

CD08/0A-020C1

connectors

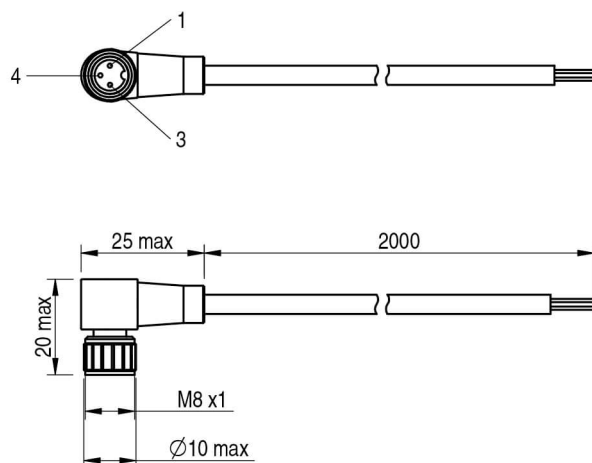


Micro Detectors

Italian Sensors Technology



Indicative image



Electrical data

Nominal current	4 A
Led	no
Wires	3
Rated impulse voltage	0,8 kV
Nominal voltage	Max. 60 V ac/dc

Mechanical data

Connections	With open ended wires
Tightening torque	0,4 Nm
Operating temperature	-10°C...+80°C (flexible installation) -25°C...+80°C (fixed installation)
Length (m)	2
Head type	90°
Plug	M8
Outer diameter	Ø 4,5 mm ± 5%
Jacket material	PVC
Wire isolation	PVC
Conductors section	0,25 mm ² (32 x 0,10 mm ²)
Model	Femmina

ELECTRICAL DIAGRAMS OF THE CONNECTIONS

BN/1

BU/3

BK/4

M.D.Micro Detectors S.p.A.

Strada S.Caterina, 235
41122 Modena (MO)
Tel. 059 420411
Fax 059 253973
E-mail info@microdetectors.com

date of printing

19/11/2020 11:40:58