

QMIS/OP-0A

cubic photosensors

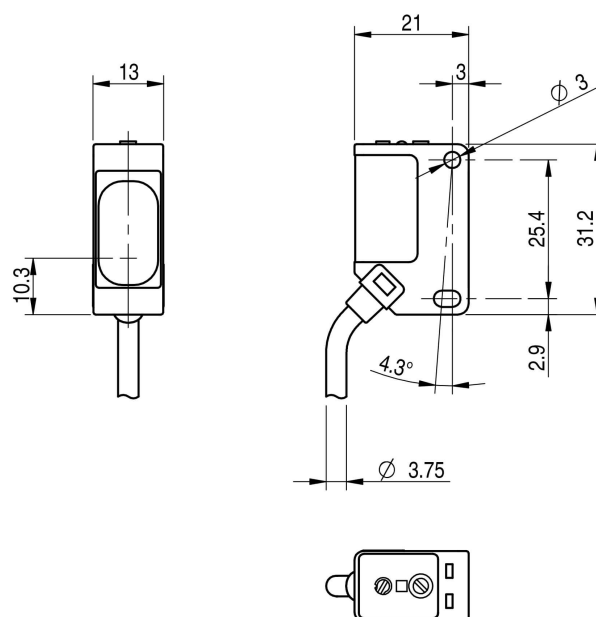


Micro Detectors

Italian Sensors Technology



Indicative image



Detection properties

Nominal sensing distance 30..400mm white target 90% Kodak 200x200mm

Thermal drift of Sr $\leq 10\%$ Sr

Repeat Accuracy 5%

Sensitivity adjustment Trimmer

Application

Function Principle Background suppression

Notes White target 90% Kodak 200x200mm

Optic position 90°

Outputs

Output type PNP

Output Function Lon/Don selectable

Switching frequency 1kHz

Electrical data

| | |
|----------------------------------|--|
| Operating Voltage | 10...30Vdc |
| No-Load supply current | ≤30mA |
| Load current | ≤100mA |
| Leakage current | ≤10μA |
| Output voltage drop | 2V max. IL =100 mA |
| Max ripple content | 10% |
| LED indicators | Yellow (status output) |
| Time delay before availability | ≤200ms |
| Short-circuit protection | Yes |
| Reverse Polarity Protection | Yes |
| Emission | Infrared (850 nm) |
| Interference to external light | 3000lux (incandescent lamp), 10000lux (sunlight) |
| Impulsive Overvoltage Protection | Yes |

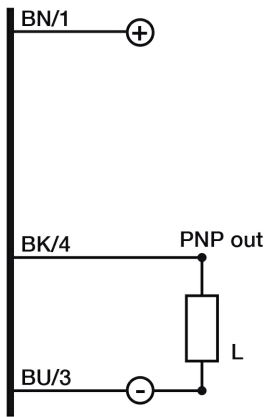
Mechanical data

| | |
|-----------------------|-----------------------------------|
| Dimensions | 31,2x21x13mm |
| Weight | 52g |
| Housing Material | PA66 |
| Connections | 2m PVC cable |
| Active Head Material | PMMA |
| Tightening torque | 1Nm |
| Operating temperature | - 25°C...+ 70° C (Without freeze) |
| Storage temperature | - 30°C...+ 80° C (Without freeze) |
| Diameter/Dimension | Cubic |

Test/Approvals

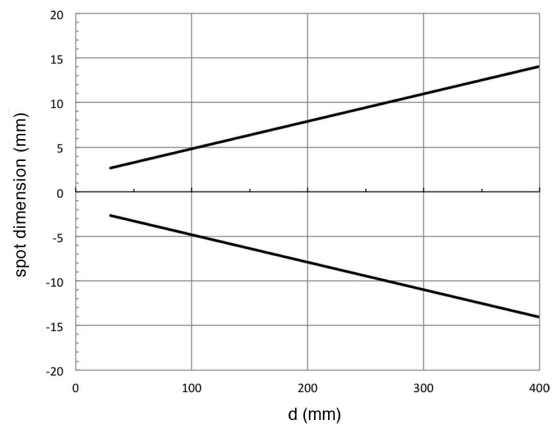
| | |
|-----------------------|--|
| Approvals | CE cULus |
| EMC compatibility | EN 60947-5-2 |
| Shocks and vibrations | Vibration IEC 60068-2-6 / Shock IEC 60068-2-27 |
| Degree of protection | IP67 |

ELECTRICAL DIAGRAMS OF THE CONNECTIONS

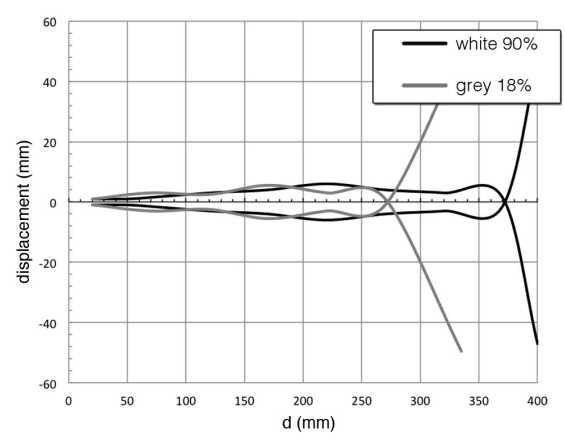


RESPONSE CURVES

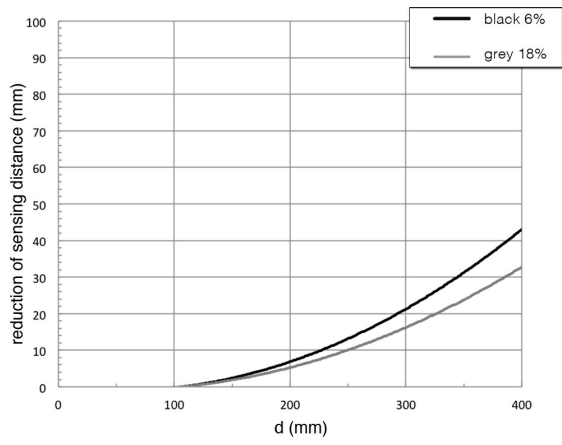
Dimensione Spot



Disassamento Parallelo



Riduzione distanza di rilevamento



M.D.Micro Detectors S.p.A.

Strada S.Caterina, 235

41122 Modena (MO)

Tel. 059 420411

Fax 059 253973

E-mail info@microdetectors.com

date of printing

19/11/2020 11:39:20