

CQ55/BP-3A

capacitive

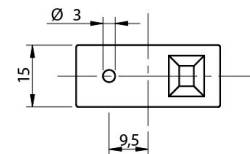
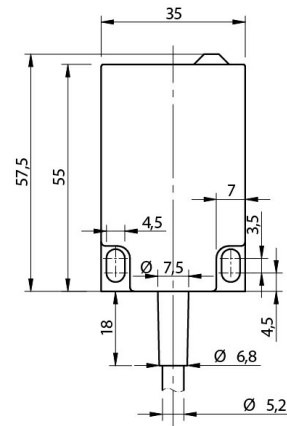


Micro Detectors

Italian Sensors Technology



Indicative image



Detection properties

Nominal sensing distance	4...25mm
Thermal drift of Sr	< 20%
Repeat Accuracy	5%
Sensitivity adjustment	Yes
Hysteresis	≤ 20%

Outputs

Output type	PNP
Output Function	NO + NC
Switching frequency	50Hz

Electrical data

Operating Voltage	10...40Vdc
No-Load supply current	≤ 10mA
Load current	≤200mA
Leakage current	≤ 10μA
Output voltage drop	2,5Vmax @IL=200mA
Max ripple content	≤10%
LED indicators	Yellow LED (object detected)

Time delay before availability	≤100ms
Short-circuit protection	Yes, autoreset
Reverse Polarity Protection	Yes
Impulsive Overvoltage Protection	Yes

Mechanical data

Mounting	Unshielded
Dimensions	55x35x15mm
Weight	150g
Housing Material	PC
Connections	2m PVC cable
Active Head Material	PC
Operating temperature	-25°C...+80°C (without freeze)
Storage temperature	-40°C...+85°C
Diameter/Dimension	55x35x15mm

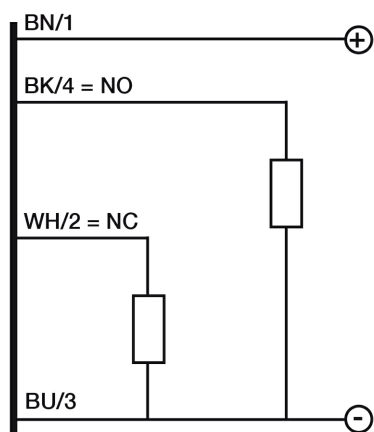
Test/Approvals

Approvals	CE cULus
EMC compatibility	IEC 60947-5-2
Degree of protection	IP67

Accessories

Supplied Accessories	screw driver
----------------------	--------------

ELECTRICAL DIAGRAMS OF THE CONNECTIONS



M.D.Micro Detectors S.p.A.

Strada S.Caterina, 235

41122 Modena (MO)

Tel. 059 420411

Fax 059 253973

E-mail info@microdetectors.com

date of printing

18/11/2020 15:11:56