

CQ50/AP-3A

capacitive

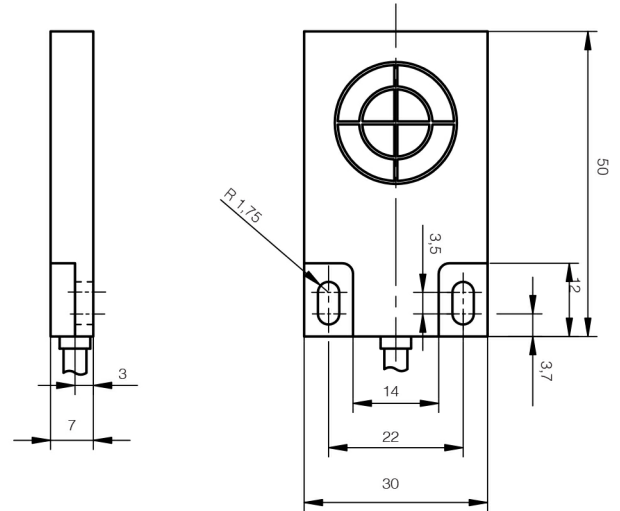


Micro Detectors

Italian Sensors Technology



Indicative image



Detection properties

| | |
|--------------------------|-------|
| Nominal sensing distance | 7mm |
| Thermal drift of Sr | < 20% |
| Repeat Accuracy | 5% |
| Sensitivity adjustment | NO |
| Hysteresis | ≤ 20% |

Outputs

| | |
|---------------------|------|
| Output type | PNP |
| Output Function | NO |
| Switching frequency | 10Hz |

Electrical data

| | |
|-------------------|-----------|
| Operating Voltage | 10..30Vdc |
|-------------------|-----------|

| | |
|----------------------------------|-------------------|
| No-Load supply current | ≤ 10mA |
| Load current | ≤50mA |
| Leakage current | ≤ 100μA |
| Output voltage drop | 1,5Vmax @ IL=50mA |
| Max ripple content | ≤10% |
| Time delay before availability | ≤100ms |
| Short-circuit protection | Yes, autoreset |
| Reverse Polarity Protection | Yes |
| Impulsive Overvoltage Protection | Yes |

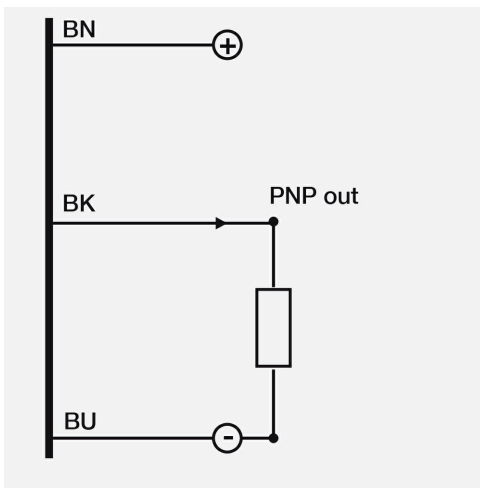
Mechanical data

| | |
|-----------------------|---------------------------|
| Mounting | Shielded |
| Dimensions | 50x30x7mm |
| Weight | 70g |
| Housing Material | noryl |
| Connections | 2m PVC cable |
| Active Head Material | noryl |
| Operating temperature | 0...60°C (without freeze) |
| Storage temperature | -30°C...+75°C |
| Diameter/Dimension | 50x30x7mm |

Test/Approvals

| | |
|----------------------|---------------|
| Approvals | CE |
| EMC compatibility | IEC 60947-5-2 |
| Degree of protection | IP67 |

ELECTRICAL DIAGRAMS OF THE CONNECTIONS



M.D. Micro Detectors S.p.A.

Strada S. Caterina, 235

41122 Modena (MO)

Tel. 059 420411

Fax 059 253973

E-mail info@microdetectors.com

date of printing

18/11/2020 14:52:04