

# C12P/00-3E

capacitive

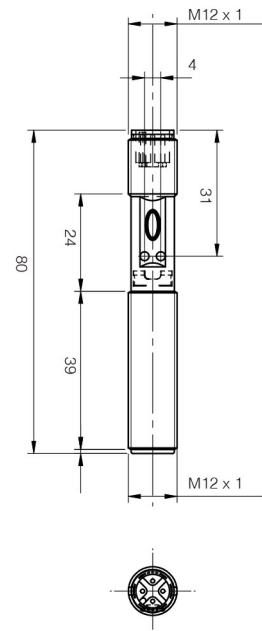


Micro Detectors

Italian Sensors Technology



Indicative image



## Detection properties

Nominal sensing distance 0,5...4mm shielded; 0,5...8mm unshielded

Thermal drift of Sr < 20%

Repeat Accuracy 5%

Sensitivity adjustment Ja - auto teach

Hysteresis ≤ 20%

## Outputs

Output type PNP + NPN

Output Function NO + NC

Switching frequency ≤ 15Hz

## Electrical data

Operating Voltage 10...40Vdc

No-Load supply current ≤ 12mA

Load current ≤ 200mA

Leakage current ≤ 300µA

Output voltage drop ≤ 2,5V @ IL = 200mA

Max ripple content ≤ 10%

LED indicators Yellow LED (object detected), green LED power supply/stability

Time delay before availability	≤ 200ms
Short-circuit protection	polarity reversal, overvoltage
Reverse Polarity Protection	Yes
Impulsive Overvoltage Protection	Yes

## Mechanical data

Mounting	Shielded/Unshielded
Dimensions	M12 x 1 / L = 80mm
Weight	30g
Housing Material	Polyester
Connections	M12 plug
Active Head Material	thermoplastic polyester
Operating temperature	-35°C...+85°C (without freeze)
Storage temperature	-40°C...+85°C
Diameter/Dimension	M12

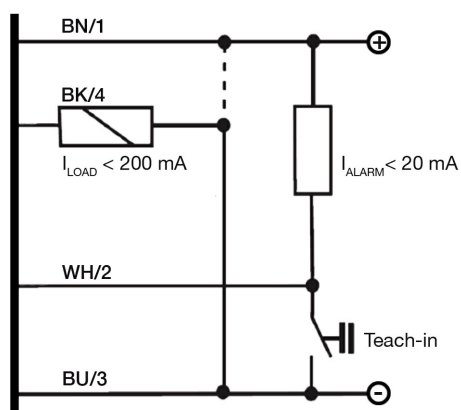
## Test/Approvals

Approvals	CE cULus
EMC compatibility	IEC 60947-5-2
Shocks and vibrations	Vibration IEC 60068-2-6 / Shock IEC 60068-2-27
Degree of protection	IP67

## Accessories

Supplied Accessories	2 x M12 nuts
----------------------	--------------

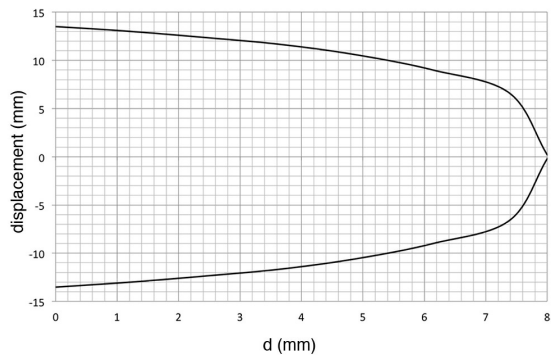
# ELECTRICAL DIAGRAMS OF THE CONNECTIONS



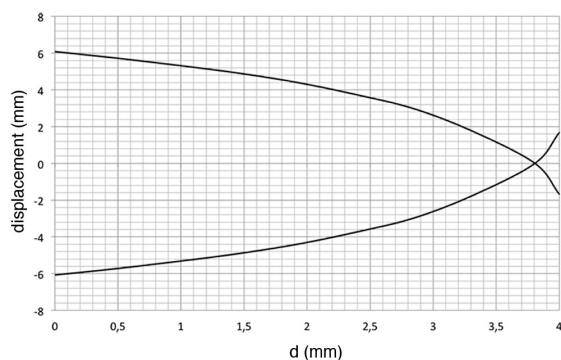
# RESPONSE CURVES

---

## Non schermato



## Schermato



---

**M.D. Micro Detectors S.p.A.**

Strada S. Caterina, 235

41122 Modena (MO)

Tel. 059 420411

Fax 059 253973

E-mail [info@microdetectors.com](mailto:info@microdetectors.com)

**date of printing**

18/11/2020 13:39:19