

IL5/AP-3A

miniaturized cubic inductive

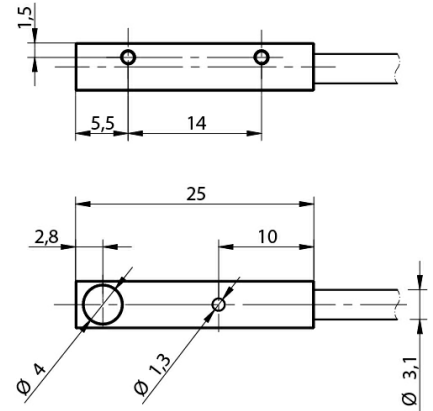
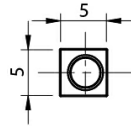


Micro Detectors

Italian Sensors Technology



Indicative image



Detection properties

Nominal sensing distance	1,5mm
Operanting distance	0...1,21mm
Standard target	5x5mm FE360
Correction Factor	copper: $0,37 \pm 10\%$ / aluminium: $0,30 \pm 10\%$ / brass: $0,40 \pm 10\%$ / stainless steel: $0,67 \pm 10\%$
Thermal drift of Sr	< 10%
Repeat Accuracy	5% (UB 24V Ta=23°C $\pm 5^\circ\text{C}$)
Hysteresis	1 ... 20%

Outputs

Output type	PNP
Output Function	NO
Switching frequency	$\leq 7\text{kHz}$

Electrical data

Operating Voltage	10...30Vdc
No-Load supply current	$\leq 10\text{mA}$
Load current	$\leq 100\text{mA}$
Leakage current	$\leq 10\mu\text{A}$
Output voltage drop	$\leq 1,5\text{V @}100\text{mA}$

Max ripple content	≤10%
LED indicators	Blue LED output state
Time delay before availability	≤ 50ms
Short-circuit protection	Yes
Reverse Polarity Protection	Yes
Protection against inductive loads	Yes

Mechanical data

Mounting	Shielded
Dimensions	5 x 5 / L = 25mm
Weight	35g
Housing Material	AISI 303 Stainless Steel
Connections	2m PUR Cable
Active Head Material	PBT
Operating temperature	-25°C...+70°C
Diameter/Dimension	5x5x25mm

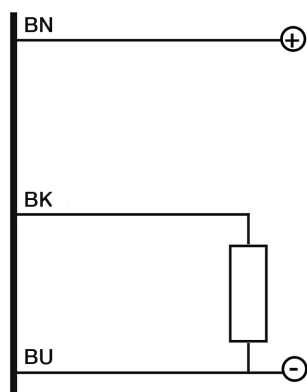
Test/Approvals

Approvals	CE cULus
EMC compatibility	IEC 60947-5-2
Shocks and vibrations	Vibration IEC 60068-2-6 / Shock IEC 60068-2-27
Degree of protection	IP67

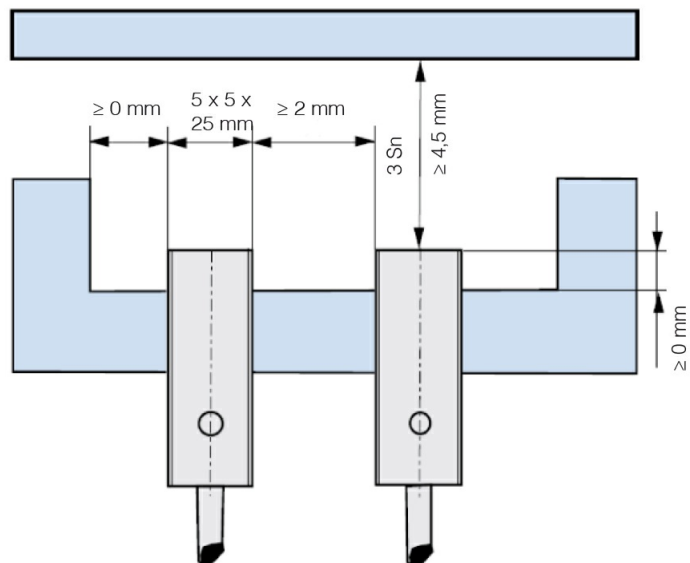
Accessories

Supplied Accessories	2 Screws M1.6x0.35L10
----------------------	-----------------------

ELECTRICAL DIAGRAMS OF THE CONNECTIONS

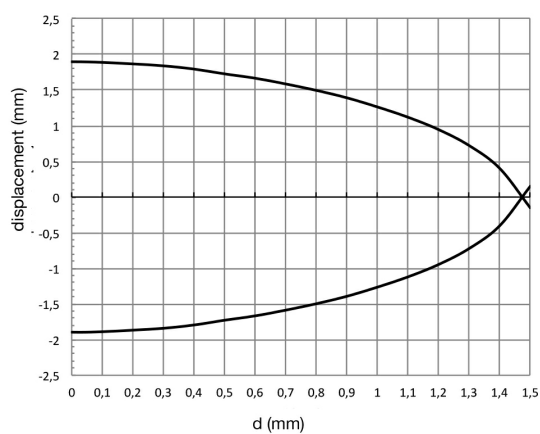


INSTALLATION



RESPONSE CURVES

Disassamento Parallelo



M.D. Micro Detectors S.p.A.

Strada S. Caterina, 235

41122 Modena (MO)

Tel. 059 420411

Fax 059 253973

date of printing

18/11/2020 08:21:33

