

FGRHD/0N-0A

cubic photosensors

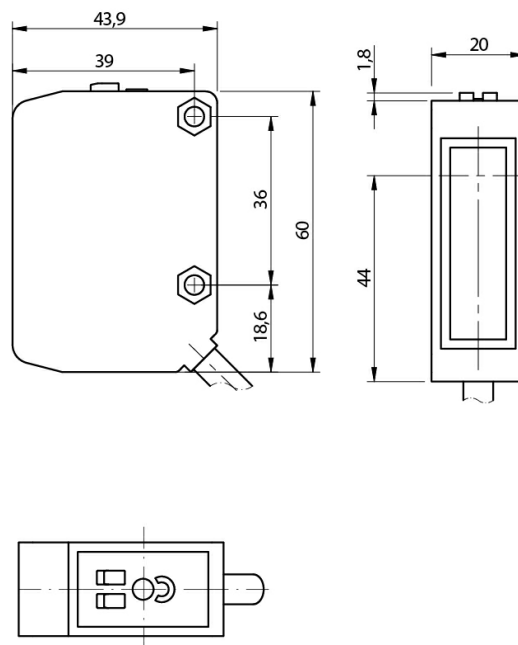


Micro Detectors

Italian Sensors Technology



Indicative image



Detection properties

Nominal sensing distance

50m

Sensitivity adjustment

Potentiometer 2 turns with position indicator (emitter)

Application

Function Principle

Emitter + Receiver

Emitter Code

FGRH/00-0E

Receiver Code

FGRD/0P-0E

Outputs

Output type

NPN

Output Function

LO/DO selezionabile

Switching frequency

1kHz

Electrical data

Operating Voltage	10...30Vdc
No-Load supply current	≤ 35mA (emitter), ≤ 20mA (receiver)
Load current	≤ 100mA (ricevitore)
Output voltage drop	1.8V max @ 100mA (receiver)
Max ripple content	5Vpp
LED indicators	Indicatore led rosso
Short-circuit protection	Short circuit, overcurrent, overvoltage
Reverse Polarity Protection	Sì
Emission	Red led
Interference to external light	10,000Lux (minimum sunlight), 3,000 min HF lamp
Impulsive Overvoltage Protection	Sì

Mechanical data

Dimensions	20x44,9x60mm
Weight	300g
Housing Material	ABS
Connections	2m PVC cable
Active Head Material	PMMA
Operating temperature	-25°C...+55°C
Material	ABS
Diameter/Dimension	Cubic

Test/Approvals

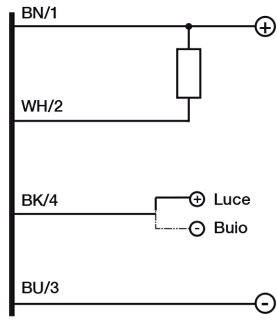
Approvals	CE - UR
EMC compatibility	EN 60947-5-2
Shocks and vibrations	Vibration IEC 60068-2-6 / Shock IEC 60068-2-28
Degree of protection	IP67

Accessories

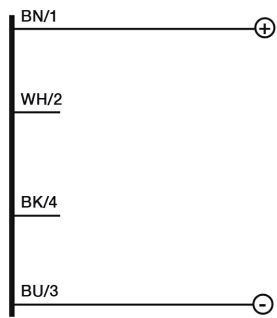
Supplied Accessories	Mounting bracket STFG 00
----------------------	--------------------------

ELECTRICAL DIAGRAMS OF THE CONNECTIONS

FGRD/0N



FGRH/00



M.D.Micro Detectors S.p.A.

Strada S.Caterina, 235
41122 Modena (MO)
Tel. 059 420411
Fax 059 253973
E-mail info@microdetectors.com

date of printing

17/11/2020 08:18:13