

Q50I8/0T-0A

cubic photosensors

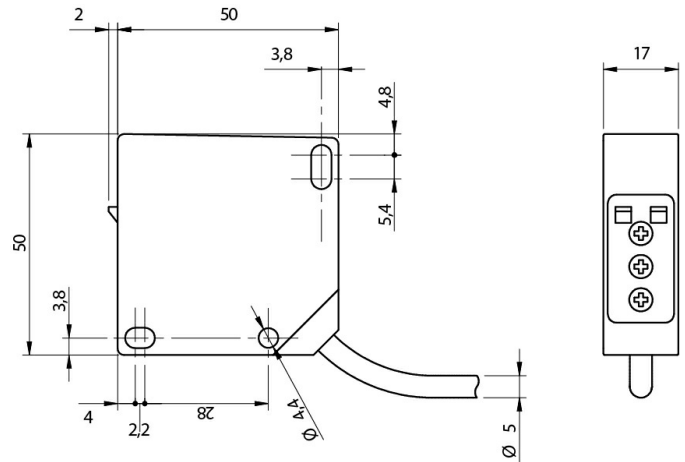


Micro Detectors

Italian Sensors Technology



Indicative image



Detection properties

Nominal sensing distance	0.3...2m
Sensitivity adjustment	Single-turn potentiometer

Application

Function Principle	Diffuse reflection (long distance, >600mm)
Optic position	Axial

Outputs

Output type	Relay SPDT
Output Function	NO + NC
Switching frequency	20Hz

Electrical data

Operating Voltage	12...240Vdc / 24...240Vac/50-60Hz
No-Load supply current	2,5VA (relay ON)
Short-circuit protection	Yes
Reverse Polarity Protection	Yes
Emission	Infrared

Mechanical data

Dimensions	50X50mm
Weight	200g

Connections	2m PVC cable
Active Head Material	PMMA
Operating temperature	- 20°C...+ 60°C (UL omologation 0°C...60°C)
Material	PC/ABS
Diameter/Dimension	Cubic

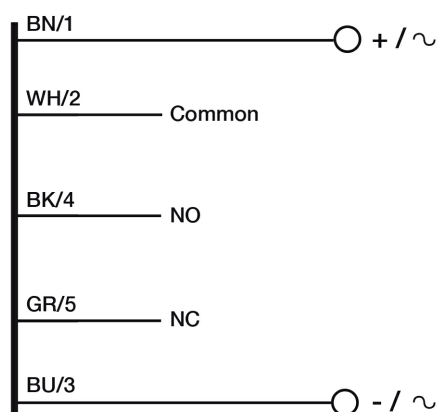
Test/Approvals

EMC compatibility	EN 60947-5-2
Shocks and vibrations	Vibration IEC 60068-2-6 / Shock IEC 60068-2-53
Degree of protection	IP67

Accessories

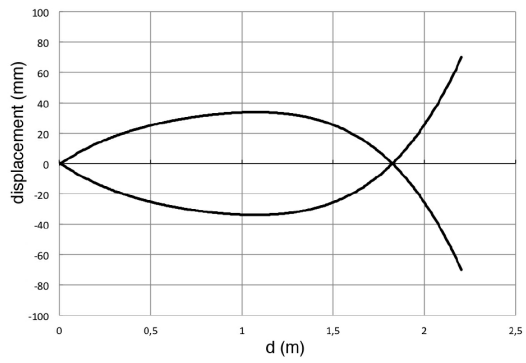
Supplied Accessories	Mounting bracket included
----------------------	---------------------------

ELECTRICAL DIAGRAMS OF THE CONNECTIONS



RESPONSE CURVES

Disassamento Parallelo



M.D. Micro Detectors S.p.A.

Strada S. Caterina, 235

41122 Modena (MO)

Tel. 059 420411

Fax 059 253973

E-mail info@microdetectors.com

date of printing

17/11/2020 08:16:50