

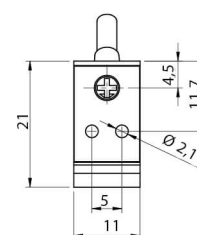
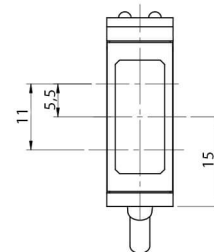
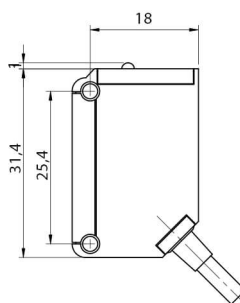
QFI4/BP-1A

cubic photosensors



Micro Detectors

Italian Sensors Technology



Indicative image



Detection properties

Nominal sensing distance 200mm (wide angle) white target 90% Kodak 100x100mm

Repeat Accuracy 5%

Sensitivity adjustment Trimmer

Application

Function Principle Diffuse reflection (short distance, $\leq 200\text{mm}$)

Notes White target 90% Kodak 100x100mm

Emitter/Receiver Emitter/Receiver

Optic position 90°

Outputs

Output type PNP

Output Function NO+NC

Switching frequency	1kHz
---------------------	------

Electrical data

Operating Voltage	10-30Vdc
No-Load supply current	≤25mA
Load current	≤100mA
Leakage current	≤100μA
Output voltage drop	2V max. IL =100 mA
Max ripple content	10%
LED indicators	Yellow (status output) , green (power on, excess gain)
Time delay before availability	≤30ms
Short-circuit protection	Yes
Reverse Polarity Protection	Yes
Emission	Infrared (817nm)
Interference to external light	≤10000lux
Impulsive Overvoltage Protection	Yes

Mechanical data

Dimensions	31,4x21x11mm
Weight	100g
Housing Material	Stainless steel 316L
Connections	2m PVC cable
Active Head Material	PPSU
Operating temperature	- 25°C...+ 60° C (Without freeze)
Storage temperature	-40° ... +70°C
Diameter/Dimension	Cubic

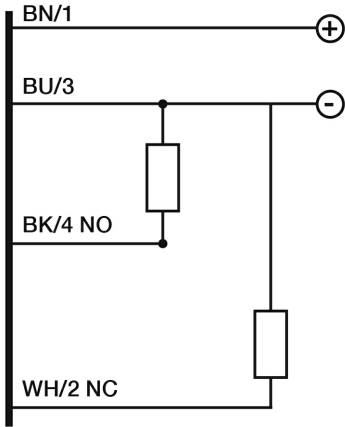
Test/Approvals

Approvals	CE cULus, ECOLAB
EMC compatibility	EN 60947-5-2
Shocks and vibrations	Vibration IEC 60068-2-6 / Shock IEC 60068-2-27
Degree of protection	IP68, IP69K

Accessories

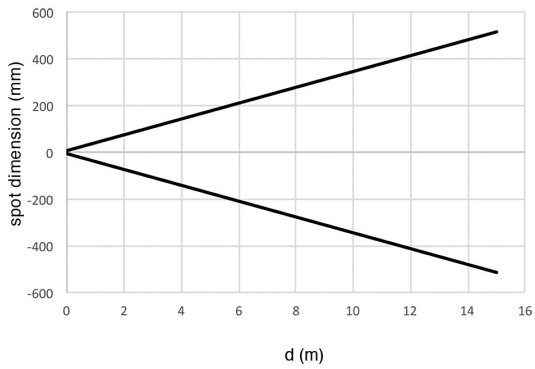
Supplied Accessories	Mouting bracket screwdriver
----------------------	-----------------------------

ELECTRICAL DIAGRAMS OF THE CONNECTIONS

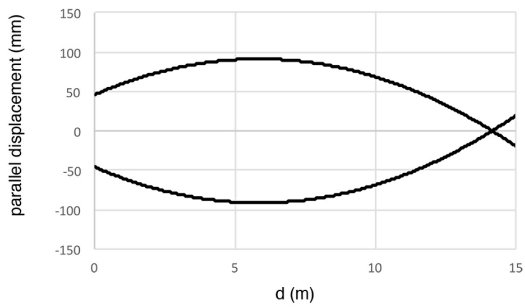


RESPONSE CURVES

Dimensione Spot



Disassamento Parallelo



M.D.Micro Detectors S.p.A.

Strada S.Caterina, 235

41122 Modena (MO)

Tel. 059 420411

Fax 059 253973

E-mail info@microdetectors.com

date of printing

16/11/2020 16:19:09