

SA2/0N-1K

cylindrical photosensors

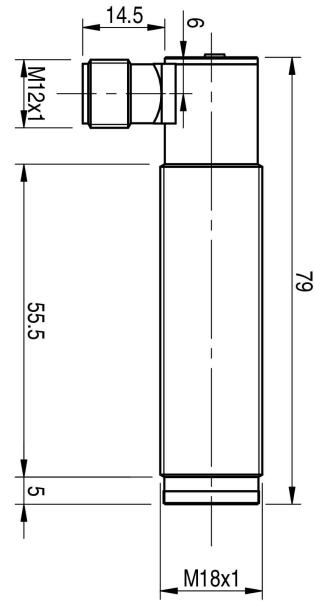


Micro Detectors

Italian Sensors Technology



Indicative image



Detection properties

Nominal sensing distance	150mm
Thermal drift of Sr	10% Sr
Repeat Accuracy	5%
Sensitivity adjustment	Trimmer

Application

Function Principle	Diffuse reflection (short distance, $\leq 200\text{mm}$)
Notes	With 100x100 mm white matt paper
Optic position	Axial

Outputs

Output type	NPN
Output Function	LO/DO selectable

Switching frequency 1kHz

Electrical data

Operating Voltage	10...30Vdc
No-Load supply current	≤30mA
Load current	≤100mA
Leakage current	≤10μA
Output voltage drop	≤2V IL=100mA
Max ripple content	≤ 10%
LED indicators	Yellow (output energized), green (supply), red (activated output)
Time delay before availability	200ms
Short-circuit protection	Yes
Reverse Polarity Protection	Yes
Emission	Infrared (880nm)
Interference to external light	3.000lux (incandescent lamp), 10.000lux (sunlight)

Mechanical data

Dimensions	21,4mmx90mm
Weight	100g
Housing Material	Nickel-plated brass / Nylon plug
Connections	M12 right angle plug cable exit
Active Head Material	PMMA
Tightening torque	25Nm
Operating temperature	- 25°C...+ 70° C (without freeze)
Diameter/Dimension	M18

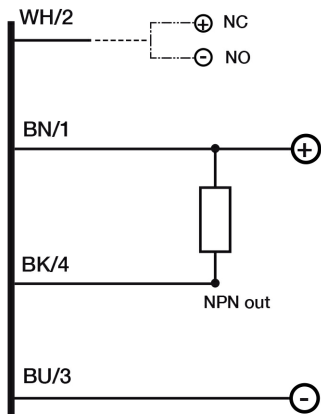
Test/Approvals

Approvals	CE
EMC compatibility	EN 60947-5-2
Shocks and vibrations	Vibration IEC 60068-2-6 / Shock IEC 60068-2-27
Degree of protection	IP67

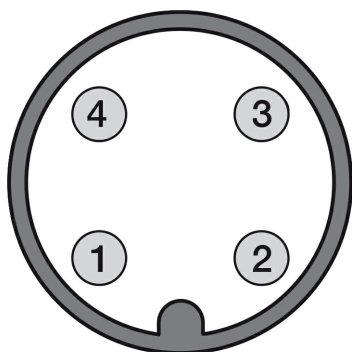
Accessories

Supplied Accessories Metallic nut (2x)

ELECTRICAL DIAGRAMS OF THE CONNECTIONS

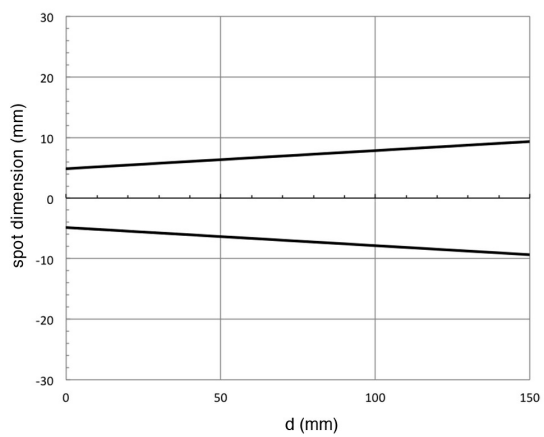


CONNECTOR

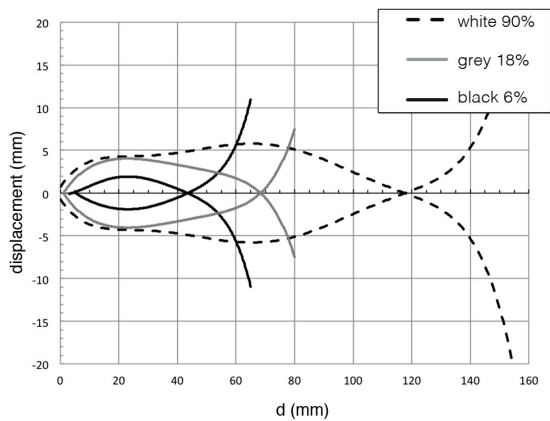


RESPONSE CURVES

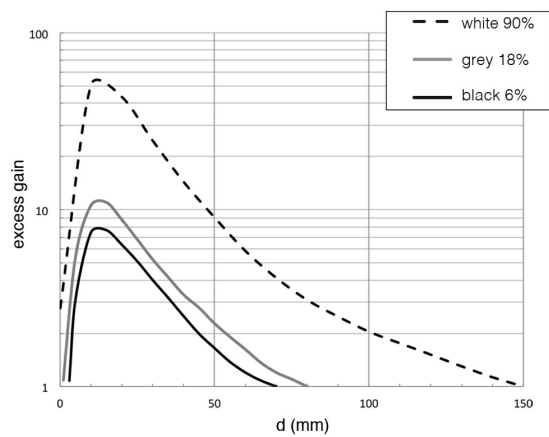
Dimensione Spot



Disassamento Parallelo



Eccesso di Guadagno



M.D. Micro Detectors S.p.A.

Strada S. Caterina, 235

41122 Modena (MO)

Tel. 059 420411

Fax 059 253973

E-mail info@microdetectors.com

date of printing

16/11/2020 15:38:16