

H8R/1

cylindrical photosensors

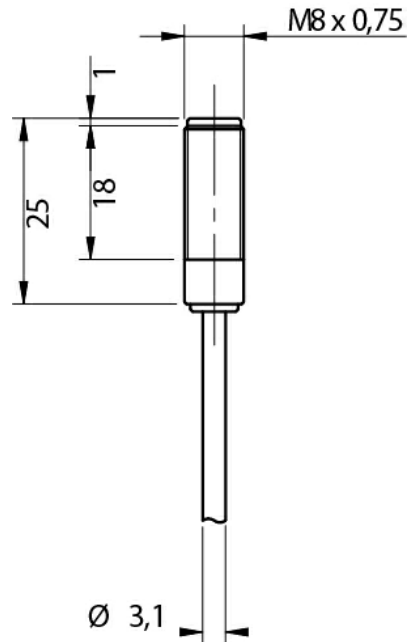


Micro Detectors

Italian Sensors Technology



Indicative image



Detection properties

Nominal sensing distance	80mm
Sensitivity adjustment	No

Application

Function Principle	Receiver
Emitter/Receiver	Receiver
Optic position	Axial

Outputs

Output type	Open collector
Switching frequency	50kHz

Electrical data

Operating Voltage	≤30Vdc
Load current	≤2,5mA
Output voltage drop	≤0,2V IL=2,5mA
Max ripple content	≤1%
Emission	Infrared (880nm)
Interference to external light	150lux (incandescent lamp)

Mechanical data

Dimensions	M8x0,75/L=25mm
Weight	63g
Housing Material	Stainless Steel AISI 303
Connections	2m PVC cable
Active Head Material	PMMA
Operating temperature	- 25°C...+ 70° C (without freeze)

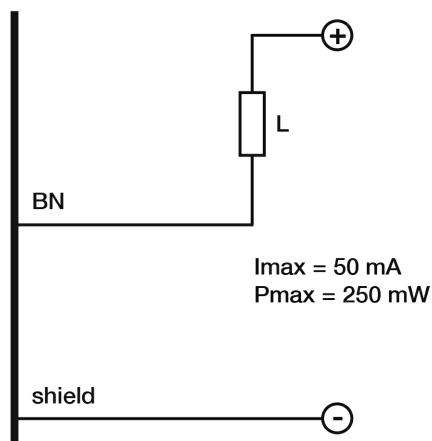
Test/Approvals

Approvals	CE
EMC compatibility	EN 60947-5-2
Shocks and vibrations	Vibration IEC 60068-2-6 / Shock IEC 60068-2-27
Degree of protection	IP67

Accessories

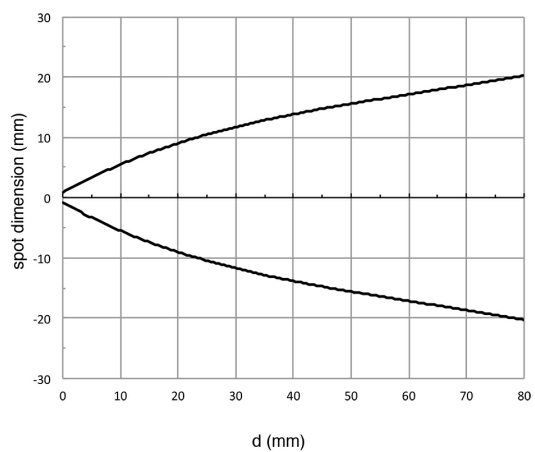
Supplied Accessories	Metallic nut (2x)
----------------------	-------------------

ELECTRICAL DIAGRAMS OF THE CONNECTIONS

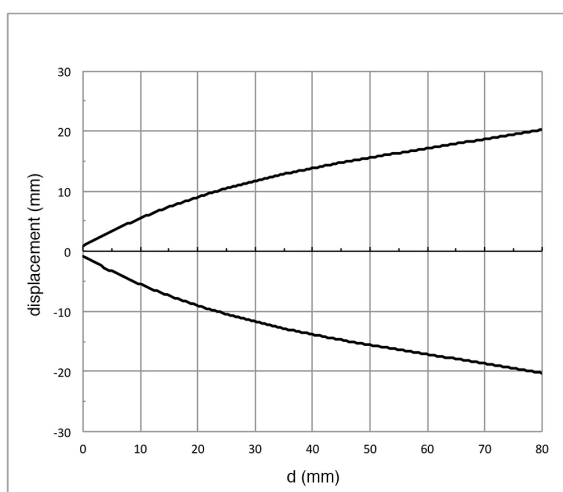


RESPONSE CURVES

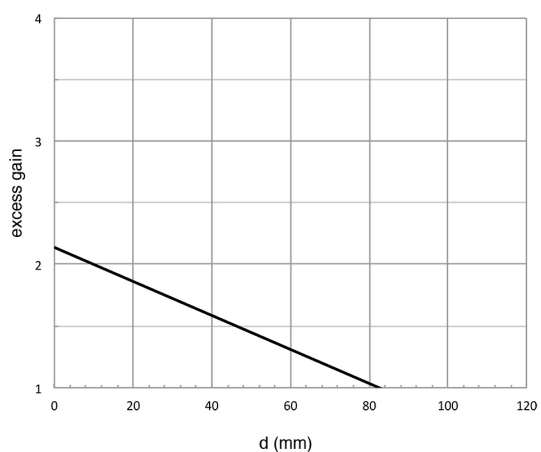
Dimensione Spot



Disassamento Parallelo



Eccesso di Guadagno



Fax 059 253973

E-mail info@microdetectors.com