

AE6/AP-1A

cylindrical inductive

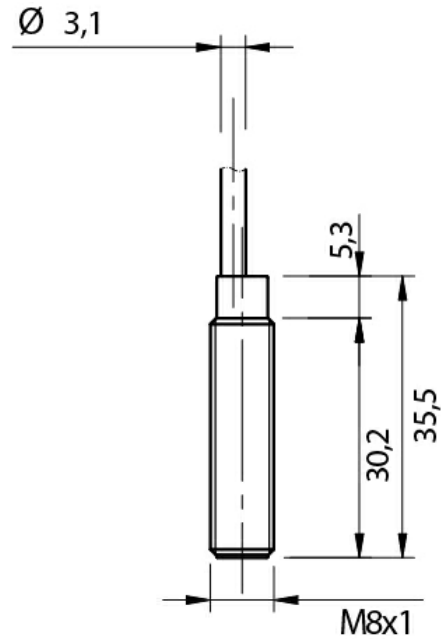


Micro Detectors

Italian Sensors Technology



Indicative image



Detection properties

| | |
|--------------------------|--|
| Nominal sensing distance | 1,5mm |
| Operanting distance | 0...1,21mm |
| Standard target | 8x8mm FE360 |
| Correction Factor | copper: 0,29 / aluminium: 0,38 / brass: 0,49 / stainless steel: 0,78 |
| Thermal drift of Sr | < 10% |
| Repeat Accuracy | 5% (UB 24V Ta=23°C \pm 5°C) |
| Hysteresis | 1 ... 20% |

Outputs

| | |
|---------------------|------|
| Output type | PNP |
| Output Function | NO |
| Switching frequency | 5kHz |

Electrical data

| | |
|------------------------|---------------------|
| Operating Voltage | 10...30Vdc |
| No-Load supply current | ≤ 10 mA |
| Load current | ≤ 200 mA |
| Leakage current | ≤ 10 μ A |
| Output voltage drop | $\leq 1,8$ V @200mA |

| | |
|------------------------------------|-------------------------|
| Max ripple content | ≤10% |
| LED indicators | Yellow LED output state |
| Time delay before availability | ≤ 50ms |
| Short-circuit protection | Yes |
| Reverse Polarity Protection | Yes |
| Protection against inductive loads | Yes |

Mechanical data

| | |
|-----------------------|---------------------|
| Mounting | Shielded |
| Dimensions | M8 x 1 / L = 35,5mm |
| Weight | 45g |
| Housing Material | Nickel-plated brass |
| Connections | 2m PVC Cable |
| Active Head Material | PBT |
| Tightening torque | 3Nm |
| Operating temperature | -25°C...+70°C |
| Diameter/Dimension | M8 |

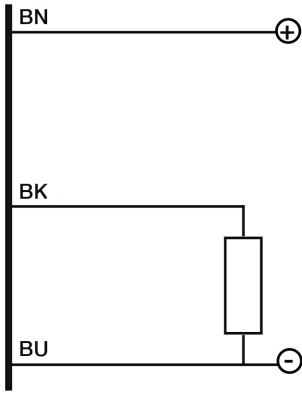
Test/Approvals

| | |
|-----------------------|--|
| Approvals | CE UR |
| EMC compatibility | IEC 60947-5-2 |
| Shocks and vibrations | Vibration IEC 60068-2-6 / Shock IEC 60068-2-27 |
| Degree of protection | IP67 |

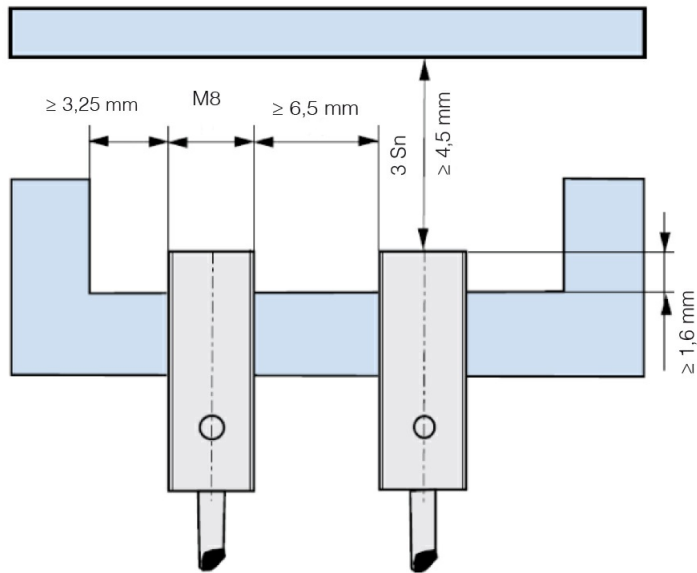
Accessories

| | |
|----------------------|-------------|
| Supplied Accessories | 2 nuts M8x1 |
|----------------------|-------------|

ELECTRICAL DIAGRAMS OF THE CONNECTIONS

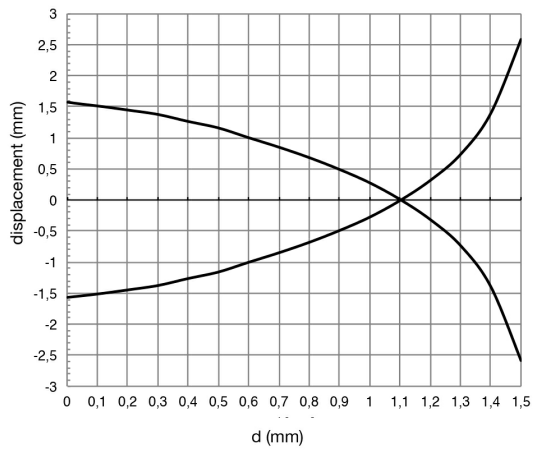


INSTALLATION



RESPONSE CURVES

Disassamento Parallelo



M.D.Micro Detectors S.p.A.

Strada S.Caterina, 235

41122 Modena (MO)

Tel. 059 420411

Fax 059 253973

E-mail info@microdetectors.com

date of printing

13/11/2020 12:52:07