

FC4/V-00

fork sensors

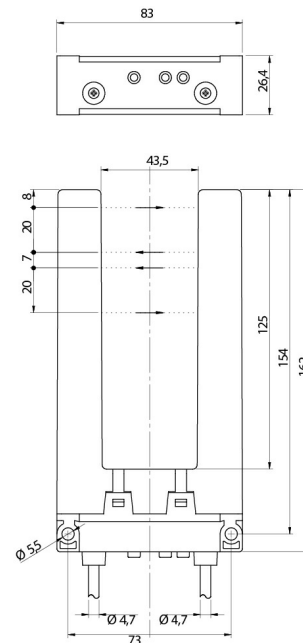


Micro Detectors

Italian Sensors Technology



Indicative image



Detection properties

Beam angle $\pm 15^\circ$

Sensibility 1 sheet of 80g/m² white paper

Tilting hysteresis 7mm

Optics diameter 3mm

Outputs

Output type 2 x complementary PNP

Switching frequency 100 hz with 1/1 dark-light

Sampling period 4ms

4 optical scan period 600µs

Response time outputs ONO and ONC 4,7ms

Response time contact output A 8ms (open); 500ms (close)

Electrical data

Operating Voltage 10...30Vdc

No-Load supply current $\leq 70\text{mA}$

Load current $\leq 300\text{mA}$

Leakage current $\leq 10\mu\text{A}$

Output voltage drop	≤ 2,5V @ Iload = 100mA
Max ripple content	< 5Vpp
Emission	infrared
Interference to external light	10000 lux (artificial light)
Optical power class	1 (no danger)
Maximum capacitance load	300mA
Test input levels (expected, but not connected)	LO ≤ 5V (or open), HI * 15V according to IEC61131-2 (2007)
VDE protection class	III (max. voltage 50VAC), 500V (insulation)
Output A (alarm)	Electromechanical contact, 1A, 30Vdc, no short circuit protection

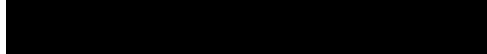
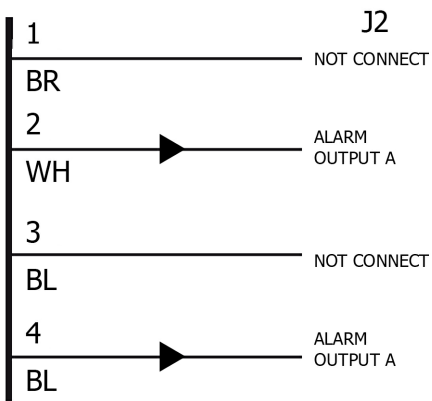
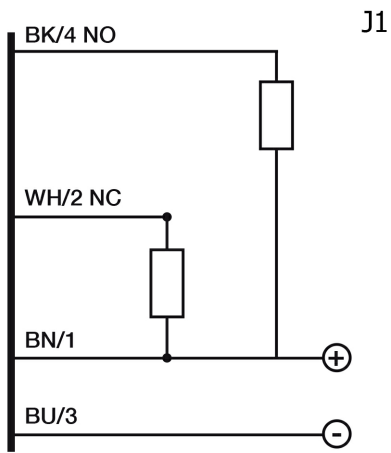
Mechanical data

Dimensions	26,4 x 83 x 162mm
Weight	200g
Housing Material	PC
Connections	2 x pigtail M12
Operating temperature	-20°C ... + 55°C
Storage temperature	-40°C ... +75°C
humidity	15% ... 95%

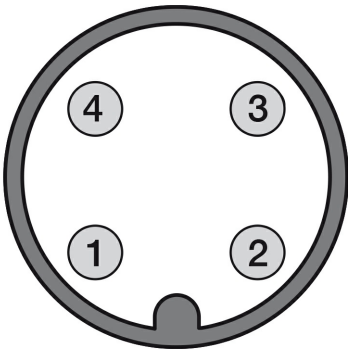
Test/Approvals

Approvals	CE
EMC compatibility	Conforming with EMC directive according with EN60947-5-2
Shocks and vibrations	shock resistance according to IEC60068-2-27: 3 axes x 6, half sine, Acc: 30g; Dur: 11s vibration resistance according IEC60068-2-6: freq:10...55hz; Ampl:0,5mm; Sweep:5min; Fr: 3x30min
Degree of protection	IP67

ELECTRICAL DIAGRAMS OF THE CONNECTIONS



CONNECTOR



M.D. Micro Detectors S.p.A.

Strada S. Caterina, 235

41122 Modena (MO)

Tel. 059 420411

Fax 059 253973

E-mail info@microdetectors.com

date of printing

13/11/2020 08:37:06