

SURFACE LIGHT

Product&Family Code: 015 026 0050

FREZYA-R



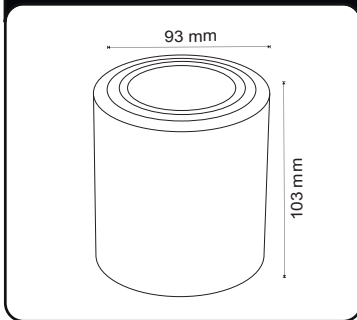
WHITE

BLACK



GU10

Technical Drawing



Technical Data

Voltage (V)	220-240V or 12V
Product Wattage (W)	Max. 50W (Max.10W for LED)
Lamp Type	GU10
WEEE Regulation Appropriate	Yes
Operation Temperature	-30 / +40
Materials	Aluminium
Protection Class	I
Dimmable	No
EEL	E to A++
IP Rating	20

Applications

- Airport, Bathroom, Bedroom, Cinema, Gallery, Hospital, Hotel, Kitchen etc.

