

Article: **FL 525-M2**
 Description: Position switch with coil spring

 Sheet: 32049-0-en-2.1.0
 Date: 09/11/2020
 Page: 1/3

Housing:

Metal housing, three threaded M20x1,5 conduit entries (FL series)

Protection degree: IP67 acc. to EN 60529 with cable gland presenting same or higher protection degree

General data:

Ambient temperature: -25°C ... +80°C

Max. actuation frequency: 3600 operating cycles/hour

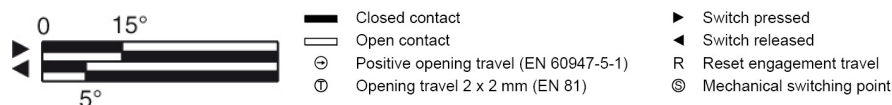
Mechanical endurance: 20 million operating cycles

Safety parameter B10D: 40,000,000 for NC contacts

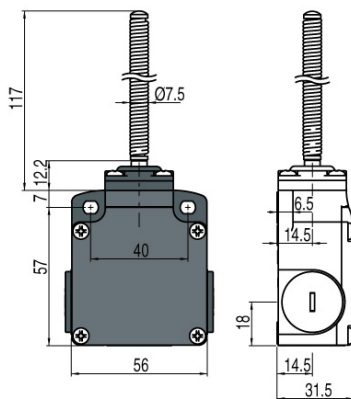
Mechanical interlock, not coded: type 1 acc. to EN ISO 14119

Contact block characteristics:

Contact block	Contact diagram	Contact design	Operation type	Positive opening	Contact type	Wire cross-section min.	Wire cross-section max.	Wire stripping length	Captive screws	Terminals with finger protection
5	1NO+1NC	Zb	snap action	yes	Double interruption, twin bridge	1 x 0.5 mm ² 1 x AWG 20	2 x 2.5 mm ² 2 x AWG 14	8 mm	yes	yes

Contact block travel diagrams:

Positive switch opening:

Device without positive opening. If installed individually, not suitable for safety applications.


Device screw tightening torques:

Cover screws: 0,8 ... 1,2 Nm

Head screws: 0,8 ... 1,2 Nm

Lever screws: 0,8 ... 1,2 Nm

Contact blocks screws: 0,6 ... 0,8 Nm

M5 fixing screws, body: 2 ... 3 Nm

Protection caps:

1,2 ... 1,6 Nm (M20/PG13,5)

1 ... 1,4 Nm (M16/PG11)

Activating forces:

Min.: 0,14 Nm

In conformity with standards:

IEC 60947-5-1, EN 60947-5-1, EN 60947-1, IEC 60204-1, EN 60204-1, EN ISO 14119, EN ISO 12100, IEC 60529, EN 60529, EN 50581, UL 508, CSA 22.2 No. 14

Approvals:

IEC 60947-5-1, UL 508, CSA 22.2 No. 14, GB/T14048.5-2017.

In conformity with requirements requested by:

Low Voltage Directive 2014/35/EU, EMC Directive 2014/30/EU, RoHS Directive 2011/65/EU.

Markings and quality marks:

Electrical data:

 Thermal current (I_{th}): 10 A

 Rated insulation voltage (U_i): 500 Vac 600 Vdc

 Rated impulse withstand voltage (U_{imp}): 6 kV

Conditional short circuit current: 1000 A according to EN 60947-5-1

Protection against short circuits: fuse 10 A 500 V type aM

Pollution degree: 3

Utilization categories:

Alternate current: AC15 (50...60 Hz)

 U_e (V) 250 400 500

 I_e (A) 6 4 1

Direct current: DC13

 U_e (V) 24 125 250

 I_e (A) 3 0.55 0.3

Article: **FL 525-M2**
 Description: Position switch with coil spring

Sheet: 32049-0-en-2.1.0

Date: 09/11/2020

Page: 2/3

Features approved by IMQ

Rated insulation voltage (Ui): 500 Vac / 400 Vac (for contact blocks 2, 11, 12, 20, 21, 22, 33, 34)
 Conventional free air thermal current (Ith): 10 A
 Protection against short circuits: type aM fuse 10 A 500 V
 Rated impulse withstand voltage (Uimp): 6 kV / 4 kV (for contact blocks 20, 21, 22, 33, 34)
 Protection degree of the housing: IP67
 MV terminals (screw terminals)
 Pollution degree: 3
 Utilization category: AC15
 Operating voltage (Ue): 400 Vac (50 Hz)
 Operating current (Ie): 3 A
 Forms of the contact element: Za, Zb, Za+Za, Y+Y, X+X, Y+Y+X, Y+Y+Y, Y+X+X
 Positive opening of contacts on contact block 5, 6, 7, 9, 11, 13, 14, 16, 18, 20, 21, 22, 33, 34, 66
 In compliance with standards: EN 60947-1, EN 60947-5-1, fundamental requirements of the Low Voltage Directive 2014/35/EU.

Features approved by UL

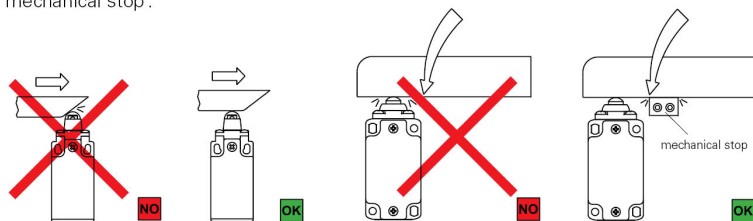
Electrical Ratings:
 Q300 pilot duty (69 VA, 125-250 V dc)
 A600 pilot duty (720 VA, 120-600 V ac)
 Environmental Ratings: Types 1, 4X, 12, 13

For all contact blocks except 2 and 3 use 60 or 75°C copper (Cu) conductors, rigid or flexible, wire size 12, 14 AWG. Tightening torque for terminal screws of 7.1 lb in (0.8 Nm).

For contact blocks 2 and 3 use 60 or 75°C copper (Cu) conductors, rigid or flexible, wire size 14 AWG. Tightening torque for Terminal screws of 12 lb in (1.4 Nm).

Mechanical stop

Acc. to EN ISO 14119 paragraph 5.2 "the position sensors must not be used as mechanical stop".



The actuator must not exceed the max. travel as indicated in the travel diagrams.

The guard must not use the switch head as a mechanical stop.

Article: **FL 525-M2**
Description: Position switch with coil spring

Sheet: 32049-0-en-2.1.0
Date: 09/11/2020
Page: 3/3

This device **does not** feature positive opening and therefore **cannot be used individually for safety functions.**