

**BEFORE USE, PLEASE READ AND FOLLOW ALL SAFETY RULES AND OPERATING INSTRUCTIONS.**

**Warning**

- To prevent damaging the door gasket, make sure to have the door all the way opened when pulling shelves out of the rail compartment.
- The appliance must be positioned so that the plug is accessible. Release the electric cord. Move your cabinet to its final location. Do not move your Cabinet while loaded with wine. You might distort the body. The wine cellar should be installed in a suitable place in order to avoid Touching the compressor with the hand.
- The appliance must be positioned so that the plug is accessible. Release the electric
- This appliance can be used by children aged from 8 years and above and persons with reduced physical, sensor and mental capabilities or lack of experience and knowledge if they have been given supervision or instruction concerning use of the appliance in a safe way and understand the hazards involved. Children shall not play with the appliance. Cleaning and user maintenance shall not be made by children without supervision.
- If the supply cord is damaged, it must be replaced by manufacturer of its Service agent or a similarly qualified person in order to avoid a hazard.

**PLEASE DON'T TRY TO PLUG INTO OR EXTENSION THE CABLE IN ANY CASE.**

## SAFETY INSTRUCTIONS

To reduce the risk of fire, electrical shock, or injury when using your appliance, follow these basic precautions:

- Read all instructions before using the Wine cooler.
- **DANGER or WARNING:** Risk of child entrapment.  
Child entrapment and suffocation are not problems of the past. Junked or abandoned appliances are still dangerous . . . even if they will "just sit in the garage a few days".
- Before you throw away your old Wine cooler: Take off the door. Leave the shelves in place so that children may not easily climb inside.
- Never allow children to operate, play with, or crawl inside the appliance.
- Never clean appliance parts with flammable fluids. The fumes can create a fire hazard or explosion.
- Do not store or use gasoline or any other flammable vapors and liquids in the vicinity of this or any other appliance. The fumes can create a fire hazard or explosion. Do not store explosive substances such as aerosol cans with a flammable propellant in this appliance.
- **WARNING:** keep ventilation openings, in the appliance enclosure or in the built-in structure, clear of obstruction;
- Do not use mechanical devices or other means to accelerate the defrosting process, other than those Recommended by the manufacturer;
- **WARNING:** To avoid a hazard due to instability of the appliance, it must be fixed in accordance with the instructions.
- **WARNING:** Do not damage the refrigerant circuit;
- **WARNING:** Do not use electrical appliances inside the food storage compartments of the appliance, unless they are the type recommended by the manufacturer.
- The refrigerant of these appliances are R600a , Flammable and explosive articles should not be put in or near the cabinet, to avoid the fire or explode caused.

**Save these instructions for later use.**

## INSTALLATION INSTRUCTIONS

### Before Using Your Wine cooler

- Remove the exterior and interior packing.
- Before connecting the Wine cooler to the power source, let it stand upright for approximately 2 hours. This will reduce the possibility of a malfunction in the cooling system from handling during transportation.
- Clean the interior surface with lukewarm water using a soft cloth.
- This appliance is intended to be used in household and similar applications such as
  - staff kitchen areas in shops, offices and other working environments;
  - farm houses and by clients in hotels, motels and other residential type environments;
  - bed and breakfast type environments;
  - catering and similar non-retail applications.
- When disposing your appliance, please choose an authorized disposal site.

### Installation of Your Wine Cooler

- This appliance is designed to be for built-in (fully recessed) (Refer to sticker location the back of this appliance).
- This appliance is intended to be used exclusively for the storage of wine.
- Place your Wine cooler on a floor that is strong enough to support it when it is fully loaded. To level your Wine cooler, adjust the front leveling leg at the bottom of the Wine cooler.
- This appliance is using flammability refrigerant. So never damage the cooling pipe work during the transportation. Locate the Wine cooler away from direct sunlight and sources of heat (stove, heater, radiator, etc.). Direct sunlight may affect the acrylic coating and heat sources may increase electrical consumption. Extreme cold ambient temperatures may also cause the unit not to perform properly.
- Avoid locating the unit in moist areas.
- Plug the Wine cooler into an exclusive, properly installed-grounded wall outlet. Do not under any circumstances cut or remove the third (ground) prong from the power cord. Any questions concerning power and/or grounding should be directed toward a certified electrician or an authorized Products service center.

### Attention

- Store wine in sealed bottles;
- Do not overload the cabinet;
- Do not open the door unless necessary;
- Do not cover shelves with aluminum foil or any other shelf material which may prevent air circulation;
- Should the Wine cooler be stored without use for long periods it is suggested, after a careful cleaning, to leave the door ajar to allow air to circulate inside the cabinet in order to avoid possible formations of condensation, mold or odors.

## Ambient Room Temperature Limits

This appliance is designed to operate in ambient temperatures specified by its temperature class marked on the rating plate.

| Class              | Symbol | Amb. Temp. range (°C) |
|--------------------|--------|-----------------------|
| Extended Temperate | SN     | +10 to+32°C           |
| Temperate          | N      | +16 to+32°C           |
| Subtropical        | ST     | +16 to+38°C           |
| Tropical           | T      | +16 to+43°C           |

## Internal LED lights

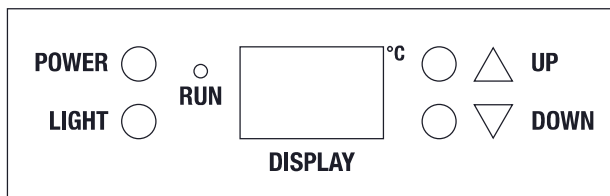
In order to reduce energy consumption, this wine cabinet will automatically switch off the LED lights after 10 minutes.

If you want the LED light to remain on continuously, this is possible. Please press and hold the **"LIGHT"** button for 5 seconds, the display will show **"LP"**. After 4 seconds the display will revert back to normal and the light will remain on until manually switched off. If you want to revert back and conserve energy (recommended), please press and hold the **"LIGHT"** button for 5 seconds, the display will show **"LF"**, after 4 seconds the display will revert back to normal, and the light will automatically switch off after 10 minutes.

## OPERATING YOUR WINE COOLER

### For SV 80 and SV 90

#### The controls of your wine Cooler



- **"RUN"** - Indicator light illuminates to signify the cooling mode is currently in operation.
- **"LIGHT"**: control the inner light turn on/off.
- **"POWER"**: control this appliance turn on/off (press and hold this buttons for approximately 3 seconds).
- **"DISPLAY"**: shows the temperature of the internal cabinet.
- **"UP"**: Used to raise(warm) the temperature in 1°C.
- **"DOWN"**: Used to lower(cool) the temperature in 1°C.

### Temperature Controls, Model SV 80

- To set the temperature connect the power cord to a properly grounded outlet. In the event of power interruption, the previous temperature setting is automatically erased and it will default to a preset temperature setting of 12°C.
- Set the desired cooling temperature by pressing the buttons adjacent to the **"UP/DOWN"** indicators. Each depression of the buttons will scroll through the available temperature setting in increments of 1 degree.
- The temperature setting can be adjusted from 5°C -18°C
- To view the actual temperature at anytime press and hold the temperature adjustment button (up or down) for approximately 5 seconds, the actual temperature will temporarily flash in the LED display for 5 seconds. After this it will revert back to the set temperature.

Flashing LED = Cabinet temperature

Steady LED = Set temperature

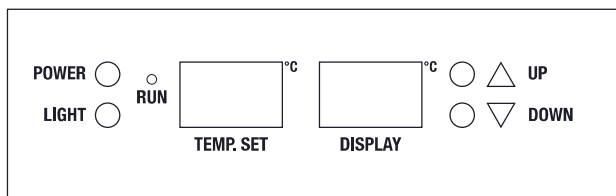
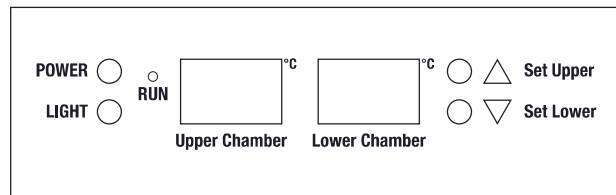
### Temperature Controls, Model SV 90

- Each cooling compartment of the wine cooler/beverage cooler (Left & Right) is independently controlled.
- To set the temperature:
  - Connect the power cord to a properly grounded outlet in the event of a power interruption, all previous temperature settings are automatically erased and each compartment will default to a preset temperature setting of:
    - 12°C - Left compartment
    - 7°C - Right compartment
  - Set the desired cooling temperature by pressing the buttons adjacent to the **"UP/DOWN"** program. Each depression of the buttons will scroll through the available temperature settings (for each compartment) in increments of 1 degree. The temperature selected will flash in the LED display for approximately 5 seconds, then revert back to display the setting temperature of the cabinet.
- Both compartments: The temperature setting can be adjusted from 5°C -18°C.

To view the actual temperature, (anytime) press and hold the corresponding button for approximately 5 seconds, the actual temperature will temporarily "flash" in the LED display for 5 seconds

### For SV 102, SV 110, SV 122

#### The controls of your wine Cooler



- **"RUN"**: Indicator light illuminates to signify the cooling mode is currently in operation.
- **"Light"**: control the inner light turn on/off.
- **"Power"**: control this appliance turn on/off.
- **"Set Upper"**: set the temperature of the upper chamber.
- **"Set Lower"**: set the temperature of the lower chamber.
- **"Up chamber"**: shows the temperature of the up chamber.
- **"Lower chamber"**: shows the temperature of the lower chamber.
- **"TEMP SET"**: shows the temperature.

### Setting the Temperature Control

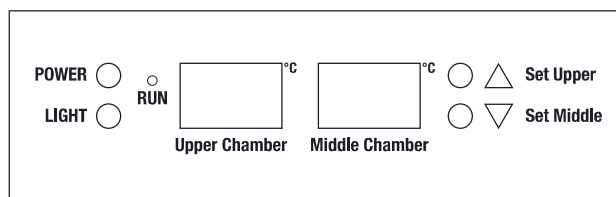
- Each cooling compartment of the wine cooler (upper & lower) is independently controlled. To set the temperature:

Connect the power cord to a properly grounded outlet. In the event of a power interruption, all previous temperature settings are automatically erased and each compartment will default to a preset temperature setting of: 7°C for upper compartment and 12°C for lower compartment.

- Temperature alarm: If the inner temperature is higher than 23°C, the “HI” is shown in the display panel, and the buzzer alarm after one hour continuously. It informs that the inner temperature is too high, please check the reason.
- Set the desired cooling temperature by pressing the buttons adjacent to the “set upper/set lower” program. Each depression of the buttons will scroll through the available temperature settings (for each compartment) in increments of 1 degree. The temperature selected will flash in the LED display for approximately 5 seconds, then revert back to display the setting temperature of the cabinet.
- **Both compartment:** The temperature setting can be adjusted from 5°C to 18°C.
- To view the actual temperature. (anytime) press and hold the corresponding button for approximately 5 seconds, the actual temperature will temporarily “flash” in the LED display for 5 seconds.

### For SV 133

#### The controls of your Wine cooler (the upper zone and middle zone)



- “**RUN**”: Indicator light illuminates to signify the cooling mode is currently in operation.
- “**Light**”: control the inner light turn on/off.
- “**Power**”: control this appliance turn on/off.
- “**Set Upper**”: set the temperature of the upper chamber.
- “**Set Middle**”: set the temperature of the middle chamber.
- “**Up Chamber**”: shows the temperature of the up chamber.
- “**Middle Chamber**”: shows the temperature of the middle chamber.

#### Setting the Temperature Control

Each cooling compartment of the wine cooler (upper & lower) is independently controlled. To set the temperature:

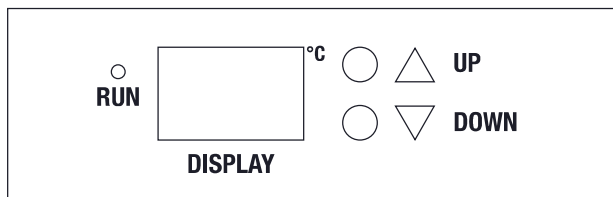
- Connect the power cord to a properly grounded outlet. In the event of a power interruption, all previous temperature settings are automatically erased and each compartment will default to a preset temperature setting of: 7°C for upper compartment and 7°C for middle compartment.
- Set the desired cooling temperature by pressing the buttons adjacent to the “Set Upper/Set Middle” program. Each depression of the buttons will scroll through the available temperature settings (for each compartment) in increments of 1 degree. The temperature selected will flash in the LED display for approximately 5 seconds, then revert back to display the setting temperature of the cabinet.

**Upper compartment:** The temperature setting can be adjusted from 5°C to 18°C.

**Middle compartment:** The temperature setting can be adjusted from 5°C to 10°C.

- To view the actual temperature (anytime) press and hold the corresponding button, the actual temperature will temporarily “flash” in the LED display for 5 seconds.

#### The controls of your Wine cooler (the Lower zone)



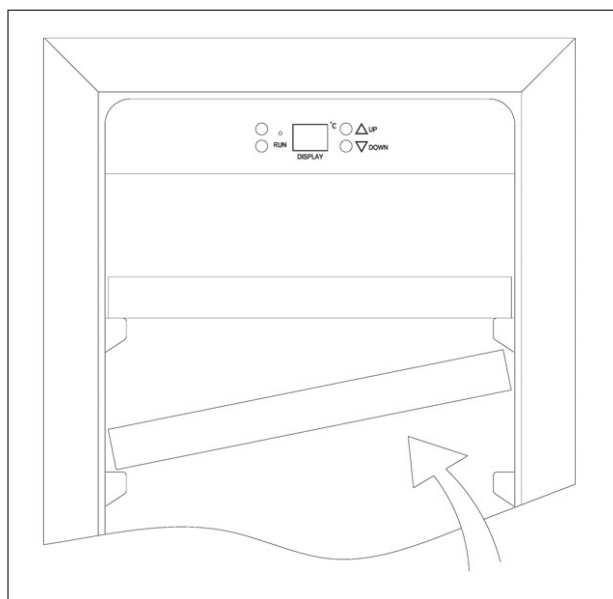
- “**Up**”: Used to raise(warm) the temperature in 1°C.
- “**Down**”: Used to lower(cool) the temperature in 1°C.
- “**Display**”: shows the temperature of the lower compartment.

#### Setting the Temperature Control

- Connect the power cord to a properly grounded outlet. In the event of a power interruption, all previous temperature settings are automatically erased and it will default to a preset temperature setting of: 12°C.
- Set the desired cooling temperature by pressing the buttons adjacent to the “UP/DOWN” program. Each depression of the buttons will scroll through the available temperature settings in increments of 1 degree. The temperature selected will flash in the LED display for approximately 5 seconds, then revert back to display the setting temperature of the cabinet.
- The temperature setting can be adjusted from 10°C to 18°C

### Shelves

- To prevent damaging the door gasket, make sure to have the door all the way opened when pulling shelves out of the rail compartment.
- For easy access to the storage content, you must pull the shelves approximately 1/3 out of the rail compartment, however this unit was designed with a notch on each sides of the shelf tracks to prevent bottles from falling.



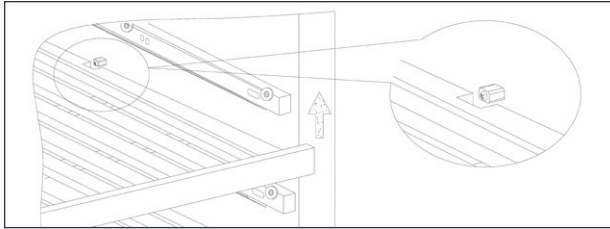
#### For SV 80/ SV 90

- When removing any of these shelves out of the rail compartment, To fit or remove the shelf, tilt the shelf as per the diagram and simply pull out, or push in the shelf until it sits on the support brackets securely.

### For SV 102/SV110/SV 122/SV 133

- Put the shelf gap(left and right) under the square plastic block, uptilt the shelf,then pull the shelf from the Wine Cooler.

#### Note



- If the unit is unplugged, power lost, or turned off, you must wait 3 to 5 minutes before restarting the unit. If you attempt to restart before this time delay, the Wine Cooler will not start.
- When you use the wine cooler for the first time or restart the wine cooler after having been shut off for a long time, there could be a few degrees variance between the temperature you select and the one indicated on the LED readout. This is normal and it is due to the length of the activation time. Once the wine cooler is running for a few hours everything will be back to normal.

## Door Lock

### (For SV 102/SV 110/SV 122/SV 133)

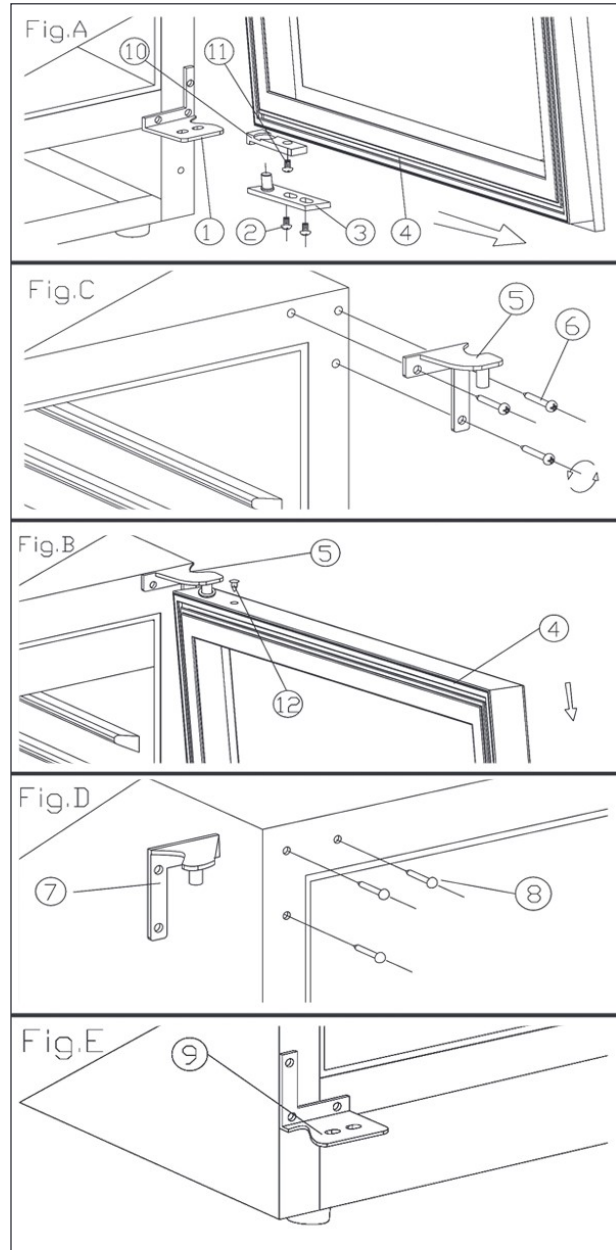
Your unit is provided with a lock and key combination.

The keys are located inside the plastic bag that contains the User's Guide. Insert the key into the lock and turn it counterclockwise to unlock the door. To lock the door do the reverse operation making sure metal pin is engaged completely. Remove the key and place it in a secure place for safekeeping.

## How to change the door opening

This appliance has reversible doors but is delivered with a right hinged door. The left hand hinge kit comes with the unit (in the box), should you wish to reverse the hinge on your unit.

### For model SV 80 and SV 90



1. Lower hinge (Right)
2. Screws
3. Door axis
4. Door
5. Top hinge (Right)
6. Hinge Screws
7. Top hinge (Left)
8. Decorative nail
9. Lower hinge (Left)
10. Door limit device
11. Screw
12. Plug

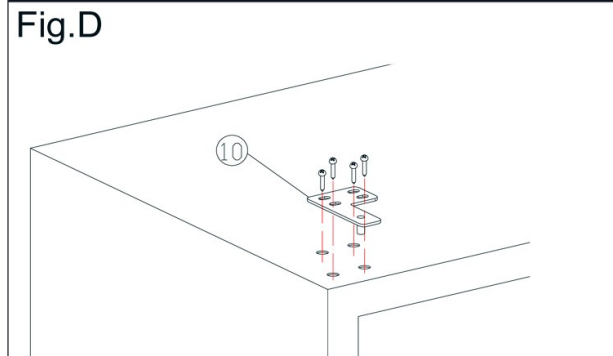
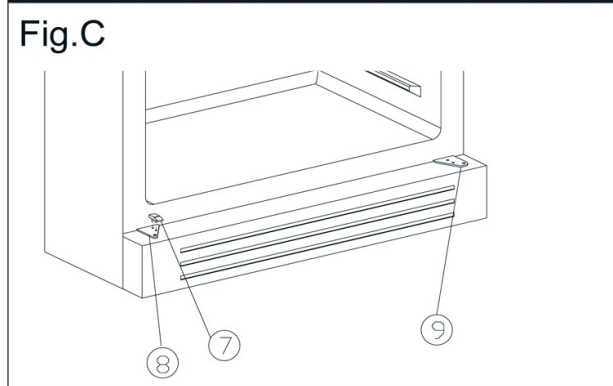
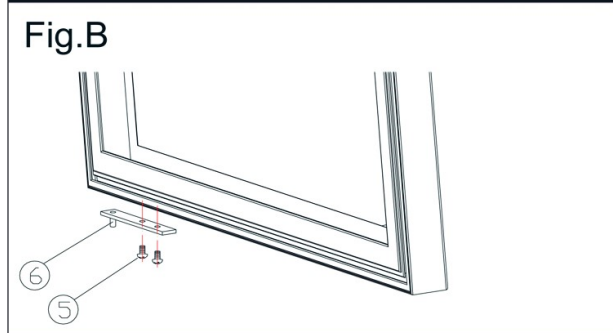
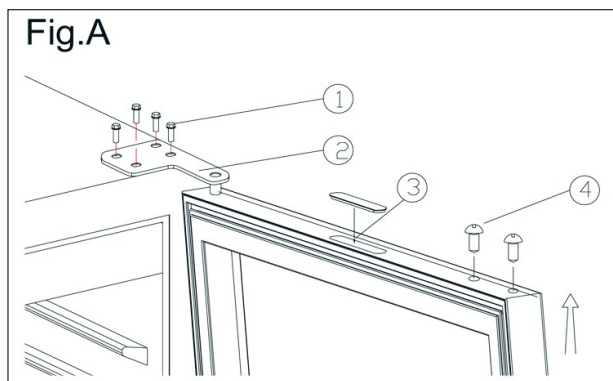
8. When open the door 90 degree, take out 2 screws (2) from lower door axis (3), remove the door (4), then pull out the door and door axis (Fig. A).
9. Put the door (4) safety and take out the plug (12) from top of door frame, unscrew 1 screw (11) at bottom and remove the Door limit device (10), then install the Door limit device (10) at top of door frame, please use spare plug (12) to block the hole at top of door frame. (Fig. A/B)
10. Take out 3 hinge screws (6) from top hinge (right) (5) and remove it. (Fig. C)
11. Remove decorative nail (8) from left top of cabinet and install spare top hinge (left) (7) at left top of cabinet with 3 screws. (Fig. D)
12. According above procedure, install spare lower hinge (left) (9). (Fig. E)
13. The door revolves 180 degrees, install the door with same way it was removed and fix it with door alignment.
14. Block the hole at right top of cabinet with spare decorative nail (8).

**For model SV 102, SV 110, SV 122 and SV 133**

1. Screws
2. Top hinge (right)
3. Lock hole decorative cover
4. Decorative nail
5. Screws
6. Door axis(right)
7. Door bracket
8. Lower hinge (left)
9. Lower hinge (right)
10. Top hinge (left)

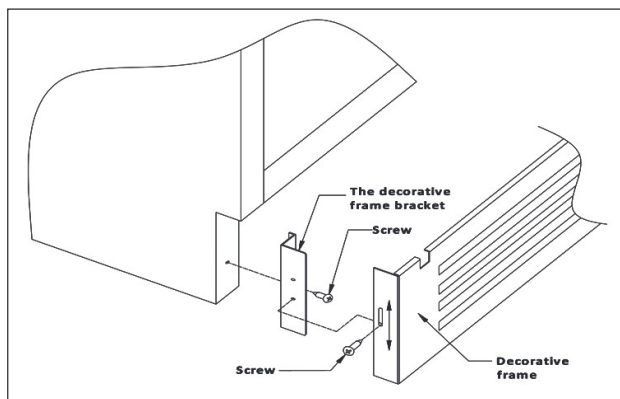
1. Take out 4 screws (1) from top hinge (right) (2) and remove the top hinge (right), then put out the door. (Fig.A)
2. Put the door safety and take out the lock hole decorative cover(3) and decorative nail (4) from top of door frame, unscrew 2 screws (5) at bottom and remove the door axis(right) (6), then install the lock hole decorative cover (3) and decorative nail (4) at bottom, please install the spare left door axis at top of door frame. (Fig.B)
3. Remove the door bracket (7) from lower hinge (left)(8) and install it at lower hinge (right )(9). (Fig.C)
4. The door revolves 180 degrees, put door axis to aim at lower hinge (left) and install the door onto lower hinge (left), then close the door carefully.
5. Fix spare top hinge (left) (10) onto left top of cabinet with 4 screws (1), then adjust door. (Fig.D)

Note: This is a two person operation.



## Install the decorative frame (SV 80)

Take out the decorative frame and the brackets from the accessories box. Fix the brackets to the cabinet with the screws provided and fix both sides of the decorative frame to the brackets with the 2 supplied screws as shown in below diagram.



## CARE AND MAINTENANCE

### Cleaning Your Wine Cooler

- Turn off the power, unplug the appliance, and remove all items including shelves and rack.
- Wash the inside surfaces with a warm water and baking soda solution. The solution should be about 2 tablespoons of baking soda to a quart of water.
- Wash the shelves with a mild detergent solution.
- Wring excess water out of the sponge or cloth when cleaning area of the controls, or any electrical parts.
- Wash the outside cabinet with warm water and mild liquid detergent. Rinse well and wipe dry with a clean soft cloth.

### Power Failure

- Most power failures are corrected within a few hours and should not affect the temperature of your appliance if you minimize the number of times the door is opened. If the power is going to be off for a longer period of time, you need to take the proper steps to protect your contents.

### Vacation Time

- Short vacations: Leave the Wine Cooler operating during vacations of less than three weeks.
- Long vacations: If the appliance will not be used for several months, remove all items and turn off the appliance. Clean and dry the interior thoroughly. To prevent odor and mold growth, leave the door open slightly: blocking it open if necessary.

### Moving Your Wine Cooler

- Remove all items.
- Securely tape down all loose items (shelves) inside your appliance.
- Turn the adjustable leg up to the base to avoid damage.
- Tape the door shut.
- Be sure the appliance stays secure in the upright position during transportation. Also protect outside of appliance with a blanket, or similar item.

### Energy Saving Tips

- The Wine Cooler should be located in the coolest area of the room, away from heat producing appliances, and out of the direct sunlight.

## PROBLEMS WITH YOUR WINE COOLER?

You can solve many common Wine Cooler problems easily, saving you the cost of a possible service call. Try the suggestions below to see if you can solve the problem before calling the servicer.

## TROUBLESHOOTING GUIDE

### Wine Cooler does not operate.

- Not plugged in.
- The appliance is turned off.
- The circuit breaker tripped or a blown fuse.

### Wine Cooler is not cold enough.

- Check the temperature control setting.
- External environment may require a higher setting.
- The door is opened too often.
- The door is not closed completely.
- The door gasket does not seal properly.

### Turns on and off frequently.

- The room temperature is hotter than normal.
- A large amount of contents has been added to the wine cooler.
- The door is opened too often.
- The door is not closed completely.
- The temperature control is not set correctly.
- The door gasket does not seal properly.

### The light does not work.

- Not plugged in.
- The circuit breaker tripped or a blown fuse.
- The bulb has burned out.
- The light button is "OFF".

### Vibrations.

- Check to assure that the Wine Cooler is level.

### The Wine Cooler seems to make too much noise.

- The rattling noise may come from the flow of the refrigerant, which is normal.
- As each cycle ends, you may hear gurgling sounds caused by the flow of refrigerant in your Wine Cooler.
- Contraction and expansion of the inside walls may cause popping and crackling noises.
- The Wine Cooler is not level.

### The door will not close properly.

- The Wine Cooler is not level.
- The door was reversed and not properly installed.
- The gasket is dirty.
- The shelves are out of position.

## Disposal of Old Appliance

### Dispose of your appliance packaging properly.

Refrigeration equipment must be properly disposed of in a way which protects the environment. This applies to your old appliance and to your new unit once it has reached the end of its service life.

#### **WARNING:**

Please ensure that old, worn appliances are rendered unusable before disposal by removing the plug, cutting the network cable, and removing or destroying any snap fastenings or bolts. You will thus prevent children from locking themselves in the appliance during play (risk of suffocation) or endangering their lives in any other way.

### **Disposal instructions:**

- The appliance must not be disposed of in the dustbin or with normal household rubbish.
- The coolant circuit, particularly the heat exchanger at the back/bottom of the unit, must not be damaged.
- The symbol on the product or its packaging indicates that this product is not to be handled as normal household waste but is to be taken to a recycling collection point for electrical and electronic goods. By correctly disposing of this product you are contributing to the protection of the environment and to the health of your fellow human beings. Improper disposal endangers health and the environment. Further information about the recycling of the product may be obtained from your town hall, refuse collection department or the store where you purchased the product.