



Yani-Motors

49040, г. Днепр, а/я 2449  
e-mail: yani-motors@ukr.net  
https://yani-motors.com.ua

Комплектный электропривод  
Двигатели постоянного тока  
Тахогенераторы и энкодеры  
Модернизация станков с ЧПУ

+380 67 523-58-57  
+380 66 272-54-70



## General Characteristics:

- Magnetic sensor for linear and angular reading
- Incremental Magnetic sensor
- Contactless reading
- To be used with magnetic band MP200
- Die-cast Body Magnetic Sensor
- Small size, to allow installation in narrow spaces
- Wide alignment tolerances
- AMR Magneto resistive position sensor
- Resistant to strong magnetic fields.
- Not sensitive to external homogenous magnetic fields.



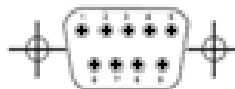
## Mechanical and Electrical Features

Reference signal	Constant Pulse every 2mm
Pole Pitch	2 + 2 mm
Resolution	1 - 5 - 10 - 25 - 100 um
Accuracy	± ( 20 + 20um / L ) um
Repeatability	± 1 increment
Cable	8 cores
Output type	Line-driver / push-pull
Max. frequency	300 KHz
Sensor to Magnetic Band distance	5 - 30 Vdc ± 5%
Power supply	60mA Max.
Phase displacement	90° ± 5° electrical
Max. traversing speed	Max. 25m/s
Vibration resistance	10Hz – 2KHz at 100m/s <sup>2</sup>
Shock resistance	1000m/s (11ms)
Electrical connections	See related table
Class of protection	Ip68 (IEC60529 : 2001)
Operating temperature	0° – 50°
Storage temperature	-20° – 80°
Humidity	100% not condensed
Weight of transducer	40g
Electrical protections	Inversion power supply polarity short circuit on output postt
Current consumption with load	Max. 140mA(with 5V and Z =120Ω); Max. 115mA(with 12V and Z =1.2KΩ); Max. 90mA(with 28V and Z = 1.2KΩ);

## Pin Connection Details



9 Pin 'D' (F)  
Connector



9 Pin 'D' (M)  
Connector



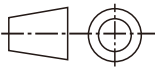
STATIC SENSITIVE DEVICE  
OBSERVE HANDLING  
PRECAUTIONS

	1	2	3	4	5	6	7	8	9
Signal	A-	0V	B-	Shield/ Body	R-	A+	V+	B+	R+
Non-Armoured Colour	Blue	White	Green		Pink	Yellow	Red	Brown	Gray

Magnetic scale  
**DMS10 series**



Unit: mm

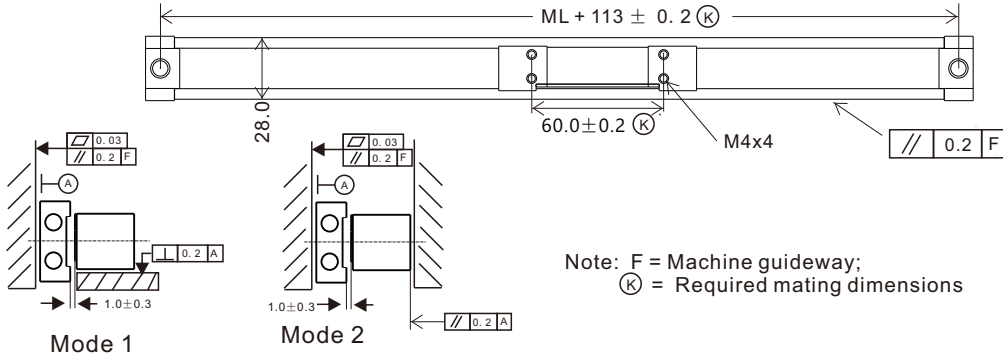
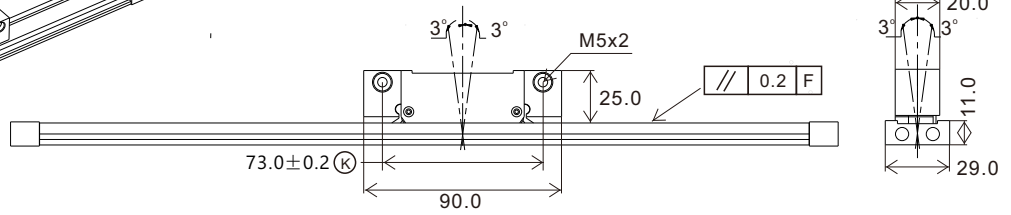
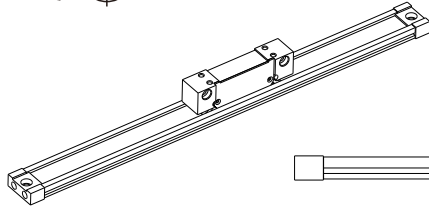


Tolerancing ISO8015  
 ISO 2768 -mH  
 < 6 mm ±0.2mm

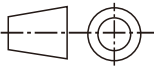
**Dimensions and Mounting Tolerances**

Delos Magnetic Scale

**DMS10A**



Unit: mm

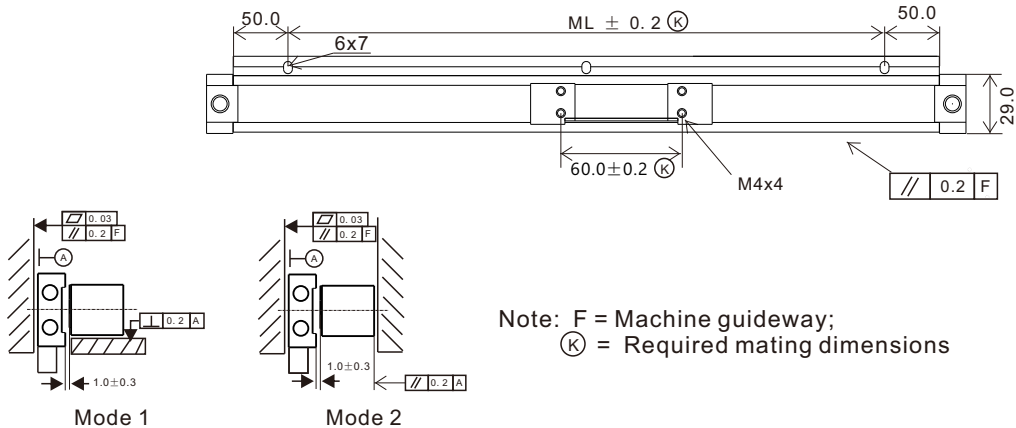
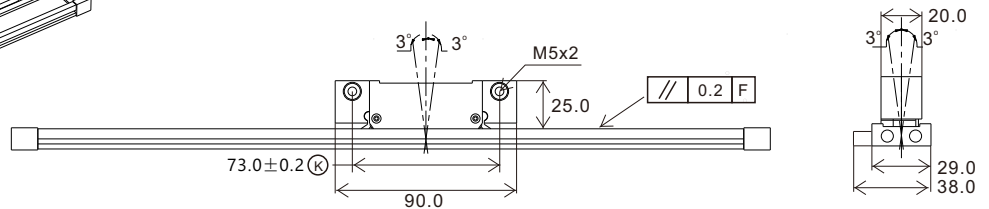
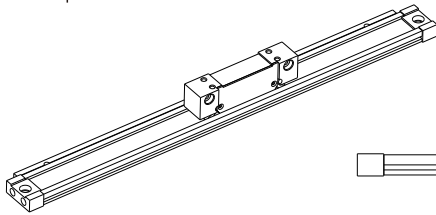


Tolerancing ISO8015  
 ISO 2768 -mH  
 < 6 mm ±0.2mm

**Dimensions and Mounting Tolerances**

Delos Magnetic Scale

**DMS10B**



**Ordering Code**

MODEL	TYPE	RESOLUTION	MARK POINT	DC VOLTAGE	OUTPUT	CABLE	CONNECTOR
DMS10	A	5	C	0524	L	C02	DB9
DMS10	A	1 = 1um 5 = 5um 10 = 10um	CONSTANT MARK	5 = DC 5V 24 = DC 24V 0524 = DC 5V--24V	L = LINEAR DRIVE PP = PUSH-PULL	C02 = 2M CABLE	DB9 CONNECTOR

**Example: DMS10A-5-C-0524-L-C02 SC**



Delos Encoder Co.,Ltd

WWW.delos-encoder.com sales@delos-encoder.com Tel: 86-755 8976 9252

Addr: Rm607 No. 10th Building center hongmian 1 Rd, Henggang Town, Longgang Area, ShenZhen, Guangdong CHINA 518000