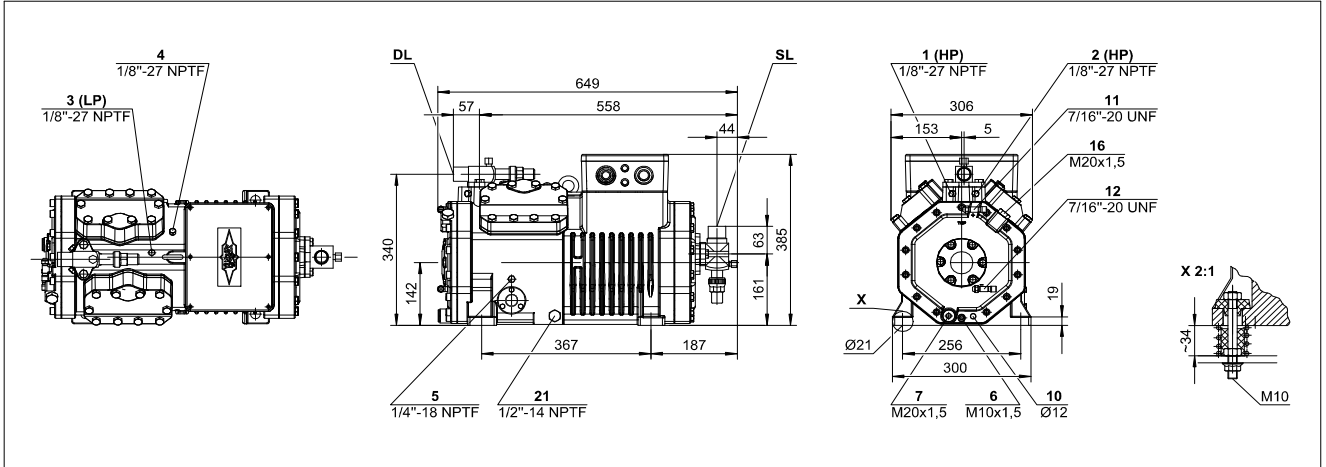




Version 5.3

27.10.2020 /

: 4NC-12.2Y-40P



- (1450 / 50)	56,25 m3/h
- (1750 / 60)	67,89 m3/h
(.)	4 x 70 mm x 42 mm
()	380-420V PW-3-50 Hz
()	24.0 A
()	50/50
()	69.0 A Y / 113.0 A YY
(/)	144 kg
	19 / 28 bar
	35 mm - 1 3/8"
	28 mm - 1 1/8"
R134a/R404A/R507A/R407C	tc<55°C: BSE32 / tc>55°C: BSE55 (Option)
R22 (R12/R502)	B5.2 (Standard)
R290/R1270	SHC226E (Standard)
	2,60 dm
	0..140 W PTC (Option)
	MP54 (Option), Delta P (Option, not for R290/R1270)
	Option
	Option
	SE-B1
	IP65
	Option
	100-50% (Option)
	Option
	Option
	Standard
	78,5 dB(A) @ 50Hz
	83,0 dB(A) @ 50Hz
@1 (-10°C/45°C) @50	70,5 dB(A) @ 50Hz
@1 (-35°C/40°C) @50	75,0 dB(A) @ 50Hz

CIC