

G2 HEAT EXCHANGER

SPARE PARTS LIST

LISTE DES PIÈCES DÉTACHÉES
ELENCO DEI PEZZI DI RICAMBIO

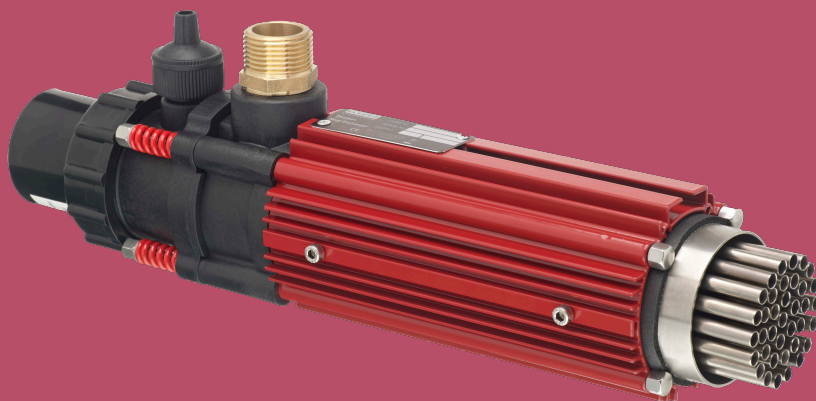
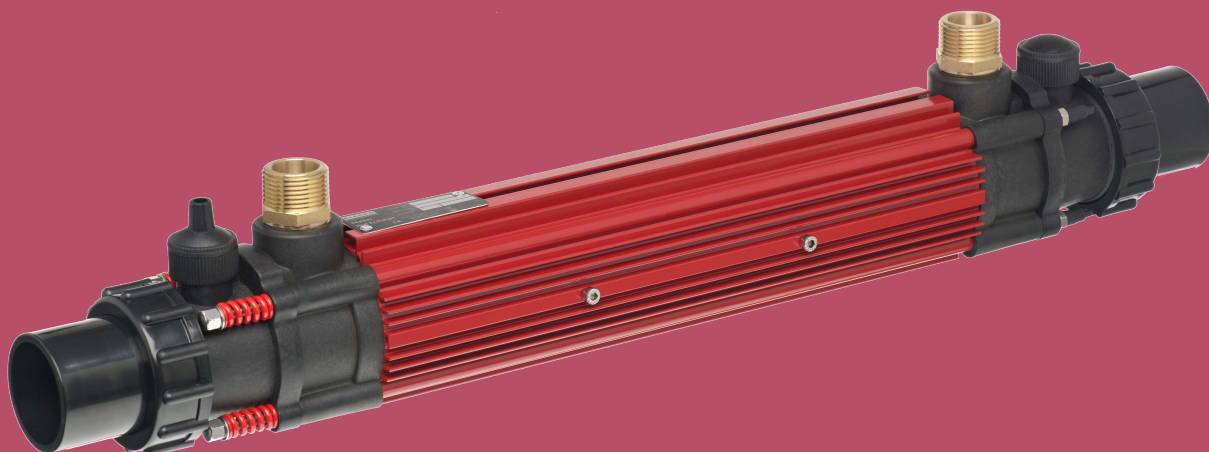
References:

G2-HE-30T

G2-HE-49T

G2-HE-85T

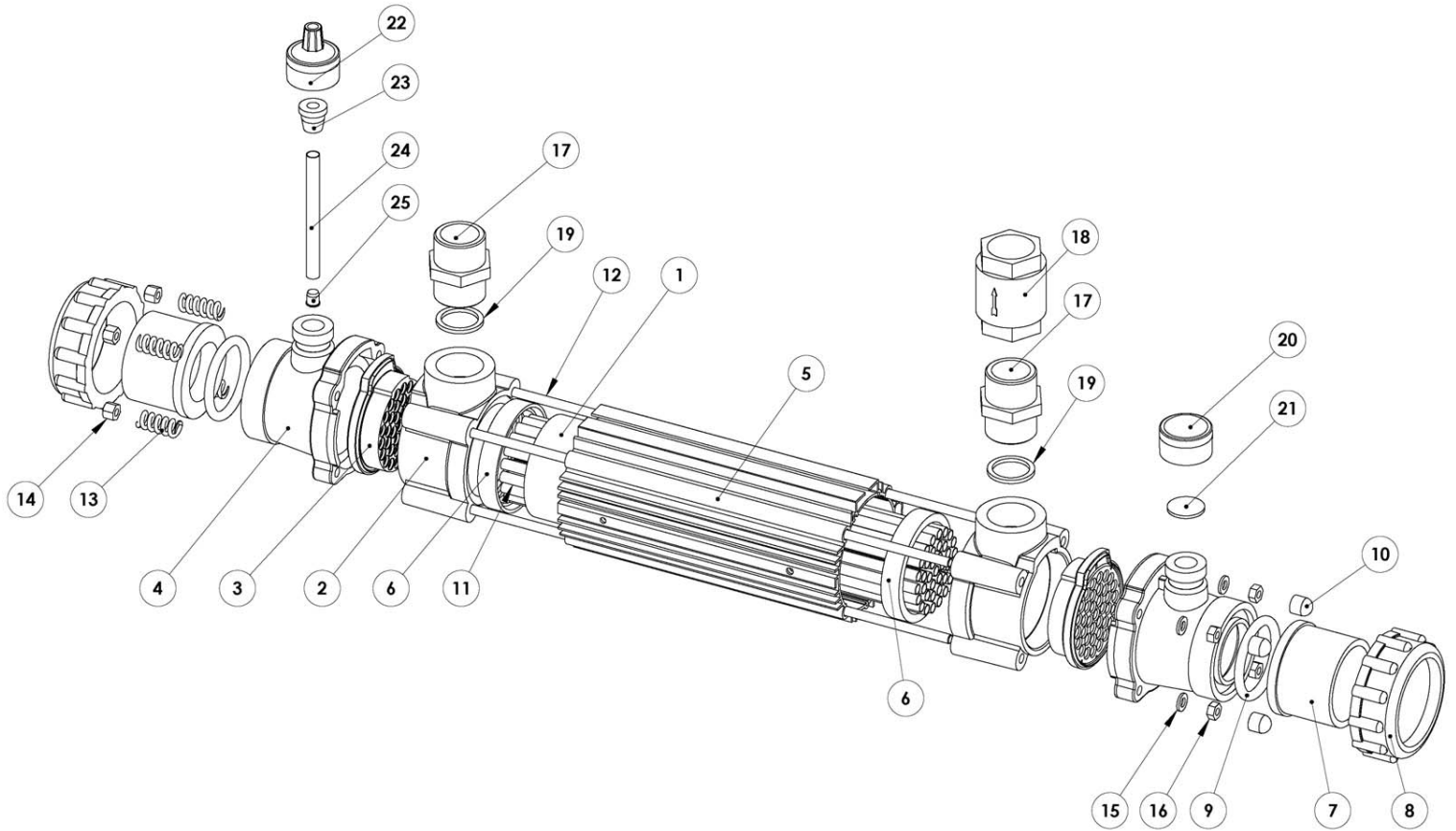
G2-HE-122T



ELEGRO
ENGINEERING

Improving pools *globally.*

G2 Heat Exchanger



Item No.:	Description:	Pcs/Unit:	G2-HE-30T	G2-HE-49T	G2-HE-85T	G2-HE-122T
1	Flow Tube	1	X-TUB-G2HE-200	X-TUB-G2HE-370	X-TUB-G2HE-500	X-TUB-G2HE-660
2	Primary Connection Coupling	2	Z-IM-HE-PC			
3	Tube Sheet	2	Z-IM-HE-TS			
4	Secondary Connection Coupling	2	Z-IM-HE-SC			
5	G2 Insulating Shell	1	Z-SMW-HE-S-25	Z-SMW-HE-S-40	Z-SMW-HE-S-70	Z-SMW-HE-S-100
6	HNBR Flow Tube Gasket	2	Z-IM-GSK-EFHNBR			
7	Union Insert 1.5" / 50-mm	2	Z-IM-UNI составляющая SP-119			
8	2.25" Union Locking Nut Union O-Ring					
9	Union O-Ring	2	Z-ORS-UNION составляющая SP-119			
10	M6 Black Nut Cover	4	Z-HEC-TC			
11	7-mm OD Titanium Tubes	37	Z-TUB-Ti7-J300	Z-TUB-Ti7-J370	Z-TUB-Ti7-J600	Z-TUB-Ti7-J760
12	M6 Tie Bar	4	Z-STU-368	Z-STU-538	Z-STU-668	Z-STU-828
13	Tension Spring	4	Z-HEC-SPRING			
14	M6 Cap Nut	4	Z-FIX-M6CAP			
15	M6 Flat Washer	4	Z-FIX-M6FW			
16	M6 Hex Nut	4	Z-FIX-M6HEX			
17	1" BSP Male / Male Brass Primary Nipple Connection	2	Z-HEC-1BSPMM			
18	1" BSP female / female Brass 1-Way Non-Return Valve	1	Z-HEC-1BSPWV			
19	EPDM Primary Nipple Gasket Seal	2	Z-IM-HE-NS			
20	Blanking Cap	1	Z-IM-HE-BC			
21	24-mm Coin Gasket Seal	1	Z-HEC-CG			
22	Thermostat Connection Cap	1	Z-IM-HE-SPC			
23	EPDM Thermostat Pocket Ferrule	1	Z-IM-EL-FER			
24	8.5-mm OD Titanium Thermostat Pocket	1	Z-TUB-Ti8.5-90			
25	EPDM Thermostat Pocket Seal	1	Z-IM-GSK-BUNG			