

Description

Pressure Test Device is used for control operation of compressed gases and liquids. TB1.4 series pressure test device has four pieces manometers. It can be measured from two different line, at the same time thanks to two pieces pressure test hoses. Product is solid for these measurements.

Applications

- Mobile hydraulics, hydraulics and machines
- Automotive Sector
- Hydraulic Press Machines
- Heavy- Duty Machines
- On vehicle Sector (Crane, Fire Trucks, Garbage Trucks etc.)

Technical Features

Model	: TB1.4
Manometer	: Manometers which are inside of pressure test device are optional for costumers.
Permitted fluid temperature	: +20 °C ... +60°C
Manometer Test Glands	: Basınç Test cihazının içerisindeki test rekorları; Test glands of pressure test device <ul style="list-style-type: none">• M16x2 - 1/8" BSP Hydraulic Manometer Test Glands : 2 pieces• M16x2 - 3/8" BSP Hydraulic Manometer Test Glands : 2 pieces• M16x2 - 1/4" BSP Hydraulic Manometer Test Glands: 2 pieces
Pressure Test Hoses	: DN2 Manometer test hoses M16x2 - 1/4"BSP -200cm 2 pieces. Max:630 bar

Note : User has to supply all safety conditions to have benefit from pressure test device.



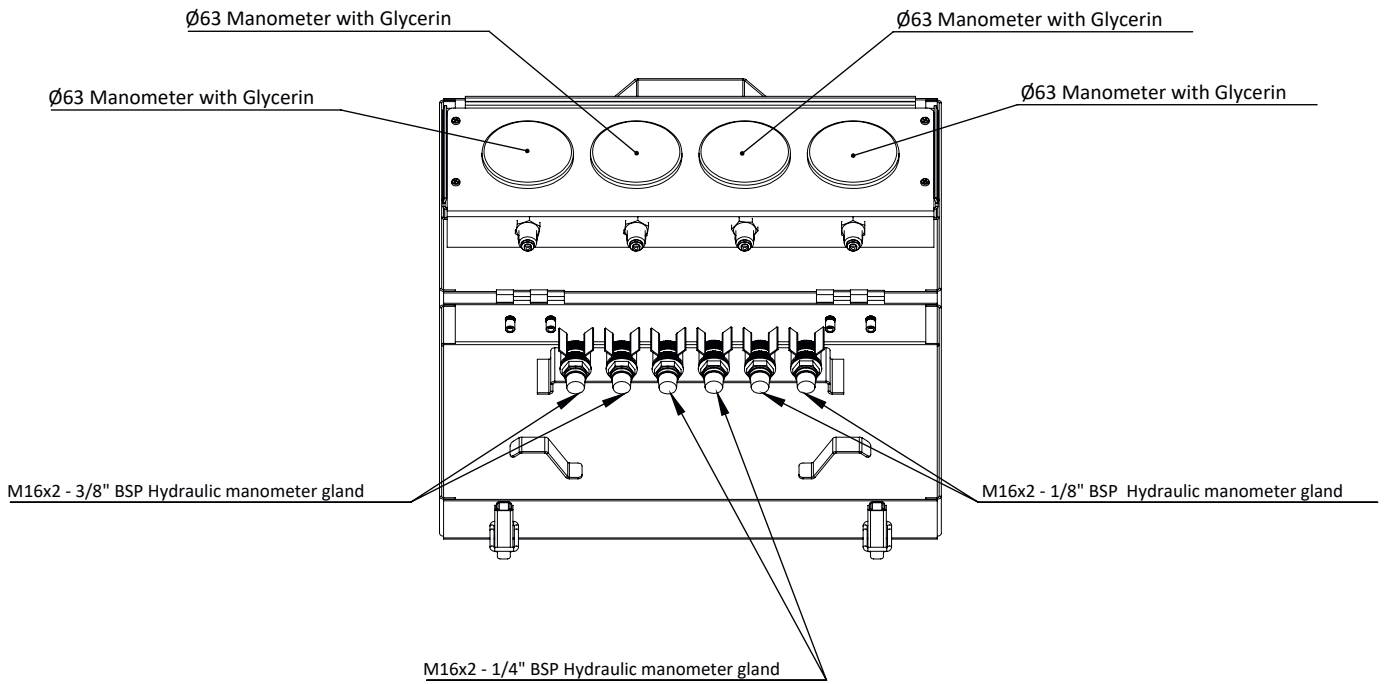
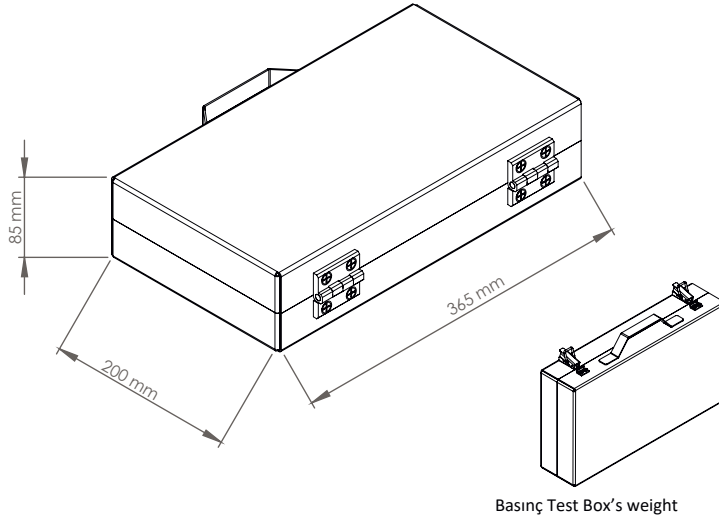
Order Code

Please fill the “...” blank with complied number to create order code. Manometers which are inside of pressure test device, are prepared customly according to user’s desire.

TB1.4 - ... - ... - ... - ...

1. 0...6 bar	7. 0...160 bar
2. 0...10 bar	8. 0...250 bar
3. 0...25 bar	9. 0...315 bar
4. 0...40 bar	10. 0...400 bar
5. 0...60 bar	11. 0...600 bar
6. 0...100 bar	

Technical Dimensions



Note:

- There is 2 pieces 2 meter height pressure test hose for 1 piece TB1.4
- Pressure test hose complies with manometer and manometer test glands.