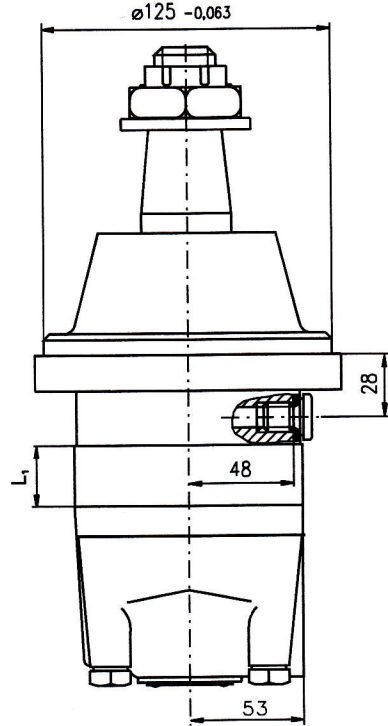
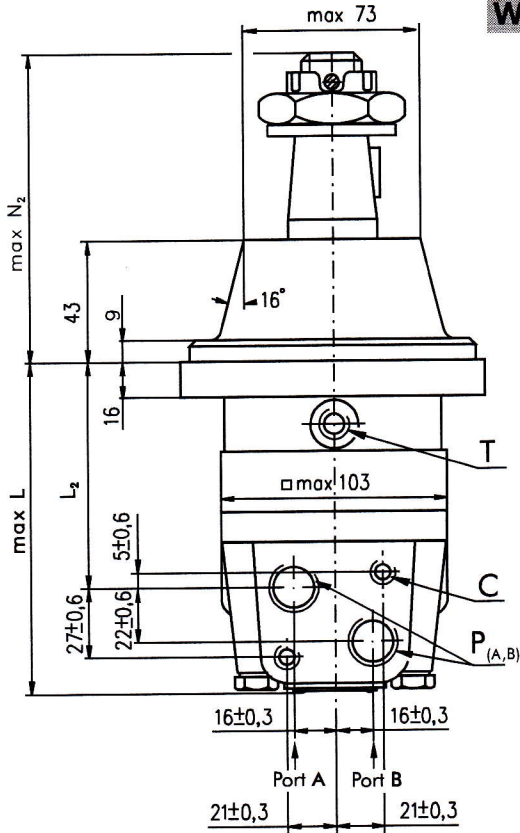


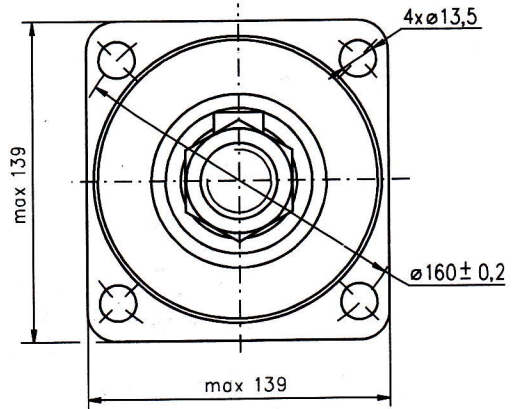
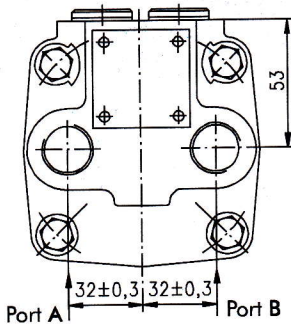
**DIMENSIONS AND MOUNTING DATA -MSW**

**W Wheel Mount**

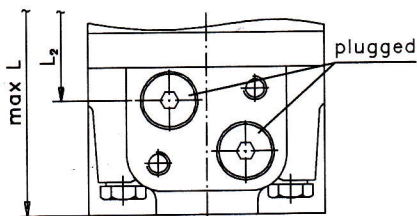


**C:** 2xM10-12 mm depth  
**P<sub>(A,B)</sub>:** 2xG1/2 or 2xM22x1,5-15 mm depth  
**T:** G 1/4 or M14x1,5 - 12 mm depth(plugged)

**E Rear Port**



\*For N<sub>2</sub> see page 17



**Standard Rotation**  
 Viewed from Shaft End  
 Port A Pressurized - CW  
 Port B Pressurized - CCW

**Reverse Rotation**  
 Viewed from Shaft End  
 Port A Pressurized - CCW  
 Port B Pressurized - CW

Type	L, mm	L <sub>1</sub> , mm	L <sub>2</sub> , mm	Type	L, mm
MSW 80	129	14	87	MSWE 80	138
MSW100	133	17,4	91	MSWE 100	142
MSW 125	137	21,8	95	MSWE 125	146
MSW 160	143	27,8	101	MSWE 160	152
MSW 200	150	34,8	108	MSWE 200	159
MSW 250	159	43,5	117	MSWE 250	168
MSW 315	170	54,8	128	MSWE 315	179
MSW 400	184	69,4	143	MSWE 400	194
MSW 475	198	82,6	156	MSWE 475	207
MSW 525	190	74,5	148	MSWE 525	199
MSW 565	196	80,2	154	MSWE 565	205