



Catalogo Generale . General Catalogue



Applicazioni:

- Controllo pressione
- Lubrificazione
- Spurgo aria
- Prelievo campioni olio

Applications:

- Pressure control
- Lubrication
- Air bleeding
- Oil sampling

Materiale:

Acciaio al carbonio zincato
(Acciaio inox AISI 316, disponibile su richiesta)

Materials:

Galvanised carbon steel
(Stainless steel AISI 316 is available on request)

Guarnizioni:

NITRILE BUNA N (NBR)
(VITON, disponibili su richiesta)
Temperatura di esercizio:
-30°C...+125°C (NITRILE)
-25°C...+230°C (FKM)

Sealing:

NITRILE BUNA N (NBR)
FKM – VITON (on request)
Working temperature:
-30°C...+125°C (NITRILE BUNA N)
-25°C...+230°C (FKM)



Fluidi:

Olio idraulico
Olio a base minerale
Compatibilità con altri fluidi a richiesta

Fluids:

Hydraulic oils
Mineral oils
Suitability with other fluids on request

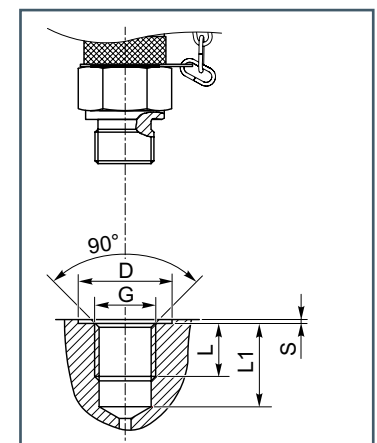
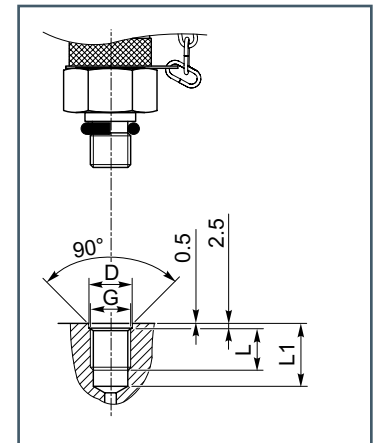
Esecuzione dei fori filettati e tipi di tenuta
Hole screw-cuts and sealing types

Type **A**

Tenuta con O-Ring O-Ring sealing	G	D	L	L1
M 8x1		9.5	11	15.5
M 10x1		11.5	12	16.5
M 10x1.25		11	12	16.5
M 14x1.5		15.8	12	18

Type **B**

Tenuta con spigolo metallico di incisione Metal sealing edge	G	Dmin	Lmin	L1min	Smax
M 8x1		13	8	10	1
M 10x1		15	8	10	1
M 12x1.5		18	12	15	1.5
M 14x1.5		20	12	15	1.5
M 16x1.5		23	12	15	1.5
M 18x1.5		25	12	15	2
M 20x1.5		27	14	17	2
M 22x1.5		28	14	17	2.5
M 27x2		33	16	20	2.5
ISO 228 G 1/8"		15	8	10	1
ISO 228 G 1/4"		20	12	15	1
ISO 228 G 3/8"		23	12	15	2
ISO 228 G 1/2"		28	14	18	2.5
ISO 228 G 3/4"		33	16	20	2.5

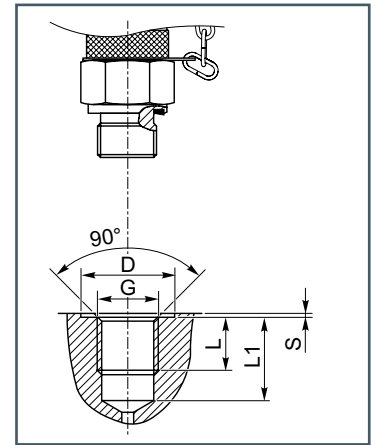




Type **C**

Tenuta con guarnizione piana
Flat gasket sealing

G	D	L	L1	S
M 10x1	15	8	10	1
M 10x1,25	15	8	10	1
M 12x1.5	18	12	15	1.5
M 14x1.5	20	12	15	1.5
M 16x1.5	23	12	15	1.5
ISO 228 G 1/8"	15	8	10	1
ISO 228 G 1/4"	20	12	15	1.5
ISO 228 G 3/8"	23	12	15	2
ISO 228 G 1/2"	28	14	18	2.5

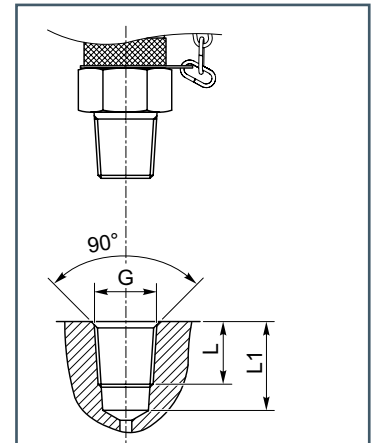


Type **D**

Tenuta:
- Gas conico ISO 7/1
- Conico NPTF

Sealing by thread:
- B.S.P. Taper ISO 7/1
- Taper NPTF

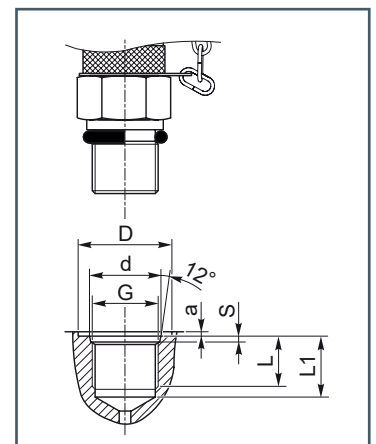
G	L	L1
ISO 7/1 1/8"	5.5	8.5
ISO 7/1 1/4"	8.5	12.5
ISO 7/1 3/8"	8.5	12.5
1/8"-27 NPTF	9	14
1/4"-18 NPTF	9	18.5
3/8"-18 NPTF	14	20
1/2"-14 NPTF	18	24



Type **E**

Tenuta con guarnizione UNF
UNF O-Ring sealing

G	d	D	L	L1	S	a
5/16"-24 UNF	9,2	15	11	14	2,4	1,6
3/8"-24 UNF	10,6	16	11	14	2,4	1,6
7/16"-20 UNF	12,4	17	11,5	14	2,4	1,6
1/2"-20 UNF	14	18	11,5	14	2,4	1,6
9/16"-18 UNF	15,6	20	12,7	15,5	2,5	1,6
3/4"-16 UNF	20,5	25	16	20	2,6	2,4





Come ordinare

How to order

Per ordinare i componenti indicare il codice riportato nelle tabelle per ogni configurazione indicando l'eventuale lettera attribuita all'opzione desiderata.

Please indicate the code shown in the required form chart, and add, if necessary, the letter of the chosen option.

Configurazione / Form

Tappo metallo con catenella e sistema interno di tenuta a sfera
Metal cap with chain and ball sealing system

Eliminare "S1" nel codice / Delete "S1" in the ref.	XxxxxxxxC
Tappo/Cap: Lettera "C" nel codice / "C" in the ref.	XxxxxxxxC

Tappo metallo con catenella e sistema interno di tenuta a pistone
Metal cap with chain and poppet valve sealing system

Lasciare "S1" nel codice / Put "S1" in the ref.	S1xxxxxxxC
Tappo/Cap: Lettera "C" nel codice / "C" in the ref.	S1xxxxxxxC

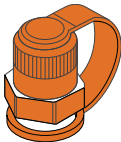
Opzioni / Options



0

Tappo metallo. laccio in plastica / Metal cap with plastic binder

Sostituire nel codice "C" con "0" / Replace "C" with "0"	xxxxxxx0
--	----------



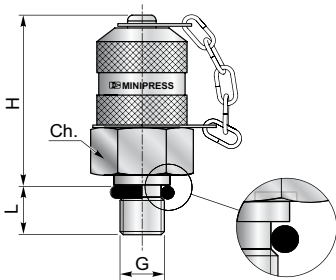
P

Tappo in plastica / Plastic cap

Sostituire nel codice "C" con "P" / Replace "C" with "P"	xxxxxxxP
--	----------

Miniprese filettate M16x2

Threaded test couplings M16x2



G	H	L	Ch	PN [bar]	Tenuta/Seal	Codice/Ref.
<i>Metrica cilindrica / Metric parallel</i>						
M8x1*	37	8.5	17	250	O-Ring Type A	S10108X10C
M10x1*	37	8.5	17	630		S10110X10C
M10x1.25	37	9	17	630		S10110X12C
M14x1.5	37	10	19	630		S10114X15C
M14x1.5 ISO6149	37	10	19	630		S101146149C
ISO 228 JIS 1/4"	37	10	19	630		S10714J00C
<i>Metrica cilindrica / Metric parallel</i>						
7/16"-20UNF*	37	9	17	630	O-Ring Type E	S10171X20C
1/2"-20UNF*	37	10	17	630		S10112X20C
9/16"-18UNF*	37	10	19	630		S10191X18C
3/4"-16UNF	37	14	22	630		S10134X16C
5/16"-24UNF*	37	9	17	630		S10151X24C
3/8"-24UNF	37	9	17	630		S10138X24C

*Disponibili in INOX / Available in Stainless steel

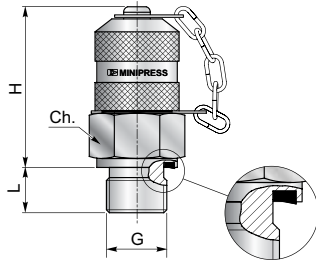
Opzioni/Options

0 **P**



Minipresa filettata M16x2

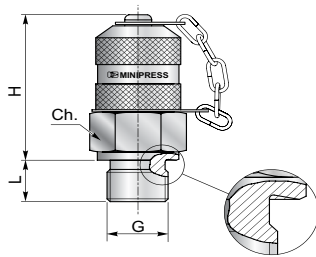
Threaded test coupling M16x2



G	H	L	Ch	PN [bar]	Tenuta/Seal	Codice/Ref.
<i>Metrica cilindrica / Metric parallel</i>						
M 10x1*	37	8	17	630	Type C	S10410X10C
M 10x1.25	37	8	17	630		S10410X12C
M 10x1.5	37	12	17	630		S10410X15C
M 12x10	37	12	17	630		S10612X10C
M 12x1.5*	37	12	17	630		S10612X15C
M 14x1.5*	37	12	19	630		S10614X15C
M16x1.5*	37	12	22	630		S10616X15C
<i>Gas cilindrica / B.S.P. parallel</i>						
ISO 228 G 1/8" *	37	8	17	630	Type C	S10718G00C
ISO 228 G 1/4" *	37	12	19	630		S10714G00C
ISO 228 G 3/8" *	37	12	22	630		S10738G00C
ISO 228 G 1/2" *	37	14	27	630		S10712G00C

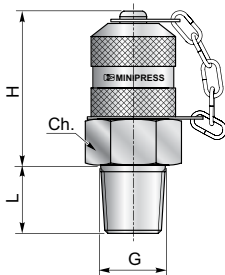
*Disponibili in INOX / Available in Stainless steel

Opzioni/Options



G	H	L	Ch	PN [bar]	Tenuta/Seal	Codice/Ref.
<i>Metrica cilindrica / Metric parallel</i>						
M 8X1	37	8	17	630	Type B	S10308X10C
M 10X1	37	8	17	400		S10310X10C
M 12X1.5	37	12	17	630		S10312X15C
M 14X 1.5	37	12	19	630		S10314X15C
M 16X1.5	37	12	22	630		S10316X15C
M 18X1.5	37	12	27	630		S10318X15C
M 20X1.5	37	14	27	630		S10320X15C
M 22X1.5	37	14	27	630		S10322X15C
M 27X2	37	16	32	630	S10327X20C	
<i>Gas cilindrica / B.S.P. parallel - Forma B / Form B</i>						
ISO 228 G 1/8"	37	8	17	400	Type B	S10418G00C
ISO 228 G 1/4"	37	12	19	630		S10414G00C
ISO 228 G 3/8"	37	12	22	630		S10438G00C
ISO 228 G 3/4"	37	16	32	630		S10434G00C
ISO 228 G 1/2"	37	14	27	630		S10412G00C
ISO 228 G 1 1/4"	59.5	20	50	160		S104114G0C
G 1/4" BS5200	37	11	19	630		S10714B00C

Opzioni/Options



G	H	L	Ch	PN [bar]	Tenuta/Seal	Codice/Ref.
<i>GAS conica / B.S.P taper</i>						
ISO 7/1 R 1/8" *	37	10	17	400	Type D	S10818280C
ISO 7/1 R 1/4" *	37	12	19	630		S10814190C
ISO 7/1 R 3/8"	37	14	22	630		S10838190C
<i>NPTF / NPTF</i>						
1/8"-27 NPTF*	37	10	17	400	Type D	S10918270C
1/4"-18 NPTF*	37	17	17	630		S10914180C
3/8"-18 NPTF*	37	16	22	630		S10938180C
1/2"-14 NPTF*	37	17	24	630		S10912140C

*Disponibili in INOX / Available in Stainless steel

Opzioni/Options

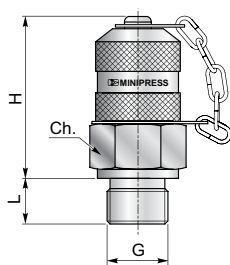




Minipresa filettata M 16x1.5

Threaded test coupling M 16x1.5

M16x1.5



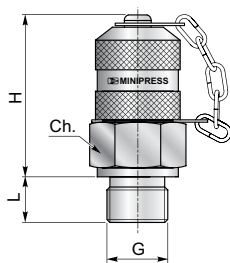
G	H	L	Ch	PN [bar]	Tenuta/Seal	Codice/Ref.
Metrica cilindrica / Metric parallel						
M 8x1	37	8.5	17	250	O-Ring Type	S10108X10150C
M 10x1	37	8.5	17	630	A	S10110X10150C
M 14X1.5	37	12	19	630	Type C	S10614X15150C
7/16"-20UNF	37	9	17	630	O-Ring Type E	S10171X20150C
Gas cilindrica / B.S.P. parallel						
ISO 228 G 1/4" *	37	12	19	630	Type C	S10714150C
ISO 228 G 1/8"	37	8	17	630	C	S10718150C
ISO 228 G 1/4"	37	12	19	630	Type B	S10414150C
Gas conica / B.S.P. Tapir						
ISO 7/1 R 1/4"	37	12	19	630	Type D	S10814150C
NPTF / NPTF						
1/4"-18NPTF*	37	14	17	630	Type D	S10914150C

*Disponibili in INOX /
Available in Stainless steel

Minipresa filettata S12.65x1.5

Threaded test coupling S12.65x1.5

S12.65x1.5

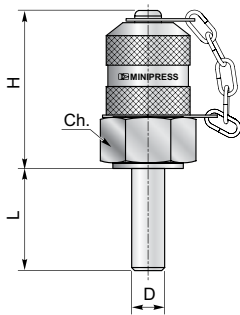


G	H	L	Ch	PN [bar]	Tenuta/Seal	Codice/Ref.
Metrica cilindrica / Metric parallel						
M 8x1	30	8.5	14	630	O-Ring Type	S10108X10120C
M 10x1	30	8.5	14	630	A	S10110X10120C
M 10x1	30	8	17	630	Type	S10410X10120C
M 12x1,5	30	12	17	630	C	S10612X15120C
5/16"-24UNF	30	9	17	630	O-Ring Type	S10151X24120C
7/16"-20UNF	30	9	17	630	E	S10171X20120C
Gas cilindrica						
ISO 228 G 1/4"	30	8	19	630	Type	S10714120C
ISO 228 G 1/8"	30	8	17	630	C	S10718120C
NPTF / NPTF						
1/4"-18 NPTF	30	17	17	630	Type D	S10914120C



Minipresa a codolo liscio M 16x2

Standpipe test coupling M16X2



D	H	L	Ch	PN [bar]		Codice/Ref.
				Series L	Series S	
6*	37	20	17	315	630	S11206000C
8	37	20	17	315	630	S11208000C
10	37	20	17	315	630	S11210000C
12	37	20	17	315	630	S11212000C
14	37	20	17	—	630	S11214000C
15	37	20	17	315	—	S11215000C
16	37	20	17	—	400	S11216000C

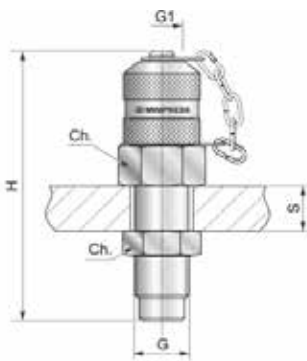
*Disponibili in INOX /
Available in Stainless steel

Opzioni/Options



Minipresa passaparete M 16x2

Bulkhead test coupling M 16x2



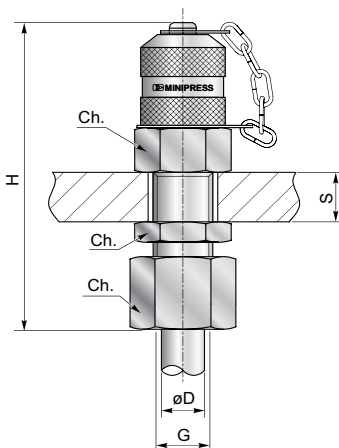
G1	G1	H	Ch	S max	PN [bar]	Codice/Ref.
M 16x2	M 16x2	74.5	19	25	630	S122PP000C
S12.65x1.5	S12.65x1.5	63	19	12	630	S122PP120C

Opzioni/Options



Minipresa passaparete per tubo metallico M 16x2

Bulkhead test coupling for metal pipe fitting M 16x2



Serie / Series	D	G	H	Ch	Ch 1	S max	PN [bar]	Codice/Ref.
S	8*	M 16x1.5	80	19	19	20	630	S11616X15C
	10	M 18x1.5	82	22	22	20	630	S11618X15C
	12	M 20x1.5	84	24	24	20	630	S11620X15C

*Disponibili in INOX /
Available in Stainless steel

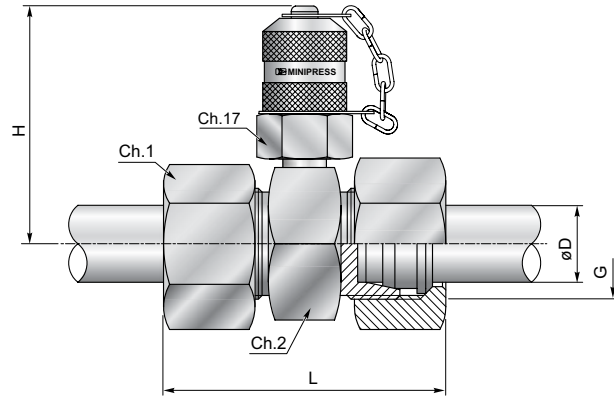
Opzioni/Options





Minipresa raccordo intermedio diretto per tubo metallico

Straight test coupling for metal pipe fitting



Serie / Series	D	G	H	L	Ch 1	Ch 2	PN [bar]	Codice/Ref.	Codice/Ref.	Codice/Ref.
Raccordi ad anello / Ring fittings								M16x2*	M16x1.5	S12.65x1.5
L	6	M 12x1.5	49	57	14	24	250	S11306000C	S11306150C	S11306120C
	8	M 14x1.5	49	51	17	24	250	S11308000C	S11308150C	S11308120C
	10	M 16x1.5	49	53	19	24	250	S11310000C	S11310150C	S11310120C
	12	M 18x1.5	49	53	22	24	250	S11312000C	S11312150C	S11312120C
	15	M 22x1.5	50.5	55	27	27	250	S11315000C	S11315150C	S11315120C
	18	M 26x1.5	53	57	32	32	100	S11318000C	S11318150C	S11318120C
	22	M 30x2	53	61	36	32	160	S11322000C	S11322150C	S11322120C
	28	M 36x2	57.5	61	41	41	100	S11328000C	S11328150C	S11328120C
	35	M 45x2	60	69	50	46	100	S11335000C	S11335150C	S11335120C
42	M 52x2	64.5	71	60	55	100	S11342000C	S11342150C	S11342120C	
S	6	M 14x1.5	49	55	17	24	630	S11406000C	S11406150C	S11406120C
	8	M 16x1.5	49	55	19	24	630	S11408000C	S11408150C	S11408120C
	10	M 18x1.5	49	57	22	24	630	S11410000C	S11410150C	S11410120C
	12	M 20x1.5	49	57	24	24	630	S11412000C	S11412150C	S11412120C
	14	M 22x1.5	49	63	27	27	630	S11414000C	S11414150C	S11414120C
	16	M 24x1.5	52	63	30	27	400	S11416000C	S11416150C	S11416120C
	20	M 30x2	53	69	36	32	400	S11420000C	S11420150C	S11420120C
	25	M 36x2	57.5	75	46	41	400	S11425000C	S11425150C	S11425120C
	30	M 42x2	60	81	50	46	250	S11430000C	S11430150C	S11430120C
38	M 52x2	63	96	60	55	250	S11438000C	S11438150C	S11438120C	

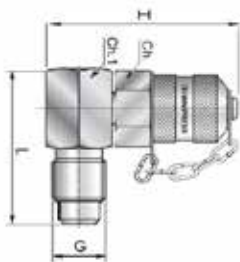
*Versione M16x2 disponibile in INOX / M16x2 version available in Stainless Steel

Opzioni/Options



Minipresa filettata M 16x2 a 90°

90° Threaded test coupling M 16x2



G	L	H	Ch	Ch1	Codice/Ref.
ISO 228 G1/4"	39	55.4	17	19	S10714G90C

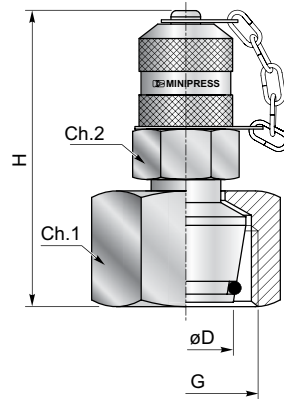
Opzioni/Options





Minipresa tipo DKO codolo conico 24° con O-Ring

Test coupling with 24° O-Ring sealing cone DKO type



Serie / Series	D	G	H	Ch 1	Ch 2	PN [bar]	Codice/Ref.	Codice/Ref.	Codice/Ref.
							M16x2*	M16x1.5	S12.65x1.5
L	6	M 12x1.5	53	14	17	250	S11012X15C	S11012X15150C	S11012X15120C
	8	M 14x1.5	55	17	17	250	S11014X15C	S11014X15150C	S11014X15120C
	10	M 16x1.5	55.5	19	19	250	S11016X15C	S11016X15150C	S11016X15120C
	12	M 18x1.5	56.5	22	19	250	S11018X15C	S11018X15150C	S11018X15120C
	15	M 22x1.5	59	27	22	250	S11022X15C	S11022X15150C	S11022X15120C
	18	M 26x1.5	59	32	22	160	S11026X15C	S11026X15150C	S11026X15120C
	22	M 30x2	59	36	27	160	S11030X20C	S11030X20150C	S11030X20120C
	28	M 36x2	60	41	17	100	S11035X20C	S11035X20150C	S11035X20120C
	35	M 45x2	62	50	17	100	S11045X20C	S11045X20150C	S11045X20120C
42	M 52x2	65	60	17	100	S11052X20C	S11052X20150C	S11052X20120C	
S	6	M 14x1.5	54	17	17	630	S11114X15C	S11114X15150C	S11114X15120C
	8	M 16x1.5	56	19	17	630	S11116X15C	S11116X15150C	S11116X15120C
	10	M 18x1.5	56.5	22	19	630	S11118X15C	S11118X15150C	S11118X15120C
	12	M 20x1.5	58	24	19	630	S11120X15C	S11120X15150C	S11120X15120C
	14	M 22x1.5	59	27	17	400	S11122X15C	S11122X15150C	S11122X15120C
	16	M 24x1.5	56	30	22	400	S11124X15C	S11124X15150C	S11124X15120C
	20	M 30x2	57	36	27	400	S11130X20C	S11130X20150C	S11130X20120C
	25	M 36x2	65	46	17	400	S11136X20C	S11136X20150C	S11136X20120C
	30	M 42x2	65	50	17	250	S11142X20C	S11142X20150C	S11142X20120C
38	M 52x2	65	60	17	250	S11152X20C	S11152X20150C	S11152X20120C	

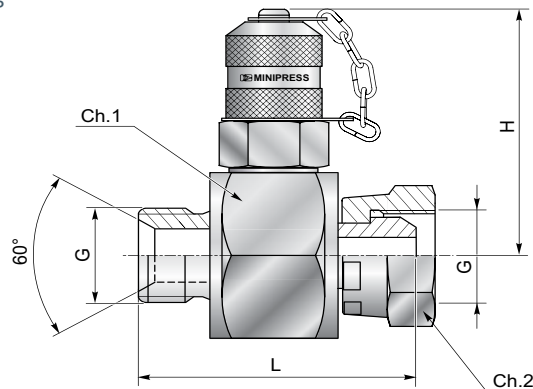
*Versione M16x2 disponibile in INOX / M16x2 version available in Stainless Steel

Opzioni/Options



Minipresa di pressione con giunzione diritta 60°

Check coupling male - female swivel 60°



G	H	L	Ch1	Ch2	PN bar	Codice/Ref.	Codice/Ref.	Codice/Ref.
						M16x2*	M16x1.5	S12.65x1.5
ISO 228 G1/4"	55	53	32	19	400	S11914G00C	S11914150C	S11914120C
ISO 228 G3/8"	55	60	32	22	400	S11938G00C	S11938150C	S11938120C
ISO 228 G1/2"	55	60	32	27	400	S11912G00C	S11912150C	S11912120C
ISO 228 G3/4"	55	68	32	32	400	S11934G00C	S11934150C	S11934120C
ISO 228 G1"	60	74	41	41	315	S11901G00C	S11901150C	S11901120C

*Versione M16x2 disponibile in INOX / M16x2 version available in Stainless Steel

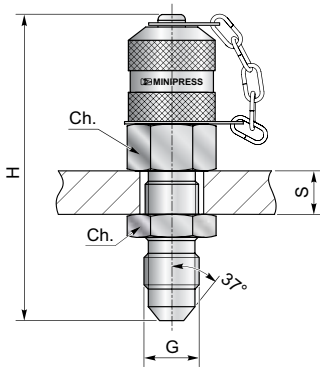
Opzioni/Options





Minipresa passaparete JIC 37° M 16x2

Bulkhead test coupling - JIC 37° M 16x2



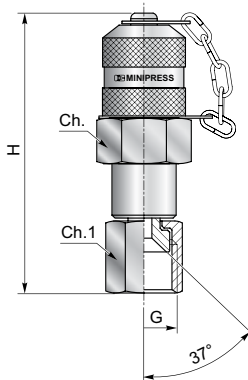
G	H	Ch	S max	PN [bar]	Codice/Ref.
7/16"-20 UNF	68	17	9	630	S11707162C
1/2"-20 UNF	68	17	9	400	S11701220C
9/16"-18 UNF	69	19	9	315	S11709161C

Opzioni/Options



Minipresa con raccordo femmina girevole sede JIC 37° M 16x2

Female swivel test coupling - JIC 37° M 16x2



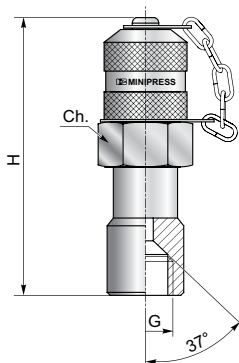
G	H	Ch	Ch 1	PN [bar]	Codice/Ref.
7/16"-20 UNF	57	17	14	630	S11507163C
1/2"-20 UNF	65	17	17	400	S11512203C
9/16"-18 UNF	51.5	17	17	315	S11509163C
3/4"- 16 UNF	58.5	19	22	315	S11506163C
7/8"- 14 UNF	64	24	27	315	S11507083C

Opzioni/Options



Minipresa con raccordo femmina fisso sede JIC 37° M 16x2

Female fixed test coupling - JIC 37° M 16x2



G	H	Ch	PN [bar]	Codice/Ref.
7/16"-20 UNF	63	19	630	S115071FFC
1/2"-20 UNF	63	17	400	S115012FFC
9/16"-18 UNF*	66	19	315	S115091FFC

*Disponibili in INOX /
Available in Stainless steel

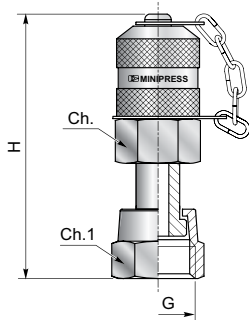
Opzioni/Options





Minipresa con raccordo femmina girevole O.R.F.S. M 16x2

O.R.F.S female swivel test coupling M 16x2



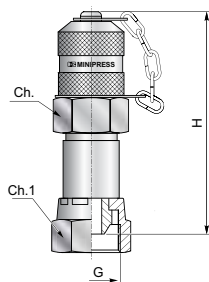
G	H	Ch	Ch 1	PN [bar]	Codice/Ref.
9/16"-18 UNF	53	17	19	400	S115916FSC
11/16"-16 UNF	54	17	22	400	S115116FSC
13/16"-16 UNF	58	19	24	400	S115131FSC

Opzioni/Options



Minipresa di pressione femmina girevole M 16x2

Female swivel check-coupling M 16x2



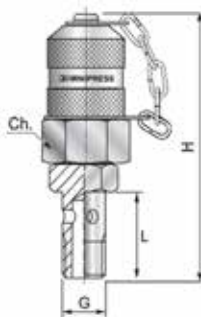
G	H	Ch	Ch 1	PN [bar]	Codice/Ref.
ISO 228 G 1/4"	62	19	19	630	S115914G0C

Opzioni/Options



Minipresa filettata M 16x2 con dado forato

Threaded test coupling M 16x2 banjo screw



G	H	L	Ch	PN [bar]	Codice/Ref.
ISO 228 G 1/4"	60	26	19	630	S142R2HS0C

Innesto rapido + minipresa 15QC000C

Test quick coupling + test point 15QC000C



Innesto rapido attraverso il quale è possibile controllare i parametri della pressione dell'olio in un impianto oleodinamico grazie ad una minipresa (con filetto esterno 16x2 per attacco F in microtubo) avvitata su di esso.

Intercambiabile con altre miniprese a norma ISO 15171-1.

Norma: ISO 15171-1

Applicazione: diagnostica impianti oleodinamici

Pressione di esercizio: 400 bar

Materiale: acciaio zincato

Tenuta: NBR (da -30° a + 125°C)

Diagnostic quick coupling gives the opportunity to control the parameters of high-pressure oil hydraulic systems. Socket part has a test point thread M16x2 for micro hose. Interchangeable with other ISO 15171-1.

Norm: ISO 15171-1

Application: diagnostic of hydraulic systems

Working pressure: 400 bar

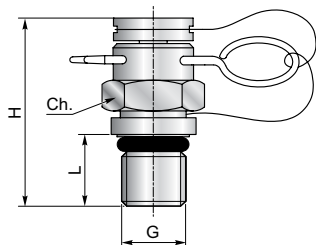
Material: zinc steel

Seal: NBR (from -30°C to +125°C)

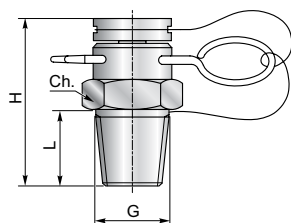


Minipresa con innesto a baionetta

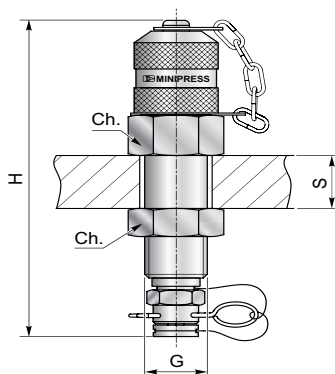
Plug-in test coupling



G	H	L	Ch	PN [bar]	Tenuta/Seal	Codice/Ref.
Filettatura: metrica cilindrica / Threaded: metric parallel (UNI 4535-64)						
M 8x1	25	8.5	12	250	O-Ring type A	51000000
M 10x1	25	8.7	14	400		51100000
ISO 228 G1/4"	25	12	19	400	Metal Sealing Edge B	5114G000

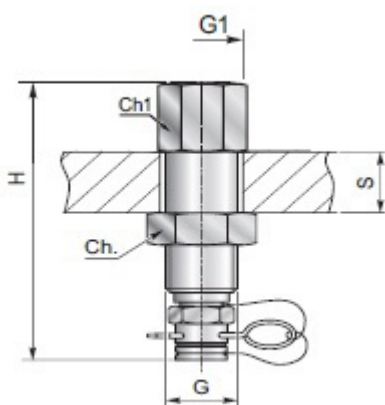


G	H	L	Ch	PN [bar]	Tenuta/Seal	Codice/Ref.
Filettatura: gas conica / Threaded: B.S.P. taper (UNI ISO 7/1)						
ISO 7/1 R1/8"	25	12	12	400	Type D	51800000
Filettatura: gas conica / Threaded: B.S.P. taper NPTF (ANSI/ASME B.1.20.1 - 1983)						
1/8" NPTF	25	12	12	400	Type D	51900000



G	H	Ch	S max	PN [bar]	Codice/Ref.
Minipresa passaparte / Bulkhead test coupling					
M 16x2	90	19	25	400	S123PPIB0C

Opzioni/Options **0** **P**



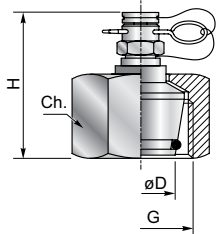
G	G1	H	Ch	Ch1	S max	PN [bar]	Codice/Ref.
Portamanometro passaparte / Bulkhead pressure gauge connection							
M 16x2	ISO 228 G1/4"	63	19	19	25	400	1814000B
M 16x2	ISO 228 G1/2"	72	19	27	25	400	1812000B

Opzioni/Options **0** **P**



Minipresa con innesto a baionetta tipo DKO codolo conico 24° con O-Ring

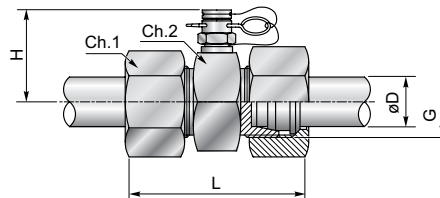
Plug-in test coupling with 24° O-Ring sealing cone DKO type



Serie / Series	D	G	H	Ch	PN [bar]	Codice/Ref.
L	8	M 14x1.5	39	17	250	1014X15B
	10	M 16x1.5	39	19	250	1016X15B
	12	M 18x1.5	39	22	250	1018X15B
	15	M 22x1.5	39	27	250	1022X15B
	18	M 26x1.5	39	32	160	1026X15B
	22	M 30x2	39	36	160	1030X20B
	28	M 35x2	40	41	100	1035X20B
	35	M 45x2	42	50	100	1045X20B
S	42	M 52x2	45	60	100	1052X20B
	8	M 14x1.5	39	17	630	1114X15B
	10	M 16x1.5	39	19	630	1116X15B
	10	M 18x1.5	39	22	630	1118X15B
	12	M 20x1.5	39	24	630	1120X15B
	14	M 22x1.5	39	27	400	1122X15B
	16	M 24x1.5	40	30	400	1124X15B
	20	M 30x2	42	36	400	1130X20B
	25	M 36x2	44	46	400	1136X20B
	30	M 42x2	44	50	250	1142X20B
38	M 52x2	44	60	250	1152X20B	

Minipresa a baionetta raccordo intermedio diritto per tubo metallico

Plug-in straight test coupling for metal pipe fitting



Serie / Series	D	G	H	L	Ch 1	Ch 2	PN [bar]	Codice/Ref.
Raccordi ad anello / Ring fittings								
L	6	M 12x1.5	29	51	14	24	315	1306000B
	8	M 14x1.5	29	51	17	24	315	1308000B
	10	M 16x1.5	29	53	19	24	315	1310000B
	12	M 18x1.5	29	53	22	24	315	1312000B
	15	M 22x1.5	30.5	55	27	27	315	1315000B
	18	M 26x1.5	33	57	32	32	315	1318000B
	22	M 30x2	33	61	36	32	160	1322000B
	28	M 36x2	37.5	61	41	41	160	1328000B
	35	M 45x2	40	69	50	46	160	1335000B
	42	M 52x2	44.5	71	60	55	160	1342000B
S	6	M 14x1.5	29	55	17	24	630	1406000B
	8	M 16x1.5	29	55	19	24	630	1408000B
	10	M 18x1.5	29	57	22	24	630	1410000B
	12	M 20x1.5	29	57	24	24	630	1412000B
	14	M 22x1.5	29	63	27	24	630	1414000B
	16	M 24x1.5	32	63	30	27	400	1416000B
	20	M 30x2	33	69	36	32	400	1420000B
	25	M 36x2	37.5	75	46	41	400	1425000B
	30	M 42x2	40	81	50	46	400	1430000B
	38	M 52x2	44.5	89	60	55	315	1438000B



Adattatori per manometro
Pressure gauge adapters

Come ordinare
How to order

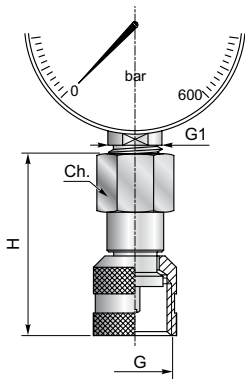
Configurazione / Configuration

Il codice degli adattatori termina sempre con 0
Adapters code ends with 0 xxxxxxx0

Opzioni / Options

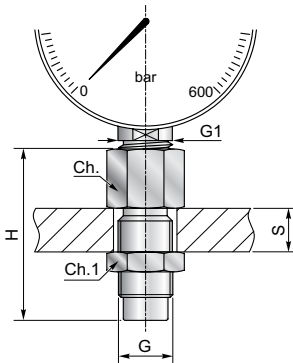
Smorzatore di pressione a richiesta / Pressure damper on request

S Sostituire la lettera S allo 0
Replace "0" with "S" xxxxxxxS



G	G1	H	Ch	PN [bar]	Codice/Ref.
Porta manometro connessione diretta / Direct gauge adapter					
M 16x2	ISO 228 G 1/8"	50	17	630	20180000
M 16x2*#	ISO 228 G 1/4"	50	19	630	20140000
M 16x2*#	ISO 228 G 1/2"	55	27	630	20120000
M 16x1.5	ISO 228 G 1/4"	50	19	630	20141500
M 16x1.5	ISO 228 G 1/2"	55	27	630	20121500
S12.65x1.5	ISO 228 G 1/4"	50	19	630	20141200
S12.65x1.5	ISO 228 G 1/2"	55	27	630	20121200
M 16x2*	1/4" - 18 NPTF	50	19	630	2014NPT0
S12.65x1.5	1/4" - 18 NPTF	50	19	630	201412NPT

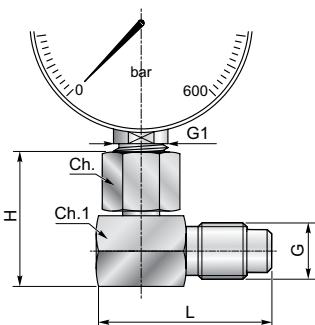
*Disponibili in INOX / Available in Stainless steel #Disponibile tenuta per sensore / Available sensor sealing



G	G1	H	Ch	Ch 1	S max	PN [bar]	Codice/Ref.
Porta manometro passaparete / Bulkhead pressure gauge connection							
M 16x2*	ISO 228 G 1/4"	50	19	19	11	630	18140000
M 16x2*	ISO 228 G 1/2"	57	27	19	13	630	18120000
M 16x1.5	ISO 228 G 1/4"	50	19	19	11	630	18141500
S 12.65x1.5	ISO 228 G 1/4"	50	19	19	11	630	18141200
M 16x1.5	ISO 228 G 1/2"	57	27	19	13	630	18121500
S 12.65x1.5	ISO 228 G 1/2"	57	27	19	13	630	18121200
M 16x2*	1/4" - 18 NPTF	50	19	19	11	630	1814NPT0

*Disponibili in INOX / Available in Stainless steel N.B. : passaggio libero senza valvola / Note: without check valve

Opzioni/Options **S**



G	G1	H	L	Ch	Ch 1	PN [bar]	Codice/Ref.
Porta manometro orientabile 90° / Swivel pressure gauge connection 90° angle							
M 16x2	ISO 228 G 1/4"	36	42	19	19	630	21140000
M 16x2	ISO 228 G 1/2"	43	42	27	19	630	21120000
M 16x1.5	ISO 228 G 1/4"	36	42	19	19	630	21141500
M 16x1.5	ISO 228 G 1/2"	43	42	27	19	630	21121500

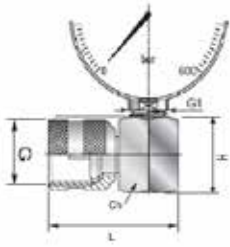
N.B. : passaggio libero senza valvola / Note: without check valve

Opzioni/Options **S**

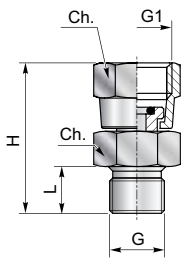


Adattatori

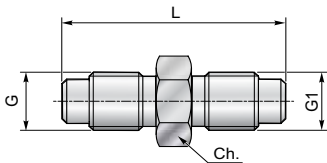
Adapters



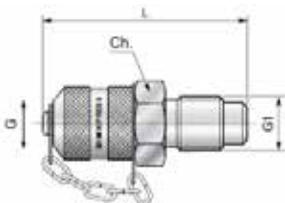
G	G1	H	L	Ch	PN [bar]	Codice/Ref.
Porta manometro fisso 90° / Pressure gauge connection 90° angle						
M 16x2	ISO 228 G 1/2"	38	51	27	630	24GG12F001



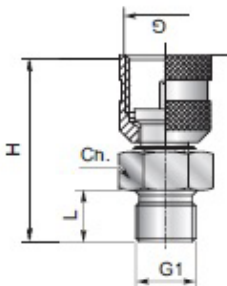
G	G1	H	L	Ch	PN [bar]	Tenuta/Seal	Codice/Ref.
*Disponibili in INOX / Available in Stainless steel							
Rondella di rame (a richiesta) / Copper washer (on request)							
ISO 228 G 1/4"	ISO 228 G 1/4"*	36	12	17	400	*	1814M000
ISO 228 G 1/2"	ISO 228 G 1/2"*	46	15	27	400	*	1812M000
ISO 228 G 1/4"	ISO 228 G 1/2"	50	13	27	400	*	1812M140
ISO 228 G 1/4"	ISO 228 G 1/8"	36.5	14	19	400	*	1814M700
ISO 7/1 R 1/4"	ISO 228 G 1/4"*	34	12	17	400	*	1814MBSPT
ISO 7/1 R 1/2"	ISO 228 G 1/2"*	46	16	27	400	*	1812MBSPT
ISO 7/1 R 1/4"	ISO 228 G 1/2"*	46.5	12	22	400	*	1824MBSPT
ISO 228 G 3/8"	ISO 228 G 1/2"	49.5	12	27	400	*	1812M380



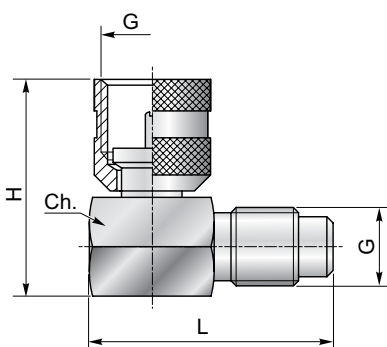
G	G1	L	Ch	PN [bar]	Codice/Ref.
Adattatore diretto per giunzione tubi. Passaggio libero Straight adapter for connection of hoses. Free flow.					
M 16x2	M 16x2	58	17	630	40GD0000
M 16x1.5	M 16x2	58	17	630	40GD1500
M 16x1.5	M 16x1.5	48	17	630	40GD1515



G	G1	L	Ch	PN [bar]	Codice/Ref.
Adattatore diretto con valvola di non ritorno / Straight adapter with no-return valve					
M 16x2	M 16x2	60	17	630	41GV000C
M 16x1.5	M 16x2	60	17	630	41GV150C
M 16x1.5	M 16x1.5	50	17	630	41GV1515C



G	G1	H	L	Ch	PN [bar]	Codice/Ref.
Porta manometro orientabile 90° / Swivel pressure gauge connection 90° angle						
M 16x2	ISO 228 G 1/4"	48	12	19	400	23GG1400
M 16x1.5	ISO 228 G 1/4"	48	12	19	400	23GG1415



G	H	L	Ch	PN [bar]	Codice/Ref.
Passaggio libero adattatore giunzione 90° orientabile / 90° Swivel adapter free passage					
M 16x2	42	41	19	630	24GG0000
M 16x1.5	42	41	19	630	24GG1500
Opzione con valvola a pistone su filetto maschio / Option with poppet valve in male thread					
M 16x2	42	41	19	630	S124GG0000
M 16x1.5	42	41	19	630	S124GG1500

MINI PRESS s.r.l.

40056 VALSAMOGGIA (BO) - ITALY

LOC. CREPELLANO - VIA G. DI VITTORIO 1 - 3

TEL. +39.051.6869070 . FAX +39.051.977842 . INFO@MINIPRESS.IT . WWW.MINIPRESS.IT