

WATERPROOF 48 - WATERPROOF DEVICES

DESCRIPTION



- Products in technical thermoplastic - resistant material, non-conductive.
- White (RAL 9003).
- Grey (RAL 7035).

CHARACTERISTICS

- Mechanisms in technical thermoplastic - resistant material, non-conductive.
- High resistance against impacts and against elements (IK07 and IP65).
- Control Devices
 - 16A - 250V~ - Connections with screw terminals. It allows the usage of rigid and flexible cable.
 - Pilot Light.
 - In accordance with EN 60669-1 Standard, tested according to 19.3:

Relationship between rated current of the switch and rated power of the SBL circuit	
Rated current of the switch, I_n [A]	Rated power of the SBL circuit [W]
$I_n \leq 10$	100
$10 < I_n \leq 13$	150
$13 < I_n \leq 16$	200
$16 < I_n \leq 20$	250

SBL - Self Ballasted Lamp (CFL or LED)

■ Energy Sockets

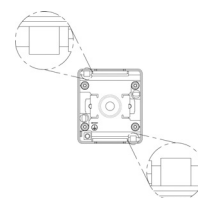
- Earth Socket (Schuko and French types):
 - 16A - 250V~.
 - Connections with screw terminals.
 - In accordance with IEC 60884-1; DIN VDE 0620-1 (Schuko) and NF C 61-314 (French) Standards.
 - Energy Sockets: Singles, Double Vertical and Horizontal.

■ **Variety of Functions:** Control Devices, Electrical Blinds Control, Energy Sockets, etc...

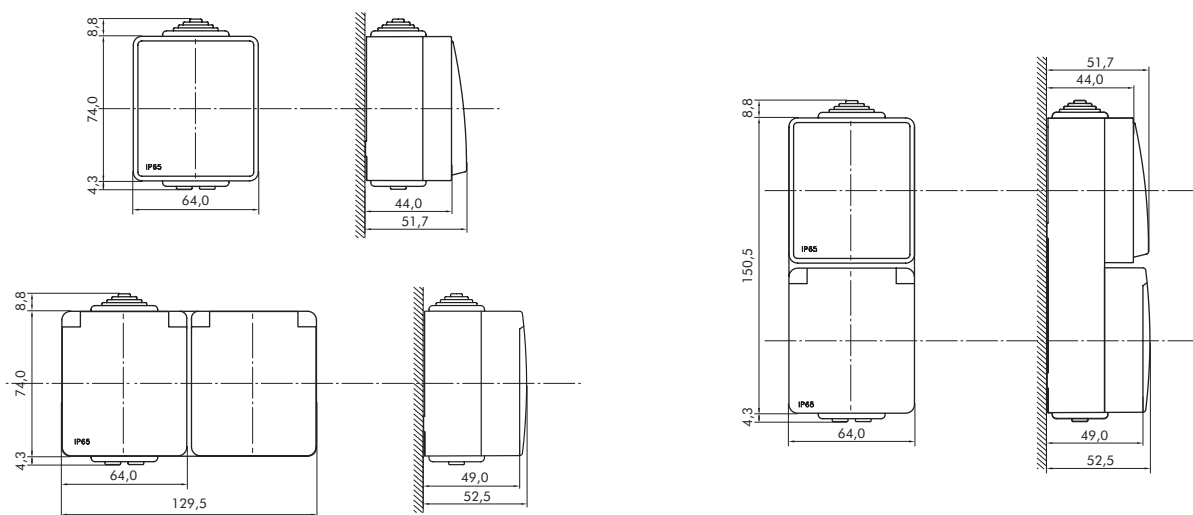
■ Possibility of double vertical combination (Ref. 48995 A) or horizontal combination (Ref. 48994 A) with resource of Double Bases.

■ Adaptation of functions of **QUADRO 45** by using the 48 Series Box with Cover for QUADRO 45 Series (Ref. 48998 C).

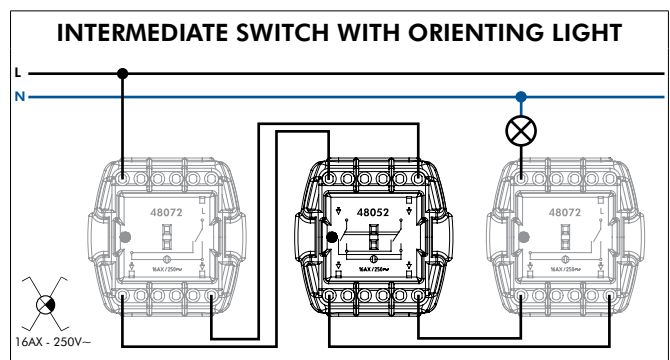
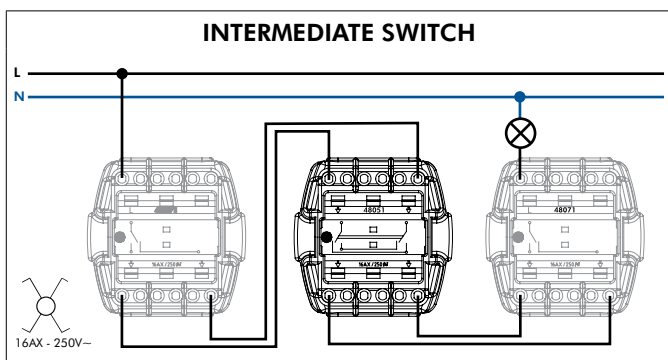
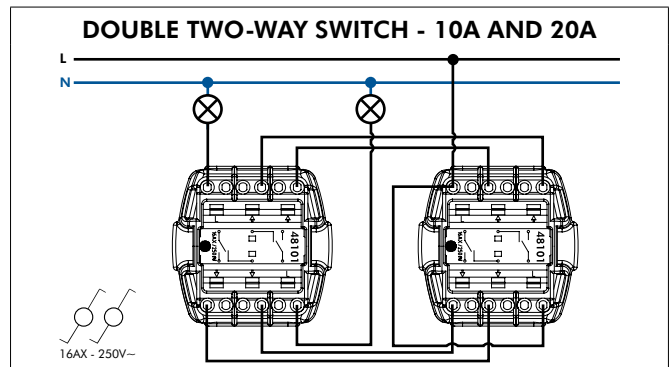
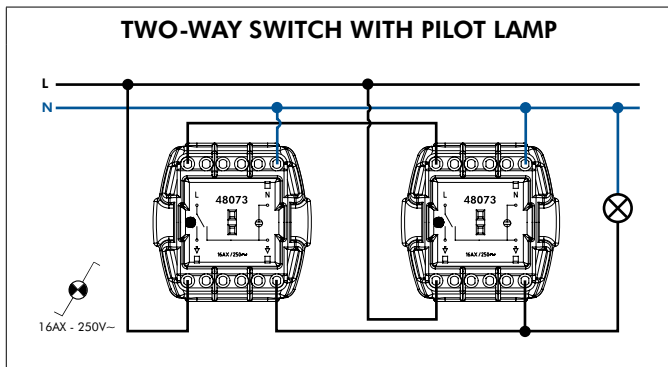
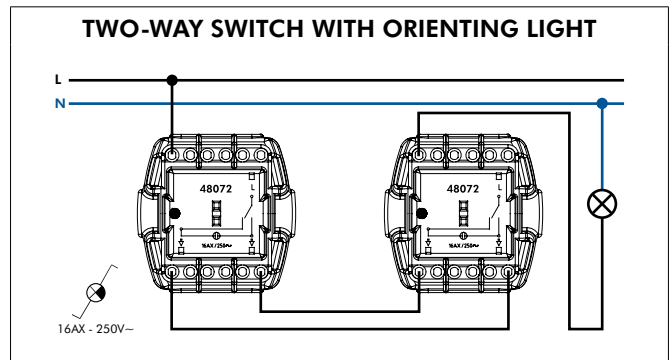
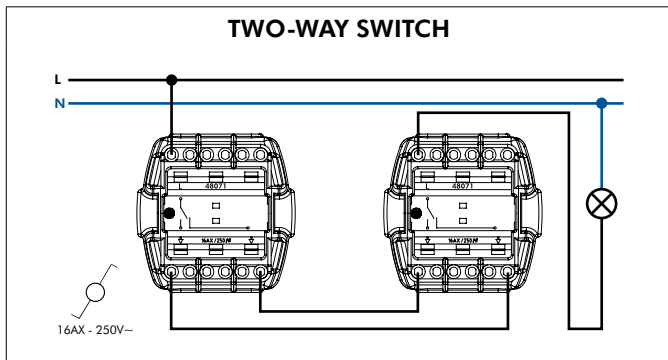
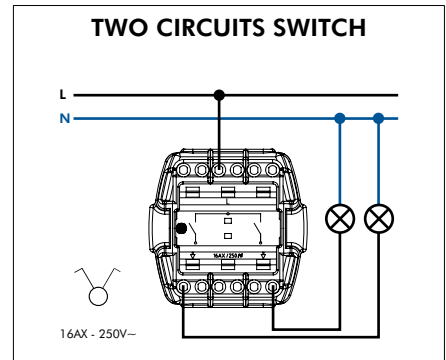
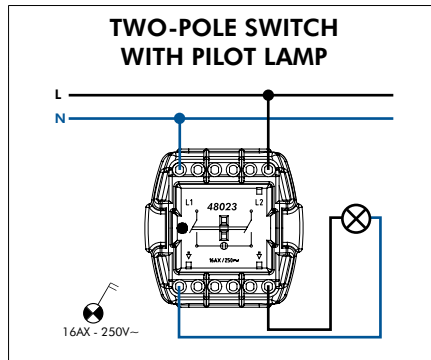
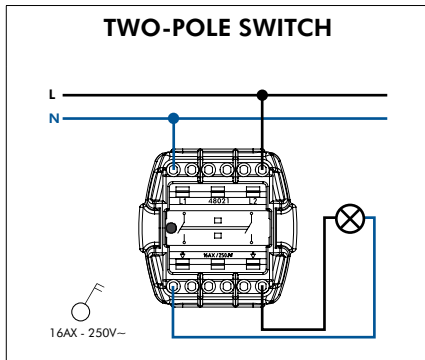
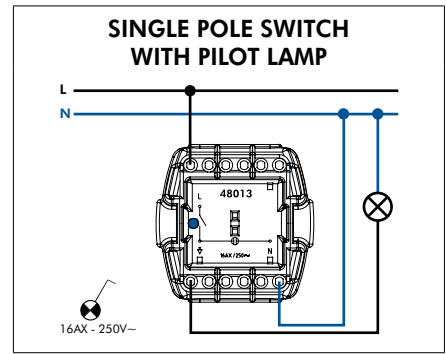
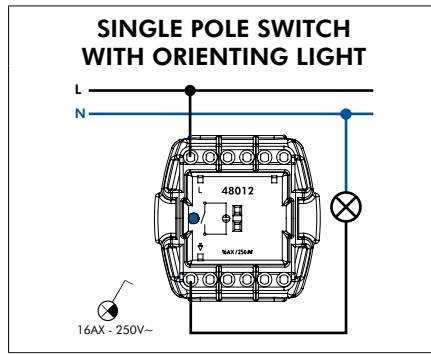
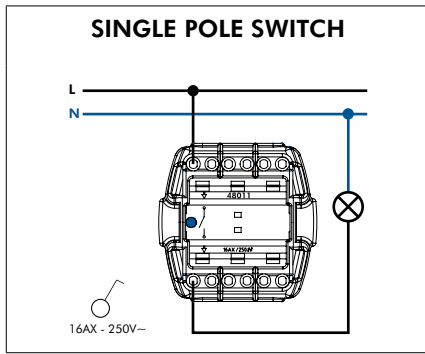
■ **Draining Holes:** All the products of the **Waterproof 48 Series** have two pre-drilled draining holes. Depending on the mounting position of the product, the draining hole pointing to the lower part of the base must be open.



DIMENSIONS (mm)



WATERPROOF 48 - WIRING DIAGRAMS



WATERPROOF 48 - WIRING DIAGRAMS

