

## MX-HC 201 / 202 / 203

### HOSE COUPLING SERIES:

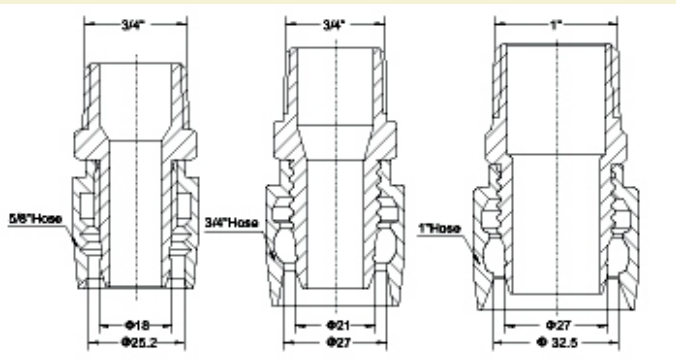


Product #	Size	Hose ID	Max. Flow
MX-HC 201	3 / 4 " BSPT	5 / 8 "	50 L/min.
MX-HC 202	3 / 4 " BSPT	3 / 4 "	50 L/min.
MX-HC 203	1 " BSPT	1 "	120 L/min.

### Features and Benefits:

- The MaximuS couplings are designed for use between the hose and the pipe or between the hose and other equipment.
- The couplings can be re-used for the same application.
- 100% tested by the factory.

### Drawings and Dimensions:



### Materials and Technical Specifications:

- Body: Brass
- Seals: Viton
- Bushing: Brass
- Surface: Electronic Chrome Plated
- Flow Rate: Max. 50 or 120 L/min.