

MX-HS 101 / 102 / 103

HOSE SWIVEL COUPLING SERIES:

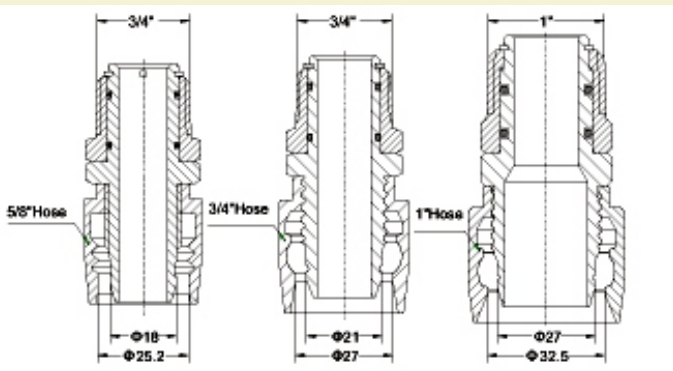


Product #	Size	Hose ID	Max. Flow
MX-HS 101	3 / 4 " BSPT	5 / 8 "	50 L/min.
MX-HS 102	3 / 4 " BSPT	3 / 4 "	50 L/min.
MX-HS 103	1 " BSPT	1 "	120 L/min.

Features and Benefits:

- The MaximuS swivels are designed for the use between the hose and the pipe or between the hose and other equipment
- Provides 360 degree swivel action
- Reduces the physical strain of aligning the nozzle with the fill pipe
- Can be re-used for the same application
- 100% tested by the factory

Drawings and Dimensions:



Materials and Technical Specifications:

- Body: Brass
- Seals: Viton
- Bushing: Brass
- Surface: Electronic Chrome Plated
- Flow Rate: Max. 50 or 120 L/min.