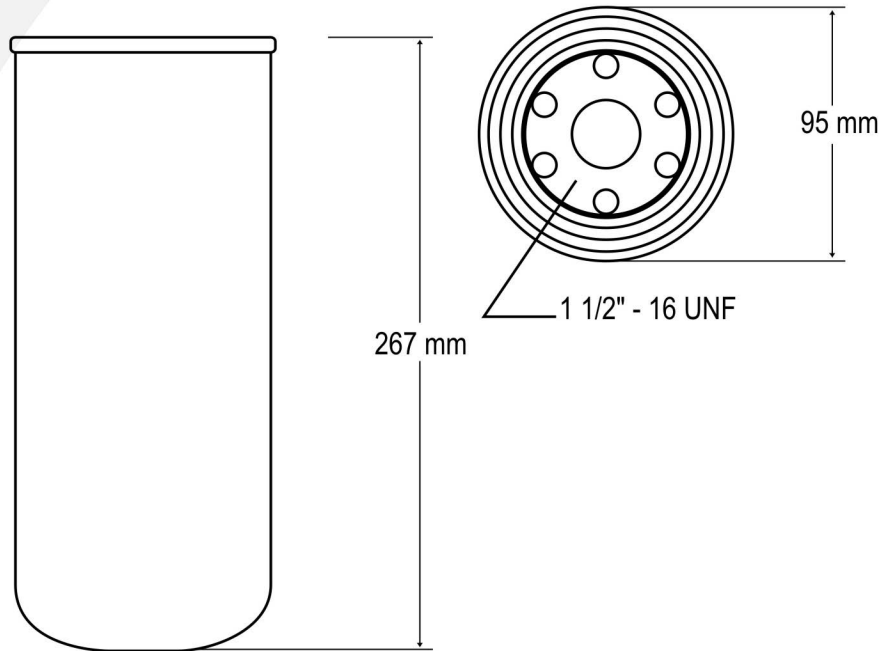


## CT70098 FILTER 475 HS-II-10 CT70043 FILTER 475 HS-II-30

Version 1.00 / October 2005



### Dimensional Information:



### Application:

- 475 HYDROSORB® Spin-on Filters are designed for service station pumps and dispensers.
- These filters are predominantly used on Gilbarco Advantage Dispensers.
- The 475 Hydrosorb® filters are not recommended for gravity-flow applications, but are designed to remove free water, emulsified water, and particulates from diesel fuels, gasoline, and fuel oils.
- 475 HYDROSORB® II Spin-on Filters are not to be used with aviation fuels.

### Features:

- The maximum flow is 120 L/min.
- The maximum working pressure is 3.4 BAR (The maximum differential pressure is 1.7 BAR).
- The 475 HYDROSORB® Spin-on Filters have a high-capacity 1" opening required for newer model service station pumps and Gilbarco Advantage Series dispensers.
- The 475HS-II-10, a nominal 10 micron, is recommended for gasoline and diesel fuels.
- The 475HS-II-30, a nominal 30 micron, may be preferred for heavier distillates such as diesel fuel and fuel oils.
- The water-holding capacity for the 475HS-II-10 and the 475HS-II-30 is 390 milliliters before flow restriction occurs.
- The 475 HYDROSORB® Spin-on Filters are recognized by Underwriters Laboratories for use on service station pumps and high-speed dispensers.
- With their extended length the 475 offers added filter life in the field.