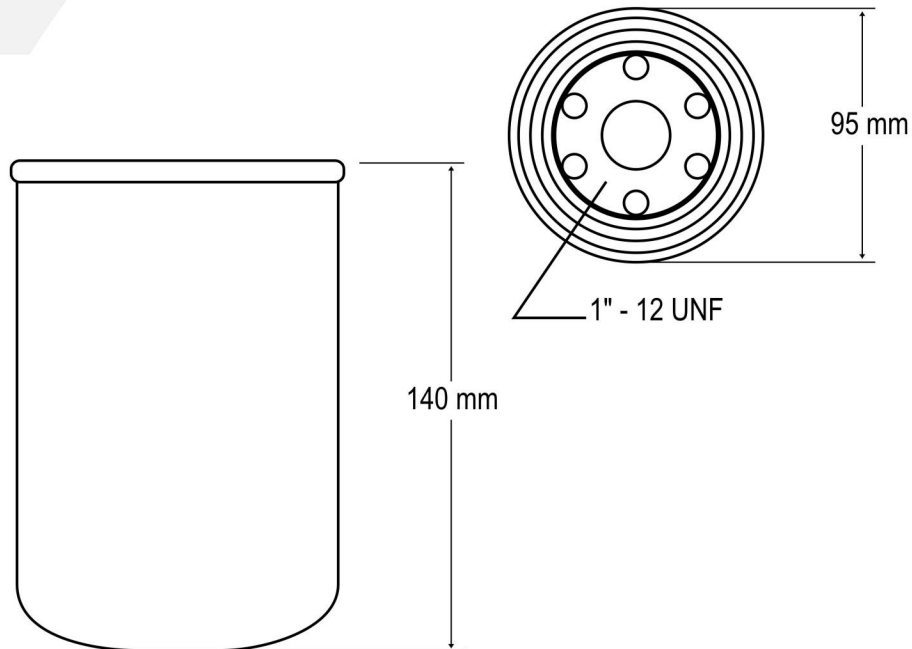


CT70059 FILTER 300 HS-II-10 CT70064 FILTER 300 HS-II-30

Version 1.00 / October 2005



Dimensional Information:



Application:

- 300 HYDROSORB Spin-on Filters, designed for service station pumps and dispensers.
- 300 HYDROSORB Spin-on Filters should not be used with aviation fuels.

Features:

- The maximum flow is 56 L/min.
- The maximum working pressure is 3.4 BAR (The maximum differential pressure is 1.7 BAR).
- The 300 HYDROSORB Spin-on Filters have a standard 3/4" opening required for most service station pumps and dispensers.
- The 300HS-II-10, a nominal 10 micron, is recommended for gasoline and diesel fuels.
- The 300HS-II-30, a nominal 30 micron, may be preferred for heavier distillates such as diesel fuel and fuel oils.
- The water-holding capacity for the 300HS-II-10 and 30 is 130 milliliters before flow restriction occurs.
- The 200 H-3/4" or 1" Aluminium adaptor (CT50010-ALF or CT50009-ALF) are featured as the most commonly used adaptor for standard 3/4" and 1" BSP inlet/outlet applications.