

MX-290M



Introduction:

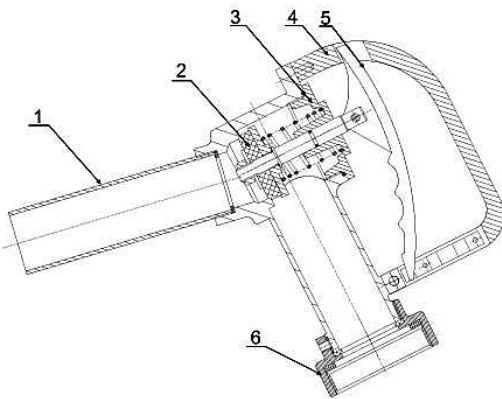
- The MaximuS MX-290M Manual Nozzles series are designed for High Flow, Bulk Fuel Oil Delivery Services.

Features and Benefits:

- Nozzle can be used with diesel, kerosene and all kinds of gasoline
- Aluminum body, light weight and easy to operate
- One Hand control of hold-open mechanism means easy setting of flow rate
- Never leave during usage of the nozzle
- **Double checked by Quality Control, after final assembly**

Materials and Technical Specifications:

- Body: Cast Aluminum
- Seals: **Viton**
- Main Stem: Brass
- Weight: 1.52 kg
- Inlet: 1-1/2" BSPT
- Outlet: 1-10/13" Spout
- Flow Rate: Max. 290 L/min.



KEY	DESCRIPTION	MX-290M
1	Spout 1-10/13"	*
2	Main Valve Assembly	*
3	Cap	*
4	Lever Guard	*
5	Lever	*
6	Replaceable Adaptor	*