

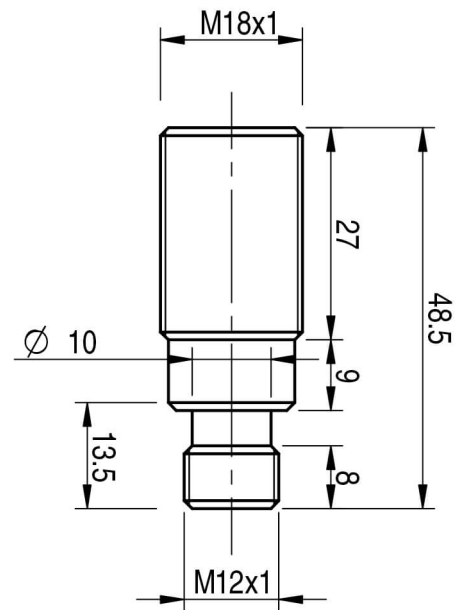
AK6/D2-5H

cylindrical inductive



Micro Detectors

Italian Sensors Technology



Detection properties

Operating distance	0...10mm
Standard target	30x30mm FE360
Thermal drift of Sr	< 10%
Repeat Accuracy	0,3mm (UB 20...30Vcc/Vdc Ta=23°C ±5°C)
Resolution	≤2μm

Outputs

Output type	0-10V + 4-20mA
Output Function	Analogue

Electrical data

Operating Voltage	10...30Vdc
No-Load supply current	≤ 12mA
Load current	≤ 10mA
	0V - 0 + 0,4V (23°C) +5,2V ± 0,4V (23°C) +10V ± 0,4V (23°C)
	500Hz

4mA ± 0, ≤ 8mA (23°C) 20mA ± 0, ≤ 8mA (23°C)

500Ω (UB = 15V) / 1kΩ (UB = 30V)

Max ripple content	≤20%
Time delay before availability	≤ 50ms
Short-circuit protection	Yes
Reverse Polarity Protection	Yes

Mechanical data

Mounting	Partially Shielded
Dimensions	M18 x 1 / L = 48,5mm
Weight	55g
Housing Material	Nickel-plated brass
Connections	M12 Plug
Active Head Material	PBT
Tightening torque	25Nm
Operating temperature	-25°C...+70°C
Diameter/Dimension	M18

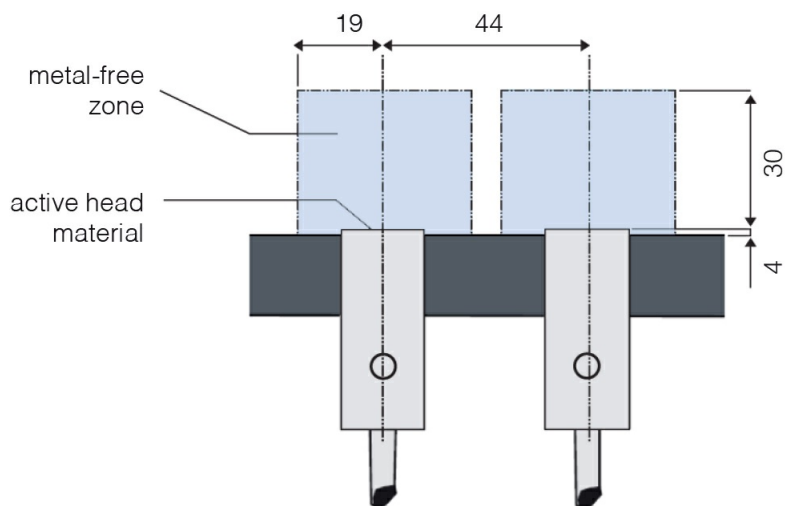
Test/Approvals

Approvals	CE
EMC compatibility	IEC 60947-5-2
Shocks and vibrations	Vibration IEC 60068-2-6 / Shock IEC 60068-2-27
Degree of protection	IP67

Accessories

Supplied Accessories	2 nuts M18x1
----------------------	--------------

INSTALLATION



M.D. Micro Detectors S.p.A.

Strada S.Caterina, 235
41122 Modena (MO)
Tel. 059 420411
Fax 059 253973
E-mail info@microdetectors.com

date of printing

25/08/2020 11:31:29