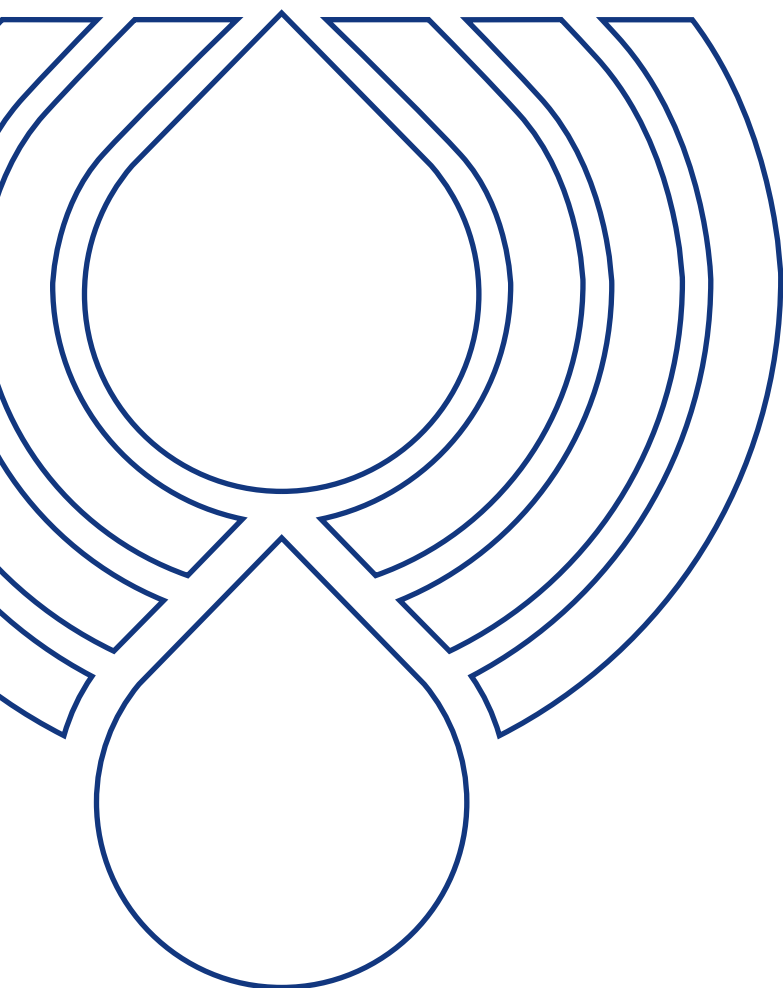


TANK ACCESSORIES

AIR BREATHERS AND FILLER PLUGS



PASSION TO PERFORM





A WORLDWIDE LEADER IN THE FIELD OF HYDRAULIC FILTRATION EQUIPMENT.

Our company started life in 1964, when Bruno Pasotto decided to attempt to cater for the requests of a market still to be fully explored, with the study, design, development, production and marketing of a vast range of filters for hydraulic equipment, capable of satisfying the needs of manufacturers in all sectors. The quality of our products, our extreme competitiveness compared with major international producers and our constant activities of research, design and development has made us a worldwide leader in the field of hydraulic circuit filtering. Present for over 50 years in the market, we have played a truly decisive role in defining our sector, and by now we are a group capable of controlling our entire chain of production, monitoring all manufacturing processes to guarantee superior quality standards and to provide concrete solutions for the rapidly evolving needs of customers and the market.

MARKET LEADER



Our work is based on a skillful interaction between advanced technology and fine workmanship, **customizing products according to specific market requests**, focusing strongly on innovation and quality, and following every step in the manufacturing of both standard and special products, fully respecting customer expectations.



Our customer-oriented philosophy, which enables us to satisfy all customer requests **rapidly and with personalized products**, makes us a **dynamic and flexible enterprise**. The possibility of constantly controlling and monitoring the entire production process is essential to allow us to guarantee the quality of our products.

WORLDWIDE PRESENCE

Our foreign Branches enable us to offer a diversified range of products that allow us to successfully face the aggressive challenge of international competition, and also to maintain a stable presence at a local level.

The Group boasts **8** business branches



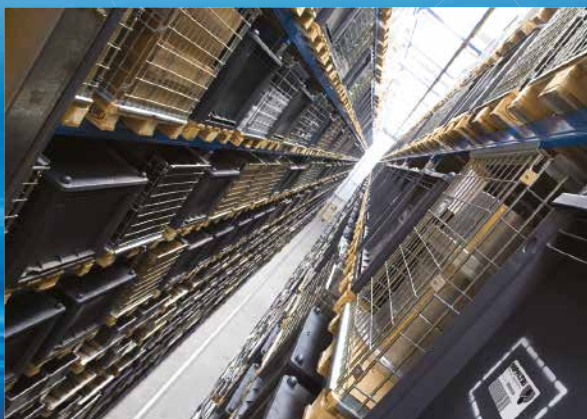
TECHNOLOGY

Our constant **quest for excellence in quality and technological innovation** allows us to offer only the best solutions and services for applications in many fields, including general industry, test rigs, lubrication, heavy engineering, renewable energies, naval engineering, offshore engineering, aviation systems, emerging technologies and mobile plant (i.e. tractors, excavators, concrete pumps, platforms).



AND PRODUCTION

Our high level of technological expertise means **we can rely entirely on our own resources, without resorting to external providers.** This in turn enables us to satisfy a growing number of customer requests, also exploiting our constantly updated range of machines and equipment, featuring **fully-automated workstations** capable of **24-hour production.**





SUCTION FILTERS

Flow rates
up to 875 l/min

- Mounting:
- Tank immersed
 - In-Line
 - In tank with shut off valve
 - In tank with flooded suction

RETURN FILTERS

Flow rates
up to 3000 l/min

- Pressure
up to 20 bar
- Mounting:
- In-Line
 - Tank top
 - In single and duplex designs

RETURN / SUCTION FILTERS

Flow rates
up to 300 l/min

- Pressure
up to 80 bar
- Mounting:
- In-Line
 - Tank top

SPIN-ON FILTERS

Flow rates
up to 365 l/min

- Pressure
up to 35 bar
- Mounting:
- In-Line
 - Tank top

LOW & MEDIUM PRESSURE FILTERS

Flow rates
up to 3000 l/min

- Pressure
up to 80 bar
- Mounting:
- In-Line
 - Parallel manifold version
 - In single and duplex designs

HIGH PRESSURE FILTERS

Flow rates
up to 750 l/min

- Pressure from 110 bar
up to 560 bar
- Mounting:
- In-Line
 - Manifold
 - In single and duplex designs

PRODUCT RANGE

MP Filtri can offer a vast and articulated range of products for the global market, suitable for all industrial sectors using hydraulic equipment.

This includes filters (suction, return, return/suction, spin-on, pressure, stainless steel pressure) and structural components (motor/pump bell-housings, transmission couplings, damping rings, foot brackets, aluminium tanks, cleaning covers).

We can provide all the skills and solutions required by the modern hydraulics industry to monitor contamination levels and other fluid conditions.

Mobile filtration units and a full range of accessories allow us to supply everything necessary for a complete service in the hydraulic circuits.



STAINLESS STEEL HIGH PRESSURE FILTERS

Flow rates up to 125 l/min
Pressure from 320 bar up to 1000 bar

- Mounting:
- In-Line
 - Manifold
 - In single and duplex designs

CONTAMINATION MONITORING PRODUCTS

- Online, in-line particle counters
- Off-line bottle sampling products
- Fully calibrated using relevant ISO standards
- A wide range of variants to support fluid types and communication protocols

MOBILE FILTRATION UNITS

Flow rates from 15 l/min up to 200 l/min

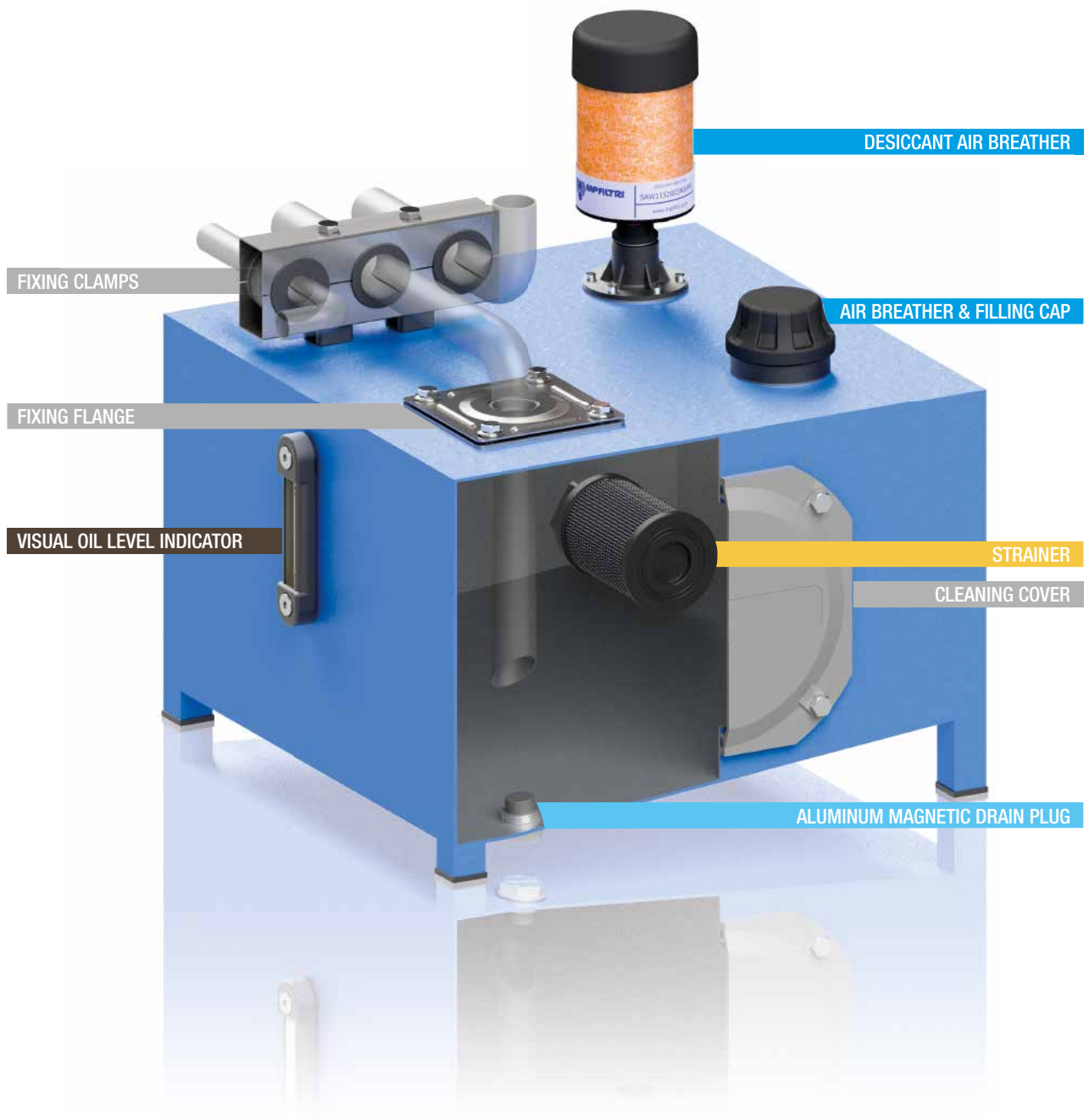
POWER TRANSMISSION PRODUCTS

- Aluminium bell-housings for motors from 0.12 kW to 400 kW
- Couplings in Aluminium Cast Iron - Steel
- Damping rings
- Foot bracket
- Aluminium tanks
- Cleaning covers

TANK ACCESSORIES

- Oil filler and air breather plugs
- Optical and electrical level gauges
- Pressure gauge valve selectors
- Pipe fixing brackets
- Pressure gauges

TANK ACCESSORIES



1 page INTRODUCTION

1	COMPANY
6	PRODUCT RANGE

10 page STRAINERS

13	STR & MPA - MPM	Submerged suction filter, with bypass or magnetic column
----	-----------------	--

20 page AIR BREATHERS AND FILLER PLUGS

23	SAP 054-075 - SA	Air breathers
29	SAW 115	Desiccant air breathers
33	SCS	Metal air breathers with interchangeable filter element
39	SME 1 - SMF 1 - SML 1	Risers for breathers and filler caps installation
45	TA 46 - TAP 50 - SAP 50	Filling cap, air breather & filling cap
53	TA 80	Filling cap
57	TAP 90	Air breather & filling cap
63	TAP 114	Air breather & filling cap
67	TAP 115 & SAP 115	Filling cap, air breather & filling cap

72 page FILLER AND DRAIN PLUGS

75	TC 50	Nylon filler plug
79	TKT - TSD	Nylon filler plugs
79	TKM	Aluminium magnetic drain plug

86 page VISUAL OIL LEVEL INDICATORS

89	LCP - LCC	Spy eyes
95	LVA - LVU	Visual oil level indicator

100 page ELECTRICAL OIL LEVEL INDICATORS

103	LEN - LEG - LET - LEM - LEU	Electrical oil level indicator
115	LVK	Electrical and visual oil level indicator

120 page ACCESSORIES

123	EM1	Gauge isolator valves
129	SVM	Gauge isolator valves
133	FTA - FTR	Oil tank fixing flange
137	SFT	Fixing clamps
143	OB	Cleaning covers
149	SE10LT	Aluminium tanks



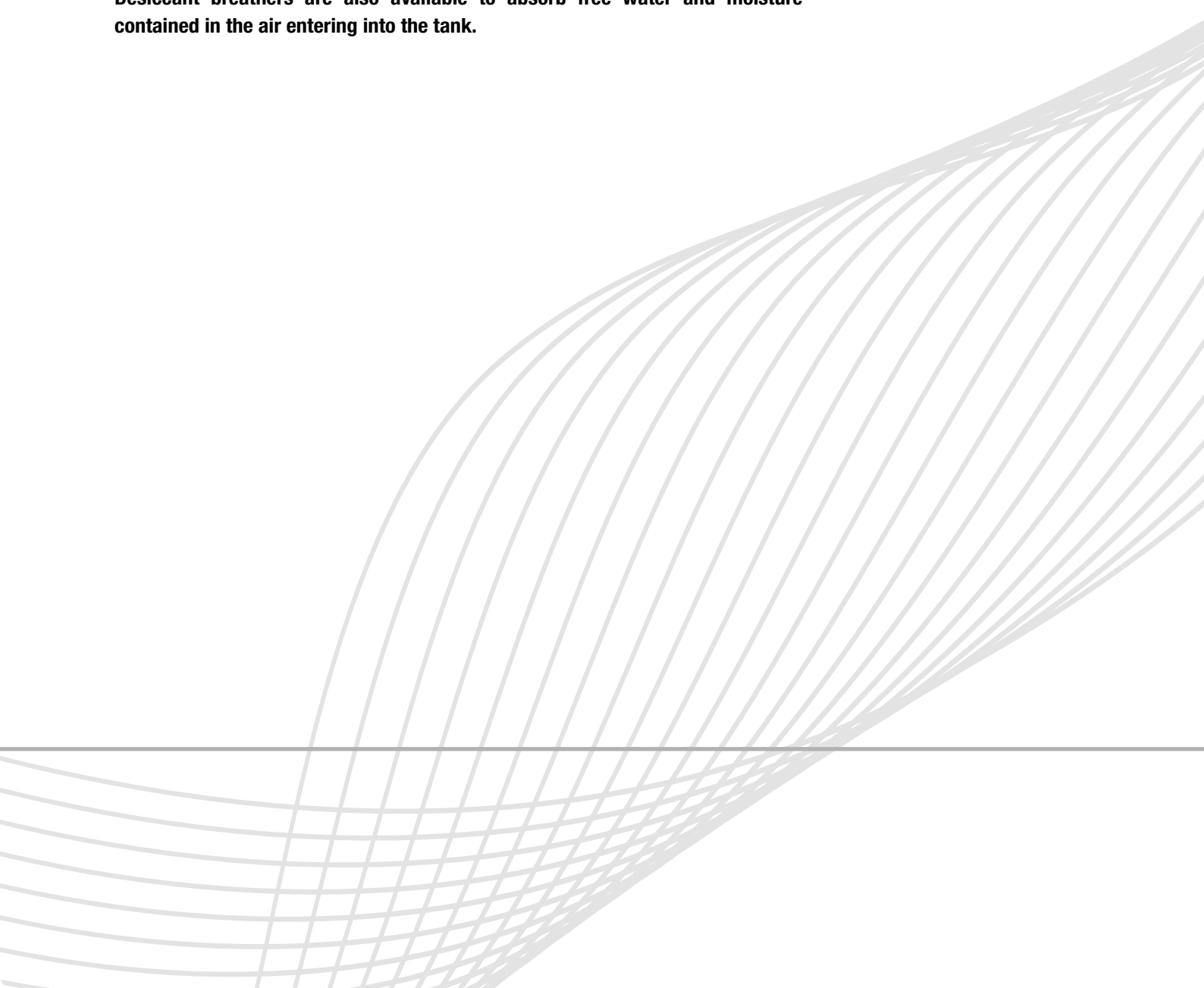
The complete series of air breathers and filler plugs makes it possible to meet all market demands.

Metal and plastic versions suitable for use on mobile equipment are available.

Filler plugs perform a dual function, air filtration at the tank inlet and prefiltration of the fluid by means of the basket, in order to prevent the ingress of foreign material into the tank during filling and top-up operations.

Correct operation of breather filters makes for longer life of the filter cartridges installed in the hydraulic circuit, and in applications where high level of contamination are present.

Desiccant breathers are also available to absorb free water and moisture contained in the air entering into the tank.



Air Breathers & Filler Plugs



SAP 054-075 - SA	page 23
SAW 115	29
SCS	33
SME 1 - SMF 1 - SML 1	39
TA 46 - TAP 50 - SAP 50	45
TA 80	53
TAP 90	57
TAP 114	63
TAP 115 & SAP 115	67

SAP 054-075 series

Nylon air breather filter

SA series

Metal air breather filter



Technical data

Air breathers & Filler plugs

Nylon air breather filter Flow rate up to 400 l/min

SAP is a range of plastic air breathers for protection of the tank against the solid contamination contained into the air. They are usually directly fitted on the tank.

Available features:

- Male threaded connections up to 3/4", for a maximum flow rate of 400 l/min
- Replaceable filter element
- Fine cellulose filtration, to get a good cleanliness level into the reservoir
- Polyester media is an option for heavy environmental conditions (high humidity, sand ...)

Common applications:

- Mobile machines (construction and agriculture machines)
- Industrial equipment

Flow rate Δp 0.02 bar

	Flow rate [l/min]	
	Filtration rating	L03
SAP054	200	250
SAP075	350	400

Materials

- Cover: Nylon
- Connection: Nylon
- Filter element: Resin impregnate paper

Temperature

From -25 °C to +100 °C

Weight

SAP 054 - 0.06 kg
SAP 075 - 0.15 kg



Designation & Ordering code

COMPLETE AIR BREATHER

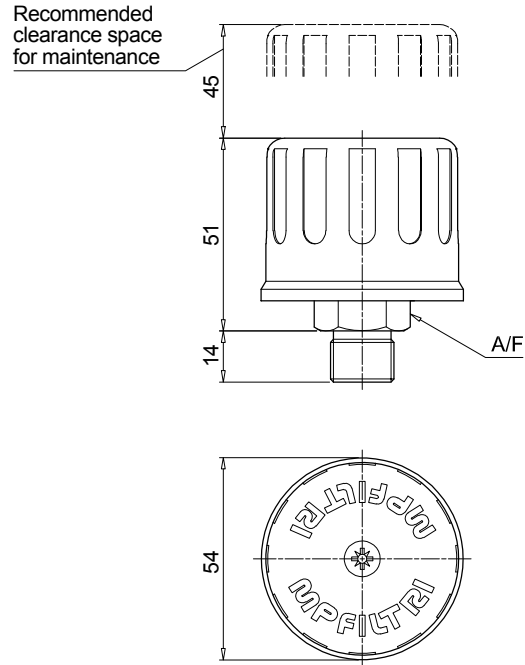
Series and size	Configuration example : SAP054 G2 L10 A P01				
SAP054					
SAP075					
Connections to the tank	SAP054	SAP075			
G1	G 3/8"	G 1/2"			
G2	G 1/2"	G 3/4"			
Filtration rating					
L03	Resin impregnate paper	3 µm			
L10	Resin impregnate paper	10 µm			
Seals					
A	NBR				
			Execution		
			P01	MP Filtri standard	
			Pxx	Customized	

FILTER ELEMENT

Filter element series and size	Configuration example : A4 L10 P01			
A4	SAP054			
A7	SAP075			
Filtration rating				
L03	Resin impregnate paper	3 µm		
L10	Resin impregnate paper	10 µm		
			Execution	
			P01	MP Filtri standard
			Pxx	Customized

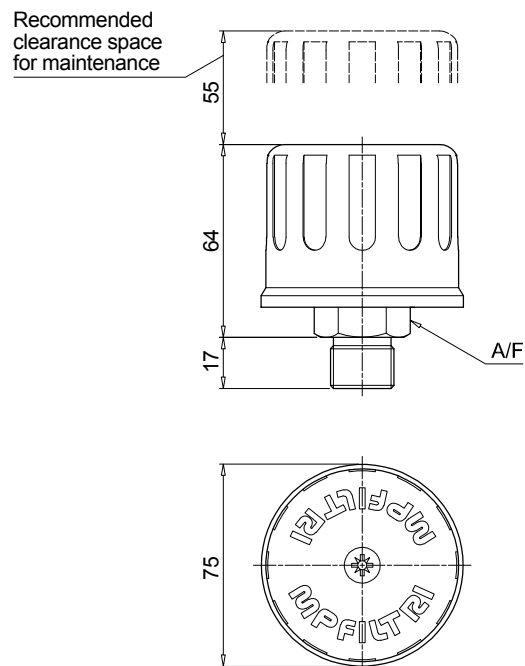
SAP054

Connection	A/F [mm]
G1	22
G2	27



SAP075

Connection	A/F [mm]
G1	27
G2	32



Technical data

Air breathers & Filler plugs

Metal air breather filter

Flow rate up to 2500 l/min

SA is a range of metal air breathers for protection of the tank against the solid contamination contained into the air.

They are usually directly fitted on the tank. The robust design allows the use of these filters in any heavy-duty application.

Available features:

- Male threaded connections up to 2 1/2", for a maximum flow rate of 2500 l/min
- Replaceable filter element
- Fine cellulose filtration, to get a good cleanliness level into the reservoir
- Polyester media is an option for heavy environmental conditions (high humidity, sand ...)

Common applications:

- Mobile machines (construction and agriculture machines)
- Industrial equipment

Flow rate Δp 0.02 bar

	Flow rate [l/min]	
	Filtration rating	L03
SA036	140	140
SA053	250	250
SA075	350	400
SA115	800	850
SA145	1800	1850
SA185	2300	2500

Materials

- Cover: Steel
- Connection: Anodized steel, Galvanized steel
- Filter element: Resin impregnate paper
- Screws: Galvanized steel
- Washer: Teflon
- Ring: Galvanized steel
- Seals: NBR

Temperature

From -25 °C to +100 °C

Weight

- SA 036 - 0.08 kg
- SA 053 - 0.15 kg
- SA 075 - 0.26 kg
- SA 115 - 0.40 kg
- SA 145 - 0.59 kg
- SA 185 - 1.22 kg



Designation & Ordering code

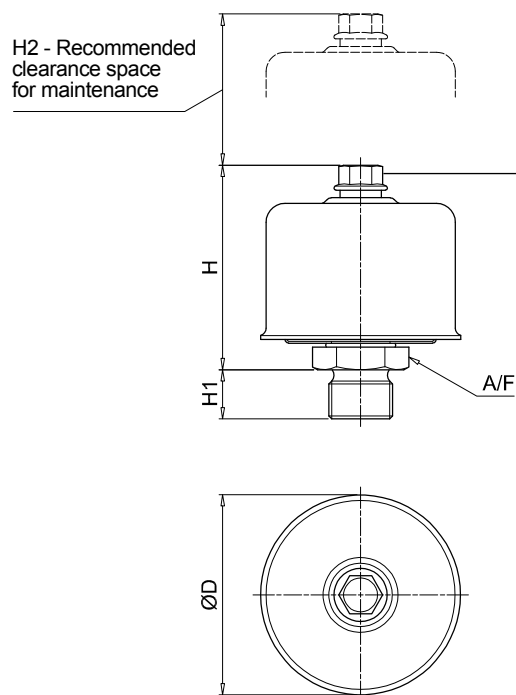
COMPLETE AIR BREATHER

Series and size						Configuration example : SA115 G1 L10 A P01				
SA036	SA053	SA075	SA115	SA145	SA185					
Connections to the tank										
	SA036	SA053	SA075	SA115	SA145	SA185				
G1	G 1/4"	G 1/4"	G 1/2"	G 1"	G 1 1/2"	G 2 1/2"				
G2	G 3/8"	G 3/8"	G 3/4"	-	-	-				
G3	G 1/2"	-	-	-	-	-				
G4	1/4" NPT	1/4" NPT	1/2" NPT	1" NPT	1 1/2" NPT	2 1/2" NPT				
G5	3/8" NPT	3/8" NPT	3/4" NPT	-	-	-				
G6	1/2" NPT	-	-	-	-	-				
Filtration rating										
L03	Resin impregnate paper		3 μ m							
L10	Resin impregnate paper		10 μ m							
S	Without filter element									
							Seals		Execution	
							A NBR		P01 MP Filtri standard	
									Pxx Customized	

FILTER ELEMENT

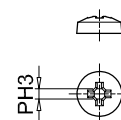
Filter element series and size						Configuration example : A8 L10 P01		
A05	A5	A7	A8	A10	A11			
Filtration rating (filter media)								
L03	Resin impregnate paper		3 μ m					
L10	Resin impregnate paper		10 μ m					
								Execution
								P01 MP Filtri standard
								Pxx Customized

SA

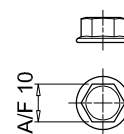


Type of bolt/nut

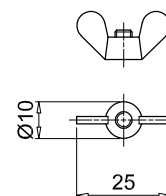
Phillips:
SA036



Hex:
SA053
SA075
SA115
SA145



Wings:
SA185



Type	Connection	ØD [mm]	H [mm]	H1 [mm]	H2 [mm]	A/F [mm]
036	G1 ÷ G6	36	37	13	30	22
053	G1-G2-G4-G5	53	53	13	50	22
075	G1	75	69	13	60	27
	G2			17		32
	G4			15		27
	G5			20		32
115	G1 - G4	115	80	17	70	38
145	G1 - G4	145	115	25	100	55
185	G1 - G4	185	164	25	150	90

SAW 115 series

Moisture control desiccant air breather



SAW 115 GENERAL INFORMATION

Technical data

Air breathers & Filler plugs

Moisture control desiccant air breather

Max air flow up to 453 l/min

SAW is a range of desiccant breathers; they are products that combine the filtration of the solid contamination and the absorption of the free water contained into the air.

They are usually directly fitted on the tank; the filter layers remove the solid contamination while the desiccant agent holds the moisture contained in the air that enters into the tank as result of the tank breathing.

While in service or during shut-down, the desiccant agent dries the equipment, absorbing moisture from the reservoir.

Available features:

- Male threaded connections up to 1", for a maximum flow rate of 453 l/min
- Fine filtration rating, to get a good cleanliness level into the reservoir

Common applications:

Hydraulic systems, oil storage, tanks, transformers, renewable energy, Gearboxes.

Chemical Compatibility

Recommended:

- All Gear Oil
- Most Hydraulic Fluid
- Mineral and Synthetic Oil

Not Recommended:

- Phosphate Ester
- Hydrogen Sulphide
- Sulphuric Acid
- High Alkaline Cleaner

Flow rate Δp 0.02 bar

	Flow rate [l/min]
Filtration rating	03
SAW115	453

Materials

Connection: Nylon
Internal Support Pipe: Nylon
Screen: Polycarbonate
Cover: Nylon
Dryer Agent: Silica Gel

Filter Efficiency 3 μ m absolute (B₃ \geq 200)

Seals NBR

Temperature From -25 °C to +90 °C

Humidity Level Below Ambient Conditions

SAW115G03A00P01: protects 30,000+ cycles

Deliquescent: Protects 5,000 cycles
(Testing parameters 23 °C, 30 l/min)

Silica Gel Weight

Lenght 1: 0.32 kg
Lenght 2: 0.56 kg
Lenght 3: 0.84 kg

Total Weight

Lenght 1: 0.60 kg
Lenght 2: 0.90 kg
Lenght 3: 1.20 kg



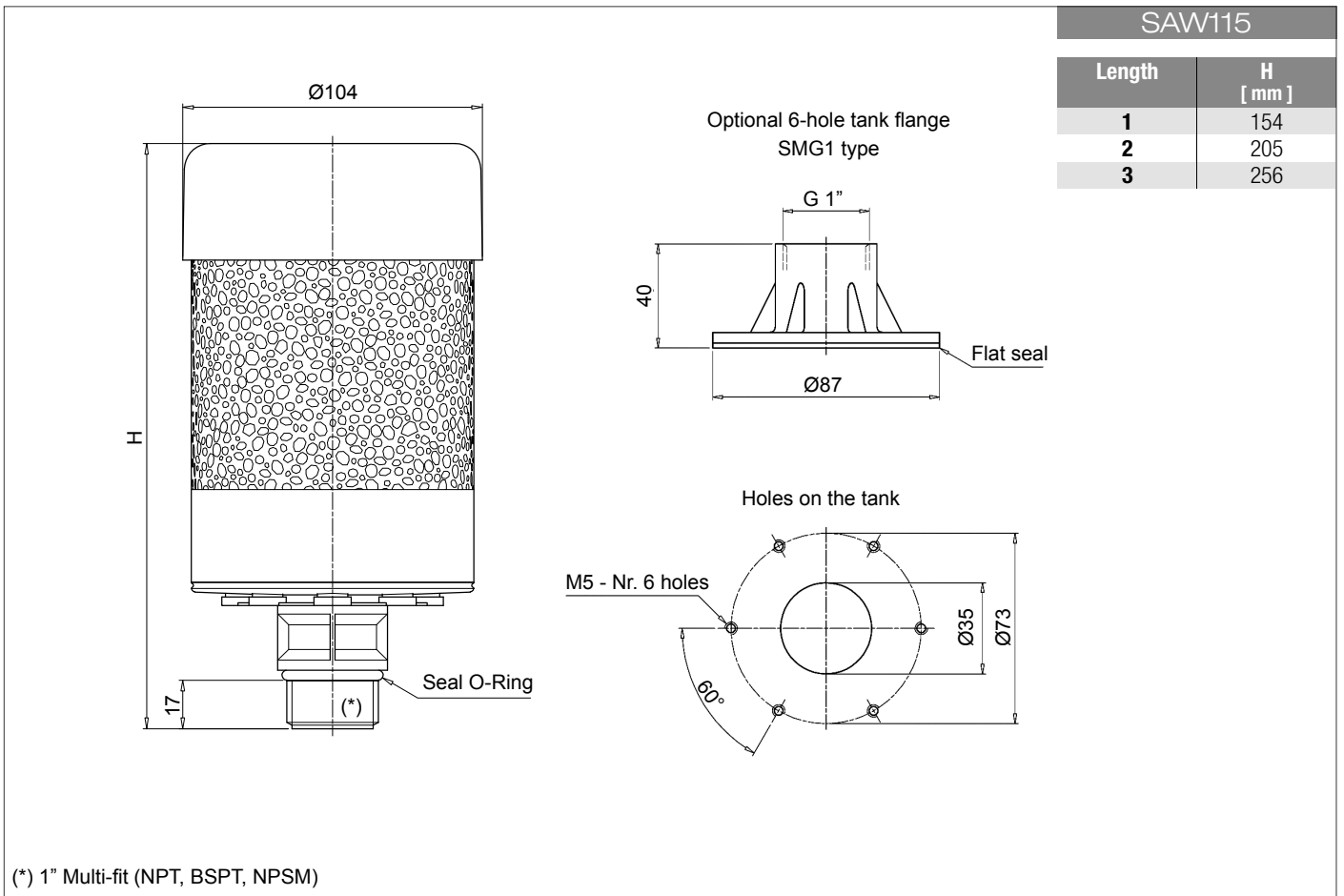
Designation & Ordering code

MOISTURE CONTROL DESICCANT BREATHER

Series and size	Configuration example 1 :	SAW115	1	G	03	A	0	0	P01
SAW115	Configuration example 2 :	SAW115	2	G	03	A	0	0	P01
	Configuration example 3 :	SAW115	3	G	03	A	0	0	P01
Length									
1 2 3									
Connections to the tank									
G Thread 1"									
Filtration rating									
03 Orange Silica Gel									
Seals									
A NBR									
Valve									
0 Without valve									
Option									
0 Standard									
Execution									
P01 MP Filtri standard									
Pxx Customized									

ACCESSORIES

Series and size	Configuration example :	SMG1	S	A	P02
SMG Adapter Flange					
Connections to the tank					
S Without screws					
Seals					
A NBR					
Execution					
P02 MP Filtri standard					



Silica gel

Active breather



Depleted breather



Silica gel is the most efficient and economic moisture adsorbent for general applications.

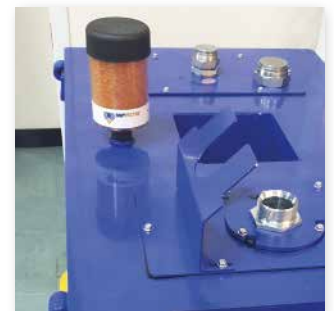
A white breather means the unit has done its job keeping moisture out of your lubricants.

Whenever the colour changes from orange to white it's time to replace the breather with a new one.

All breathers should be changed at least once a year.

IMPORTANT

Dispose of the exhausted silica gel according to the regulations in force in the country of use.



Air vent holes

Max hydraulic flow rate [l/min (cfm)]	Holes to open
up to 110 (4)	2
from 111 to 220 (4-8)	4
from 221 to 330 (8-12)	6
from 331 to 452 (12-16)	8

IMPORTANT INSTALLATION INFORMATION

- The air vent holes are plugged for any new breather
- The plugs protect the dryer agent during storage and shipment
- The plugs must be taken out during the installation, according to the max hydraulic flow rate



SCS series

Metal air breather filter



Technical data

Air breathers & Filler plugs

Metal air breather filter

Flow rate up to 1330 l/min

SCS is a range of air breathers for protection of the tank against the solid contamination contained into the air.

They are composed of a spin-on filter can screwed on a connection tube, directly fitted on the tank. They are usually directly fitted on the tank.

Available features:

- Weld or flanged connection, for a maximum flow rate of 1415 l/min
- Fine cellulose and microfibre filtration, to get a good cleanliness level into the reservoir

Common applications:

- Mobile machines (construction and agriculture machines)
- Industrial equipment

Flow rate Δp 0.02 bar

	Flow rate [l/min]			
	Filtration rating	P10	A03	A10
SCS050	550	515	530	
SCS070	550	515	530	
SCS100	1415	1300	1330	
SCS150	1415	1300	1330	

Materials

Riser: Galvanized steel

Temperature

From -25 °C to +100 °C

Weight

SCS050...G1: 0,200 kg
 SCS050...G2: 0,265 kg
 SCS100...G1: 0,450 kg
 SCS100...G2: 0,645 kg

CS/CG050: 0,73 kg
 CS/CG070: 0,95 kg
 CS100: 1,3 kg
 CS150: 1,6 kg
 CG100: 1,3 kg
 CG150: 1,6 kg



Designation & Ordering code

METAL AIR BREATHER FILTER

Series and size

SCS050 | **SCS070** | **SCS100** | **SCS150**

Configuration example 1: **SCS050** | **C** | **G2** | | **V** | **P01**

Configuration example 2: **SCS150** | **C** | **G2** | **A10** | **V** | **P01**

Connections to the tank

C Weld riser

F Screwed flange

Threaded connection

	SCS050 - 070	SCS100 - 150
G1 Connection ISO 228	G 3/4"	G 1 1/4"
G2 Connection U.S. standard	1" - 12 UNF	1 1/2" - 16 UN

Filtration rating

Size:	050	070	100	150
Without filter element	•	•	•	•
A03 Inorganic microfiber 3 µm	•	•	•	•
A10 Inorganic microfiber 10 µm	•	•	•	•
P10 Resin impregnate paper 10 µm	•	•	•	•

Seals

A NBR

V FPM

Execution

P01 MP Filtri standard

Pxx Customized

FILTER ELEMENT

Filter element series

Threaded connection:	G1	G2
CS Connection ISO 228	•	
CG Connection U.S. standard		•

Configuration example: **CG** | **150** | **A10** | **V** | **P01**

Filter element size

050 | **070** | **100** | **150**

Filtration rating

A03 Inorganic microfiber 3 µm	
A10 Inorganic microfiber 10 µm	
P10 Resin impregnate paper 10 µm	

Seals

A NBR

V FPM

Execution

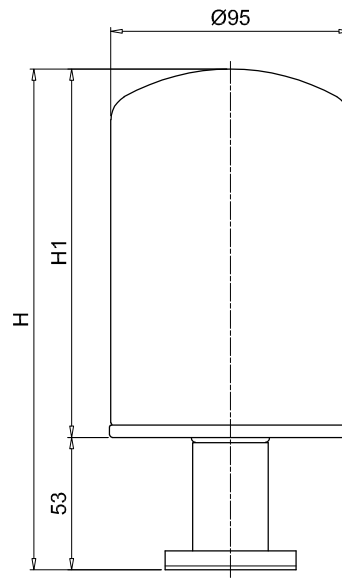
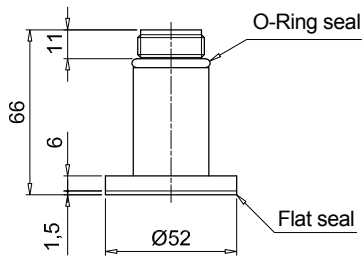
P01 MP Filtri standard

Pxx Customized

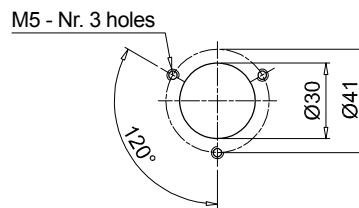
SCS050-070

Screwed flange

Size	H [mm]	H1 [mm]
050	199	146
070	263	210



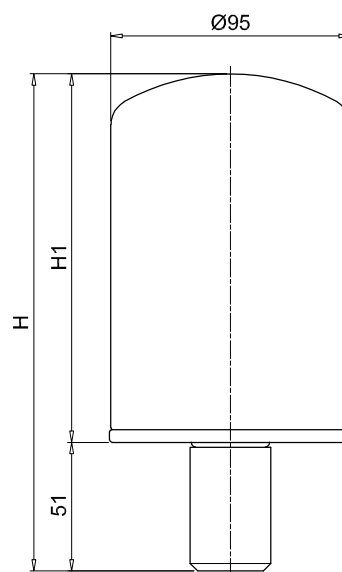
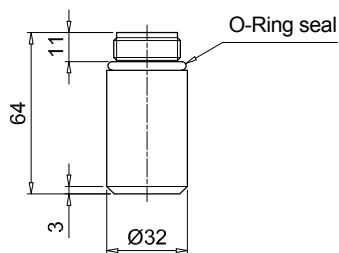
Holes on the tank



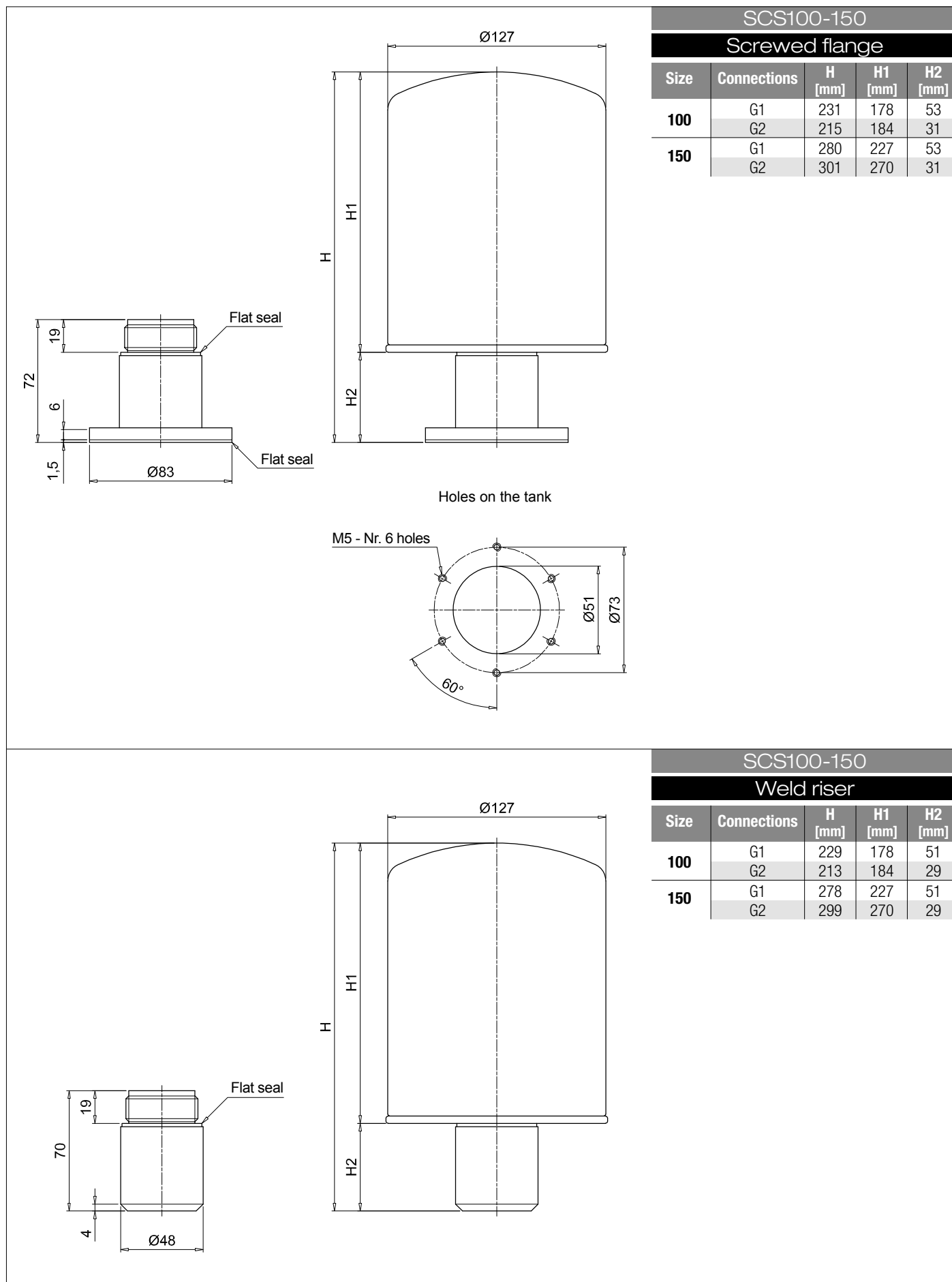
SCS050-070

Weld riser

Size	H [mm]	H1 [mm]
050	197	146
070	261	210



Dimensions





SME 1 - SMF 1 - SML 1 series

Risers for breathers and filler caps installation



Technical data

Air breathers & Filler plugs

Risers for breathers and filler caps installation

SME/SMF/SML are ranges of risers for installation of the breathers and filler caps in any place on the tank. They make the maintenance operation easy and fast.

Available features:

- SME: vertical riser made of polyamide for nylon tanks, mainly used in the mobile machines
- SMF: sloping riser made of polyamide for nylon tanks, mainly used in the mobile machines
- SML: sloping riser made of aluminium for metal tanks, mainly used in the industrial equipment and heavy-duty applications

Materials SME

- Body: Nylon
- Seals: NBR
Cork gasket
- Screws: Phosphatized steel
Galvanized steel

Materials SMF

- Body: Nylon
- Seals: NBR
Cork gasket
- Screws: Phosphatized steel
Galvanized steel

Materials SML

- Body: Aluminium
- Seals: NBR
Cork gasket
- Screws: Phosphatized steel

Temperature

From -25 °C to +100 °C

Weight

SME - 0.250 kg
SMF - 0.325 kg
SML - 0.380 kg

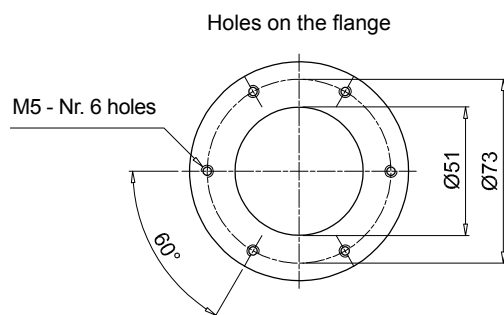
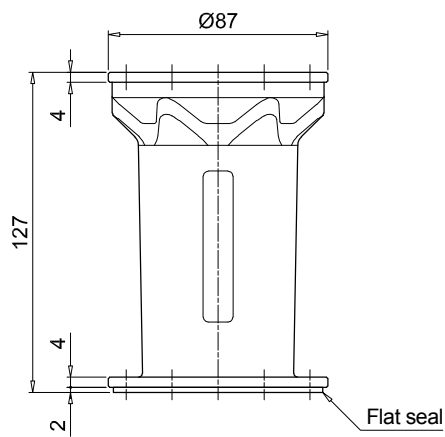
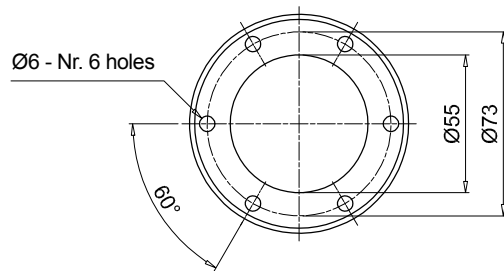


Designation & Ordering code

SME / SMF / SML

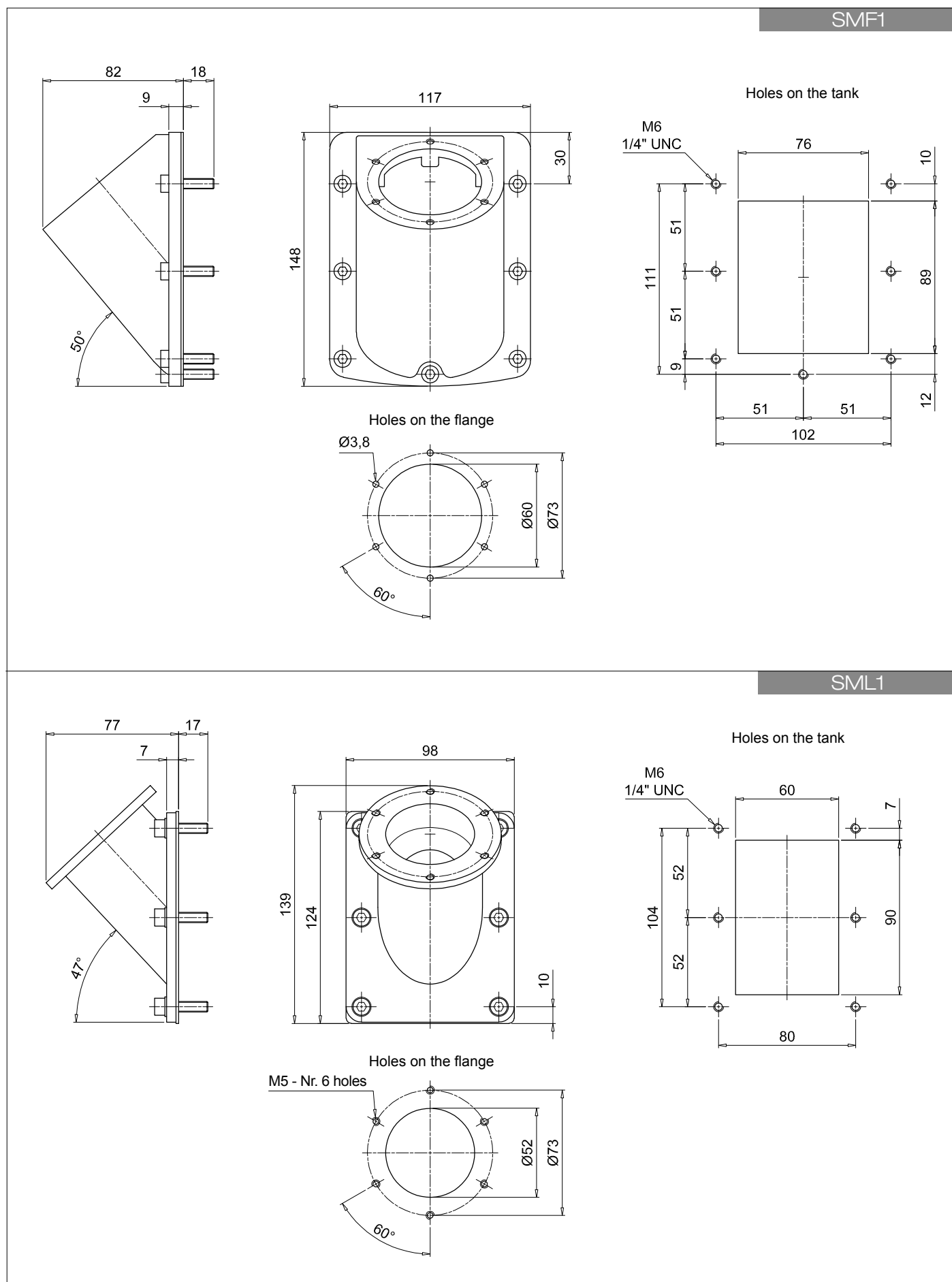
Series and size		Configuration example: SMF1 M A P01			
SME1	Polyamide vertical riser				
SMF1	Polyamide sloping riser				
SML1	Aluminium sloping riser				
Connections to the tank					
M	Metric screws				
U	UNC screws				
Seals					
A	NBR				
Execution		Series			
		SME1	SMF1	SML1	
P01	MP Filtri standard		•	•	
P02	Standard without logo	•			
Pxx	Customized	•	•	•	

SME1



SME 1-SMF 1-SML 1

Dimensions



TA 46

TAP 50

SAP 50 series

**Metal oil filler
and air breather filler cap****Nylon oil filler
and breather plug****Nylon air
breather filter**

Technical data

Air breathers & Filler plugs

Metal oil filler and air breather filler cap Flow rate up to 200 l/min

TA46 is a range of compact metal air breathers and filler caps for protection of the tank against the solid contamination contained into the air and filling of the fluid into the systems during the commissioning and maintenance procedures. They are usually directly fitted on the tank. The robust design allows the use of these filters in any heavy-duty application.

Available features:

- Male threaded connections up to 1/4" and flanged connection with bayonet, for a maximum flow rate of 200 l/min
- Fine cellulose filtration, to get a good cleanliness level into the reservoir
- Filling basket, to hold the coarse contamination contained into the fluid and to diffuse the fluid flow into the tank

Common applications:

- Compact hydraulic systems
- Compact mobile machines
- Industrial equipment

Flow rate Δp 0.02 bar

TA46	Flow rate [l/min]	
	Filtration rating 03	10
	150	200

Materials (version G/N)

- Cover: Chrome plated steel
- Filter element: Resin impregnate paper, Polyurethane
- Flange: Galvanized steel
- Connection: Phosphatized steel

Materials (version B)

- Cover: Chrome plated steel
- Filter element: Resin impregnate paper, Polyurethane
- Flange: Galvanized steel
- Connection: Phosphatized steel
- Seals: NBR
- Chain, ring: Cork gasket
- Screws: Galvanized steel
- Basket: Brass

Temperature

From -25 °C to +100 °C

Weight

TA 46 B 0.10 kg
TA 46 G/N 0.11 kg



Designation & Ordering code

COMPLETE AIR BREATHER - TA46

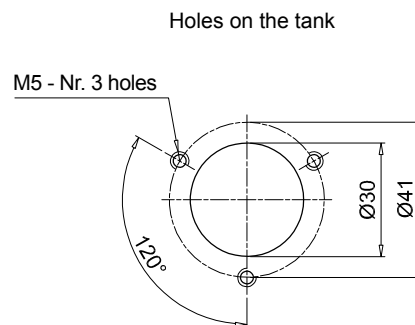
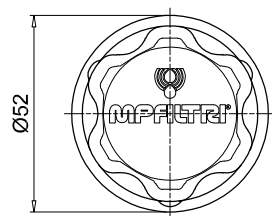
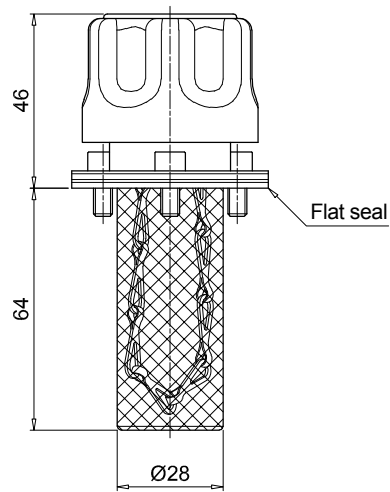
Series and size	Configuration example 1:	TA46	B	03	A	0	0	1	P01
TA46	Configuration example 2:	TA46	G	10					P01
Connections to the tank									
B	Screwed flange with bayonet mount								
G	Thread G 1/4"								
N	Thread 1/4" NPT								
Filtration rating									
03	Resin impregnate paper	3 μ m							
10	Polyurethane	10 μ m							
Seals									
A	NBR	•							
Valve									
0	Without valve	•							
Version									
0	Standard	•							
Basket									
1	With basket	•							

Execution

P01 MP Filtri standard
Pxx Customized

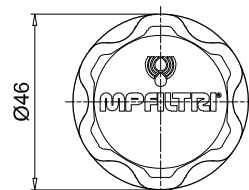
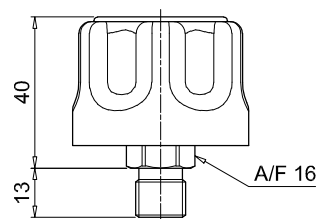
TA46

Screwed flange



TA46

Threaded connection



TAP 50 GENERAL INFORMATION

Technical data

Air breathers & Filler plugs

Nylon oil filler and breather plug

Flow rate up to 200 l/min

TAP50 is a range of compact plastic air breathers and filler caps for protection of the tank against the solid contamination contained into the air and filling of the fluid into the systems during the commissioning and maintenance procedures.

Available features:

- Flanged connection with bayonet, for a maximum flow rate of 200 l/min
- Fine cellulose filtration, to get a good cleanliness level into the reservoir
- Filling basket, to hold the coarse contamination contained into the fluid and to diffuse the fluid flow into the tank

Common applications:

- Compact hydraulic systems
- Compact mobile machines
- Industrial equipment

Flow rate Δp 0.02 bar

	Flow rate [l/min]	
	Filtration rating	03
TAP50	180	202

Materials

- Cover/ringnut: Nylon
- Filter element: Resin impregnate paper, Polyurethane
- Pressurization valve: Nylon, Galvanized steel, NBR
- Seals: NBR
- Flange: Nylon
- Screws: Galvanized steel
- Basket: Nylon

Temperature

From -25 °C to +100 °C

Weight

0.60 kg

Quantity

10 pcs/pack



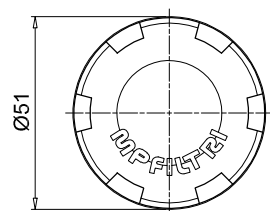
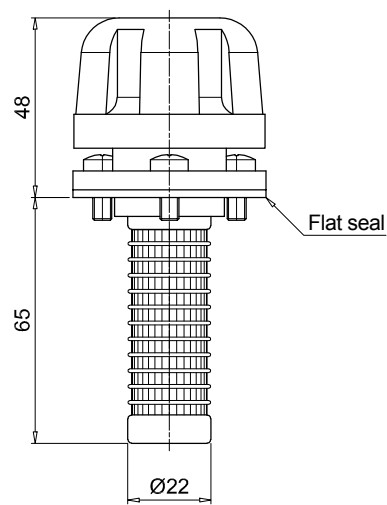
Designation & Ordering code

COMPLETE OIL FILLER PLUG - TAP50

Series and size	Configuration example :							
TAP50 Nylon oil filler and breather plug	TAP50	C	03	A	1	1	P01	
Connections to the tank								
C Screwed flange with G 3/4" mount								
Filtration rating								
03 Resin impregnate paper 3 µm								
10 Polyuretane 10 µm								
Seals								
A NBR								
Valve								
0 Without valve								
1 0.5 bar pressurization valve								
Basket								
1 With basket								
								Execution
								P01 MP Filtri standard
								Pxx Customized

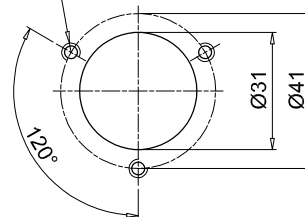
TAP50

Screwed flange



Holes on the tank

M5 - Nr. 3 holes



SAP 50 GENERAL INFORMATION

Technical data

Air breathers & Filler plugs

Nylon air breather filter

Flow rate up to 200 l/min

SAP50 is a range of compact plastic air breathers for protection of the tank against the solid contamination contained into the air.

The integrated air breather protects the tank against the solid contamination contained into the air. They are usually directly fitted on the tank.

Available features:

- Male threaded connections up to 3/4", for a maximum flow rate of 200 l/min.
- Fine cellulose filtration, to get a good cleanliness level into the reservoir.

Common applications:

- Compact hydraulic systems
- Compact mobile machines
- Industrial equipment

Flow rate Δp 0.02 bar

	Flow rate [l/min]	
	Filtration rating	03
SAP50	180	204

Materials

- Cover/Connection: Nylon
- Filter element: Resin impregnate paper, Polyurethane
- Pressurization valve: Nylon, Galvanized steel, NBR
- Seals: NBR

Temperature

From -25 °C to +100 °C

Weight

0.40 kg

Quantity

10 pcs/pack



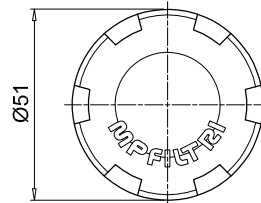
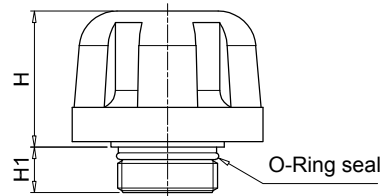
Designation & Ordering code

COMPLETE AIR BREATHER - SAP50

Series and size	Configuration example :							
SAP50 Nylon air filter	SAP50	G3	L03	A	1	0	P01	
Connections to the tank								
G1	G 1/4"							
G2	G 3/8"							
G3	G 1/2"							
G4	G 3/4"							
G9	SAE 6 - 9/16" - 18 UNF							
G10	SAE 12 - 1 1/16" - 12 UN							
Filtration rating								
L03	Resin impregnate paper 3 µm							
L10	Polyuretane 10 µm							
Seals								
A	NBR							
Valve	Connection							
	G1	G2	G3	G4	G9	G10		
0	Without valve						•	•
1	0.5 bar pressurization valve						•	•
Basket								
0	Without basket							
Execution								
P01	MP Filtri standard							
Pxx	Customized							

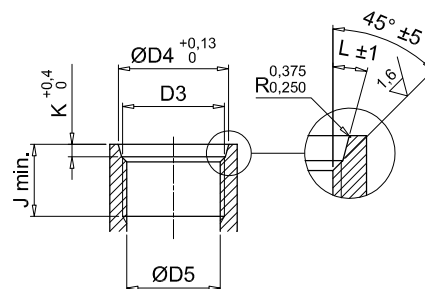
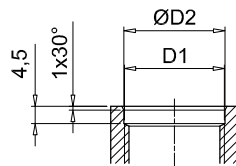
SAP50

Threaded connection



Housing on the tank
for connections GAS

Housing on the tank
for connections SAE



Connections	H [mm]	H1 [mm]	D1 [mm]	ØD2 [mm]	D3 [mm]	ØD4 [mm]	ØD5 [mm]	J min. [mm]	K [mm]	L
G1	36	12	G 1/4"	13.5	-	-	-	-	-	-
G2	36	12	G 3/8"	17	-	-	-	-	-	-
G3	36	12	G 1/2"	21.5	-	-	-	-	-	-
G4	36	12	G 3/4"	26.7	-	-	-	-	-	-
G9	36	12	-	-	SAE 6 - 9/16" - 18 UNF	15.6	13.081 12.751	12.7	2.5	12°
G10	35	14.5	-	-	SAE 12 - 1 1/16" - 12 UN	29.2	24.978 24.696	19	3.3	15°

TA 80 series

Metal oil filler and air breather filler cap



TA 80 GENERAL INFORMATION

Technical data

Air breathers & Filler plugs

Metal oil filler and air breather filler cap Flow rate up to 550 l/min

TA80 is a range of metal air breathers and filler caps for protection of the tank against the solid contamination contained into the air and filling of the fluid into the systems during the commissioning and maintenance procedures.

They are usually directly fitted on the tank. The robust design allows the use of these filters in any heavy-duty application.

Available features:

- Male threaded connections up to 3/4" and flanged connection with bayonet, for a maximum flow rate of 550 l/min
- Fine cellulose filtration, to get a good cleanliness level into the reservoir
- Pressurization valve with different setting, to guarantee a positive pressure into the tank in any application with metal or plastic tanks
- Padlock tab, to secure the air breather to the tank
- Filling basket, to hold the coarse contamination contained into the fluid and to diffuse the fluid flow into the tank

Common applications:

- Hydraulic systems
- Mobile machines
- Industrial equipment

Flow rate Δp 0.02 bar

TA80	Flow rate [l/min]	
	Filtration rating 03	10
	450	550

Materials

- Cover: Chrome Plated steel
- Filter element: Resin impregnate paper, Polyurethane
- Pressurization valve: Nylon (bodies), Galvanized steel (end cap - disk), Steel (spring), NBR (seals)
- Flange and anti-splash feature: Galvanized steel
- Seals: Cork Gasket, NBR
- Screws, Flange: Galvanized steel
- Chain, Ring: Brass
- Basket (only TA80B): Galvanized steel

Temperature

From -25 °C to +100 °C

Weight

L 80 mm 0.33 kg
L 150 mm 0.35 kg

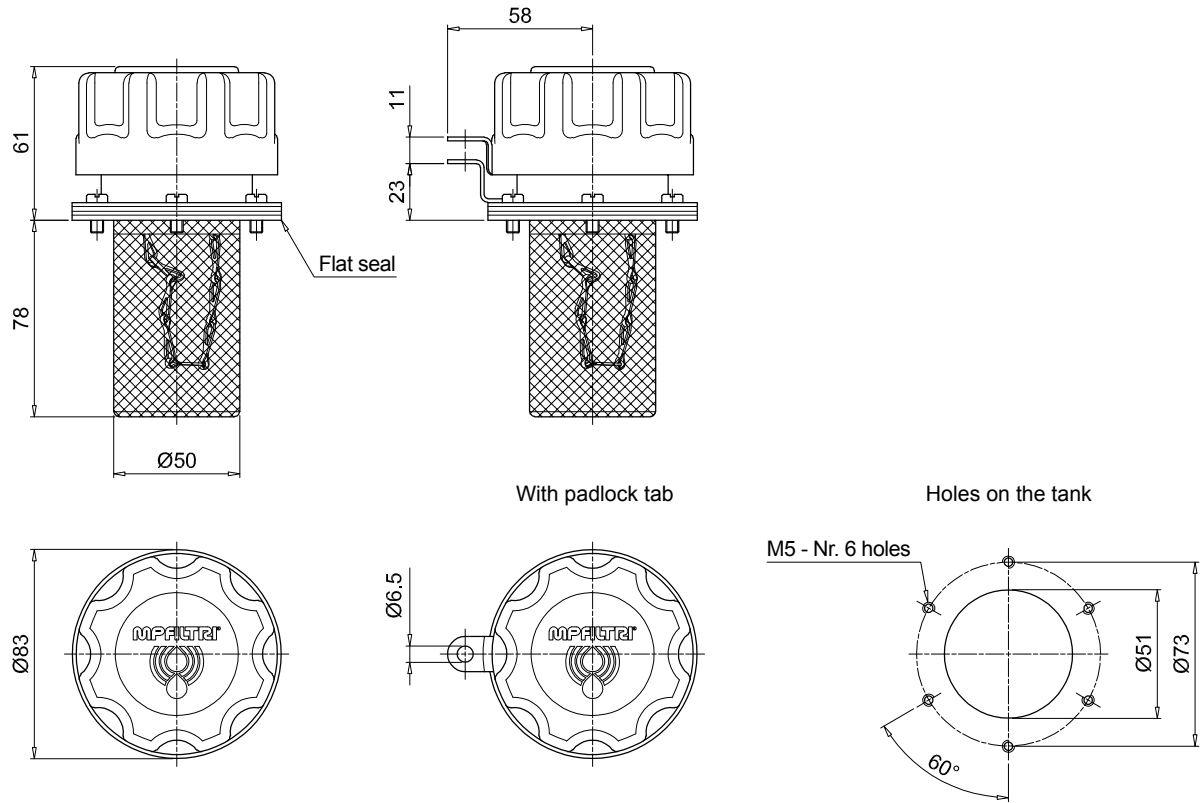


Designation & Ordering code

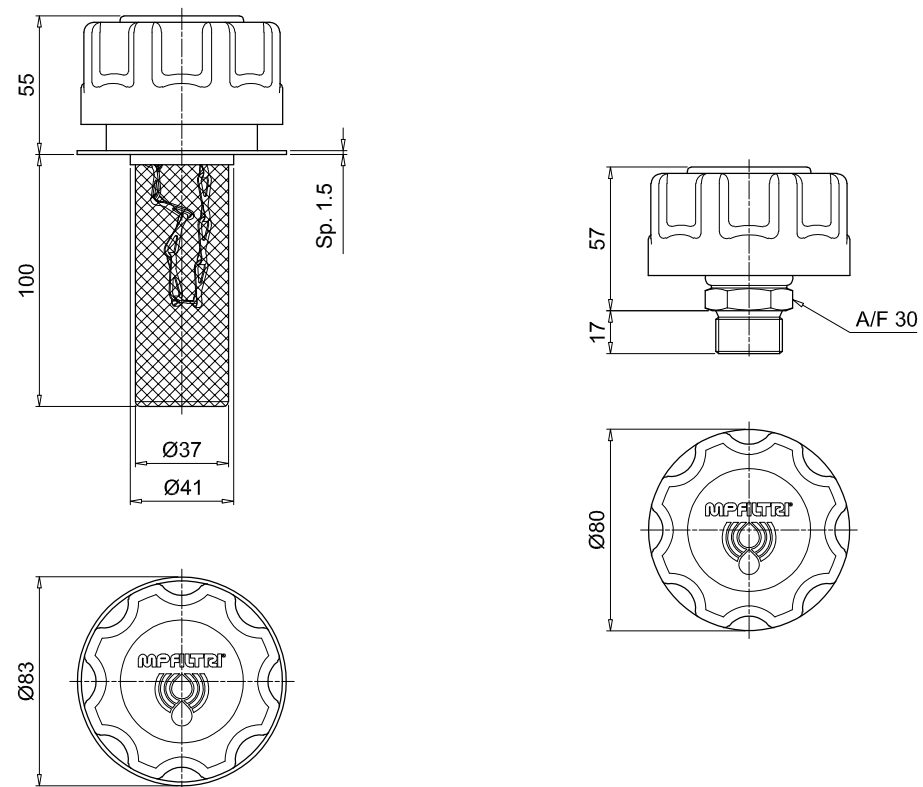
COMPLETE BREATHER PLUG - TA80

Series and size	Configuration example 1:								
TA80	TA80	B	03	A	0	L	1	P01	
	Configuration example 2:								
	TA80	G	10	A	2			P01	
Connections to the tank									
B	Screwed flange with bayonet mount	G	Thread G 3/4"						
D	Weld flange with bayonet mount	N	Thread 3/4" NPT						
Filtration rating	Connection:	B	D	G	N				
00	Without filter (blind filler plug)	•	•	•					
03	Resin impregnate paper 3 µm	•	•	•	•				
10	Polyuretane 10 µm	•	•	•					
Seals									
A	NBR								
Valve	Filtration rating:	00	03	10					
0	Without valve	•	•	•					
1	0.3 bar pressurization valve	•	•	•					
2	0.7 bar pressurization valve	•	•	•					
9	With anti-splash feature			•					
Version	Connection:	B	D	G	N				
0	Standard	•	•						
L	With padlock tab	•							
Basket	Connection:	B	D	G	N				
0	Without basket	•	•						
1	L = 80 mm	•							
3	L = 100 mm		•						
Execution									
P01	MP Filtri standard								
Pxx	Customized								

TA80
Screwed flange



TA80
Weld flange
Threaded connection



TAP 90 series

Nylon oil filler and air breather filler cap



TAP 90 GENERAL INFORMATION

Technical data

Air breathers & Filler plugs

Nylon oil filler and air breather filler cap Flow rate up to 550 l/min

TAP90 is a range of plastic air breathers and filler caps for protection of the tank against the solid contamination contained into the air and filling of the fluid into the systems during the commissioning and maintenance procedures.

They are usually directly fitted on the tank.

Available features:

- Male threaded connections up to 1 1/2" and flanged connection with bayonet, for a maximum flow rate of 550 l/min
- Fine cellulose filtration, to get a good cleanliness level into the reservoir
- Pressurization valve with different setting, to guarantee a positive pressure into the tank in any application with metal or plastic tanks
- Padlock tab, to secure the air breather to the tank
- Filling basket, to hold the coarse contamination contained into the fluid and to diffuse the fluid flow into the tank
- Dipstick, to monitor the fluid level into the tank even in complicated positions

Common applications:

- Hydraulic systems
- Mobile machines
- Industrial equipment

Flow rate Δp 0.02 bar

	Flow rate [l/min]	
	Filtration rating	03
TAP90	450	550

Materials

- Cover/Ringnut: Nylon
- Filter element: Resin impregnate paper, Polyurethane
- Pressurization valve: Nylon (bodies), Galvanized steel (end cap - disk), NBR (seals)
- Flange B: Nylon
- Seals: NBR
- Screws: Galvanized steel
- Padlock tab: Galvanized steel
- Chain, Ring: Brass
- Dipstick: Phosphatized steel
- Basket: Galvanized steel, Nylon

Temperature

From -25 °C to +100 °C

Weight

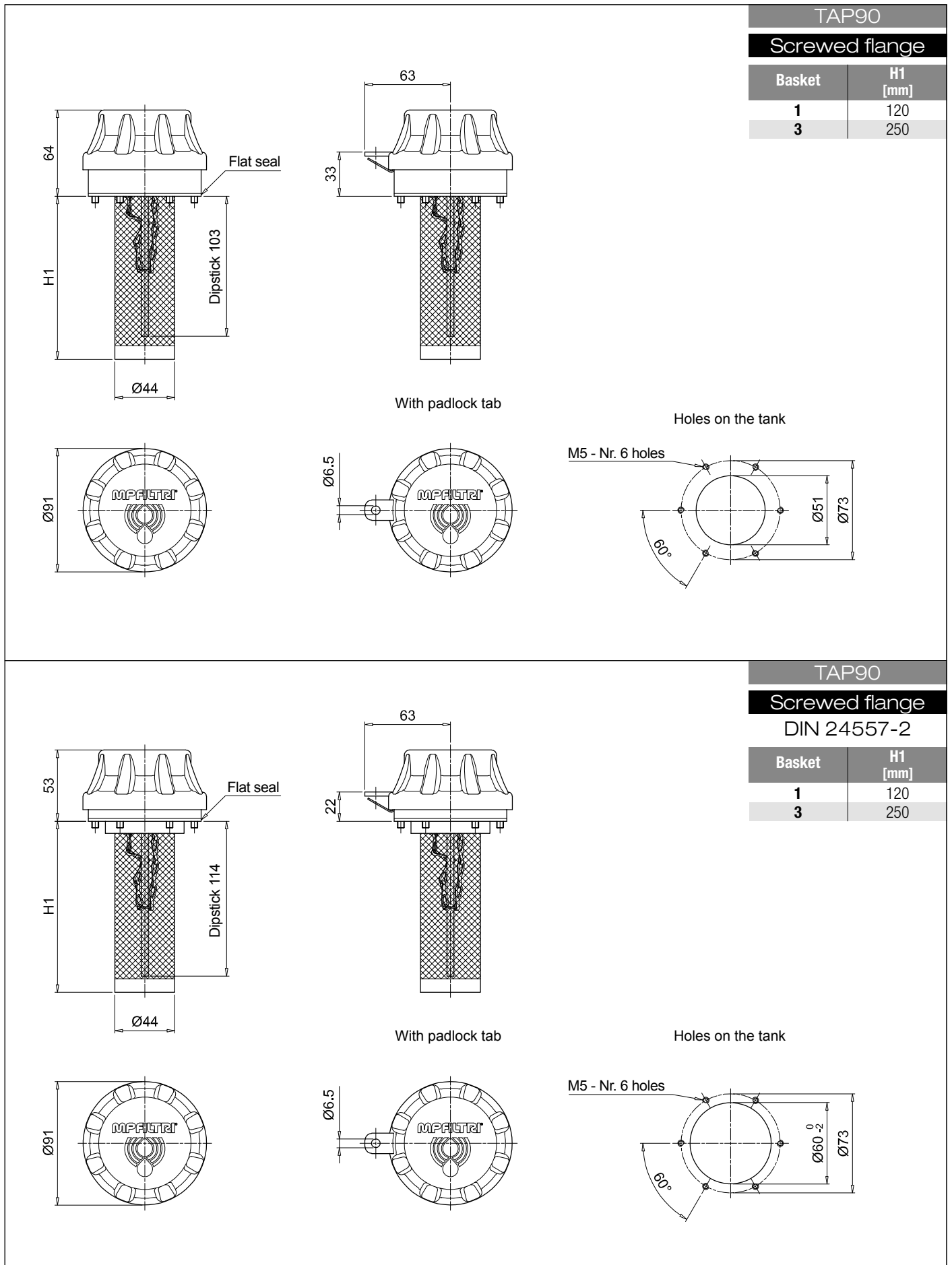
L 120 mm 0.25 kg
L 250 mm 0.31 kg



Designation & Ordering code

COMPLETE BREATHER PLUG - TAP90

Series and size	Configuration example 1 :										
TAP90	TAP90	R	03	A	1	A	1	P01			
	Configuration example 2 :										
	TAP90	G	10	A	2	L			P01		
Connections to the tank											
R Screwed flange with M52x2 mount	H Thread G 1 1/2"										
F Screwed flange DIN 24557-2	M Thread 3/4" NPT										
C Weld riser	G Thread M52x2										
Q Thread G 3/4"											
		Connection									
Filtration rating	R	F	C	Q	H	M	G				
00 Without filter (blind filler plug)	•	•	•								
03 Resin impregnate paper 3 µm	•	•	•	•	•	•	•				
10 Polyuretane 10 µm	•	•	•	•	•	•	•				
Valve											
0 Without valve											
1 0.3 bar pressurization valve											
2 0.7 bar pressurization valve											
Version											
0 Standard	A With dipstick										
L With padlock tab	F With padlock tab and dipstick										
		Connection									
Basket	R	F	C	Q	H	M	G				
0 Without basket	•	•	•								
1 With basket 120 mm	•	•	•								
3 With basket 250 mm	•	•	•								
Seals											
A NBR											
Execution											
P01 MP Filtri standard											
Pxx Customized											

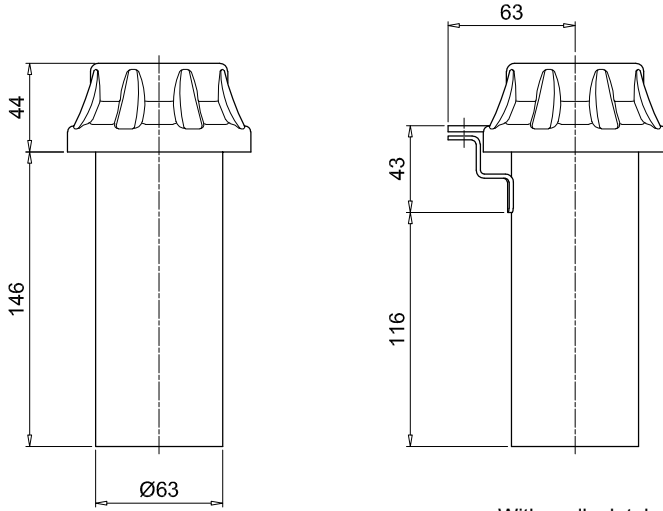


TAP 90

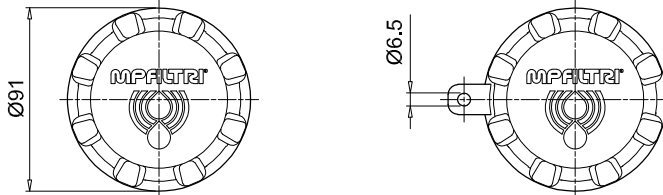
Dimensions

TAP90

Weld riser

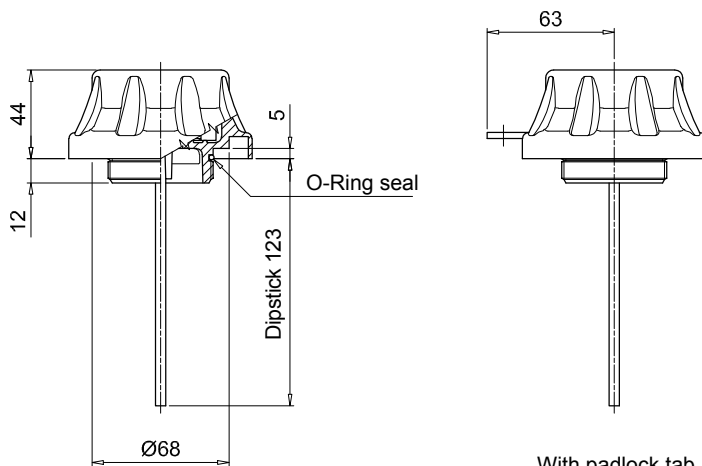


With padlock tab

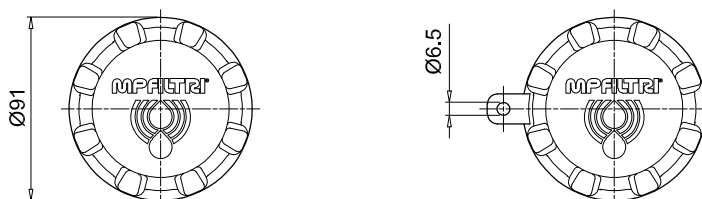


TAP90

Threaded connection

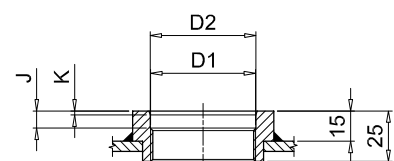


With padlock tab



Connection	D1 [mm]	D2 [mm]	J [mm]	K [mm]
Q	G 3/4"	-	-	-
H	G 1 1/2"	48.5	8.5	2x15°
M	3/4" NPT	-	-	-
G	M 52x2	52.5	8.5	2x15°

Housing on the tank for connections GH-MT



TAP 114 series

Nylon oil filler and air breather filler cap



TAP 114 GENERAL INFORMATION

Technical data

Air breathers & Filler plugs

Nylon oil filler and air breather filler cap

Flow rate up to 1600 l/min

TAP114 is a range of plastic large air breathers and filler caps for protection of the tank against the solid contamination contained into the air and filling of the fluid into the systems during the commissioning and maintenance procedures.

They are usually directly fitted on the tank.

Available features:

- Flanged connection, for a maximum flow rate of 1600 l/min
- Replaceable filter element
- Fine cellulose filtration, to get a good cleanliness level into the reservoir
- Polyester media is an option for heavy environmental conditions (high humidity, sand ...)
- Filling basket, to hold the coarse contamination contained into the fluid and to diffuse the fluid flow into the tank
- Dipstick, to monitor the fluid level into the tank even in complicated positions

Common applications:

- Hydraulic systems
- Mobile machines
- Industrial equipment

Flow rate Δp 0.02 bar

	Flow rate [l/min]
	Filtration rating L10
TAP114 length 1	1450
TAP114 length 3	1600

Materials

- Cover: Nylon
- Filter element: Resin impregnate paper
- Flange: Nylon
- Seals: NBR
- Screws: Galvanized steel
- Basket: Nylon

Temperature

From -25 °C to +100 °C

Weight

Length 1 - 0.185 kg

Length 2 - 0.200 kg



Designation & Ordering code

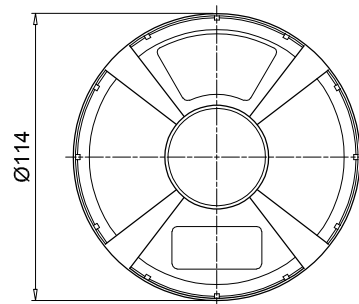
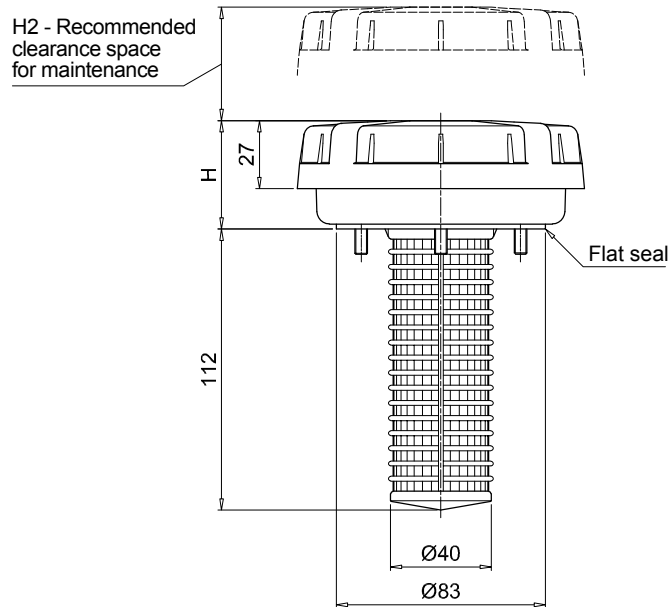
COMPLETE BREATHER PLUG - TAP114

Series and size	Configuration example : TAP114 1 L10 A 1 P01					
TAP114						
Length	1 3					
Filtration rating	L10 Resin impregnate paper 10 µm					
Seals	A NBR					
Version	1 With basket					
						Execution
						P01 MP Filtri standard
						Pxx Customized

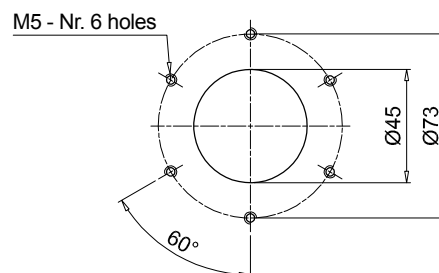
FILTER ELEMENT

Filter element series and size	Configuration example : A114 1 L10 P01			
A114				
Length	1 3			
Filtration rating	L10 Resin impregnate paper 10 µm			
				Execution
				P01 MP Filtri standard
				Pxx Customized

TAP114		
Length	H [mm]	H2 [mm]
1	43	30
3	58	45



Holes on the tank



TAP 115 & SAP 115

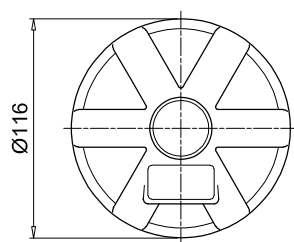
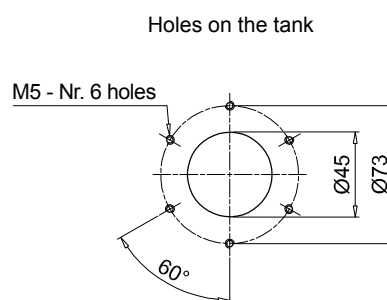
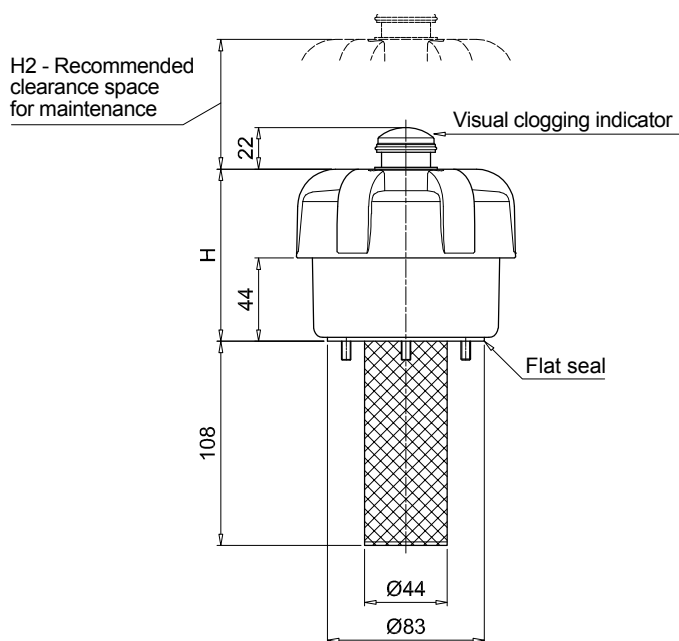
Nylon oil filler and air breather filler cap



TAP 115

Dimensions

TAP115		
Length	H [mm]	H2 [mm]
1	91	55
2	155	80



Technical data

Air breathers & Filler plugs

Nylon oil filler and air breather filler cap

Flow rate up to 3000 l/min

SAP115 is a range of plastic large air breathers for protection of the tank against the solid contamination contained into the air. They are usually directly fitted on the tank.

Available features:

- Male threaded connections up to 1 1/2", for a maximum flow rate of 3000 l/min.
- Replaceable filter element.
- Fine cellulose and microfibre filtration, to get a good cleanliness level into the reservoir. Polyester media is an option for heavy environmental conditions (High humidity, sand ...)
- Visual clogging indicator
- Antisplash, to avoid fluid coming out through the air breather due to sloshing
- Visual clogging indicator
- Filling basket, to hold the coarse contamination contained into the fluid and to diffuse the fluid flow into the tank

Common applications:

- Hydraulic systems
- Mobile machines
- Industrial equipment

Flow rate Δp 0.02 bar

	Flow rate [l/min]	
	Filtration rating A03	L10
SAP115 length 1 - G1"	1830	2170
SAP115 length 2 - G1"	2800	2800
SAP115 length 1 - G1 1/2"	1995	2330
SAP115 length 2 - G1 1/2"	3000	3000

Materials

- Cover/flange: Nylon
- Filter element: Microfibre, Resin impregnate paper
- Connection: Nylon
- Seals: NBR, FPM

Clogging indicators

- Manual reset
- Set pressure 0.062 bar +/- 10%

Temperature

From -25 °C to +100 °C

Weight	Length 1	Length 2
SAP 115	0.41 kg	0.525 kg



Designation & Ordering code

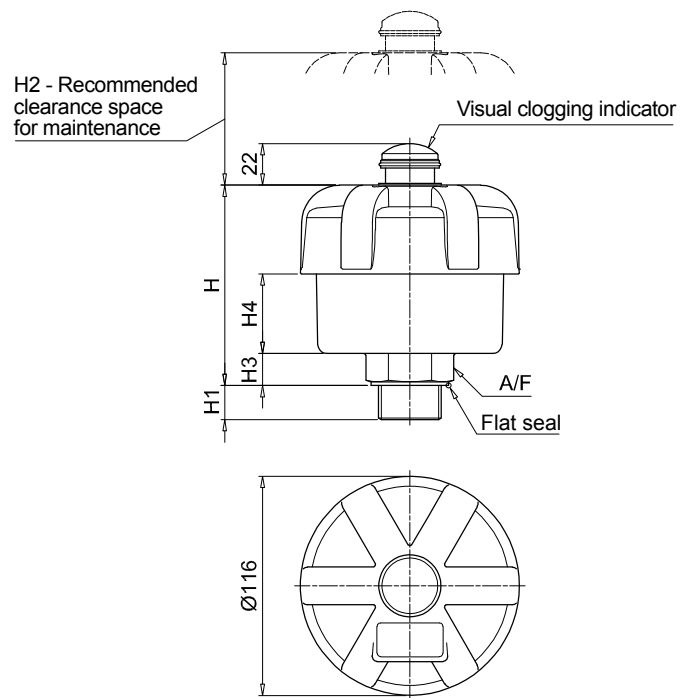
COMPLETE BREATHER PLUG - SAP115

Series and size	Configuration example:	SAP115	2	A	A03	A	1	A	P01
SAP115 Threaded connection									
Length									
1 2									
Connection to the tank									
A Thread G 1"									
C Thread G 1 1/2"									
Filtration rating									
A03 Inorganic microfiber 3 µm									
L10 Polyuretane 10 µm									
Seals									
A NBR									
Version									
0 Standard									
1 With anti-splash feature									
Clogging indicator									
A Without indicator									
B With visual clogging indicator									
Execution									
P01 MP Filtri standard									
Pxx Customized									

FILTER ELEMENT

Filter element series and size	Configuration example:	A115	2	A03	P01
A115					
Length					
1 2					
Filtration rating					
A03 Inorganic microfiber 3 µm					
L10 Polyuretane 10 µm					
Execution					
P01 MP Filtri standard					
Pxx Customized					

SAP115							
Length	Connection	H [mm]	H1 [mm]	H2 [mm]	H3 [mm]	H4 [mm]	A/F [mm]
1	A	106	18	55	17	42	41
	C	111	23	55	22	42	55
2	A	170	18	80	17	106	41
	C	175	23	80	22	106	55





WORLDWIDE NETWORK

HEADQUARTERS

MP Filtri S.p.A.

Pessano con Bornago
Milano - Italy
+39 02 957031
sales@mpfiltri.it

BRANCH OFFICES

ITALFILTRI LLC

Moscow - Russia
+7 (495) 220 94 60
mpfiltrirussia@yahoo.com

MP Filtri Canada Inc.

Concord, Ontario - Canada
+1 905 303 1369
sales@mpfiltricanada.com

MP Filtri France SAS

Villeneuve la Garenne
Paris - France
+33 (0)1 40 86 47 00
sales@mpfiltrifrance.com

MP Filtri Germany GmbH

St. Ingbert - Germany
+49 (0) 6894 95652 2-0
sales@mpfiltri.de

MP Filtri India Pvt. Ltd.

Bangalore - India
+91 80 4147 7444 / +91 80 4146 1444
sales@mpfiltri.co.in

MP Filtri (Shanghai) Co., Ltd.

Shanghai - Minhang District- China
+86 21 58919916 116
sales@mpfiltrishanghai.com

MP Filtri U.K. Ltd.

Bourton on the Water
Gloucestershire - United Kingdom
+44 (0) 1451 822 522
sales@mpfiltri.co.uk

MP Filtri U.S.A. Inc.

Quakertown, PA - U.S.A.
+1 215 529 1300
sales@mpfiltriusa.com

PASSION TO PERFORM



mpfiltri.com