

FMP 039

Maximum pressure 110 bar
Flow rates to 80 l/min



Technical data

Filter housing (Materials)

- Head: Anodized aluminium
- Housing: Anodized aluminium
- Bypass valve: Steel

Pressure

- Working pressure: 110 bar (11 MPa)
- Test pressure: 170 bar (17 MPa)
- Burst pressure: 330 bar (33 MPa)
- Pulse pressure fatigue test: 1.000.000 cycles with pressure from 0 to 110 bar (11 MPa)

Temperature

- From -25 °C to +110 °C

Bypass valve

- Opening pressure 6 bar \pm 10%
- Other opening pressures on request.

Δp Elements type

- Microfibre filter elements series N: 20 bar
- Wire mesh filter elements series N: 20 bar
- Fluid flow through the filter element from OUT to IN.

Seals

- Standard NBR series A
- Optional FPM series V

FMP 039 FILTERS ARE PROVIDED FOR VERTICAL MOUNTING

Weights (kg)

Length	2	3	4
• FMP 039	0,60	0,70	0,80

Volumes (dm³)

Length	2	3	4
• FMP 039	0,19	0,26	0,34

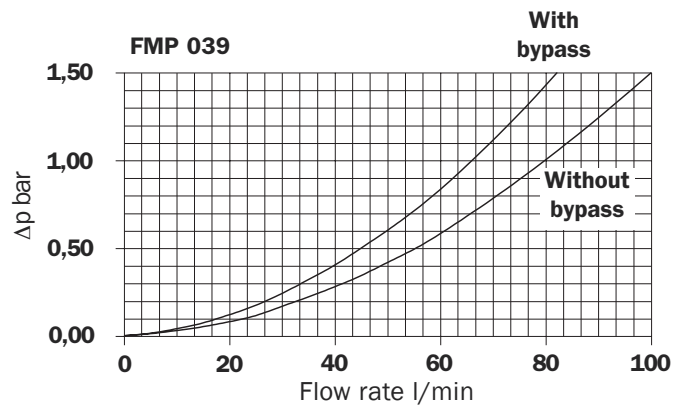
Connections

- FMP 039: In-line Inlet/Outlet

Filter housings Δp pressure drop

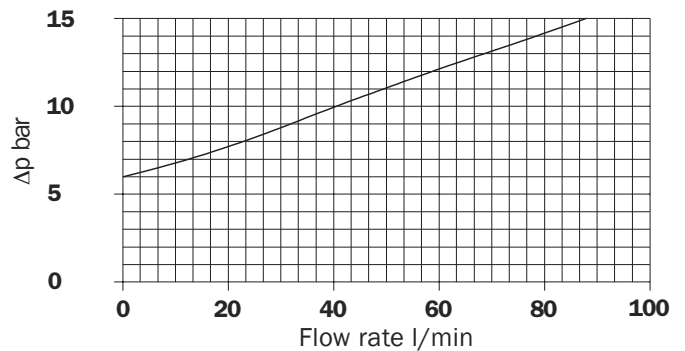
The curves are plotted utilising mineral oil with density of 0,86 kg/dm³ to ISO 3968.

Δp varies proportionally with density.



Valves

Bypass valve pressure drop



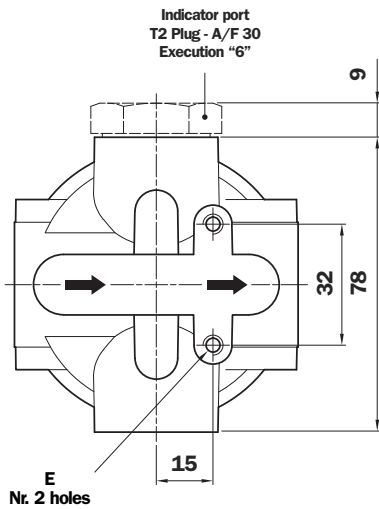
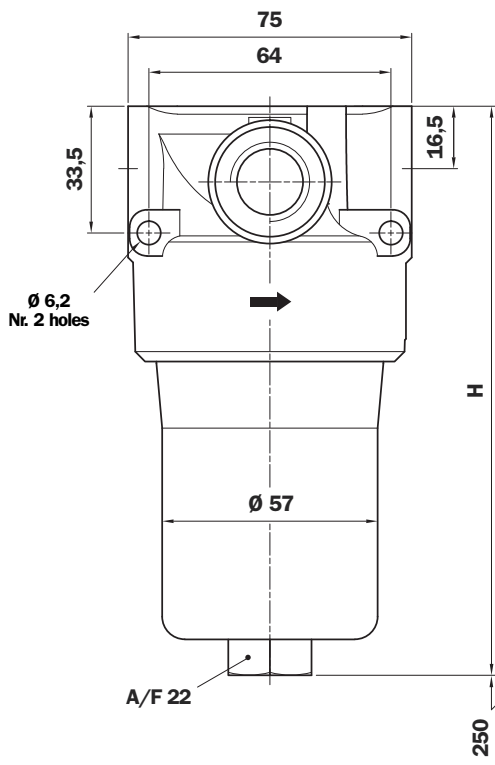
Recommended maximum flow rate

- Pressure drop of filter assembly equal to Δp 1,5 bar.
- Oil kinematic viscosity 30 mm²/s (cSt).
- Density 0,86 kg/dm³.
- Connections of filter under test G 1/2".

Length	Filtration						
	A03	A06	A10	A16	A25	M25	
FMP 039	2	18	23	39	44	52	72
	3	30	33	48	54	64	77
	4	38	42	56	61	70	80

Series N - Flow rate l/min

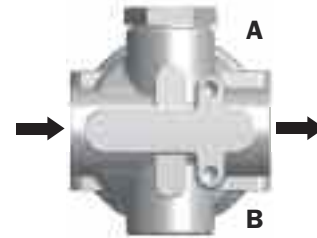
FMP 039



Execution 1: Without indicator connection



Execution 6: Double indicator connection (A - B)

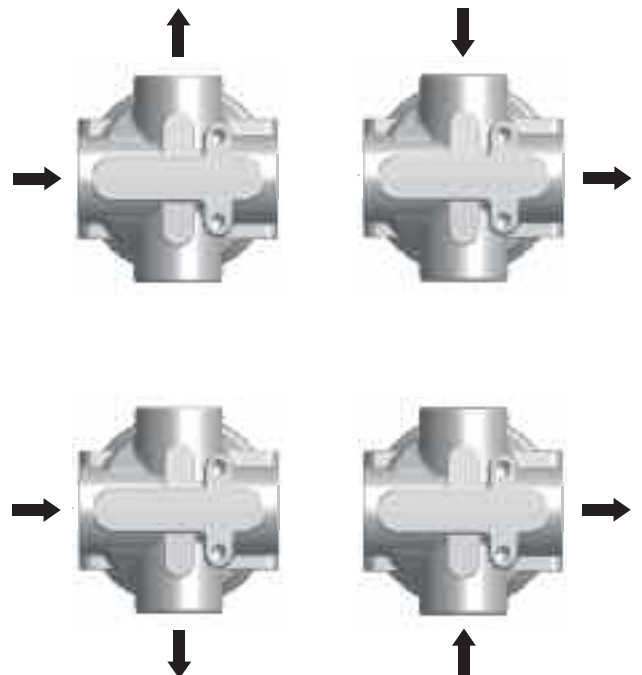


A:
Closure cap with standard T2 steel.
The position of the cap is reversible.

B:
Standard closure cap with plastic
thread protection.

If necessary, the second plug T2,
see page 15 ordering information.

Special connections on request



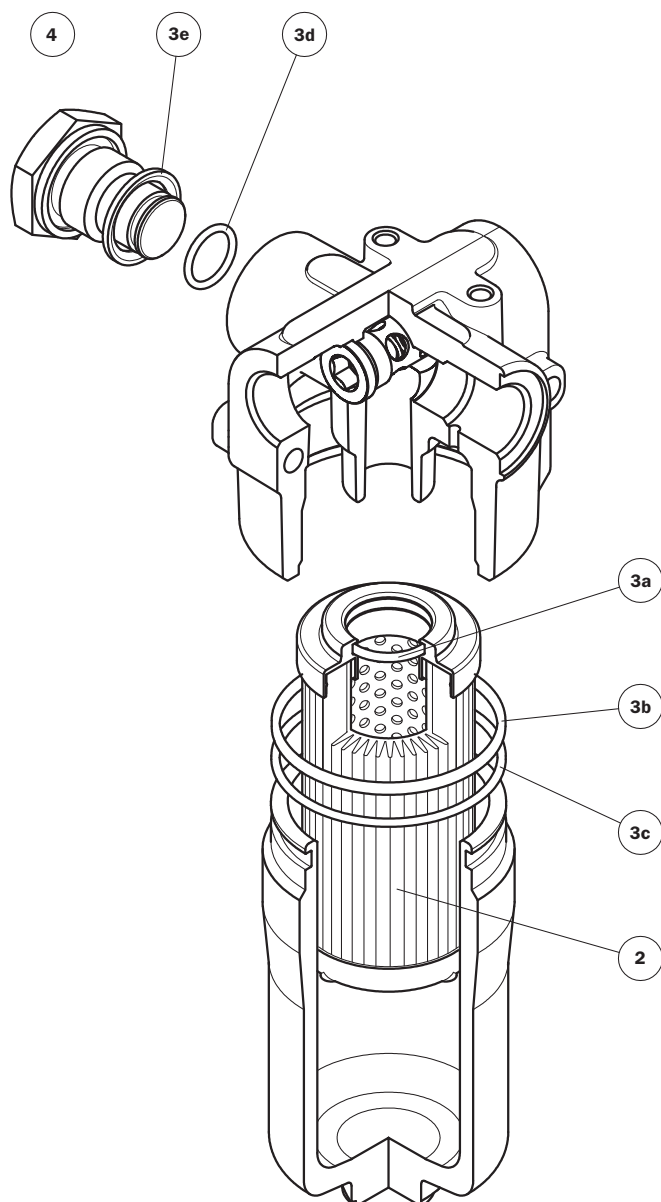
FMP 039

Length Filter	H mm
2	151
3	194
4	238

Thread connections

Type	Size	E Depth 6 mm
A	G 1/2"	M6
B	1/2" NPT	1/4" UNC
C	SAE 8 - 3/4" - 16 UNF	1/4" UNC

Spare parts



Item	Description	Q.ty	FILTER Series FMP 039	
1	Filter assembly	1	See order table	
2	Filter element	1	See order table	
3	Seal Kit	1	NBR 02050509	FPM 02050510
3a	O-Ring for filter element	1	O-R 4087 Ø 21,82 x 3,53	
3b	O-Ring for housing	1	O-R 3200 Ø 50,47 x 2,62	
3c	Anti-extrusion ring	1	Parbak 136 Ø 51,26 x 2,18	
3d	O-Ring indicator	2	O-R 2050 Ø 12,42 x 1,78	
3e	Seal	2	01030058 (HNBR)	01030046 (FPM)
4	Indicator connection plug	1	T2H	T2V

Ordering information FMP 039

Filter assembly FMP

	1	2	3	4	5	6	7	8	9
	<input type="text"/>	<input type="text"/>	<input type="text"/>	<input type="text"/>	<input type="text"/>	<input type="text"/>	<input type="text"/>	<input type="text"/>	<input type="text"/>
Example: FMP	039	2	B	A	A	1	A10	N	P01

Filter element HP

	1	2	7	4	8	9
	<input type="text"/>	<input type="text"/>	<input type="text"/>	<input type="text"/>	<input type="text"/>	<input type="text"/>
Example: HP	039	2	A10	A	N	P01

1 - Style

Filter	Filter element
<input type="text" value="039"/>	<input type="text" value="039"/>

6 - Indicator port

<input type="text" value="1"/>	Without indicator port
<input type="text" value="6"/>	With 2 indicators port*

2 - Filter length

<input type="text" value="039"/>	<input type="text" value="2"/>	<input type="text" value="3"/>	<input type="text" value="4"/>
----------------------------------	--------------------------------	--------------------------------	--------------------------------

7 - Filter element

<input type="text" value="A03"/>	Inorganic microfibre 3 µm	} Absolute filtration Inorganic Microfibre βx (c) ≥ 1000
<input type="text" value="A06"/>	Inorganic microfibre 6 µm	
<input type="text" value="A10"/>	Inorganic microfibre 10 µm	
<input type="text" value="A16"/>	Inorganic microfibre 16 µm	
<input type="text" value="A25"/>	Inorganic microfibre 25 µm	
<input type="text" value="M25"/>	Wire mesh 25 µm	} Nominal Filtration

3 - Valves

<input type="text" value="S"/>	Without bypass
<input type="text" value="B"/>	With bypass

4 - Filter seals

<input type="text" value="A"/>	NBR
<input type="text" value="V"/>	FPM

8 - Max filter element differential pressure

<input type="text" value="N"/>	Δp 20 bar
--------------------------------	-----------

5 - Connections

Threaded

FMP 039

Type	Size
A	G 1/2"
B	1/2" NPT
C	SAE 8 - 3/4" - 16 UNF

9 - Option

<input type="text" value="P01"/>	MP Filtri standard
<input type="text" value="Pxx"/>	On request

Indicator plug:

Phosphated Steel plug T2 has to be ordered separately.

Code

<input type="text" value="T2H"/>	Seal NBR
<input type="text" value="T2V"/>	Seal FPM

For Clogging Indicator:
See page 318

MP Filtri - The filter functions as described in this bulletin are valid exclusively for original MP Filtri filter elements and replacement parts. All rights reserved.

The data in this publication are purely guideline. MP Filtri reserves the right to make changes to the models described herein at any time it deems fit in relation to technical or commercial requirements. The colours of the products shown on the cover are purely guideline. Copyright. All rights reserved.