



# Parts Manual

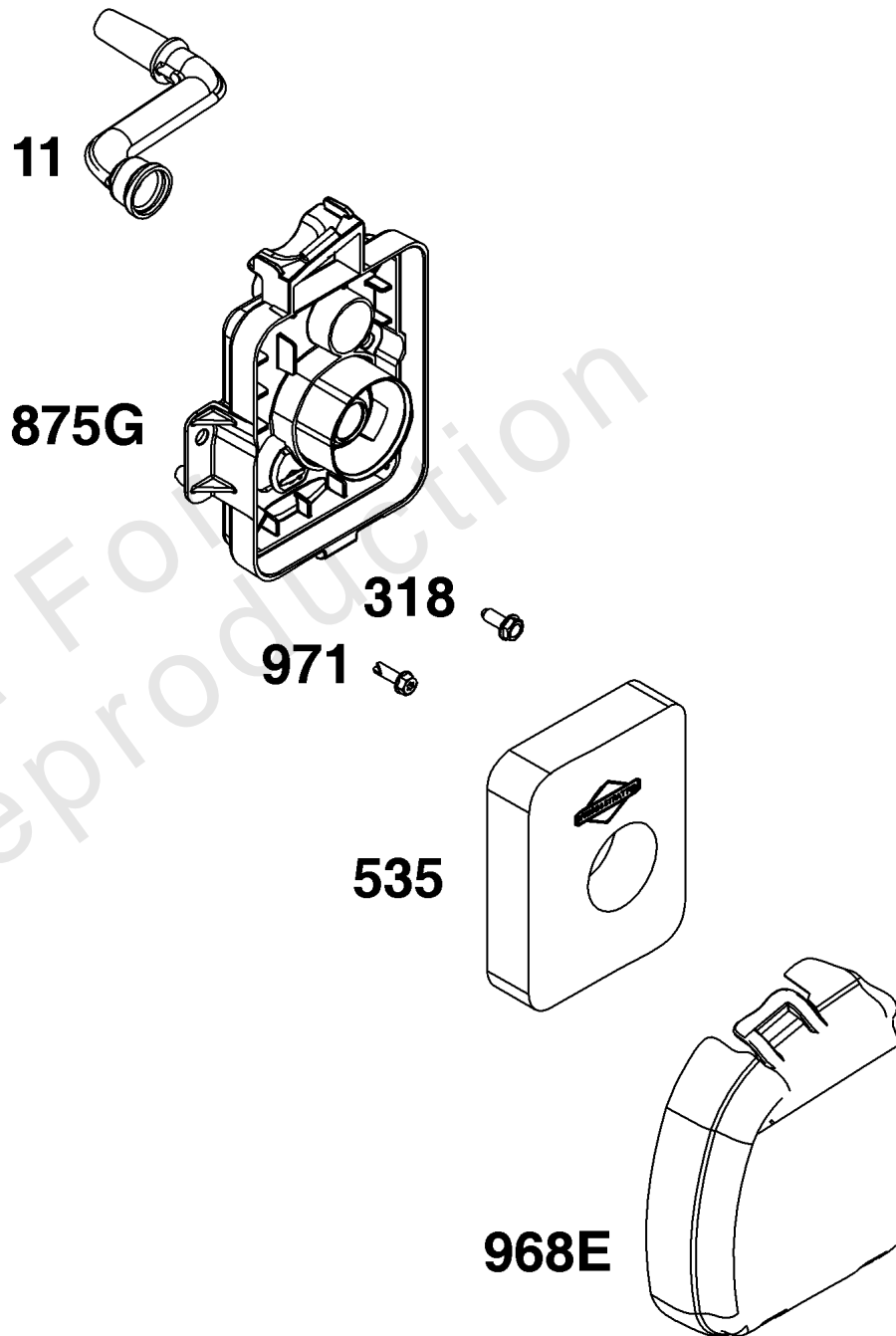
Mfg. No: 093J02-0105-H1



---

| <b>Model Components</b>                         | <b>Page</b> |
|---|-------------|
| Air Cleaner Group.....                          | 4           |
| Blower Housing Group.....                       | 6           |
| Carburetor Group.....                           | 8           |
| Controls Group.....                             | 10          |
| Crankcase Cover/Sump and Lubrication Group..... | 12          |
| Crankshaft Group.....                           | 14          |
| Cylinder Group.....                             | 16          |
| Cylinder Head Group.....                        | 18          |
| Exhaust Group.....                              | 20          |
| Flywheel, Ignition, and Starter Group.....      | 22          |
| Fuel Supply Group.....                          | 24          |

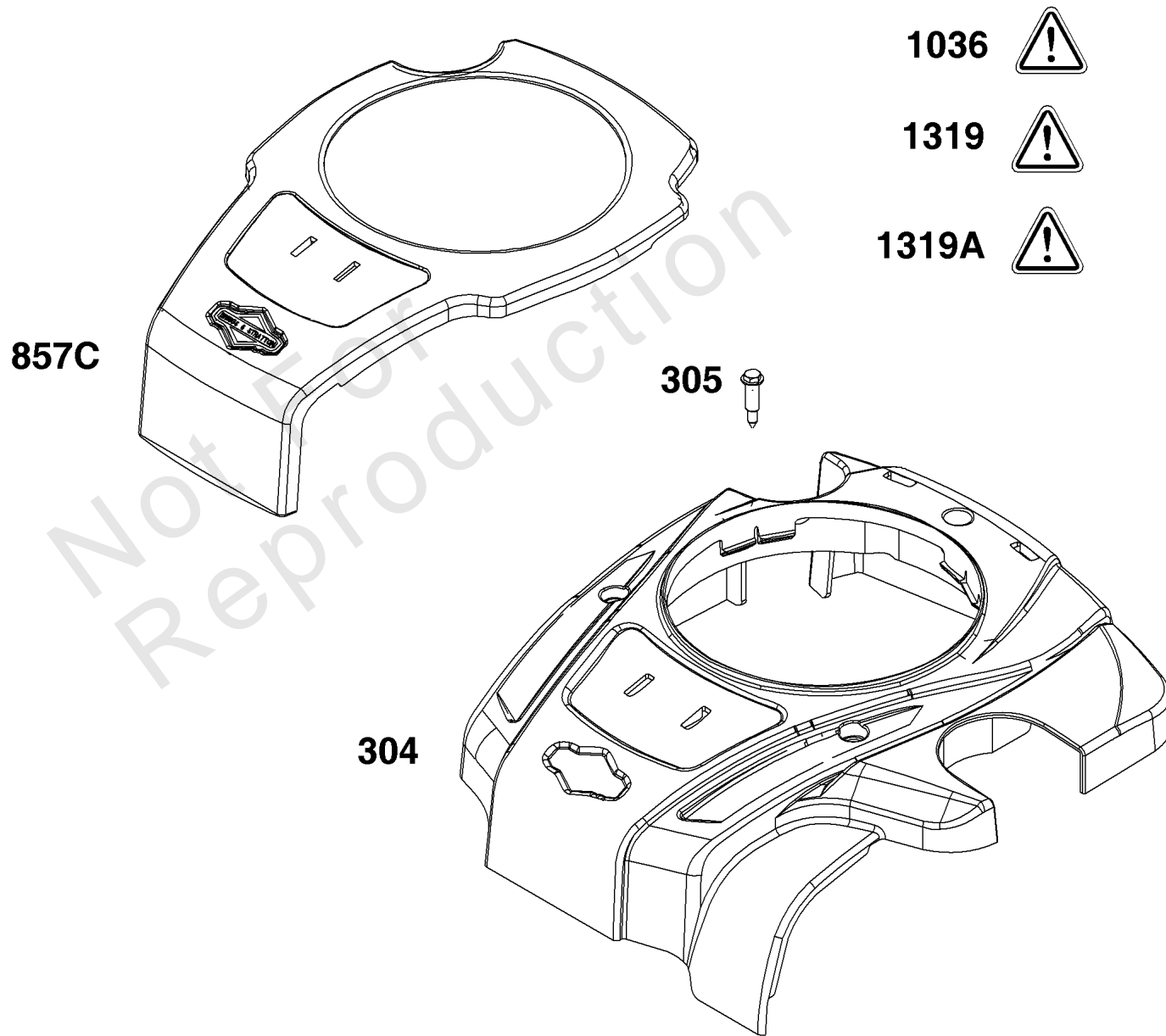
Not For  
Reproduction



## *Air Cleaner Group*

| REF NO | PART NO | QTY | DESCRIPTION  |
|--------|---------|-----|--|
| 11     | 590522  | 1   | TUBE, Breather   |
| 318    | 793480  | 2   | SCREW<br>-(Mounting Bracket)                             |
| 535    | 799579  | 1   | FILTER, Air Cleaner Foam                                 |
| 875G   | 595494  | 1   | BASE, Air Cleaner  |
| 968E   | 595493  | 1   | COVER, Air Cleaner                                       |
| 971    | 590552  | 2   | SCREW<br>-(Air Cleaner Base to Carburetor/Throttle Body) |

Not For Reproduction

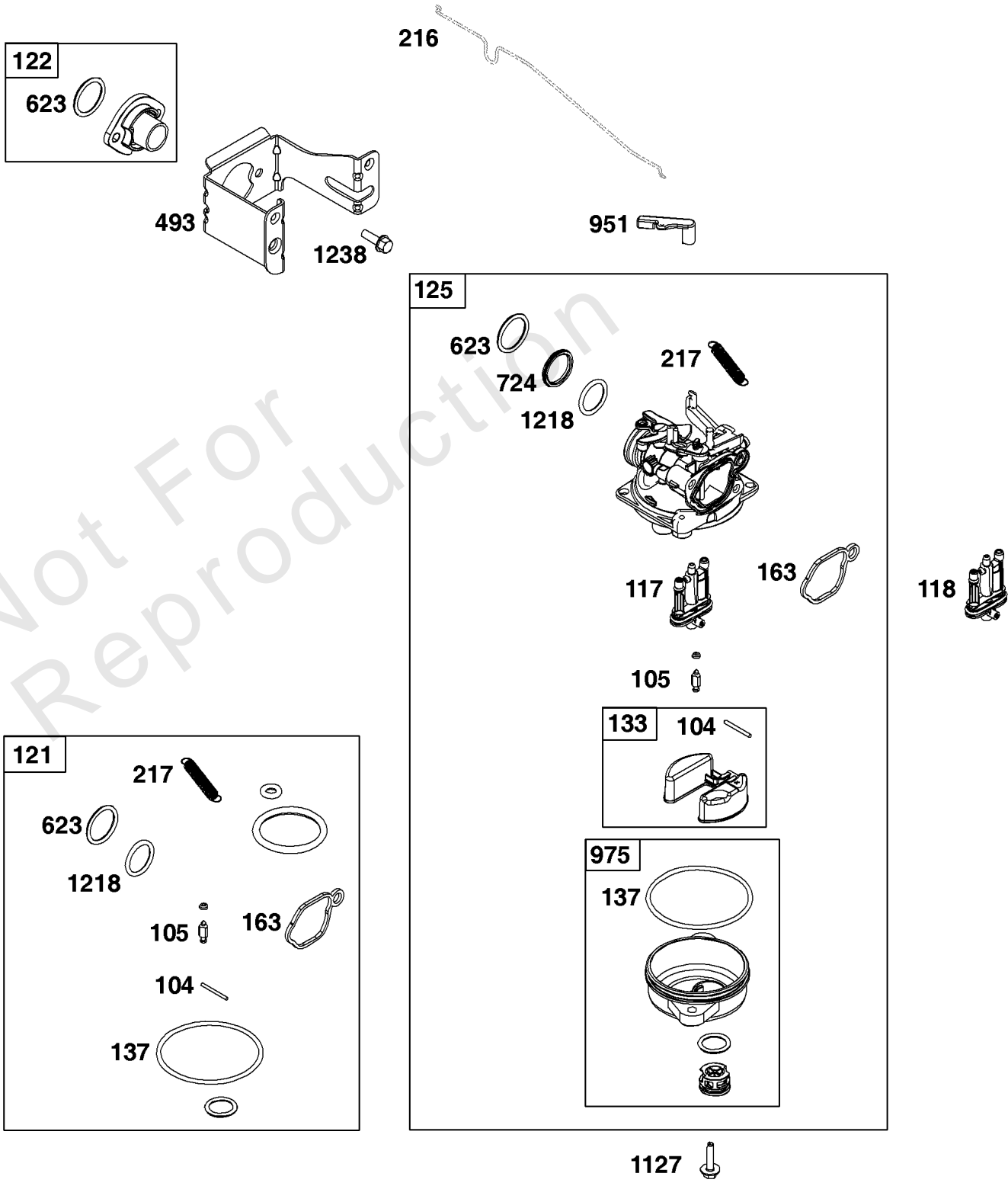


## ***Blower Housing Group***

---

| <b>REF NO</b> | <b>PART NO</b> | <b>QTY</b> | <b>DESCRIPTION</b>   |
|---------------|----------------|------------|--|
| 304           | 593961         | 1          | HOUSING, Blower  |
| 305           | 590586         | 3          | SCREW<br>-(Blower Housing)   |
| 857C          | 594778         | 1          | TRIM, Blower Housing Cover   |
| 1036          | -----          | 1          | LABEL, Emissions   |
| 1319          | 794467         | 1          | LABEL, Warning<br>-(REQUIRED When Replacing Parts With Warning Labels Affixed) |
| 1319A         | 797669         | 1          | LABEL, Warning<br>-(REQUIRED When Replacing Parts With Warning Labels Affixed) |

Not For Reproduction

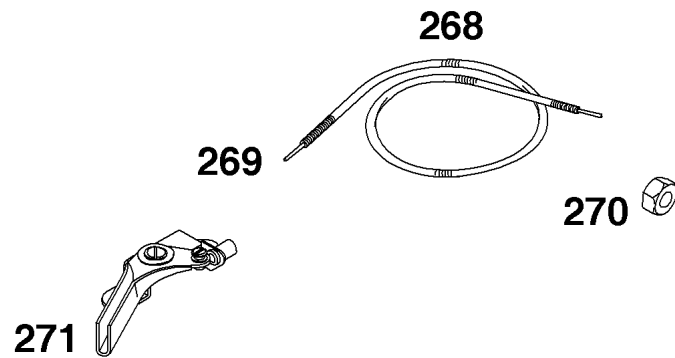
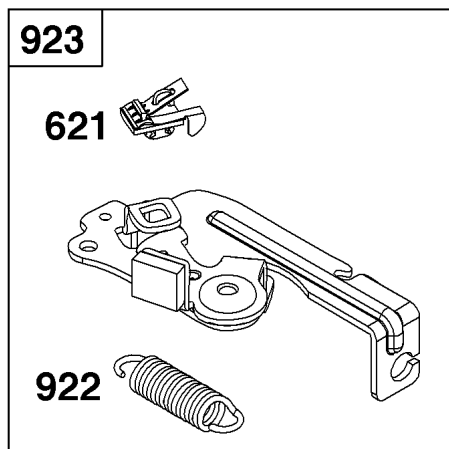
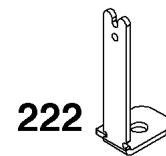
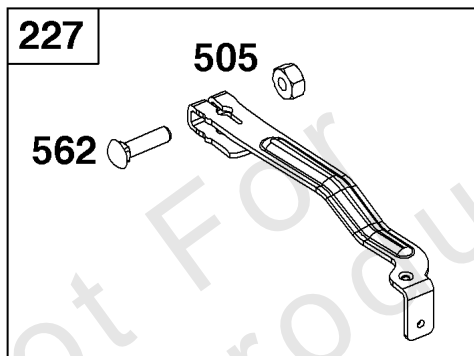
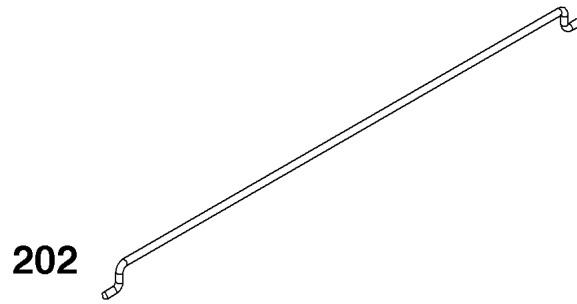
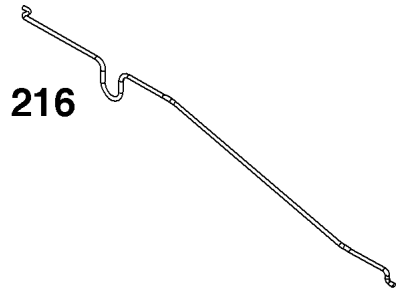


Not For  
Reproduction



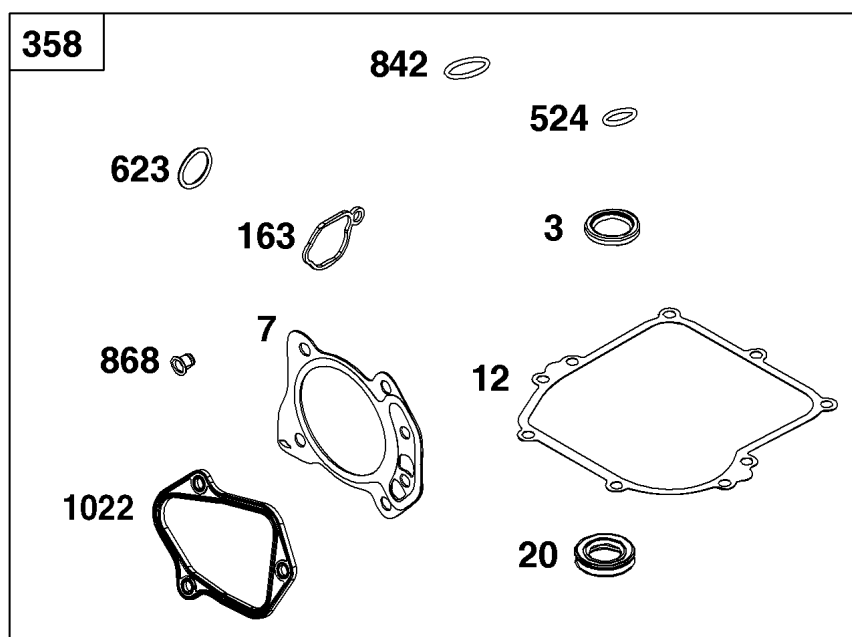
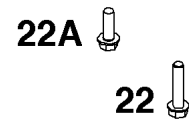
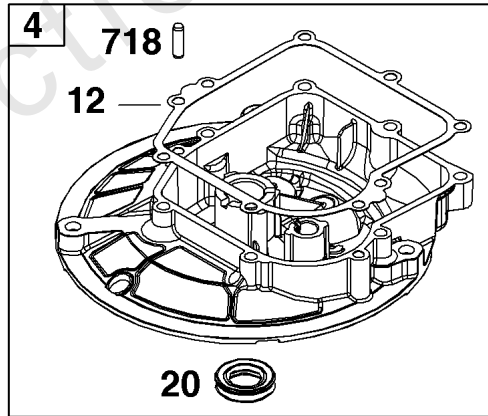
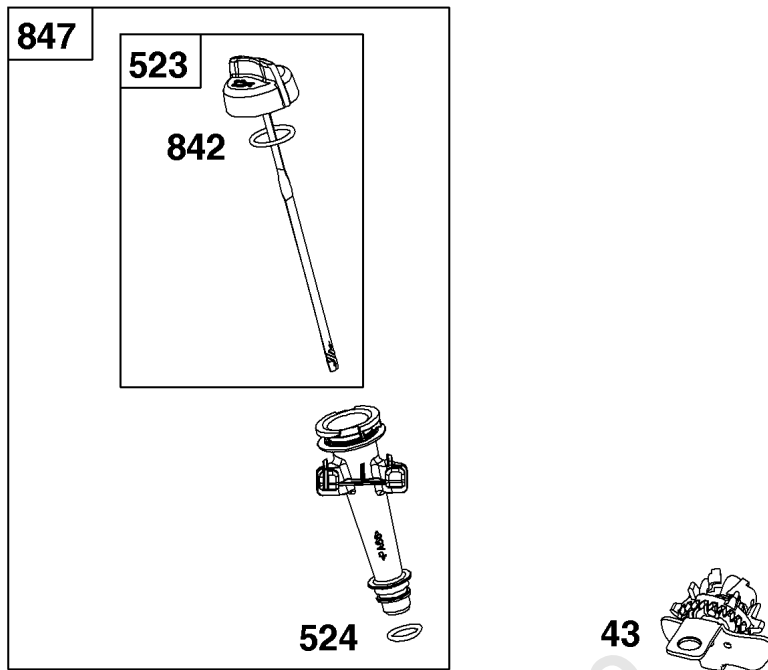
## Carburetor Group

| REF NO | PART NO  | QTY | DESCRIPTION  |
|--------|----------|-----|--|
| 104    | 590558   | 1   | PIN, Float Hinge   |
| 105    | 594581   | 1   | VALVE, Float Needle  |
| 117    | 594797   | 1   | JET, Main<br>-(Standard)<br>-Used Before Code Date 18100100                                      |
| 117    | 84002139 | 1   | JET, Main<br>-(Standard)<br>-Used After Code Date 18093000                                       |
| 118    | 593298   | 1   | JET, Main<br>-(High Altitude)<br>-Used Before Code Date 18100100                                 |
| 118    | 84002140 | 1   | JET, Main<br>-(High Altitude)<br>-Used After Code Date 18093000                                  |
| 121    | 594636   | 1   | KIT, Carburetor Overhaul<br>-(Service Kits may include extra parts not specific to this engine.) |
| 122    | 590549   | 1   | SPACER, Carburetor   |
| 125    | 594796   | 1   | CARBURETOR<br>-Used Before Code Date 18100100  |
| 125    | 84002145 | 1   | CARBURETOR<br>-Used After Code Date 18093000   |
| 133    | 591120   | 1   | FLOAT, Carburetor  |
| 137    | 594633   | 1   | GASKET, Float Bowl   |
| 163    | 799580   | 1   | GASKET, Air Cleaner<br>-(Air Cleaner)  |
| 216    | ----     | 1   | LINK, Choke<br>-(Part information located in Controls Group.)                                    |
| 217    | 590740   | 1   | SPRING, Choke Return   |
| 493    | 593330   | 1   | BRACKET, Mounting  |
| 623    | 799581   | 1   | SEAL, O-Ring<br>-(Carburetor Spacer)   |
| 724    | 697478   | 1   | RETAINER, Seal   |
| 951    | 591104   | 1   | LEVER, Choke   |
| 975    | 594632   | 1   | BOWL, Float  |
| 1127   | 590554   | 2   | SCREW<br>-(Float Bowl to Carburetor Body)  |
| 1218   | 270344S  | 1   | SEAL, O-Ring<br>-(Carburetor)  |
| 1238   | 590562   | 2   | SCREW<br>-(Carburetor Spacer)  |



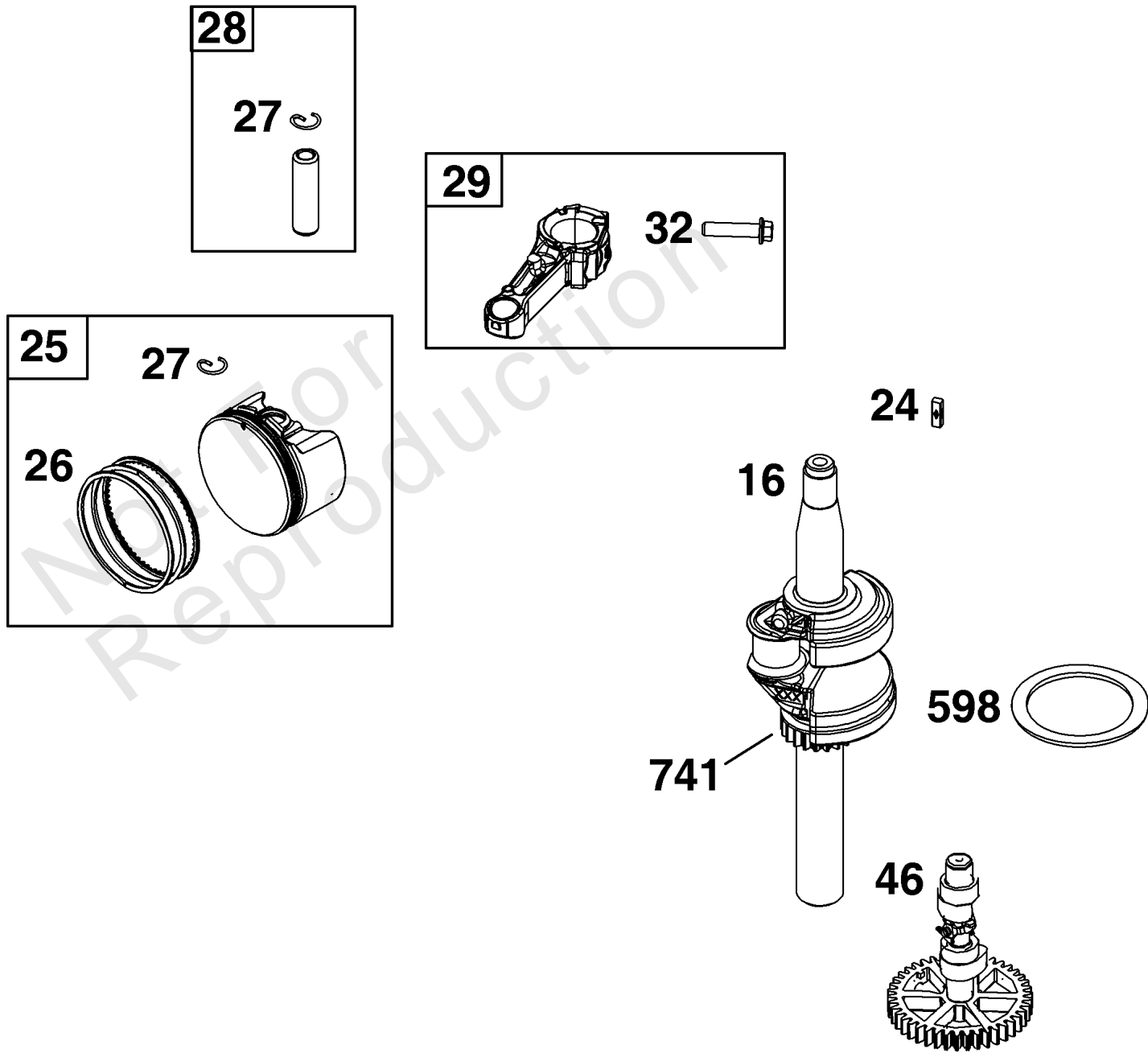
## Controls Group

| REF NO | PART NO | QTY | DESCRIPTION   |
|--------|---------|-----|---|
| 188    | 793480  | 1   | SCREW<br>-(Control Bracket)                         |
| 202    | 590517  | 1   | LINK, Mechanical Governor                           |
| 209    | 590541  | 1   | SPRING, Governor<br>-Used Before Code Date 17092700 |
| 209    | 597118  | 1   | SPRING, Governor<br>-Used After Code Date 17092600  |
| 216    | 590547  | 1   | LINK, Choke   |
| 222    | 596754  | 1   | BRACKET, Control                                    |
| 227    | 590520  | 1   | LEVER, Governor Control                             |
| 268    | 691025  | 1   | CASING, Control Wire                                |
| 269    | 691026  | 1   | WIRE, Control                                       |
| 270    | 691027  | 1   | NUT<br>-(Control Wire Casing)                       |
| 271    | 691028  | 1   | LEVER, Control                                      |
| 505    | 793515  | 1   | NUT<br>-(Governor Control Lever)                    |
| 562    | 793514  | 1   | BOLT<br>-(Governor Lever)                           |
| 621    | 692310  | 1   | SWITCH, Stop  |
| 745    | 691146  | 1   | SCREW<br>-(Brake)                                   |
| 745A   | 690859  | 1   | SCREW<br>-(Brake)                                   |
| 922    | 692135  | 1   | SPRING, Brake                                       |
| 923    | 691487  | 1   | BRAKE   |



## Crankcase Cover/Sump and Lubrication Group

| REF NO | PART NO  | QTY | DESCRIPTION   |
|--------|----------|-----|---|
| 3      | -----    | 1   | SEAL, Oil<br>-(Part information located in Cylinder Group.)   |
| 4      | 594101   | 1   | SUMP, Engine  |
| 7      | -----    | 1   | GASKET, Cylinder Head<br>-(Part information located in Cylinder Head Group.)  |
| 12     | 799587   | 1   | GASKET, Crankcase   |
| 20     | 399781S  | 1   | SEAL, Oil<br>-(PTO Side)  |
| 22     | 692551   | 6   | SCREW<br>-(Crankcase Cover/Sump)  |
| 22A    | 590763   | 1   | SCREW<br>-(Crankcase Cover/Sump)  |
| 43     | 594560   | 1   | SLINGER, Governor/Oil   |
| 163    | -----    | 1   | GASKET, Air Cleaner<br>-(Part information located in Carburetor Group.)   |
| 358    | 597186   | 1   | GASKET SET, Engine<br>-(Service Kits may include extra parts not specific to this engine.)<br>-Used Before Code Date 18070100 |
| 358    | 84001273 | 1   | GASKET SET, Engine<br>-(Service Kits may include extra parts not specific to this engine.)<br>-Used After Code Date 18063000  |
| 523    | 796503   | 1   | DIPSTICK  |
| 524    | 691876   | 1   | SEAL, O-Ring<br>-(Dipstick Tube)  |
| 623    | -----    | 1   | SEAL, O-Ring<br>-(Part information located in Carburetor Group.)  |
| 718    | 690959   | 2   | PIN, Locating   |
| 842    | 691031   | 1   | SEAL, O-Ring<br>-(Dipstick Cap)   |
| 847    | 590572   | 1   | DIPSTICK/TUBE ASSEMBLY  |
| 868    | -----    | 1   | SEAL, Valve<br>-(Part information located in Cylinder Head Group.)  |
| 1022   | -----    | 1   | GASKET, Rocker Cover<br>-(Part information located in Cylinder Head Group.)   |



## Crankshaft Group

| REF NO | PART NO | QTY | DESCRIPTION   |
|--------|---------|-----|---|
| 16     | 595241  | 1   | CRANKSHAFT  |
| 24     | 222698S | 1   | KEY, Flywheel                                       |
| 25     | 595502  | 1   | PISTON ASSEMBLY                                     |
| 26     | 592660  | 1   | SET, Ring   |
| 27     | 691588  | 1   | LOCK, Piston Pin                                    |
| 28     | 298909  | 1   | PIN, Piston   |
| 29     | 594089  | 1   | ROD, Connecting                                     |
| 32     | 691664  | 2   | SCREW<br>-(Connecting Rod)                          |
| 46     | 592968  | 1   | CAMSHAFT  |
| 598    | 592587  | 1   | SHIM, End Play<br>-(Crankshaft or Camshaft Bearing) |
| 741    | 594105  | 1   | GEAR, Timing  |

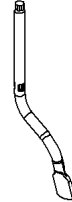
Not For Reproduction

615 

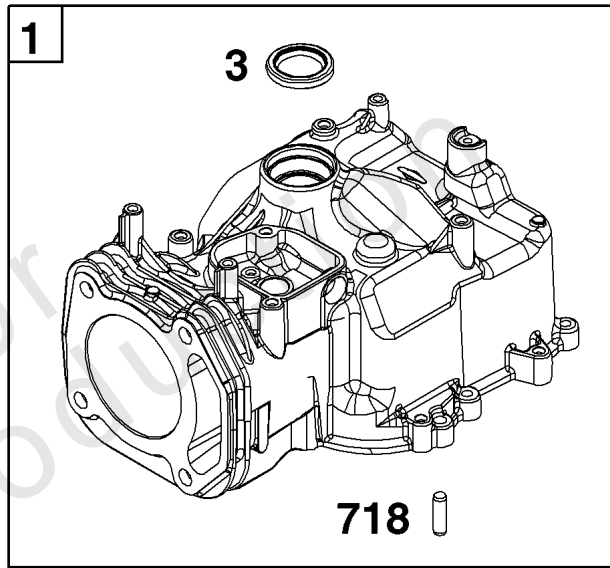
404 

1264 

1263 

616 

850



358

842 

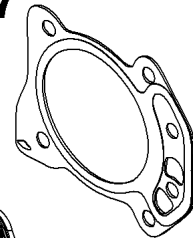
524 

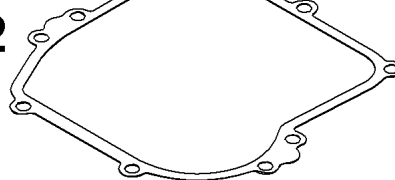
623 

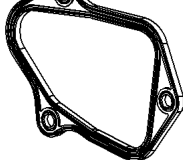
163 

3 

868 

7 

12 

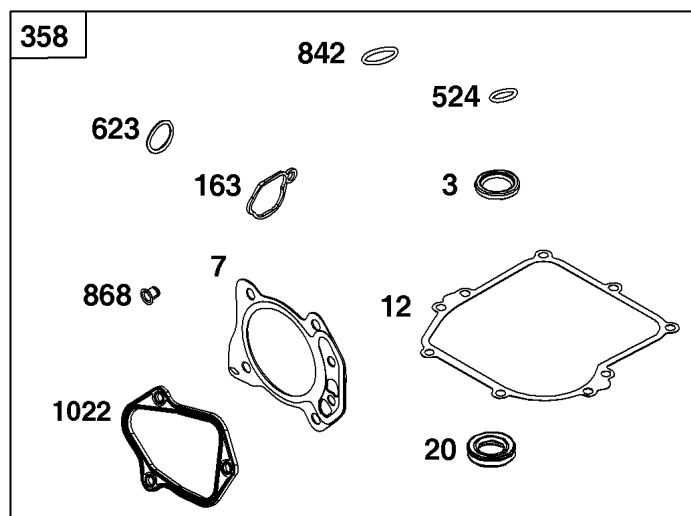
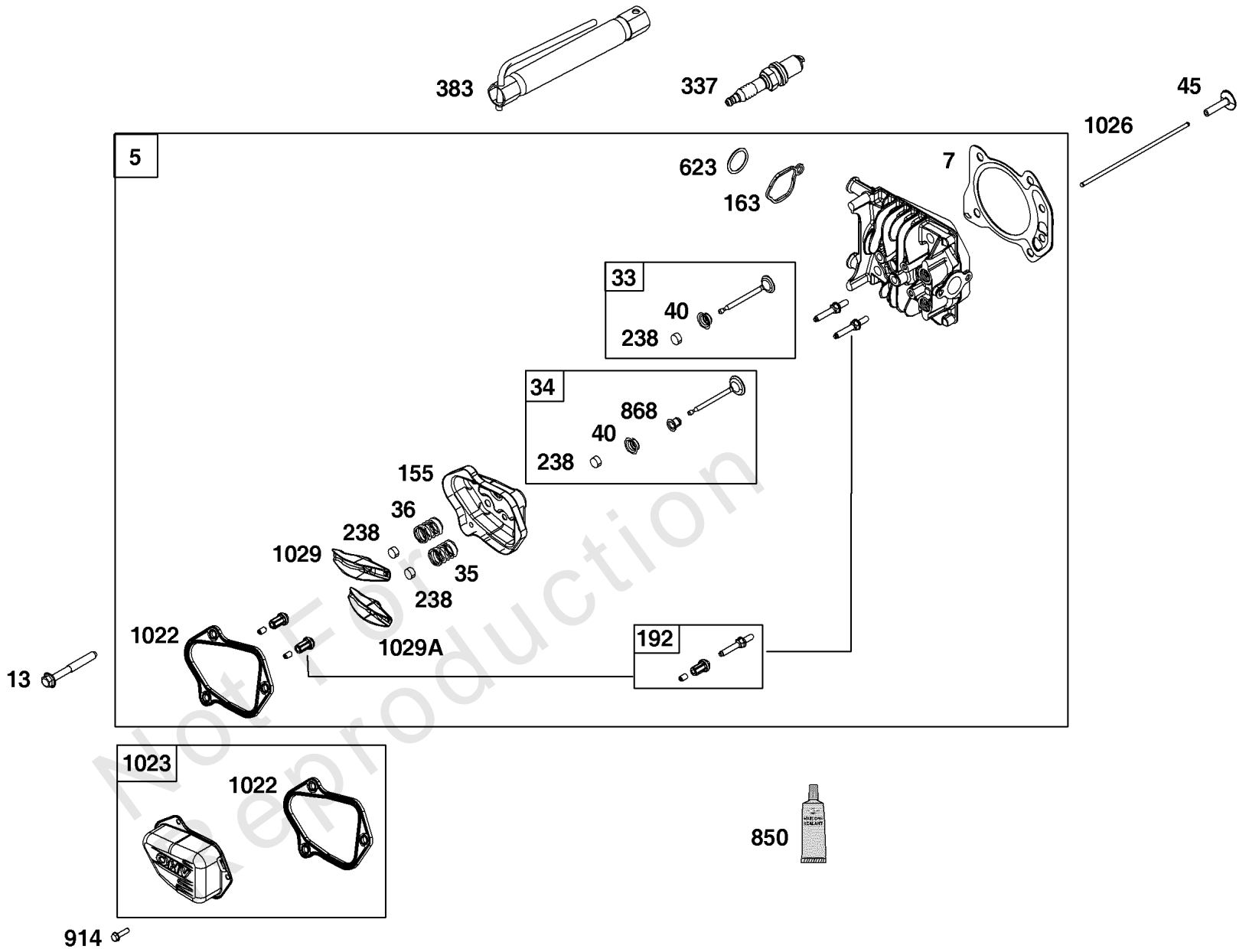
1022 

20 



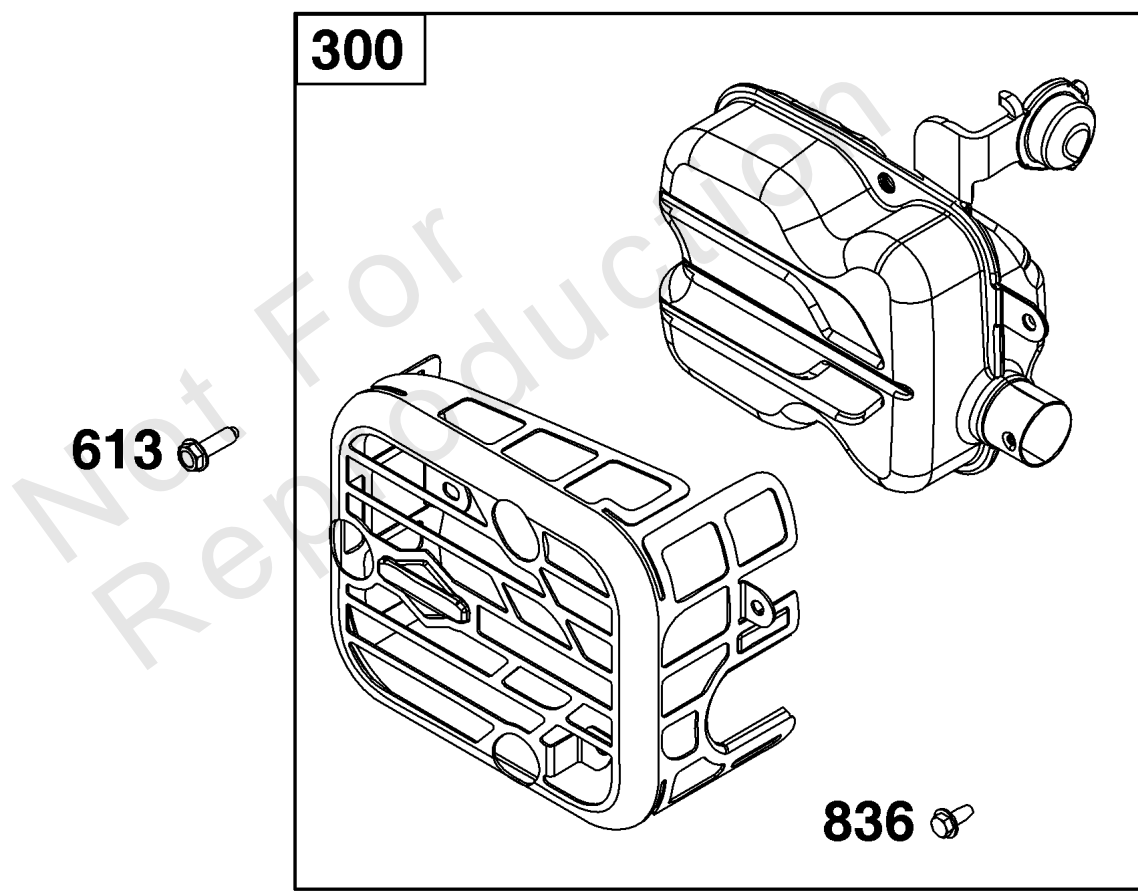
## Cylinder Group

| REF NO | PART NO | QTY | DESCRIPTION  |
|--------|---------|-----|--|
| 1      | 592359  | 1   | CYLINDER ASSEMBLY  |
| 3      | 299819S | 1   | SEAL, Oil<br>-(Magneto Side)   |
| 7      | -----   | 1   | GASKET, Cylinder Head<br>-(Part information located in Cylinder Head Group.)                     |
| 12     | -----   | 1   | GASKET, Crankcase<br>-(Part information located in Crankcase Cover/Sump and Lubrication Group.)  |
| 20     | -----   | 1   | SEAL, Oil<br>-(Part information located in Crankcase Cover/Sump and Lubrication Group.)          |
| 163    | -----   | 1   | GASKET, Air Cleaner<br>-(Part information located in Carburetor Group.)                          |
| 358    | -----   | 1   | GASKET SET, Engine<br>-(Part information located in Crankcase Cover/Sump and Lubrication Group.) |
| 404    | 690272  | 1   | WASHER<br>-(Governor Crank)  |
| 524    | -----   | 1   | SEAL, O-Ring<br>-(Part information located in Crankcase Cover/Sump and Lubrication Group.)       |
| 615    | 690340  | 1   | RETAINER, Governor Shaft   |
| 616    | 590516  | 1   | CRANK, Governor  |
| 623    | -----   | 1   | SEAL, O-Ring<br>-(Part information located in Carburetor Group.)                                 |
| 718    | 690959  | 2   | PIN, Locating  |
| 842    | -----   | 1   | SEAL, O-Ring<br>-(Part information located in Crankcase Cover/Sump and Lubrication Group.)       |
| 850    | -----   | 1   | SEALANT, Liquid<br>-(Part information located in Cylinder Head Group.)                           |
| 868    | -----   | 1   | SEAL, Valve<br>-(Part information located in Cylinder Head Group.)                               |
| 1022   | -----   | 1   | GASKET, Rocker Cover<br>-(Part information located in Cylinder Head Group.)                      |
| 1263   | 697124  | 1   | REED, Breather   |
| 1264   | 793453  | 1   | SCREW<br>-(Breather Reed)  |



## Cylinder Head Group

| REF NO | PART NO  | QTY | DESCRIPTION  |
|--------|----------|-----|--|
| 3      | -----    | 1   | SEAL, Oil<br>-(Part information located in Cylinder Group.)  |
| 5      | 595351   | 1   | HEAD, Cylinder<br>-Used Before Code Date 18070100  |
| 5      | 84001270 | 1   | HEAD, Cylinder<br>-Used After Code Date 18063000   |
| 7      | 592358   | 1   | GASKET, Cylinder Head  |
| 12     | -----    | 1   | GASKET, Crankcase<br>-(Part information located in Crankcase Cover/Sump and Lubrication Group.)    |
| 13     | 590512   | 4   | SCREW<br>-(Cylinder Head)  |
| 20     | -----    | 1   | SEAL, Oil<br>-(PTO Side) (Part information located in Crankcase Cover/Sump and Lubrication Group.) |
| 33     | 590531   | 1   | VALVE, Exhaust   |
| 34     | 590530   | 1   | VALVE, Intake<br>-Used Before Code Date 18070100   |
| 34     | 84001987 | 1   | VALVE, Intake<br>-Used After Code Date 18063000  |
| 35     | 590532   | 1   | SPRING, Valve<br>-(Intake)   |
| 36     | 590532   | 1   | SPRING, Valve<br>-(Exhaust)  |
| 40     | 590528   | 2   | RETAINER, Valve  |
| 45     | 590514   | 2   | TAPPET, Valve  |
| 155    | 590529   | 1   | PLATE, Cylinder Head   |
| 163    | -----    | 1   | GASKET, Air Cleaner<br>-(Part information located in Carburetor Group.)                            |
| 192    | 590535   | 2   | ADJUSTER, Rocker Arm   |
| 238    | 590533   | 2   | CAP, Valve   |
| 337    | 797434   | 1   | PLUG, Spark  |
| 358    | -----    | 1   | GASKET SET, Engine<br>-(Part information located in Crankcase Cover/Sump and Lubrication Group.)   |
| 383    | 19576S   | 1   | WRENCH, Spark Plug   |
| 524    | -----    | 1   | SEAL, O-Ring<br>-(Part information located in Crankcase Cover/Sump and Lubrication Group.)         |
| 623    | -----    | 1   | SEAL, O-Ring<br>-(Part information located in Carburetor Group.)                                   |
| 842    | -----    | 1   | SEAL, O-Ring<br>-(Part information located in Crankcase Cover/Sump and Lubrication Group.)         |
| 850    | 100106   | 1   | SEALANT, Liquid  |
| 868    | 590534   | 1   | SEAL, Valve<br>-Used Before Code Date 18070100   |
| 868    | 84001271 | 1   | SEAL, Valve<br>-Used After Code Date 18063000  |
| 914    | 591103   | 3   | SCREW<br>-(Rocker Cover)   |
| 1022   | 595341   | 1   | GASKET, Rocker Cover   |
| 1023   | 595349   | 1   | COVER, Rocker  |
| 1026   | 590515   | 2   | ROD, Push  |
| 1029   | 590526   | 1   | ARM, Rocker  |
| 1029A  | 590527   | 1   | ARM, Rocker  |



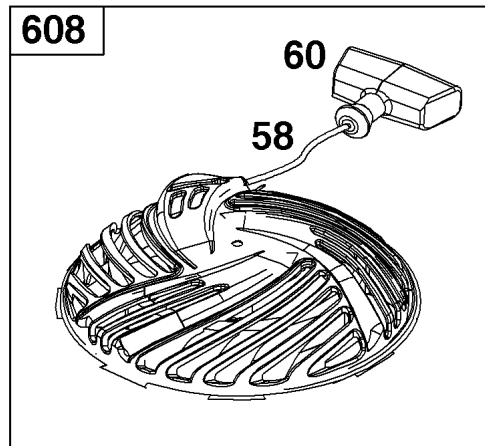
## *Exhaust Group*

---

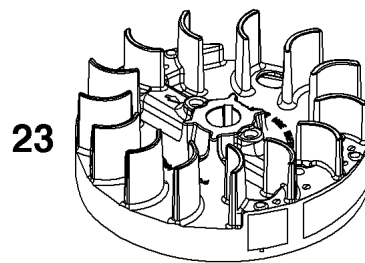
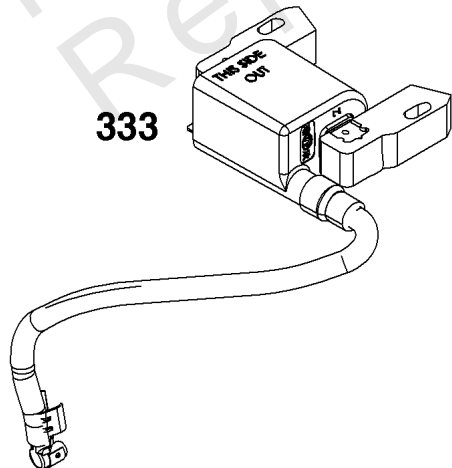
| REF NO | PART NO | QTY | DESCRIPTION               |
|--------|---------|-----|---------------------------|
| 300    | 595516  | 1   | MUFFLER                   |
| 613    | 590562  | 2   | SCREW<br>-(Muffler)       |
| 836    | 690661  | 3   | SCREW<br>-(Muffler Guard) |

---

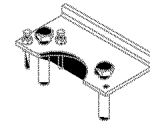
Not For Reproduction



333

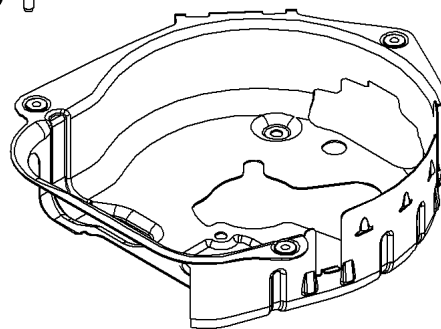


363

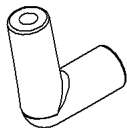


78

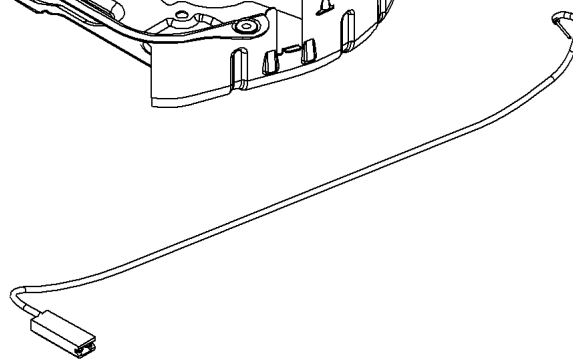
37



635



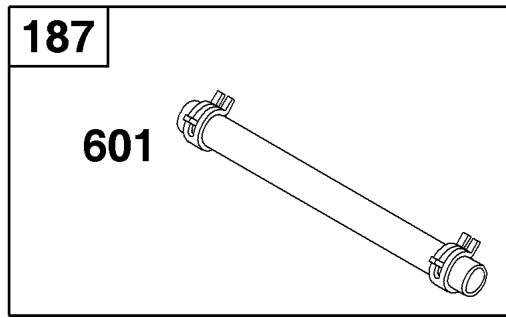
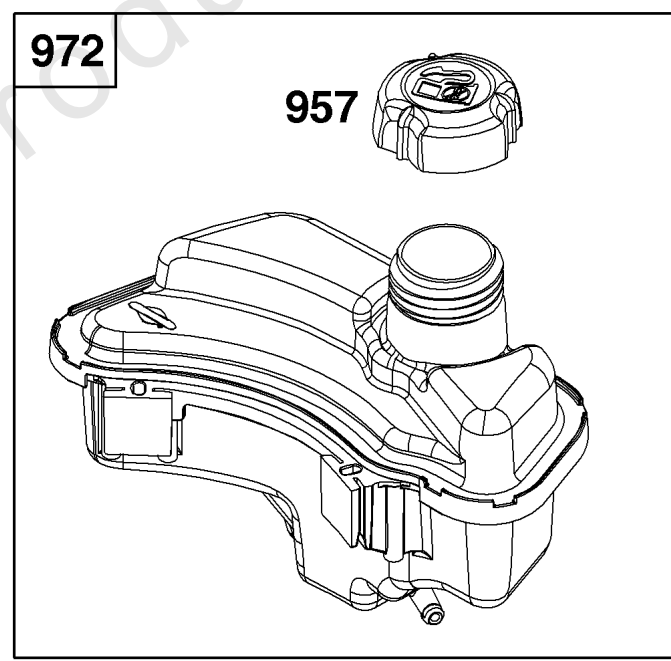
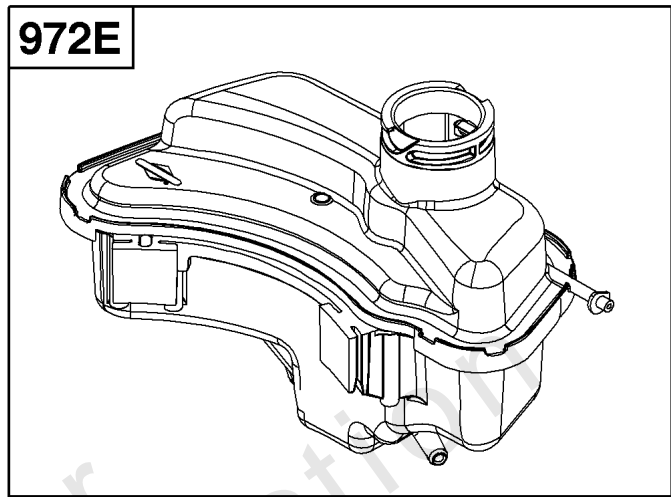
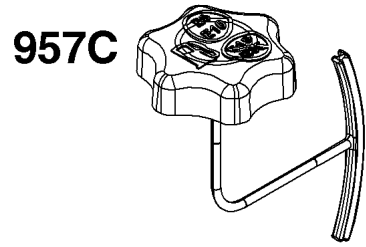
356



## ***Flywheel, Ignition, and Starter Group***

| <b>REF NO</b> | <b>PART NO</b> | <b>QTY</b> | <b>DESCRIPTION</b>           |
|---------------|----------------|------------|------------------------------|
| 23            | 590544         | 1          | FLYWHEEL                     |
| 37            | 594729         | 1          | GUARD, Flywheel              |
| 58            | 591108         | 1          | ROPE, Starter                |
| 60            | 691915         | 1          | GRIP, Starter Rope           |
| 78            | 793480         | 5          | SCREW<br>-(Flywheel Guard)   |
| 332           | 690662         | 1          | NUT<br>-(Flywheel)           |
| 333           | 595009         | 1          | ARMATURE, Magneto            |
| 334           | 691061         | 2          | SCREW<br>-(Magneto Armature) |
| 356           | 595018         | 1          | WIRE, Stop                   |
| 363           | 19619          | 1          | PULLER, Flywheel             |
| 455A          | 593960         | 1          | CUP, Flywheel                |
| 608           | 596468         | 1          | STARTER, Rewind              |
| 635           | 692076         | 1          | BOOT, Spark Plug             |
| 668           | 590546         | 1          | SPACER                       |

Not For Reproduction





## *Fuel Supply Group*

| REF NO | PART NO | QTY | DESCRIPTION    |
|--------|---------|-----|----------------|
| 187    | 791766  | 1   | LINE, Fuel     |
| 601    | 791850  | 1   | CLAMP, Hose    |
| 957    | 692046  | 1   | CAP, Fuel Tank |
| 957C   | 596250  | 1   | CAP, Fuel Tank |
| 972    | 591947  | 1   | TANK, Fuel     |
| 972E   | 596251  | 1   | TANK, Fuel     |

Not For Reproduction

