

# DOL 18

## Electronic Sub-pressure Sensor

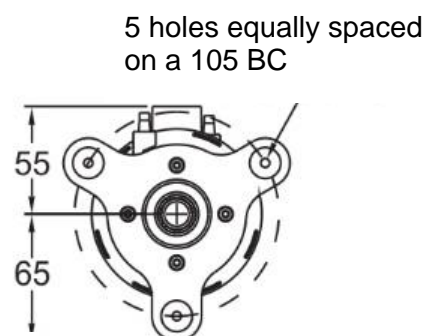
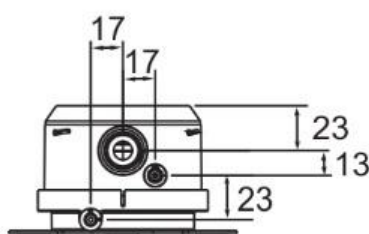
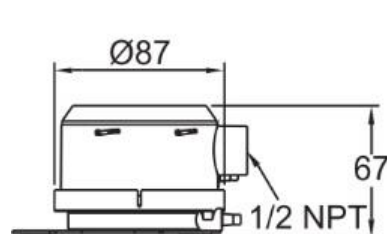


### PRODUCT DESCRIPTION

DOL 18 Electronic Sub-pressure sensor is a highly precise sensor for measuring sub-pressure.

The main application for DOL 18 is for measuring sub-pressure in livestock houses, but it can be used in other environments where sub-pressure measurements are needed.

### DIMENSIONS



### Wall Mount Bracket

Figure 1: Dimensions (mm)

### PRODUCT SURVEY



140233 DOL 18 ELECTRONIC SUB-PRESSURE SENSOR 100 PA

140234 DOL 18 ELECTRONIC SUB-PRESSURE SENSOR 300 PA

## TECHNICAL DATA

<b>Pressure Limits</b>		1 psi (6.89 kPa) maximum, operation 10 psi (68.9 kPa) burst
<b>Accuracy 1</b>	$\pm 1\%$	0.25" (50 Pa) 0.5" (100 Pa) 2" (500 Pa) 5" (1250)
<b>Accuracy 1</b>	$\pm 2\%$	0.1" (25 Pa) 1" (300 Pa) and all bi-directional ranges
<b>Stability</b>		$\pm 1\%$ F.S. / year
<b>Supply Voltage</b>		2-wire, 10 to 35 VDC 3-wire, 17 to 36 VDC or isolated 21.6 to 33 VAC
<b>Output signal</b>		2-wire, 4 to 20 mA 3-wire, 0 to 10 V or 0 to 5 V
<b>Response Time</b>		Provides a 95 % response time of 1.5 to 45 seconds
<b>Loop Resistance:</b>		Current output: 0-1250 $\Omega$ max Voltage output: min. load resistance 1 k $\Omega$
<b>Current Consumption</b>		40 mA max
<b>Electrical Connections</b>		4 to 20 mA units: 2-Wire: 0 to 10 V units: 3-Wire: European style terminal block for 16 to 26 AWG
<b>Electrical Entry</b>		1/2" NPS thread Cable gland for 5 to 10 mm diameter cable.
<b>Process Connections</b>		3/16" (5 mm) ID tubing. Maximum OD 9 mm.
<b>Enclosure Rating</b>		NEMA 4 (IP66)
<b>Mounting Orientation</b>		Diaphragm in vertical position
<b>Weight</b>		230 g