

The power behind your lights



Model: JLV-12150KA-L Size: 279\*57\*25mm



**Brief Information**

Ultra-thin  
25mm Height

**150W**

**Waterproof Power Supply (C.V.)**

Model JLV-12150KA-L / JLV-24150KA-L

Input 170~250V AC

Output 12VDC 12.5A 150W / 24VDC 6.25A 150W

**Product Features**

- Compact size, easy for installation
- High transfer efficiency
- Wide input range
- Stable constant voltage output
- IP67, both indoor & outdoor use suitable
- 100% full loading, 100% burn-in tested
- Overload/short circuit protection

**MAIN ELECTRICAL DATA**

**AC Input**

Input Voltage	170~250V
Input Frequency	50/60Hz
Efficiency (Typ.)	87%
Input Current	230V: 1.45A max.
Inrush Current	40A
Leakage Current	3mA/230VAC

**DC Output**

Output Voltage	12V	24V
Rated Current	12.5A	6.25A
Rated Power	150W	150W
Ripple & Noise (Max.)	<100mVp-p	<100mVp-p
Setup, Rise Time	1500ms/230VAC	1500ms/230VAC
Line Regulation	1%	1%
Load Regulation	1%	1%

**Service Environment**

Working Temp.	-30°C~50°C
Working Humidity	20~95%RH
Storage Temp.	-40°C~80°C
Storage Humidity	10~95%RH

**Protection**

Overload	Yes, cut-off mode, output shuts down if over-loaded
Short Circuit	Yes, hiccup mode, recovers automatically after fault condition is removed

**Safety**

Safety Standard	EN 61347-2-13
Withstand Voltage	I/P-O/P: 3750VAC/1min/<5mA
Isolation Resistance	I/P-O/P: >100M Ohms / 500VDC /25°C / 70%RH

**Packaging Information**

Product Dimension	279*57*25mm
Products Net Weight	680G
PCS/Carton(QTY)	25 PCS
Master Carton Size	41.5*33*18cm
G. Weight/ Carton	18KG

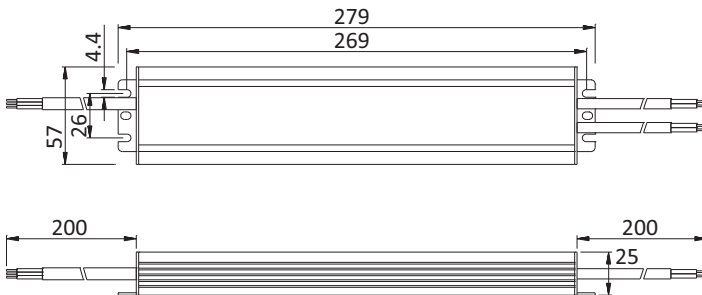
**Installation Tips:**

- Please identify the power supply's input and output before installation.
- Ensure correct output + & - wire connection. Power on after wire connection is done.
- To avoid voltage drop and loading capacity wasting on the output extension wire, please install the power supply to the loading as near as possible, if must use long extension wires, thicker wires and less loading wattage is required.
- The power supply to be installed at good ventilation and cooling environment.

The power behind your lights

## Physical Drawing

Unit: mm



### Brief Information

Ultra-thin  
25mm Height

# 150W

### Waterproof Power Supply (C.V.)

Model JLV-12150KA-L / JLV-24150KA-L

Input 170~250V AC

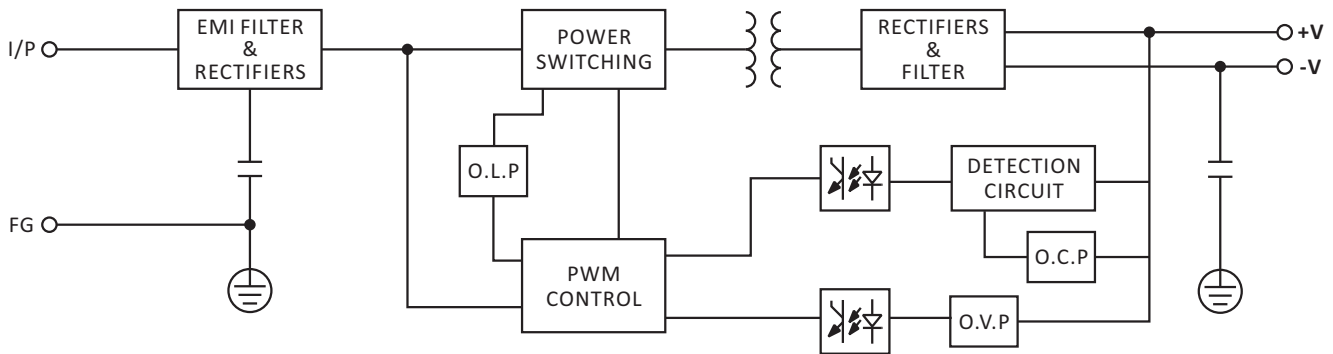
Output 12VDC 12.5A 150W / 24VDC 6.25A 150W

Input: 3x1.0mm<sup>2</sup> wire, Brown L, Blue N  
200mm length

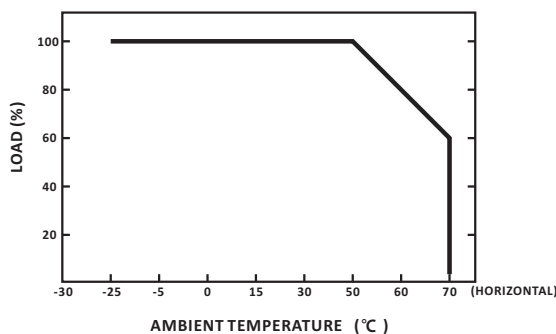
Output: 2x0.75mm<sup>2</sup> wire, Red +, Black -  
200mm length

Housing: Aluminium

## Block Diagram



## Derating Curve



## Static Characteristics

