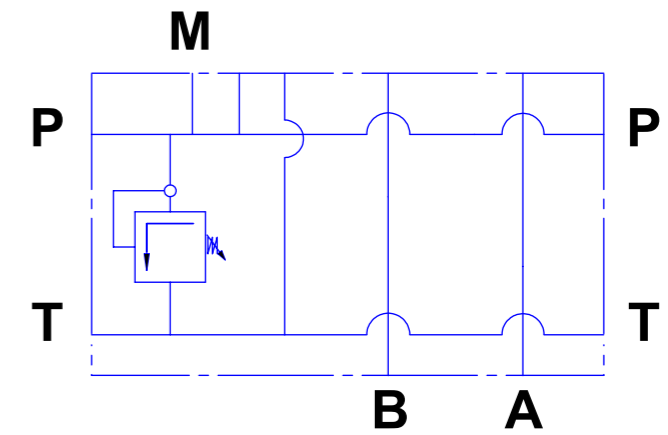
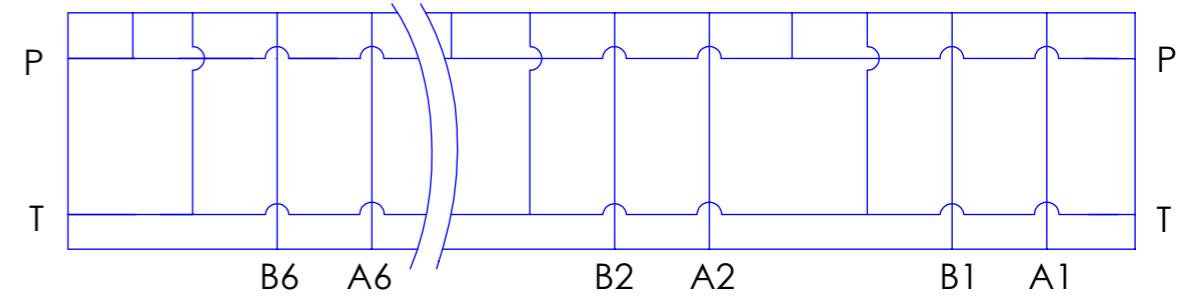
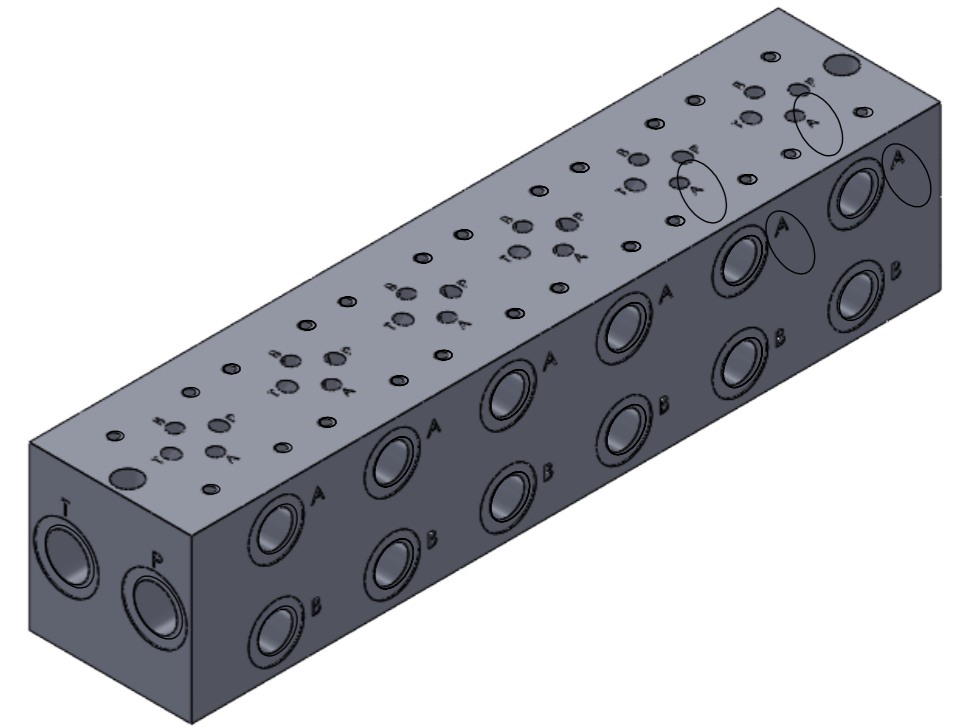
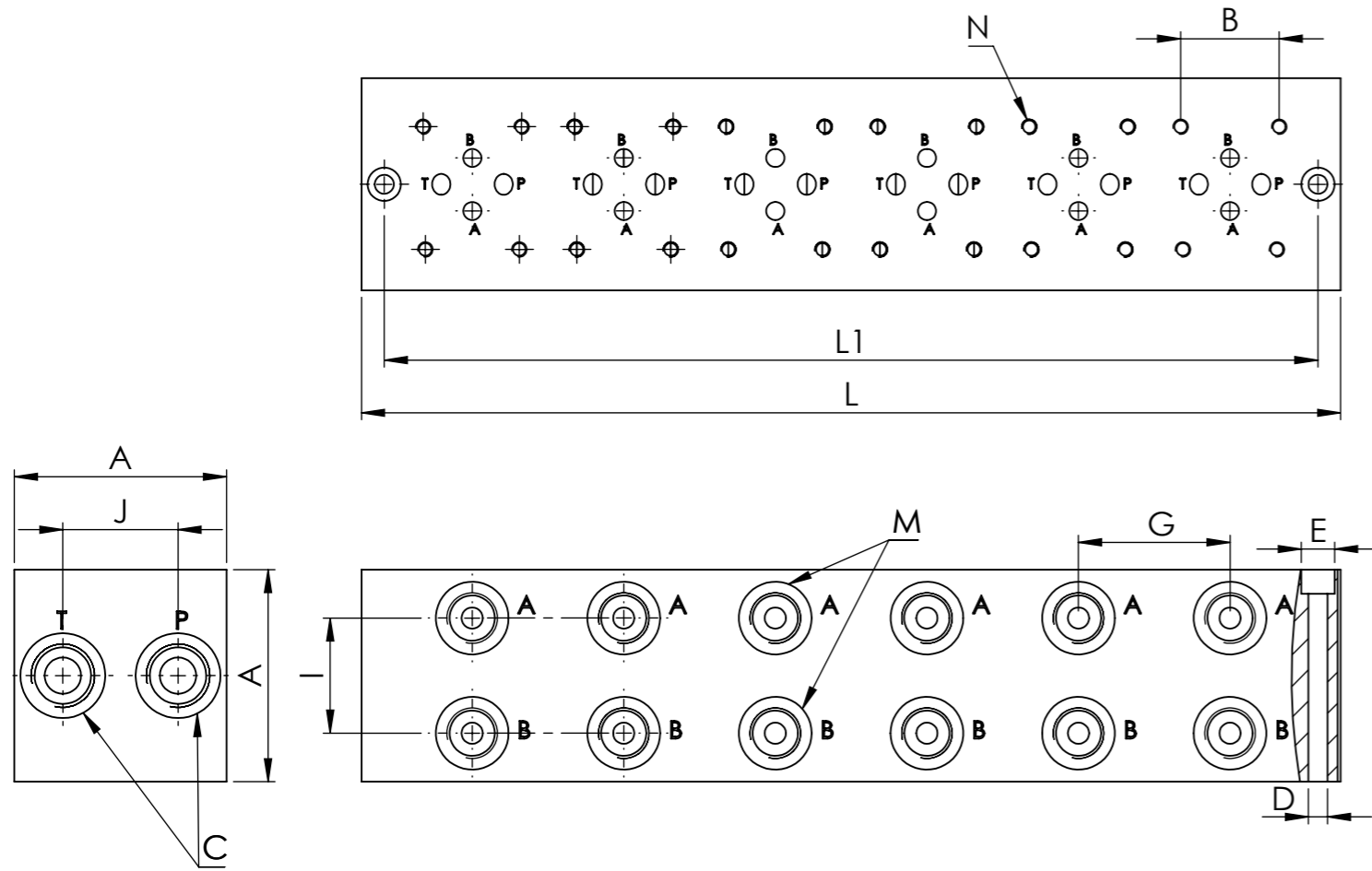


Hydraulic Schema

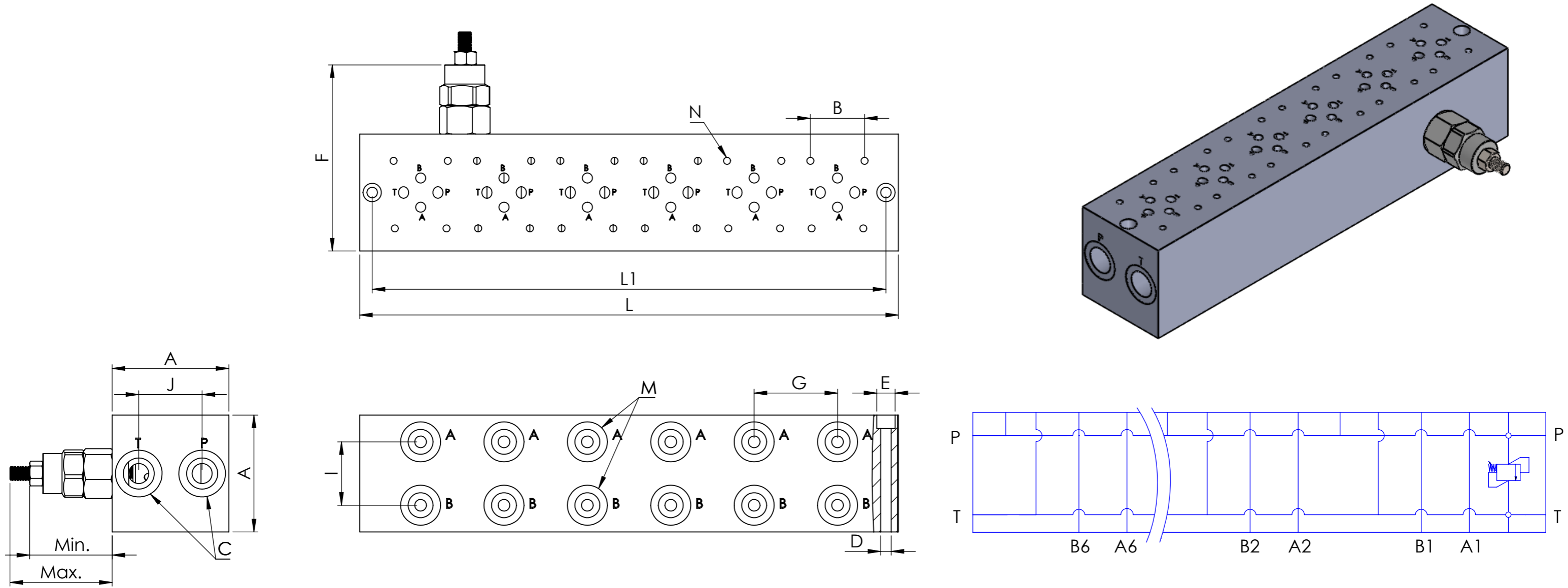


| | |
|------------------|------------------------------|
| MAX. FLOW RATE | 40 L/min |
| MAX. PRESSURE | 250 bar |
| PORT THREAD | P, T = G 3/8 A, B = G 3/8 |
| MOUNTING SURFACE | NG6 |



Technical specifications

| KOD (code) | İSTASYON (station) | (Dimensions)-mm | | | | | | | | | | | |
|---------------|-----------------------|-----------------|------|---------|-----|----|----|----|----|-----|-----|---------|----|
| | | A | B | C | D | E | G | I | J | L | L1 | M | N |
| NG6-P1 | 1 | 70 | 32.5 | G1/2-14 | 6.5 | 11 | 50 | 38 | 38 | 73 | 58 | G3/8-19 | M5 |
| NG6-P2 | 2 | 70 | 32.5 | G1/2-14 | 6.5 | 11 | 50 | 38 | 38 | 123 | 108 | G3/8-19 | M5 |
| NG6-P3 | 3 | 70 | 32.5 | G1/2-14 | 6.5 | 11 | 50 | 38 | 38 | 173 | 158 | G3/8-19 | M5 |
| NG6-P4 | 4 | 70 | 32.5 | G1/2-14 | 6.5 | 11 | 50 | 38 | 38 | 223 | 208 | G3/8-19 | M5 |
| NG6-P5 | 5 | 70 | 32.5 | G1/2-14 | 6.5 | 11 | 50 | 38 | 38 | 273 | 258 | G3/8-19 | M5 |
| NG6-P6 | 6 | 70 | 32.5 | G1/2-14 | 6.5 | 11 | 50 | 38 | 38 | 323 | 308 | G3/8-19 | M5 |



Tecnicial specification

| KOD (code) | KAVİTE (cavity) | MAKSİMUM BASINÇ (MAX. PRESSURE) (bar) | İSTASYON (station) | (Dimensions)-mm | | | | | | | | | | | | | | |
|---------------|--------------------|---|-----------------------|-----------------|------|---------|-----|----|-----|----|-------|-------|----|----|-----|-----|---------|----|
| | | | | A | B | C | D | E | F | G | H Max | H Min | I | J | L | L1 | M | N |
| NG6-P2-RV | 10 | 250 | 2 | 70 | 32.5 | G1/2-14 | 6.5 | 11 | 111 | 50 | 56 | 49 | 38 | 38 | 123 | 108 | G3/8-19 | M5 |
| NG6-P3-RV | 10 | 250 | 3 | 70 | 32.5 | G1/2-14 | 6.5 | 11 | 111 | 50 | 56 | 49 | 38 | 38 | 173 | 158 | G3/8-19 | M5 |
| NG6-P4-RV | 10 | 250 | 4 | 70 | 32.5 | G1/2-14 | 6.5 | 11 | 111 | 50 | 56 | 49 | 38 | 38 | 223 | 208 | G3/8-19 | M5 |
| NG6-P5-RV | 10 | 250 | 5 | 70 | 32.5 | G1/2-14 | 6.5 | 11 | 111 | 50 | 56 | 49 | 38 | 38 | 273 | 258 | G3/8-19 | M5 |
| NG6-P6-RV | 10 | 250 | 6 | 70 | 32.5 | G1/2-14 | 6.5 | 11 | 111 | 50 | 56 | 49 | 38 | 38 | 323 | 308 | G3/8-19 | M5 |