

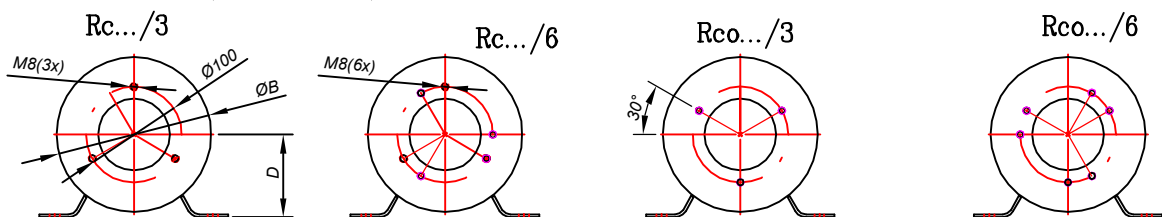
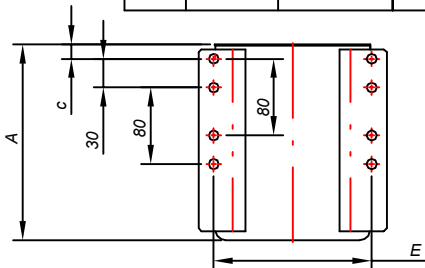
Справочник за избор на резервоари / Product choice of tanks for PRP18

ориентация на извод P/ pump port P-direction →

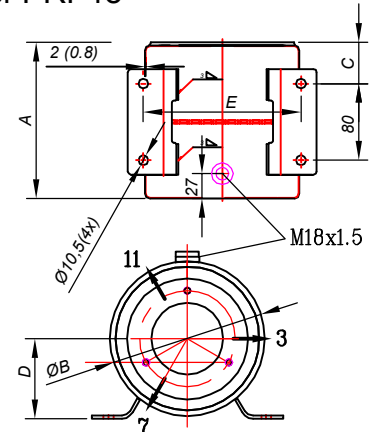
резервоар стандартен цилиндричен за помпи PRP ... tank standard for pumps PRP ...									
3 отвора / with 3 holes M8									
	thickness 2 mm		thickness 0.8 mm		A	ØB	C	D	E
2 L	R2/3	(502-01)	R2/3c	(502-02)	130	160	30	85	165
3 L	R3/3	(416-01)	R3/3c	(416-02)	160	160	40	85	165
5 L	R5/3	(418-01)	R5/3c	(418-02)	215	185	53	100	165
7 L	R7/3	(500-01)	R7/3c	(500-02)	245	205	53	115	165
6 отвора / with 6 holes M8									
	thickness 2 mm		thickness 0.8 mm		A	ØB	C	D	E
2 L	R2/6	(502)	R2/6c	(502-03)	130	160	30	85	165
3 L	R3/6	(416)	R3/6c	(416-03)	160	160	40	85	165
5 L	R5/6	(418)	R5/6c	(418-03)	215	185	53	100	165
7 L	R7/6	(500)	R7/6c	(500-03)	245	205	53	115	165

- * резервоар с 6 отвора - външен пръстен V
- * tank with 6 holes - outside sealing V
- * tank without Hole M18x1.5 - example R2/3cx

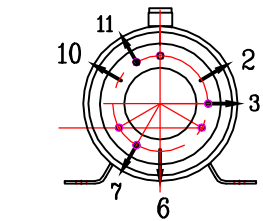
резервоар стандартен цилиндричен Rc за помпи PRP ... tank standard type Rc for pumps PRP ...					
3 отвора / with 3 holes M8					
	thickness 0.8 mm		A	ØB	E
3 L	Rc3/3	533-01	157	160	165
4 L	Rc4/3	533	205	160	165
6 отвора / with 6 holes M8					
	thickness 0.8 mm		A	ØB	E
3 L	Rc3/6	533-02	157	160	165
4 L	Rc4/6	533-03	205	160	165



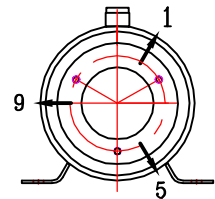
- * резервоар с 6 отвора - външен пръстен V
- * tank with 6 holes - outside sealing V



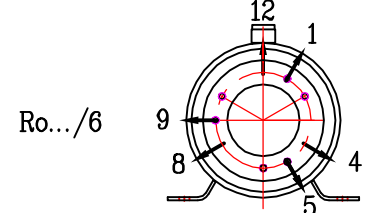
R.../3



R.../6



Ro.../3



Ro.../6

