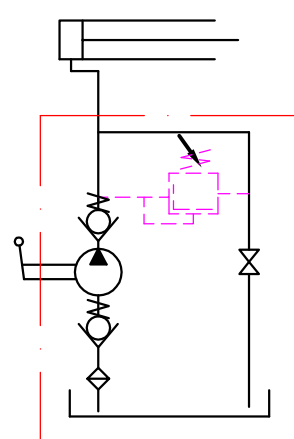
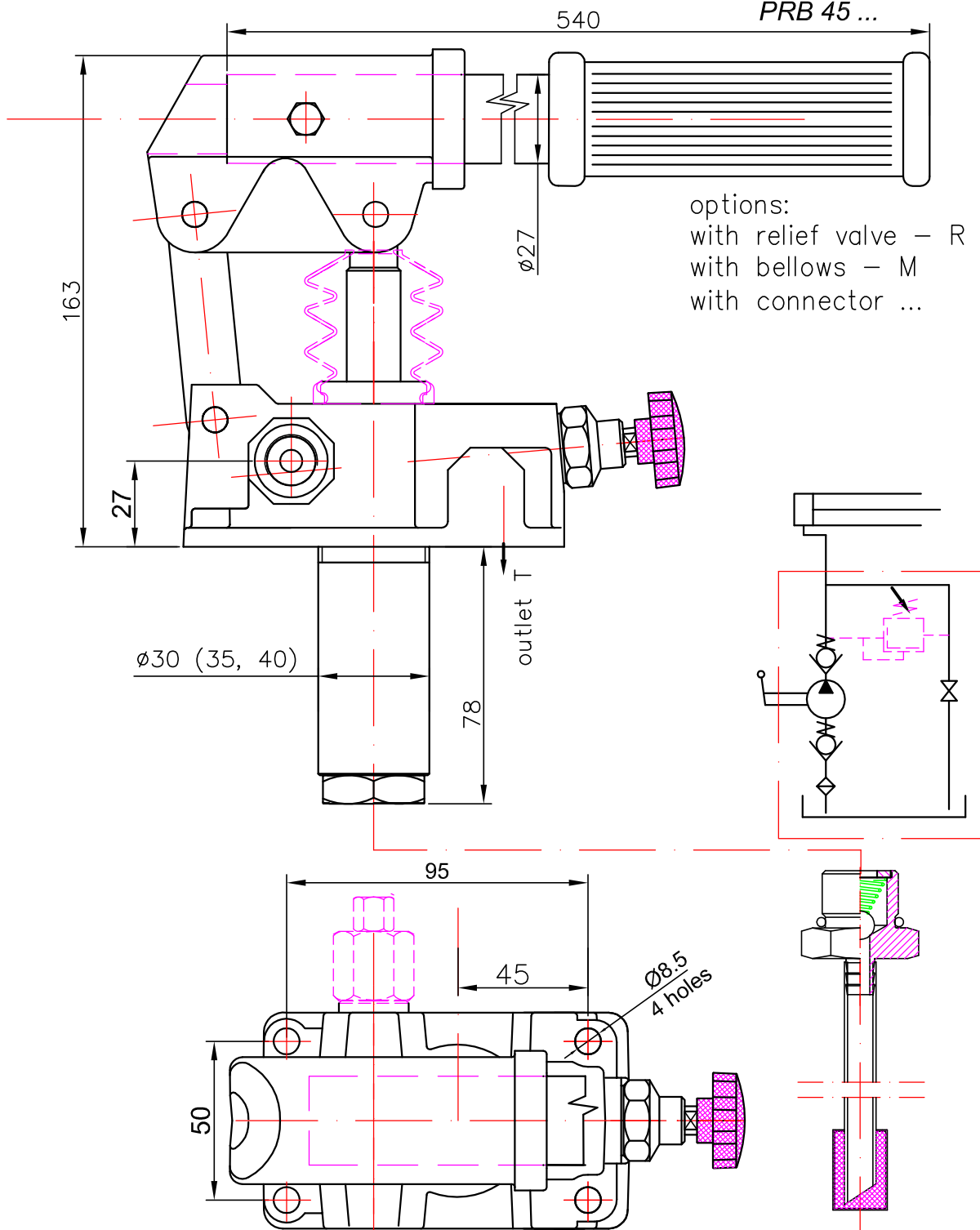


PISTON HAND PUMP
 double acting function
 for a single acting cylinder

PRB 12 ...
 PRB 25 ...
 PRB 45 ...

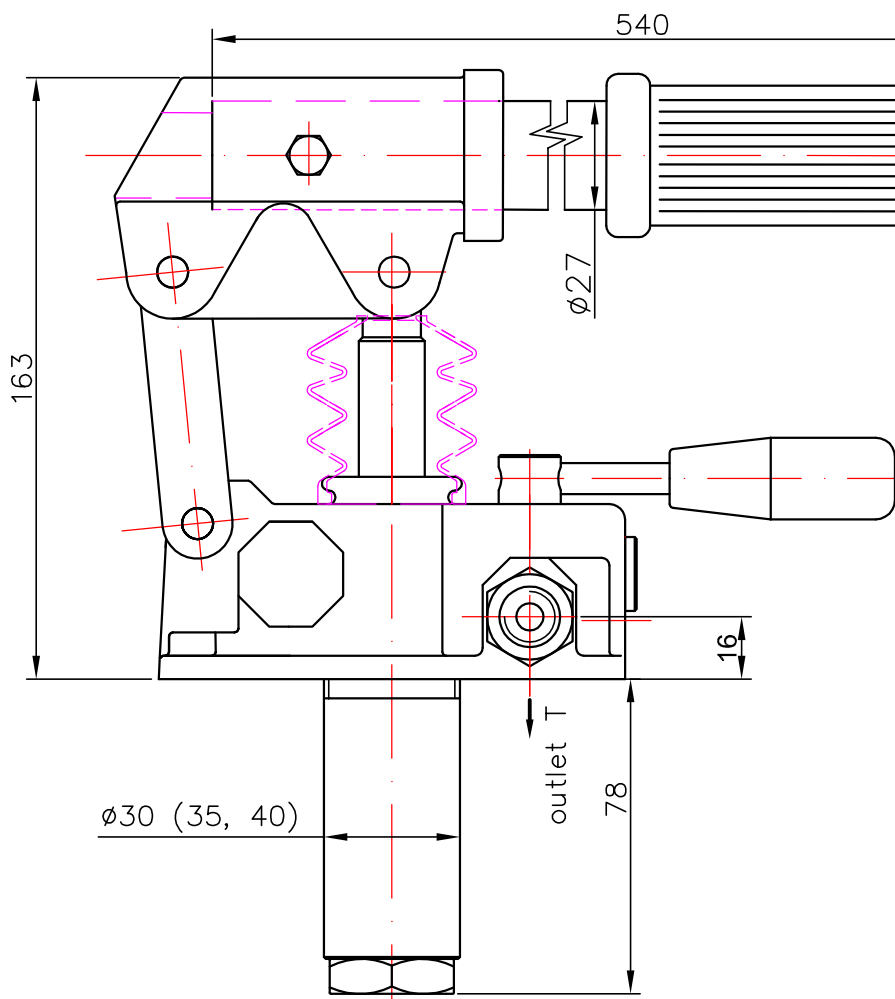


G 3/8
 DIN 3852-2

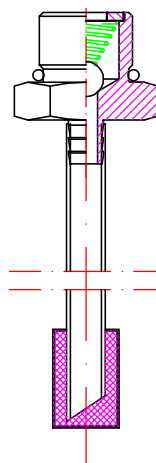
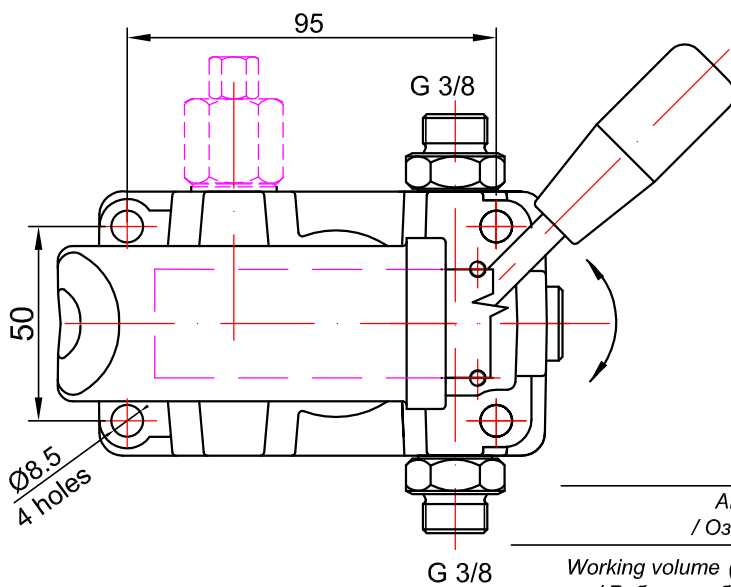
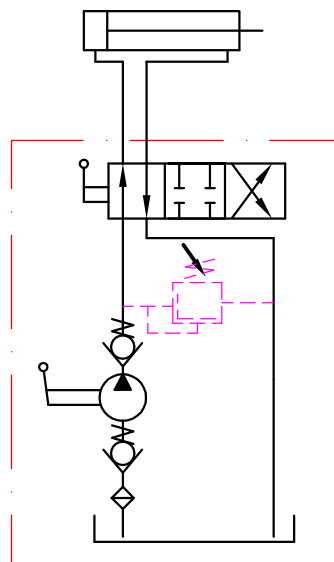
Article № / Означеніе /	PRB12..	PRB25..	PRB45..
Working volume (ccm) / Работен обем /	12	25	45
Rated pressure (bar) / Номинално налягане /	320	250	160
Weight (kg) / Маса /	4.0	4.2	4.3

PISTON HAND PUMP
 double acting function
 for a double acting cylinder

PRBD 12 ...
 PRBD 25 ...
 PRBD 45 ...



options:
 with relief valve – R
 with bellows – M
 with connector ...



Article № / Означение /	PRBD12..	PRBD25..	PRBD45..
Working volume (ccm) / Работен обем /	12	25	45
Rated pressure (bar) / Номинално налягане /	320	250	160
Weight (kg) / Маса /	4.0	4.2	4.3