



+ GE2

2-WAY HIGH PRESSURE BALL VALVES



CARBON STEEL

- Type: ball valve GE 2 way
- Body: block
- Material: 1,0737
- Ball seats: from DN4 up to DN25
- O-Rings: NBR, FKM, EPDM, MVQ
- Operating pressure: 500 Bar depending on valve size and seal materials selected
- Temp range: -20°C to +100°C depending on seal material selected

GE2 G 1/2 DN13 1 1 1 1 A B

Type and way of valve	GAS DIN/ISO 228 BSP	NPT ANSI/ASME B1.20.1	SAE J1926-1	DIN 2353 HEAVY SERIES	DIN 2353 LIGHT SERIES	Nominal dimension	Body material	Adapter material	Stem material	Ball material	Ball seat material	Adapter and stem seal material
GE2 2-way	G 1/8	N 1/8	SAE4	8S	6L	DN4	1 1,0737	1 1,0737	1 1,0737	1 1,0737	A POM D PEEK G PA612 K GEMPTFE C PTFE	B NBR E FKM F EPDM L MVQ
	G 1/4	N 1/4	SAE6	10S	8L	DN6						
	G 3/8	N 3/8	SAE8	12S	10L	DN10						
	G 1/2	N 1/2	SAE12	14S	12L	DN13						
	G 3/4	N 3/4	SAE16	16S	15L	DN20						
	G 1	N 1	SAE20R	20S	18L	DN25						
	G 1 1/4 R	N 1 1/4 R	SAE24R	25S	22L							
	G 1 1/2 R	N 1 1/2 R		30S	28L							
				38S	35L							
					42L							

STAINLESS STEEL

- Type: ball valve GE 2 way
- Body: block
- Material: 1,4404
- Ball seats: from DN4 up to DN25
- O-Rings: NBR, FKM, EPDM, MVQ
- Operating pressure: 500 Bar depending on valve size and seal materials selected
- Temp range: -30°C to +100°C different temperatures on request

GE2 G 1/2 DN13 4 4 4 4 A B

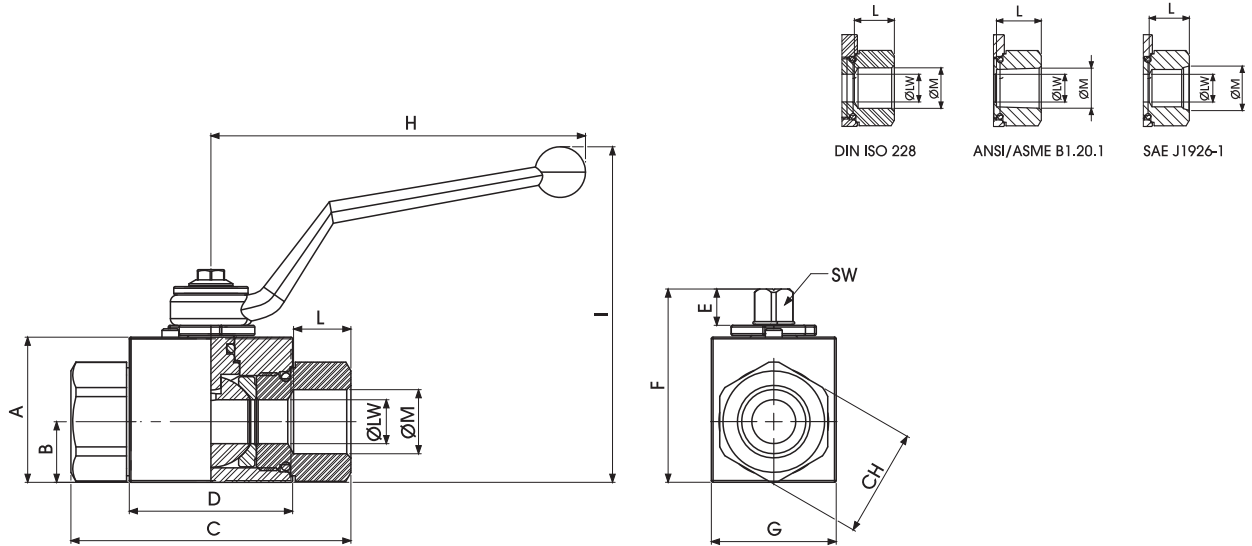
Type and way of valve	GAS DIN/ISO 228 BSP	NPT ANSI/ASME B1.20.1	SAE J1926-1	DIN 2353 HEAVY SERIES	DIN 2353 LIGHT SERIES	Nominal dimension	Body material	Adapter material	Stem material	Ball material	Ball seat material	Adapter and stem seal material
GE2 2-way	G 1/8	N 1/8	SAE4	8S	6L	DN4	4 1,4404	4 1,4404	4 1,4404	4 1,4404	A POM D PEEK G PA612 K GEMPTFE C PTFE	B NBR E FKM F EPDM L MVQ
	G 1/4	N 1/4	SAE6	10S	8L	DN6						
	G 3/8	N 3/8	SAE8	12S	10L	DN10						
	G 1/2	N 1/2	SAE12	14S	12L	DN13						
	G 3/4	N 3/4	SAE16	16S	15L	DN20						
	G 1	N 1	SAE20R	20S	18L	DN25						
	G 1 1/4 R	N 1 1/4 R	SAE24R	25S	22L							
	G 1 1/2 R	N 1 1/2 R		30S	28L							
				38S	35L							
					42L							





2-WAY HIGH PRESSURE BALL VALVES

Specialist in Ball Valves



GE2 DIN/ISO 228 BSP

Standard

																	CARBON STEEL	STAINLESS STEEL	
TYPE	PN	DN	A	B	C	D	E	F	G	H	I	L	ØM	CH	SW	ØLW	KG	ITEM CODE	ITEM CODE
GE2 G 1/8	50 MPa	4	35	14,5	71	42,4	11	49	30	110	91,5	11	G 1/8	24	9	4	0,512	GE2GGT05011A000	GE2GGT05044A000
GE2 G 1/4	50 MPa	6	35	14,5	71	42,4	11	49	30	110	91,5	15,5	G 1/4	24	9	6	0,497	GE2GGT15011A000	GE2GGT15044A000
GE2 G 3/8	50 MPa	10	40	17,4	73	44,4	11	54,25	35	110	96,5	15,5	G 3/8	30	9	10	0,652	GE2GGT25011A000	GE2GGT25044A000
GE2 G 1/2	50 MPa	13	43	18	83	48,4	11	57	37	110	99,5	17	G 1/2	32	9	13	0,77	GE2GGT35011A000	GE2GGT35044A000
GE2 G 3/4	40 MPa	20	57	23,4	95	62,5	14	73,5	49	180	106,5	21	G 3/4	41	14	20	1,46	GE2GGT44011A000	GE2GGT44044A000
GE2 G 1	35 MPa	25	65	29,5	112	66,5	14	83,5	55	180	116,5	24	G 1	50	14	25	2,23	GE2GGT53011A000	GE2GGT53044A000
GE2 G 1 1/4 R	35 MPa	25	65	29,5	120	66,5	14	83,5	55	180	116,5	24	G 1 1/4	55	14	25	2,299	GE2GGR63011A000	GE2GGR63044A000
GE2 G 1 1/2 R	35 MPa	25	65	29,5	124	66,5	14	83,5	55	180	116,5	24	G 1 1/2	60	14	25	2,413	GE2GGR73011A000	GE2GGR73044A000

GE2 ANSI/ASME B1.20.1 NPT

Standard

																	CARBON STEEL	STAINLESS STEEL	
TYPE	PN	DN	A	B	C	D	E	F	G	H	I	L	ØM	CH	SW	ØLW	KG	ITEM CODE	ITEM CODE
GE2 N 1/8	50 MPa	4	35	14,5	71	42,4	11	49	30	110	91,5	11	N 1/8	24	9	4	0,512	GE2NNT05011A000	GE2NNT05044A000
GE2 N 1/4	50 MPa	6	35	14,5	71	42,4	11	49	30	110	91,5	17	N 1/4	24	9	6	0,5	GE2NNT15011A000	GE2NNT15044A000
GE2 N 3/8	50 MPa	10	40	17,4	73	44,4	11	54,25	35	110	96,5	17	N 3/8	30	9	10	0,655	GE2NNT25011A000	GE2NNT25044A000
GE2 N 1/2	50 MPa	13	43	18	83	48,4	11	57	37	110	99,5	21	N 1/2	32	9	13	0,771	GE2NNT35011A000	GE2NNT35044A000
GE2 N 3/4	40 MPa	20	57	23,4	95	62,5	14	73,5	49	180	106,5	21	N 3/4	41	14	20	1,478	GE2NNT44011A000	GE2NNT44044A000
GE2 N 1	35 MPa	25	65	29,5	112	66,5	14	83,5	55	180	116,5	24	N 1	50	14	25	2,279	GE2NNT53011A000	GE2NNT53044A000
GE2 N 1 1/4 R	35 MPa	25	65	29,5	120	66,5	14	83,5	55	180	116,5	24	N 1 1/4	55	14	25	2,351	GE2NNR63011A000	GE2NNR63044A000
GE2 N 1 1/2 R	35 MPa	25	65	29,5	124	66,5	14	83,5	55	180	116,5	24	N 1 1/2	60	14	25	2,482	GE2NNR73011A000	GE2NNR73044A000

GE2 SAE J1926-1

Standard

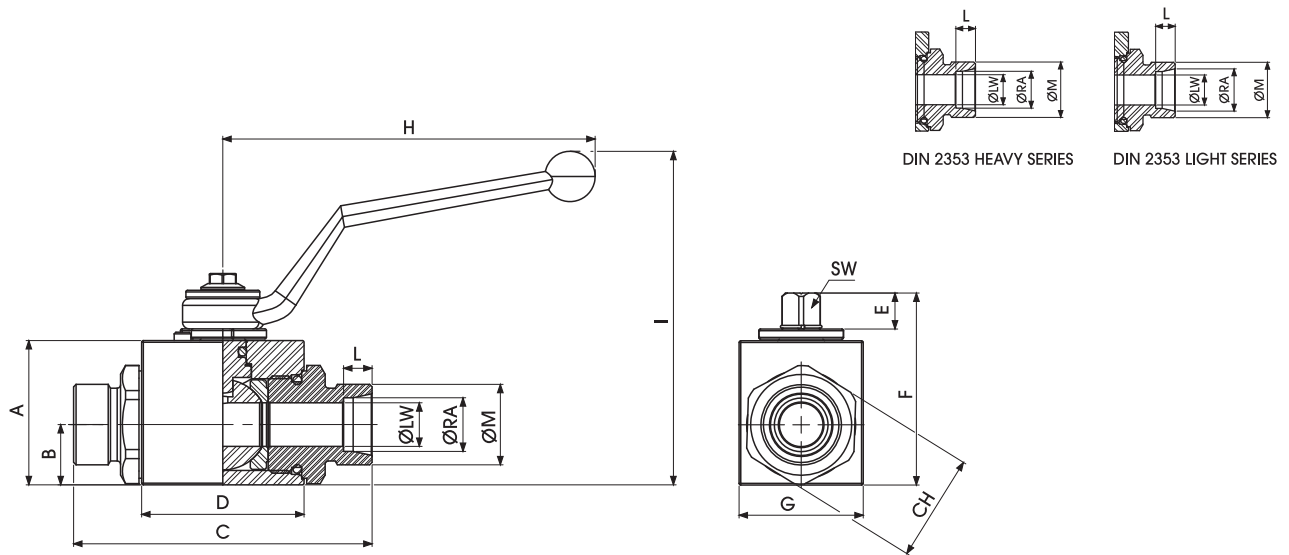
																	CARBON STEEL	STAINLESS STEEL	
TYPE	PN	DN	A	B	C	D	E	F	G	H	I	L	ØM	CH	SW	ØLW	KG	ITEM CODE	ITEM CODE
GE2 SAE4	50 MPa	6	35	14,5	71	42,4	11	49	30	110	91,5	15,5	7/16 UNF	24	9	6	0,504	GE2EEE05011A000	GE2EEE05044A000
GE2 SAE6	50 MPa	10	40	17,4	73	44,4	11	54,25	35	110	96,5	16	9/16 UNF	30	9	10	0,663	GE2EEE15011A000	GE2EEE15044A000
GE2 SAE8	50 MPa	13	43	18	83	48,4	11	57	37	110	99,5	17,5	3/4 UNF	32	9	13	0,779	GE2EEE25011A000	GE2EEE25044A000
GE2 SAE12	40 MPa	20	57	23,4	95	62,5	14	73,5	49	180	106,5	23	1 1/16 UNF	41	14	20	1,441	GE2EEE34011A000	GE2EEE34044A000
GE2 SAE16	35 MPa	25	65	29,5	112	66,5	14	83,5	55	180	116,5	23	1 5/16 UNF	50	14	25	2,335	GE2EEE43011A000	GE2EEE43044A000
GE2 SAE20R	35 MPa	25	65	29,5	120	66,5	14	83,5	55	180	116,5	23	1 5/8 UNF	55	14	25	2,307	GE2EEE53011A000	GE2EEE53044A000
GE2 SAE24R	35 MPa	25	65	29,5	124	66,5	14	83,5	55	180	116,5	23	1 7/8 UNF	60	14	25	2,399	GE2EEE63011A000	GE2EEE63044A000

"The company reserves the right to operate dimensional changes without prior notice".

+ GE2

2-WAY HIGH PRESSURE BALL VALVES

www.gemels.it



GE2 DIN 2353 HEAVY SERIES

Standard

																	CARBON STEEL	STAINLESS STEEL		
TYPE	PN	DN	A	B	C	D	E	F	G	H	I	L	ØM	CH	SW	ØLW	ØRA	KG	ITEM CODE	ITEM CODE
GE2 8S	50 MPa	6	35	14,5	76	42,4	11	49	30	110	91,5	7	M16x1,5	24	9	4	8	0,501	GE2DDS05011A000	GE2DDS05044A000
GE2 10S	50 MPa	6	35	14,5	76	42,4	11	49	30	110	91,5	7,5	M18x1,5	24	9	6	10	0,501	GE2DDS15011A000	GE2DDS15044A000
GE2 12S	50 MPa	8	35	14,5	76	42,4	11	49	30	110	91,5	7,5	M20x1,5	24	9	8	12	0,501	GE2DDRS5011A000	GE2DDRS5044A000
GE2 12S	50 MPa	10	40	17,4	76	44,4	11	54,25	35	110	96,5	7,5	M20x1,5	30	9	10	12	0,599	GE2DDS25011A000	GE2DDS25044A000
GE2 14S	50 MPa	10	40	17,4	82,5	44,4	11	54,25	35	110	96,5	8	M22x1,5	30	9	10	14	0,629	GE2DDS35011A000	GE2DDS35044A000
GE2 16S	50 MPa	13	43	18	89	48,4	11	57	37	110	99,5	8,5	M24x1,5	32	9	13	16	0,67	GE2DDS45011A000	GE2DDS45044A000
GE2 20S	50 MPa	13	43	18	93	48,4	11	57	37	110	99,5	10,5	M30x2	32	9	13	20	0,786	GE2DDS55011A000	GE2DDS55044A000
GE2 25S	40 MPa	20	57	23,4	111	62,5	14	73,5	49	180	106,5	12	M36x2	41	14	20	25	1,485	GE2DDS64011A000	GE2DDS64044A000
GE2 30S	35 MPa	25	65	29,5	121	66,5	14	83,5	55	180	116,5	13	M42x2	50	14	25	30	2,145	GE2DDS73011A000	GE2DDS73044A000
GE2 38S	35 MPa	25	65	29,5	131	66,5	14	83,5	55	180	116,5	16	M52x2	55	14	25	38	2,373	GE2DDS83011A000	GE2DDS83044A000

GE2 DIN 2353 LIGHT SERIES

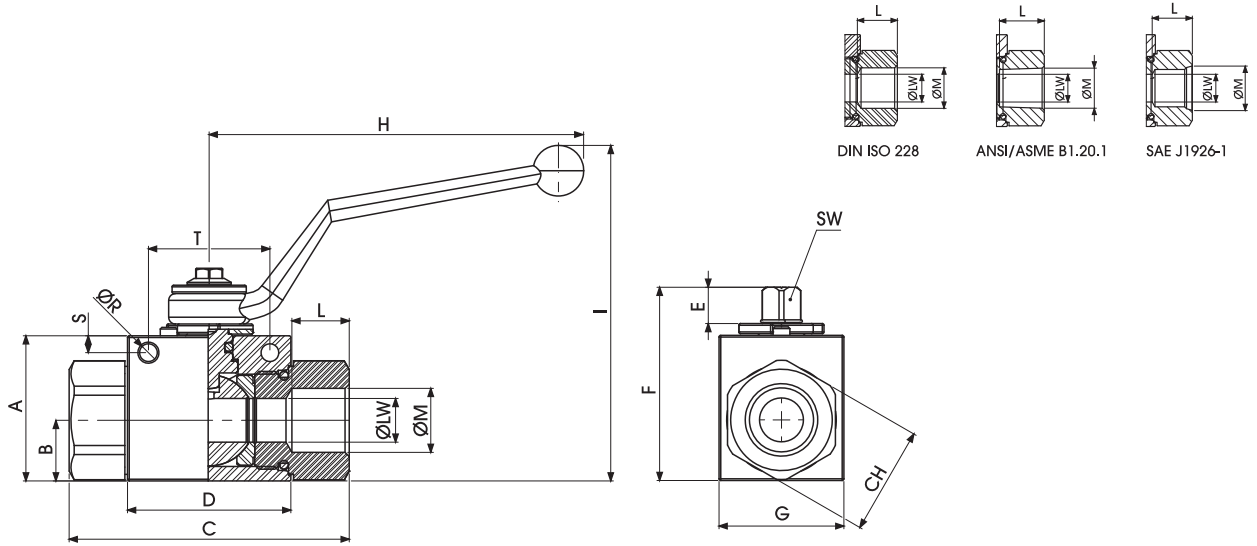
Standard

																	CARBON STEEL	STAINLESS STEEL		
TYPE	PN	DN	A	B	C	D	E	F	G	H	I	L	ØM	CH	SW	ØLW	ØRA	KG	ITEM CODE	ITEM CODE
GE2 6L	50 MPa	6	35	14,5	76	42,4	11	49	30	110	91,5	7	M12x1,5	24	9	6	6	0,475	GE2DDL05011A000	GE2DDL05044A000
GE2 8L	50 MPa	6	35	14,5	76	42,4	11	49	30	110	91,5	7	M14x1,5	24	9	6	8	0,477	GE2DDL15011A000	GE2DDL15044A000
GE2 10L	50 MPa	6	35	14,5	76	42,4	11	49	30	110	91,5	7	M16x1,5	24	9	6	10	0,475	GE2DDR15011A000	GE2DDR15044A000
GE2 10L	50 MPa	10	40	17,4	76,5	44,4	11	54,25	35	110	96,5	7	M16x1,5	30	9	10	10	0,597	GE2DDL25011A000	GE2DDL25044A000
GE2 12L	50 MPa	10	40	17,4	79,5	44,4	11	54,25	35	110	96,5	7	M18x1,5	30	9	10	12	0,616	GE2DDL35011A000	GE2DDL35044A000
GE2 15L	50 MPa	13	43	18	87	48,4	11	57	37	110	99,5	7	M22x1,5	32	9	13	15	0,731	GE2DDL45011A000	GE2DDL45044A000
GE2 18L	50 MPa	13	43	18	87	48,4	11	57	37	110	99,5	7,5	M26x1,5	32	9	13	18	0,748	GE2DDL55011A000	GE2DDL55044A000
GE2 22L	40 MPa	20	57	23,4	110	62,5	14	73,5	49	180	106,5	7,5	M30x2	41	14	20	22	1,463	GE2DDL64011A000	GE2DDL64044A000
GE2 28L	35 MPa	25	65	29,5	117	66,5	14	83,5	55	180	116,5	7,5	M36x2	50	14	25	28	2,131	GE2DDL73011A000	GE2DDL73044A000
GE2 35L	35 MPa	25	65	29,5	119	66,5	14	83,5	55	180	116,5	10,5	M45x2	50	14	25	35	2,163	GE2DDL83011A000	GE2DDL83044A000
GE2 42L	35 MPa	25	65	29,5	119	66,5	14	83,5	55	180	116,5	11	M52x2	55	14	25	42	2,256	GE2DDL93011A000	GE2DDL93044A000



2-WAY HIGH PRESSURE BALL VALVES

Specialist in Ball Valves



GE2 DIN/ISO 228 BSP

Fixing holes

																			CARBON STEEL	STAINLESS STEEL		
TYPE	PN	DN	A	B	C	D	E	F	G	H	I	L	ØM	CH	ØR	S	T	SW	ØLW	KG	ITEM CODE	ITEM CODE
GE2 G 1/8	50 MPa	4	35	14,5	71	42,4	11	49	30	110	91,5	11	G 1/8	24	5,25	4,5	34	9	4	0,505	GE2GGT05011AF10	GE2GGT05044AF10
GE2 G 1/4	50 MPa	6	35	14,5	71	42,4	11	49	30	110	91,5	15,5	G 1/4	24	5,25	4,5	34	9	6	0,49	GE2GGT15011AF10	GE2GGT15044AF10
GE2 G 3/8	50 MPa	10	40	17,4	73	44,4	11	54,25	35	110	96,5	15,5	G 3/8	30	5,25	4,5	34	9	10	0,644	GE2GGT25011AF10	GE2GGT25044AF10
GE2 G 1/2	50 MPa	13	43	18	83	48,4	11	57	37	110	99,5	17	G 1/2	32	5,25	5	36	9	13	0,757	GE2GGT35011AF10	GE2GGT35044AF10
GE2 G 3/4	40 MPa	20	57	23,4	95	62,5	14	73,5	49	180	106,5	21	G 3/4	41	6,25	6	50	14	20	1,438	GE2GGT44011AF10	GE2GGT44044AF10
GE2 G 1	35 MPa	25	65	29,5	112	66,5	14	83,5	55	180	116,5	24	G 1	50	6,25	6	50	14	25	2,223	GE2GGT53011AF10	GE2GGT53044AF10
GE2 G 1 1/4 R	35 MPa	25	65	29,5	120	66,5	14	83,5	55	180	116,5	24	G 1 1/4	55	6,25	6	50	14	25	2,273	GE2GGR63011AF10	GE2GGR63044AF10
GE2 G 1 1/2 R	35 MPa	25	65	29,5	124	66,5	14	83,5	55	180	116,5	24	G 1 1/2	60	6,25	6	50	14	25	2,386	GE2GGR73011AF10	GE2GGR73044AF10

GE2 ANSI/ASME B1.20.1 NPT

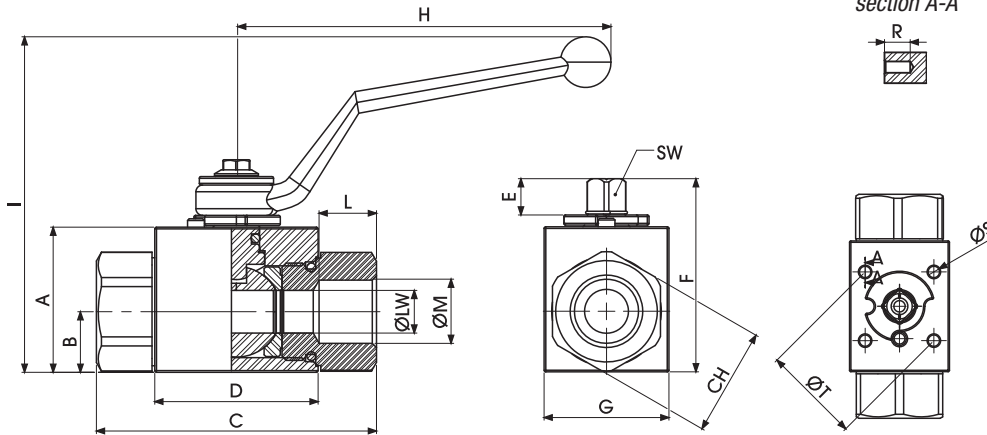
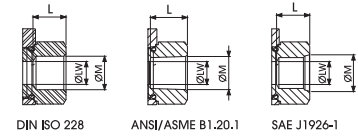
Fixing holes

																			CARBON STEEL	STAINLESS STEEL		
TYPE	PN	DN	A	B	C	D	E	F	G	H	I	L	ØM	CH	ØR	S	T	SW	ØLW	KG	ITEM CODE	ITEM CODE
GE2 N 1/8	50 MPa	4	35	14,5	71	42,4	11	49	30	110	91,5	11	N 1/8	24	5,25	4,5	34	9	4	0,505	GE2NNT05011AF10	GE2NNT05044AF10
GE2 N 1/4	50 MPa	6	35	14,5	71	42,4	11	49	30	110	91,5	17	N 1/4	24	5,25	4,5	34	9	6	0,49	GE2NNT15011AF10	GE2NNT15044AF10
GE2 N 3/8	50 MPa	10	40	17,4	73	44,4	11	54,25	35	110	96,5	17	N 3/8	30	5,25	4,5	34	9	10	0,644	GE2NNT25011AF10	GE2NNT25044AF10
GE2 N 1/2	50 MPa	13	43	18	83	48,4	11	57	37	110	99,5	21	N 1/2	32	5,25	5	36	9	13	0,757	GE2NNT35011AF10	GE2NNT35044AF10
GE2 N 3/4	40 MPa	20	57	23,4	95	62,5	14	73,5	49	180	106,5	21	N 3/4	41	6,25	6	50	14	20	1,438	GE2NNT44011AF10	GE2NNT44044AF10
GE2 N 1	35 MPa	25	65	29,5	112	66,5	14	83,5	55	180	116,5	24	N 1	50	6,25	6	50	14	25	2,223	GE2NNT53011AF10	GE2NNT53044AF10
GE2 N 1 1/4 R	35 MPa	25	65	29,5	120	66,5	14	83,5	55	180	116,5	24	N 1 1/4	55	6,25	6	50	14	25	2,273	GE2NNR63011AF10	GE2NNR63044AF10
GE2 N 1 1/2 R	35 MPa	25	65	29,5	124	66,5	14	83,5	55	180	116,5	24	N 1 1/2	60	6,25	6	50	14	25	2,386	GE2NNR73011AF10	GE2NNR73044AF10

+ GE2

2-WAY HIGH PRESSURE BALL VALVES

www.gemels.it



GE2 DIN/ISO 228 BSP

Fixing holes DIN/ISO5211

																				CARBON STEEL	STAINLESS STEEL		
TYPE	PN	DN	A	B	C	D	E	F	G	H	I	L	ØM	CH	R	ØS	ØT	ISO5211	SW	LW	KG	ITEM CODE	ITEM CODE
GE2 G 1/8	50 MPa	4	35	14,5	71	42,4	11	49	30	110	91,5	11	G 1/8	24	9	M4	35	F03	9	4	0,505	GE2GGT05011AF50	GE2GGT05044AF50
GE2 G 1/4	50 MPa	6	35	14,5	71	42,4	11	49	30	110	91,5	15,5	G 1/4	24	9	M4	35	F03	9	6	0,49	GE2GGT15011AF50	GE2GGT15044AF50
GE2 G 3/8	50 MPa	10	40	17,4	73	44,4	11	54,25	35	110	96,5	15,5	G 3/8	30	9	M5	36	F03	9	10	0,644	GE2GGT25011AF50	GE2GGT25044AF50
GE2 G 1/2	50 MPa	13	43	18	83	48,4	11	57	37	110	99,5	17	G 1/2	32	9	M5	36	F03	9	13	0,757	GE2GGT35011AF50	GE2GGT35044AF50
GE2 G 3/4	40 MPa	20	57	23,4	95	62,5	14	73,5	49	180	106,5	21	G 3/4	41	15	M6	50	F05	14	20	1,438	GE2GGT44011AF50	GE2GGT44044AF50
GE2 G 1	35 MPa	25	65	29,5	112	66,5	14	83,5	55	180	116,5	24	G 1	50	15	M6	50	F05	14	25	2,223	GE2GGT53011AF50	GE2GGT53044AF50
GE2 G 1 1/4 R	35 MPa	25	65	29,5	120	66,5	14	83,5	55	180	116,5	24	G 1 1/4	55	15	M6	50	F05	14	25	2,273	GE2GGR63011AF50	GE2GGR63044AF50
GE2 G 1 1/2 R	35 MPa	25	65	29,5	124	66,5	14	83,5	55	180	116,5	24	G 1 1/2	60	15	M6	50	F05	14	25	2,386	GE2GGR73011AF50	GE2GGR73044AF50

GE2 ANSI/ASME B1.20.1 NPT

Fixing holes DIN/ISO5211

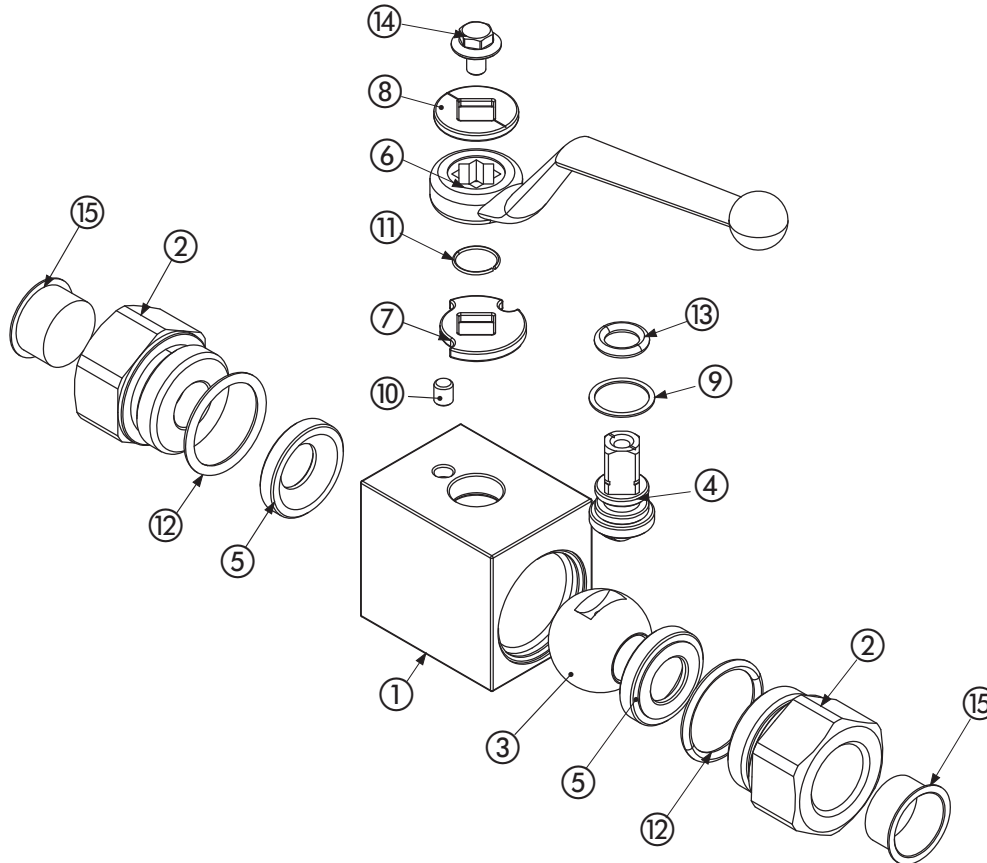
																				CARBON STEEL	STAINLESS STEEL		
TYPE	PN	DN	A	B	C	D	E	F	G	H	I	L	ØM	CH	R	ØS	ØT	ISO5211	SW	LW	KG	ITEM CODE	ITEM CODE
GE2 N 1/8	50 MPa	4	35	14,5	71	42,4	11	49	30	110	91,5	11	N 1/8	24	9	M4	35	F03	9	4	0,505	GE2NNT05011AF50	GE2NNT05044AF50
GE2 N 1/4	50 MPa	6	35	14,5	71	42,4	11	49	30	110	91,5	17	N 1/4	24	9	M4	35	F03	9	6	0,49	GE2NNT15011AF50	GE2NNT15044AF50
GE2 N 3/8	50 MPa	10	40	17,4	73	44,4	11	54,25	35	110	96,5	17	N 3/8	30	9	M5	36	F03	9	10	0,644	GE2NNT25011AF50	GE2NNT25044AF50
GE2 N 1/2	50 MPa	13	43	18	83	48,4	11	57	37	110	99,5	21	N 1/2	32	9	M5	36	F03	9	13	0,757	GE2NNT35011AF50	GE2NNT35044AF50
GE2 N 3/4	40 MPa	20	57	23,4	95	62,5	14	73,5	49	180	106,5	21	N 3/4	41	15	M6	50	F05	14	20	1,438	GE2NNT44011AF50	GE2NNT44044AF50
GE2 N 1	35 MPa	25	65	29,5	112	66,5	14	83,5	55	180	116,5	24	N 1	50	15	M6	50	F05	14	25	2,223	GE2NNT53011AF50	GE2NNT53044AF50
GE2 N 1 1/4 R	35 MPa	25	65	29,5	120	66,5	14	83,5	55	180	116,5	24	N 1 1/4	55	15	M6	50	F05	14	25	2,273	GE2NNR63011AF50	GE2NNR63044AF50
GE2 N 1 1/2 R	35 MPa	25	65	29,5	124	66,5	14	83,5	55	180	116,5	24	N 1 1/2	60	15	M6	50	F05	14	25	2,386	GE2NNR73011AF50	GE2NNR73044AF50

+ GE2

2-WAY HIGH PRESSURE BALL VALVES

www.gemels.it

2017 - Edition 2



Carbon steel

Pos	Description	Material	Q.tà
1	Body	1,0737	1
2	Adapter	1,0737	2
3	Ball	1,0737	1
4	Stem	1,0737	1
5	Ball seat	POM	2
6	Handle	ZINC	1
7	Washer	1,0116	1
8	Washer	1,0116	1
9	Stem ring	POM	1
10	Spine	1,0737	1
11	Seeger	1,4301	1
12	Adapter o-ring	NBR	2
13	Stem o-ring	NBR	1
14	Screw	Din 6921 8.8	1
15	Caps	PVC	2

On request

- Reduced bore
- O-Ring in FKM, EPDM, HNBR, KALREZ
- Seals in PTFE, PEEK, PA612, GEMPTFE, METAL TO METAL
- Special threads
- Stem in stainless steel 1,4404
- Ball in stainless steel 1,4404
- Pressure class up to PN50 MPa
- Pneumatic and electrical actuator
- Security block
- Locking device

Stainless steel

Pos	Description	Material	Q.tà
1	Body	1,4404	1
2	Adapter	1,4404	2
3	Ball	1,4404	1
4	Stem	1,4404	1
5	Ball seat	POM	2
6	Handle	ZINC	1
7	Washer	1,4301	1
8	Washer	1,4301	1
9	Stem ring	POM	1
10	Spine	1,4301	1
11	Seeger	1,4301	1
12	Adapter o-ring	NBR	2
13	Stem o-ring	NBR	1
14	Screw	Din 6921 A2	1
15	Caps	PVC	2

On request

- Reduced bore
- O-Ring in FKM, EPDM, HNBR, KALREZ
- Seals in PTFE, PEEK, PA612, GEMPTFE, METAL TO METAL
- Special threads
- Pressure class up to PN50 MPa
- Pneumatic and electrical actuator
- Security block
- Locking device

For further special requests please consult our technical/commercial service