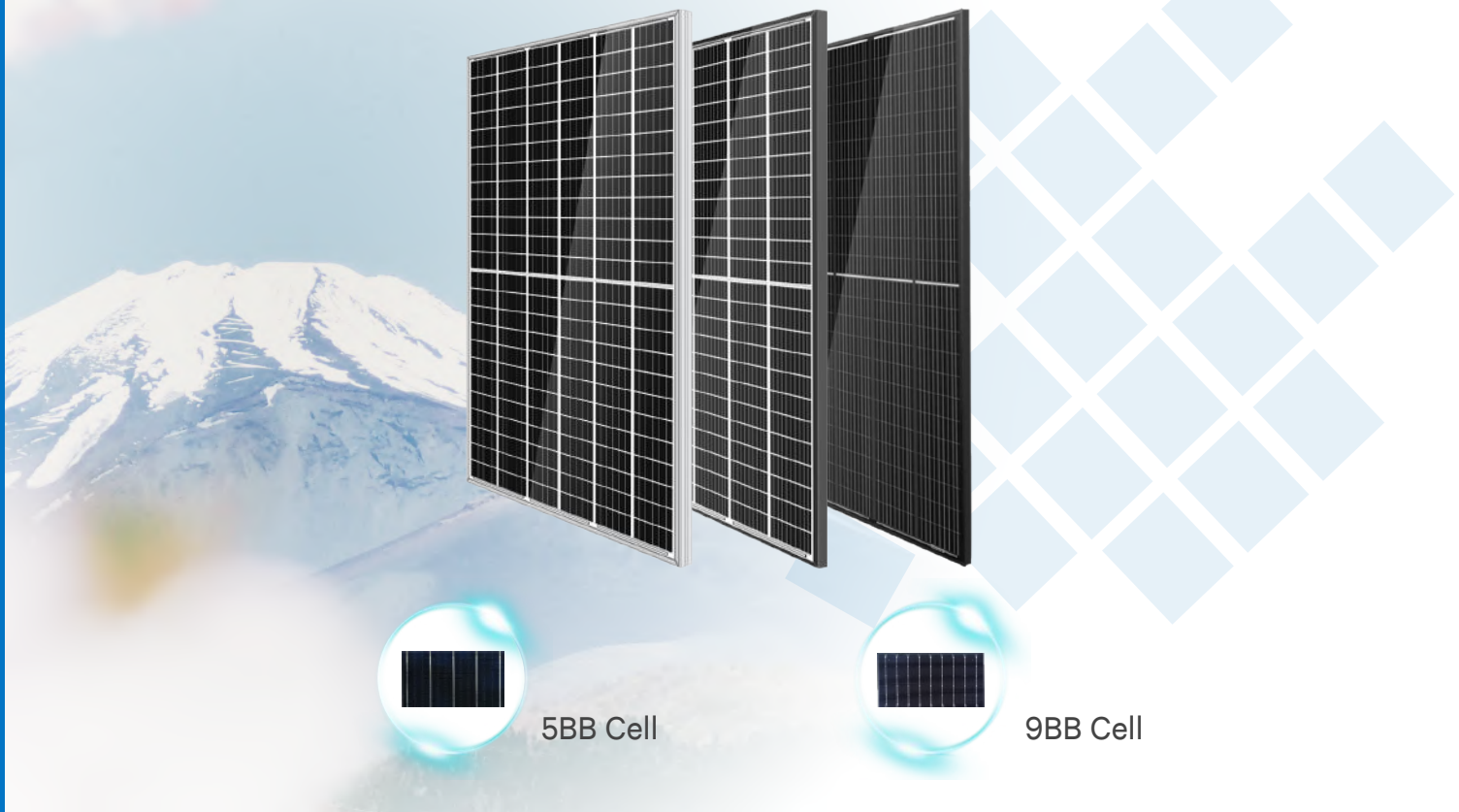


LP158*158-M-72-H/MH

Rated Power 390-420W



5BB/9BB Cell
More uniform current collection capability, reducing the current heat loss of the internal cells.



Low Light Features
Higher performance under low light environment.



Higher Output Power
The output power of 144 half-cells Monocrystalline modules is up to 420W.



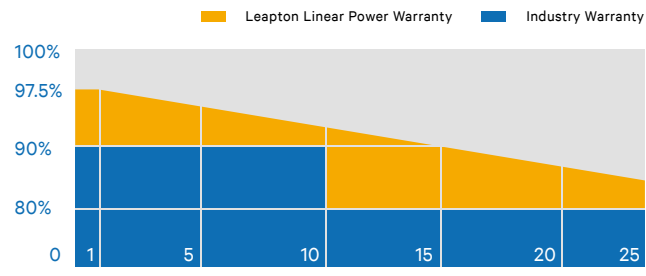
PID Protection
Ensure the attenuation probability caused by PID phenomenon is minimized.



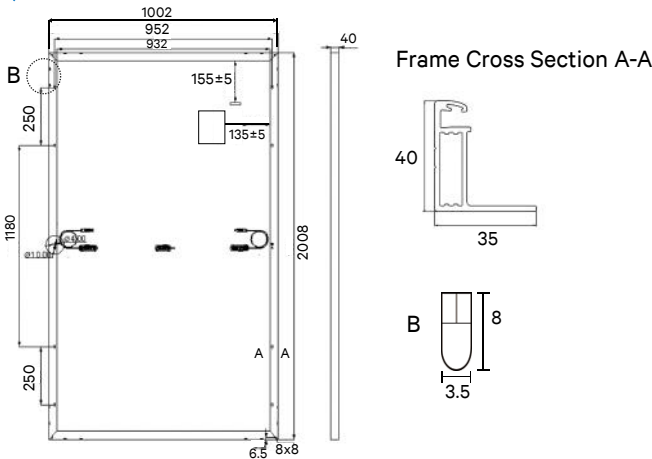
Harsh Environmental Adaptability
Strict salt spray and ammonia corrosion test by TUV Nord.



Load Capacity
Mechanical load tests including wind load 2400 Pa and snow load 5400 Pa done by TUV Nord.



MECHANICAL DIAGRAMS



SPECIFICATIONS

Weight	22.5kg
Dimensions	2008mm*1002mm*40mm
Cell Amount	72*2 pcs
Maximum System Voltage	1000/1500V
Junction Box	IP68
Frame	Aluminum Alloy
Cable	4mm ² , Landscape: N 1300mm/P 1300mm Portrait: N 150mm/P 300mm
Connector	MC4 compatible
Application Level	Class A

ELECTRICAL PARAMETERS AT STC

Power	390W	395W	400W	405W	410W	415W	420W
Open Circuit Voltage	49.30V	49.50V	49.70V	49.80V	50.00V	50.20V	50.40V
Short Circuit Current	10.12A	10.21A	10.30A	10.21A	10.25A	10.29A	10.33A
Maximum Power Voltage	41.00V	41.25V	41.50V	42.30V	42.60V	42.90V	43.20V
Maximum Power Current	9.51A	9.58A	9.64A	9.58A	9.63A	9.67A	9.72A
Module Efficiency	19.0%	19.3%	19.6%	20.1%	20.4%	20.6%	20.9%

* Under Standard Test Conditions (STC) of irradiance of 1000 W/m², spectrum AM 1.5 and cell temperature of 25°C.

ELECTRICAL PARAMETERS AT NMOT

Power	294W	298W	302W	305W	309W	312W	316W
Open Circuit Voltage	48.00V	48.20V	48.40V	47.50V	47.70V	47.90V	48.10V
Short Circuit Current	8.03A	8.10A	8.18A	8.23A	8.27A	8.31A	8.35A
Maximum Power Voltage	39.95V	39.20V	39.20V	39.90V	40.20V	40.50V	40.80V
Maximum Power Current	7.55A	7.60A	7.60A	7.65A	7.69A	7.73A	7.77A
Module Efficiency	14.6%	14.8%	15.0%	15.2%	15.4%	15.5%	15.7%

* Under Nominal Module Operating Temperature (NMOT), irradiance of 800 W/m², spectrum AM 1.5, ambient temperature 20°C, wind speed 1 m/s.

TEMPERATURE CHARACTERISTICS

NMOT	41±3°C	Temp Coefficient of ISC	+0.05%/°C
Temp Coefficient of VOC	-0.28%/°C	Temp Coefficient of Pmax	-0.36%/°C

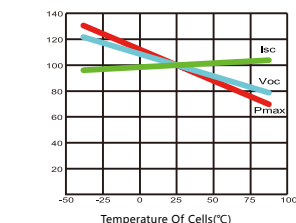
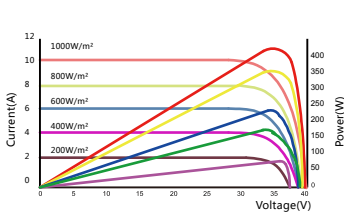
PACKING CONFIGURATION

Modules/Pallet	26 Pieces	Modules/40'Container	616 Pieces/ 572 Pieces
Packing Description	22 Pallets, Total=(26+26+4)x11=616 Or 22 Pallets, Total=26x22=572		

CHARACTERISTICS

LP158*158-M-72-H/MH-390W

LP158*158-M-72-H/MH-390W



MAXIMUM RATING

Output Tolerance	0~+5W
Operating Temperature	-40°C~+85°C
Wind Load/Snow Load	2400pa/5400pa
Fuse Current	15A

