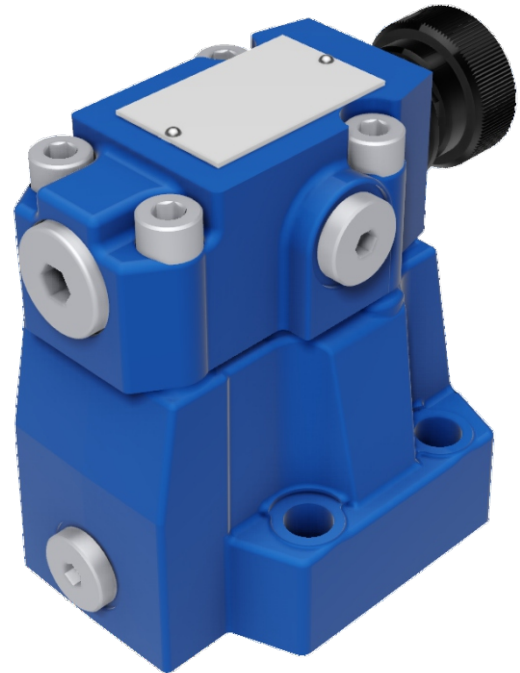




DR ARE PILOT OPERATED PRESSURE REDUCING VALVES, WHICH CAN BE USED TO REDUCE AND MAINTAIN PRESSURE IN A CERTAIN CIRCUIT.

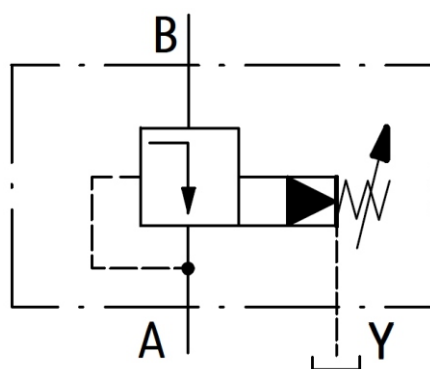
THIS SERIES HAVE MORE SMOOTHLY ADJUSTABLE PERFORMANCE, IT NOT ONLY REACHES THE OUTPUT PRESSURE AT LOW LEVEL UNDER HIGH FLOW RATE, BUT ALSO WITH THE CHARACTERISTICS OF HIGH FLOW AND WIDELY PRESSURE ADJUSTABLE RANGES.



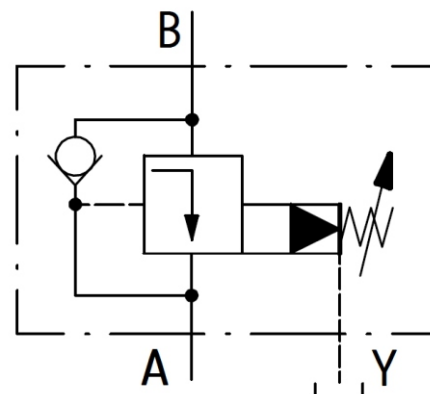
TECHNICAL DATA

SIZE	10		20		30	
SERIES	30	50	30	50	30	50
MAX. FLOW RATE (L/MIN)	80	150	200	300	300	400
OPERATING PRESSURE (MPA)	31.5					
FLUID TEMPERATURE (°C)	-20 - 70					
FILTRATION ACCURACY (µM)	25					
VALVE BODY (MATERIAL)	CASTING PHOSPHATING SURFACE					

SCHEMES



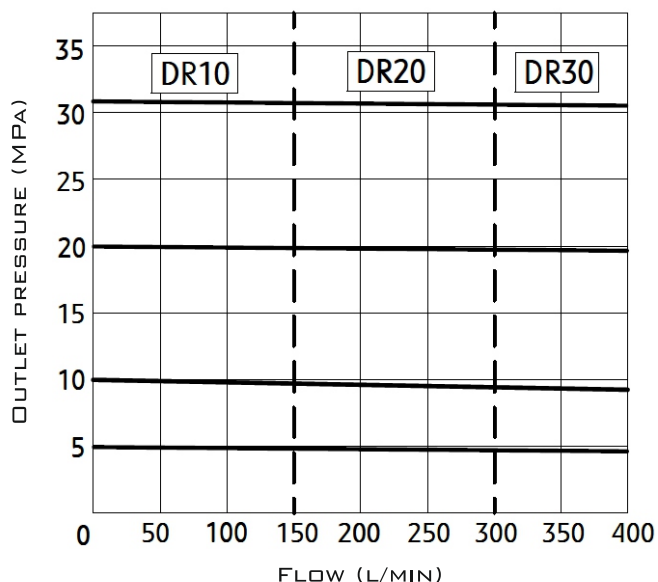
DR...M



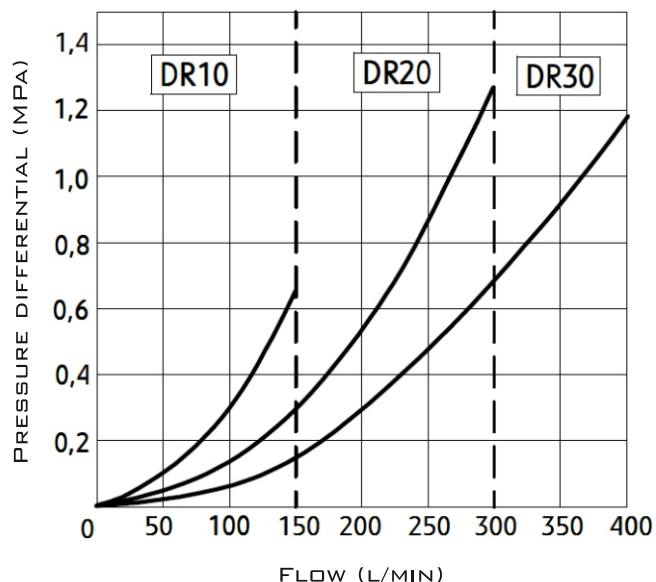
DR

**CHARACTERISTIC CURVES**

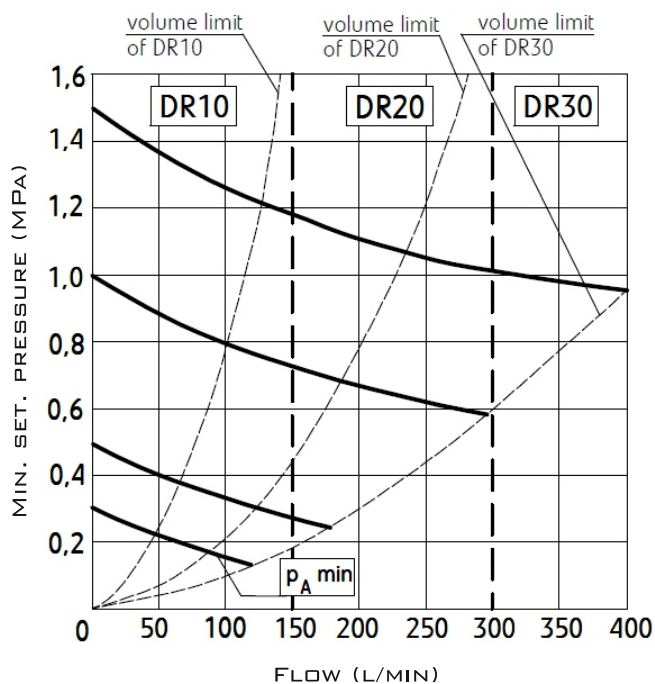
**OUTLET PRESSURE**



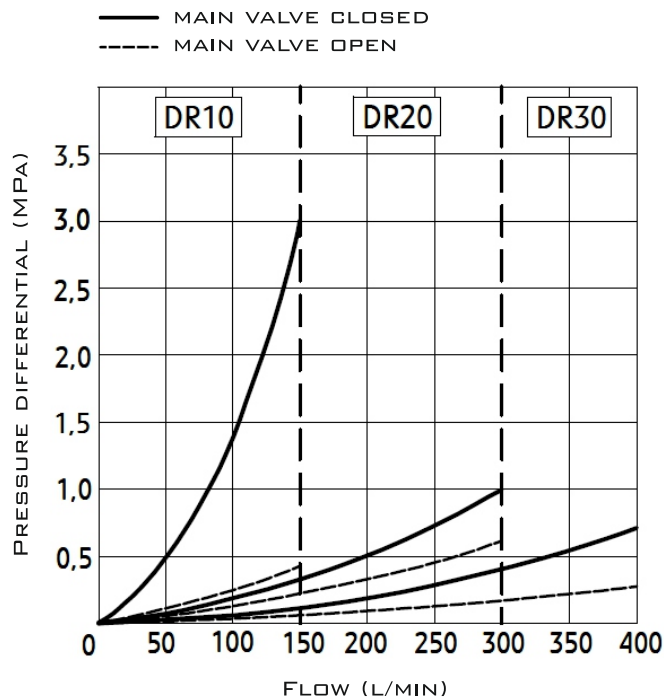
**MINIMUM SETTABLE PRESSURE DIFFERENTIAL**



**MINIMUM SETTABLE PRESSURE AT MINIMAL REDUCED OUTLET PRESSURE**



**PRESSURE RESISTANCE ACROSS THE CHECK VALVE**



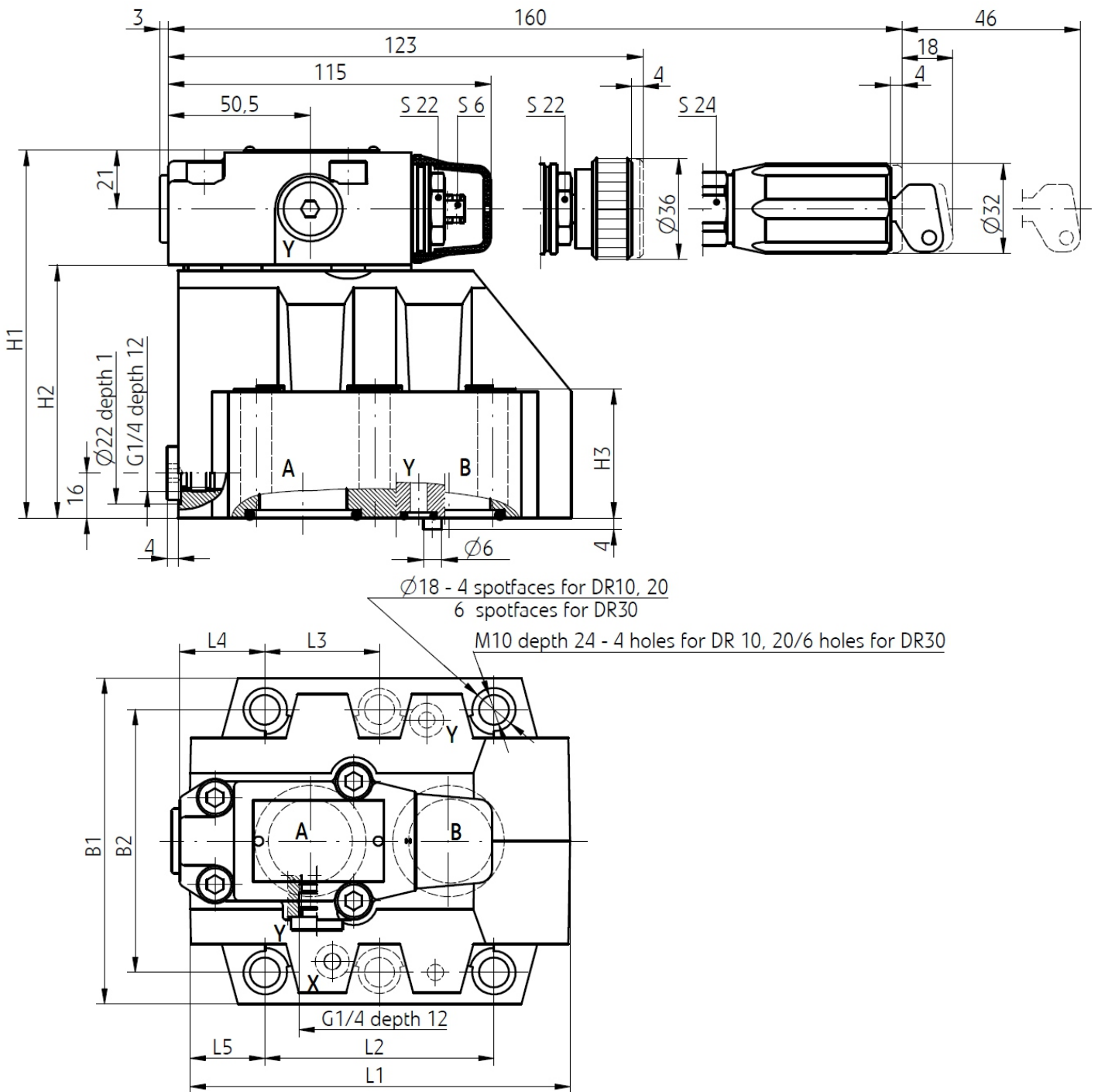
**SUBPLATE INSTALLATION DIMENSIONS**

DR10..., DR20..., DR30...

...5

...4

...6



MODEL	B1	B2	H1	H2	H3	L1	L2	L3	L4	L5
DR10	85	66,7	113	72	28	96	42,9	-	34,6	35,6
DR20	102	79,4	123	82	38	112	60,3	-	36,9	33,5
DR30	120	96,8	131	90	46	140	84,2	42,1	31,3	28

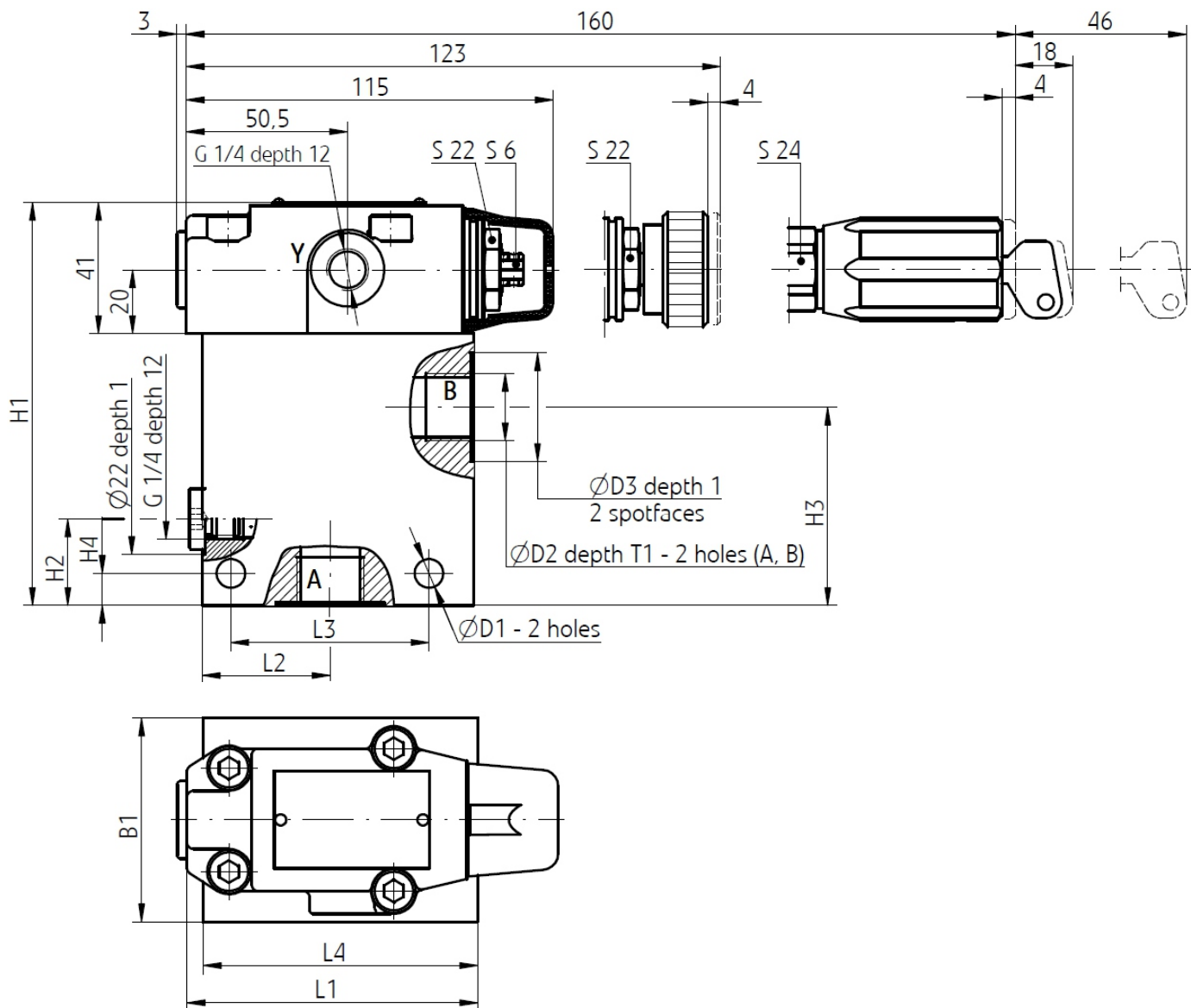
THREAD INSTALLATION DIMENSIONS

DR10..., DR20..., DR30...

...5

...4

...6

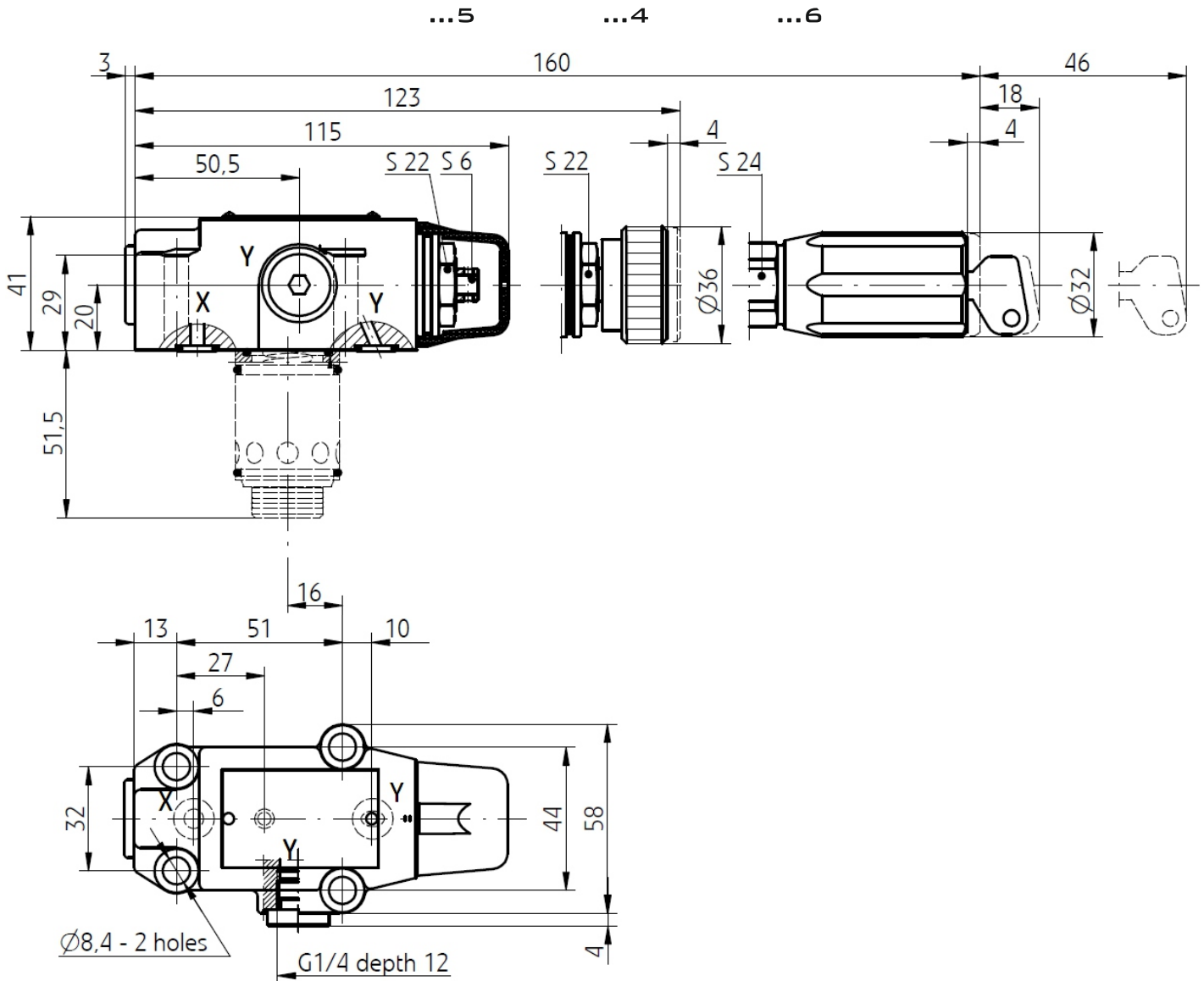


MODEL	B1	ØD1	ØD2	ØD3	T1	H1	H2	H3	H4	L1	L2	L3	L4
DR10	63	9	G 1/2"	34	14	126	27	47	10	90	40	62	85
DR20	63	9	G 1"	47	18	126	27	47	10	90	40	62	85
DR30	70	11	G 1 1/2"	61	22	139	42	51	13	99	46	72	100

PILOT VALVE ONLY

PILOT VALVE WITHOUT THE MAIN SPOOL - DRC...

PILOT VALVE WITH THE MAIN SPOOL - DRC30...



**DR**

**VALVOLE DI PRESSIONE**



PILOT OPERATED PRESSURE  
REDUCING VALVES

**ORDER CODE**

DR						50				
----	--	--	--	--	--	----	--	--	--	--

NO CODE=PILOT  
OPERATED VALVE  
C=PILOT OPERATED  
WITHOUT MAIN  
CARTRIDGE  
(NOT MARKED SIZE)  
C=PILOT OPERATED  
WITH MAIN CARTRIDGE  
(MARKED SIZE)

10=10 SIZE  
20=20 SIZE  
30=30 SIZE

NO CODE=SUBPLATE  
MOUNTING  
G=THREAD CONNECTION

4=HANDLE  
5=ADJUSTING BOLT WITH  
PROTECT COVER  
6=LOCKING WITH HANDLE  
7=HANDLE WITH SCALE

NO CODE=NBR SEALS  
V=FKM SEALS

PILOT OPERATED DRAINAGE  
PORT THREAD:  
NO CODE=G1/4  
2=M14X1.5

NO CODE=CHECK VALVE  
M=WITHOUT CHECK VALVE

50=MAX. PRESSURE 5 MPA  
100=MAX. PRESSURE 10 MPA  
200=MAX. PRESSURE 20 MPA  
315=MAX. PRESSURE 31.5 MPA

30=30 SERIES  
50=50 SERIES