

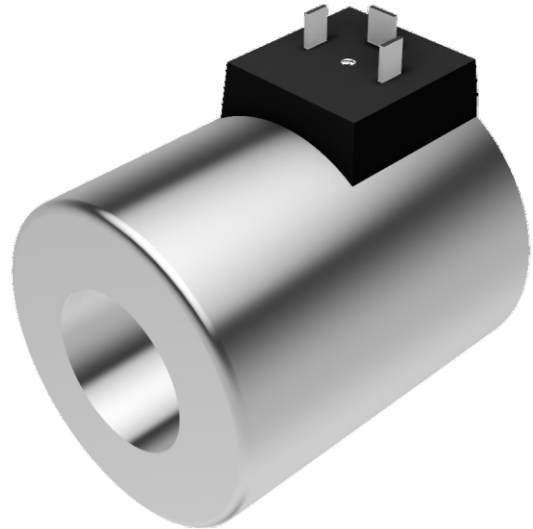


BOBINE

COILS 63

Ø31,6 MM

THESE COILS ARE USED TO CONTROL SOLENOID VALVES IN HYDRAULIC SYSTEMS FOR DIRECTING, LOCKING OR OPENING FLOW OF WORKING FLUID (MINERAL OIL). FOR EXAMPLE, USED WITH SOLENOID DIRECTIONAL VALVES TYPE WE 10.



TECHNICAL DATA

MODEL	C63-31
A – INNER DIAMETER Ø (MM)	31,6
POWER (W)	45
VOLTAGE (V)	12, 24 DC; 110, 220 AC
HEAT INSULATION (°C)	180
AMBIENT TEMPERATURE RANGE (°C)	-30 – +60
INLET VOLTAGE FLUCTUATIONS	±10% OF NOMINAL VOLTAGE
PROTECTION DEGREE	IP65
CONNECTOR	DIN 43650
WEIGHT (KG)	1,5

- MAXIMUM POWER FOR MINIMUM SPACE REQUIREMENT: COIL IS LAYER-WOUND WHICH ENSURES MAXIMUM COPPER FILL FOR MINIMUM SPACE REQUIREMENT. THIS PREVENTS DAMAGE TO THE WIRE INSULATION;
- FULLY ENCAPSULATED COIL: INTERNAL COIL SEAL PREVENTS MOISTURE FROM PENETRATING AND THEREFORE PREVENTS SHORT CIRCUITS IN THE WINDING;
- DESIGNED FOR 100% DUTY CYCLE: AT I_{MAX} AND AMBIENT TEMPERATURES OF -20° TO $+60^{\circ}$ C;
- LOW ENERGY CONSUMPTION: OPTIMUM POWER/ENERGY RATIO;
- HIGH MECHANICAL RESISTANCE: ZINC-PLATED STEEL CASING;
- HIGH THERMAL LOAD CAPACITY: INSULATION MATERIAL CLASS H (180°C, VDE 0580).

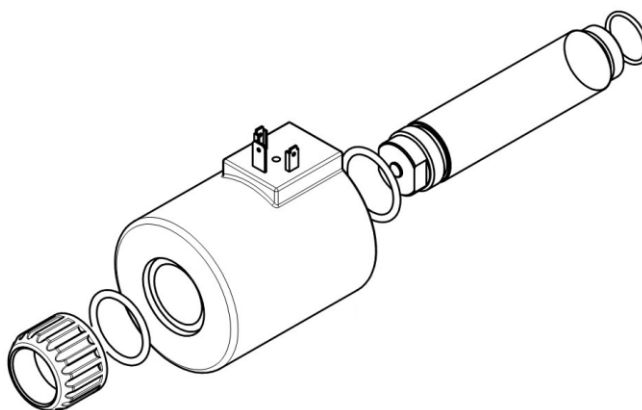
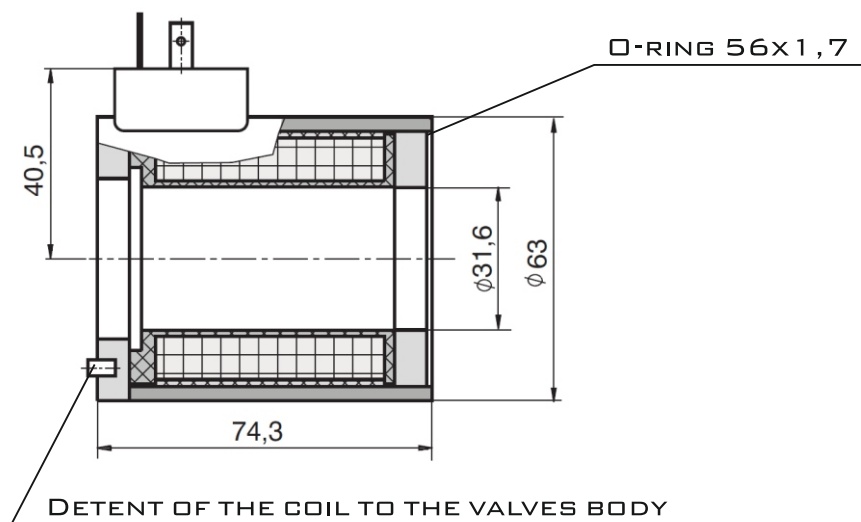
COILS 63

BOBINE



∅31,6 MM

INSTALLATION DIMENSIONS



ATTENTION!

BECAUSE OF THE DANGER OF OVERHEATING, THE COIL MUST ONLY BE OPERATED WHEN IT IS PROPERLY FITTED ON A VALVE. TO PREVENT THE INGRESS OF WATER, BOTH ENDS OF THE COIL ON THE CORE TUBE MUST BE PROPERLY SEALED WITH O-RINGS.

ORDER CODE

C63	31
-----	----