



YLI ELECTRONIC



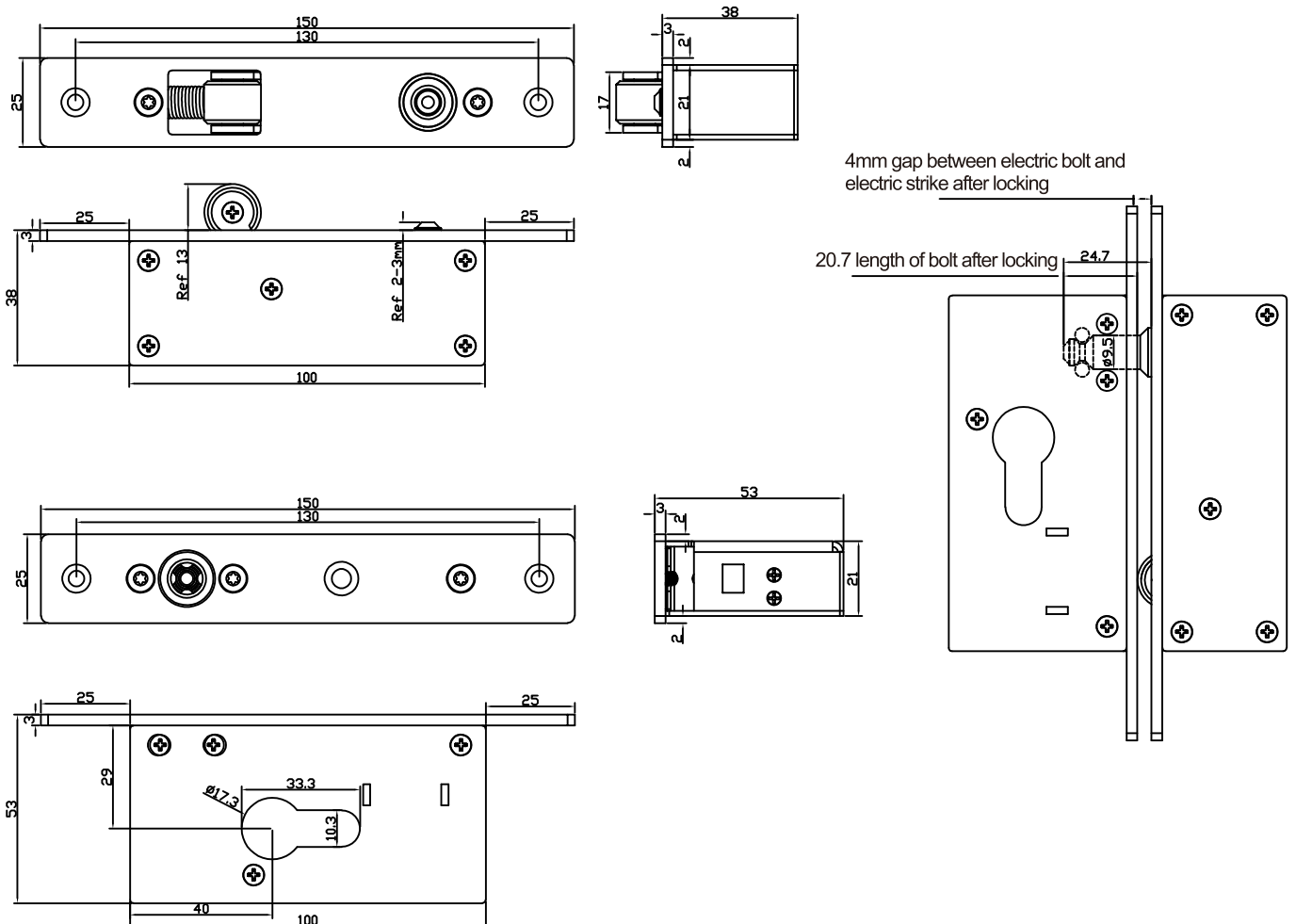
Dedicated Electric Lock For Sliding Door

Model: YSD-220

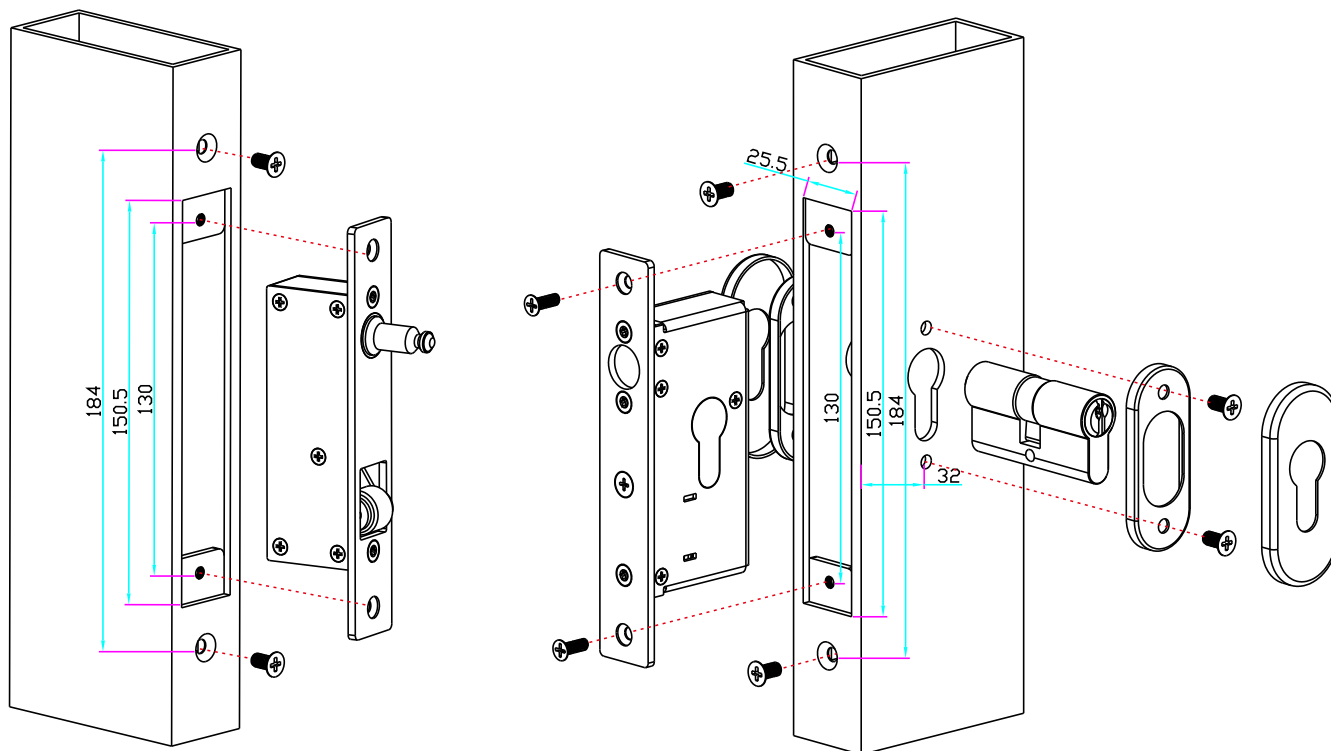
Parameters

Electric Bolt	150Lx25Wx38H(mm)
Electric Strike	150Lx25Wx53H(mm)
Voltage	DC 12V / DC 24V
Current	12V/850mA; 24V/1700mA
Signal Output	Lock signal(NO/NC/COM)
Feature	Fail Secure
Operating Temp	-20°C~+50°C
Weight	1.5kg

Dimensions



Installation



Wiring Diagram



Attention:

For electric lock(fail secure),setup in access control of unlocking time should not exceed 10sec,should not let electric lock keeps being electrified all the time.