

Circular Sightglass Discs (Soda Lime) to DIN 8902 resp. similar to DIN 8902

Data Sheet 00.02

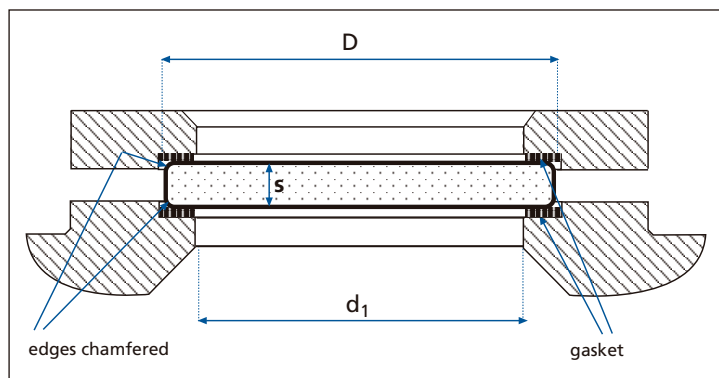
Dimensions D x s (mm)	Viewing Diameter d ₁ (mm)	Nominal Pressure (bar)
DIN-Dimensions		
63 x 10	48	16
80 x 12	65	16
*94 x 12 ¹⁾	80 ¹⁾	6
100 x 15	80	16
*113 x 15 ¹⁾	100 ¹⁾	6
125 x 15	100	10
*125 x 19 ²⁾	100	16
*141 x 15 ¹⁾	125 ¹⁾	6
*150 x 19 ²⁾	125	10
150 x 25	125	16
*166 x 15 ¹⁾	150 ¹⁾	6
*175 x 19 ²⁾	150	10
175 x 25	150	16
*200 x 19 ²⁾	175	8
200 x 25	175	10
250 x 25	225	8
other dimensions on request		

* no DIN-Dimension!

¹⁾ for screwed sightglass fittings similar DIN 11851

²⁾ 's' according to DIN = 20 mm

- For pressure duties at temperatures up to 150° C.
No lower temperature limit.
- Toughened (tempered) soda lime glass.
- Ground and polished.



• Safety precautions when using sightglass discs:

1. Whenever a sightglass assembly has been taken apart it is urgently recommended in accordance with DIN 8902 that the glass disc and gaskets are replaced by new ones. That is particularly important in the case of pressure vessels and/or aggressive media.

The following extract from DIN 8902 text is verbatim:

'Sightglass discs may only be installed by personnel who have been informed fully about the following requirements:

- care in handling sightglass discs
- cleaning of recesses, sightglass discs, gaskets and other parts i.e. removal of foreign bodies (e.g. swarf), prior to installation/reassembly
- even tightening of retaining bolts

Sightglass discs that have been removed after operating use must not be re used.'

2. Planned maintenance:

Sightglass discs should be included in routine maintenance and periodically checked visually or using ultrasound wall thickness measuring means. In the event of damage, a glass disc must be promptly exchanged, with the plant first having been brought to a standstill. The service life of a sightglass – relative to the particular vessel in which it is mounted – should be established by regular and careful visual check of its condition. That will enable an exchange routine to suit the process to be set up.

3. Breakage of a sightglass:

In spite of careful installation and recommended use, sightglass discs can, on rare occasions, suffer breakage through external influences. In order to prevent the entry of glass particles into products of a critical nature, e.g. foodstuffs, appropriate safety precautions should be taken by the plant manufacturer or user.

All dimensions in mm unless stated otherwise. Subject to change without prior notice.
Web 05.05 3755.163