



<b>EN</b>	Cordless Chain Saw	INSTRUCTION MANUAL	7
<b>PL</b>	Akumulatorowa Pilarka Łańcuchowa	INSTRUKCJA OBSŁUGI	19
<b>HU</b>	Akkumulátoros láncfűrész	HASZNÁLATI KÉZIKÖNYV	33
<b>SK</b>	Akumulátorová reťazová píla	NÁVOD NA OBSLUHU	46
<b>CS</b>	Akumulátorová řetězová píla	NÁVOD K OBSLUZE	59
<b>UK</b>	Бездротова ланцюгова пила	ІНСТРУКЦІЯ З ЕКСПЛУАТАЦІЇ	71
<b>RO</b>	Ferăstrău cu lanț cu acumulator	MANUAL DE INSTRUCȚIUNI	86
<b>DE</b>	Akku-Kettensäge	BETRIEBSANLEITUNG	100

DUC256  
DUC306  
DUC356  
DUC406  
DUC256C

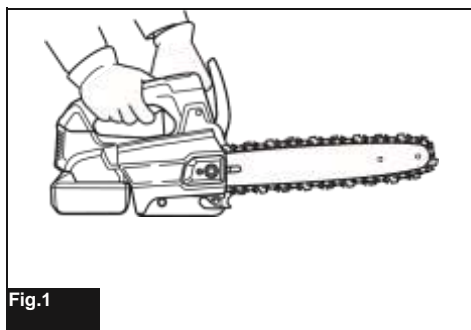
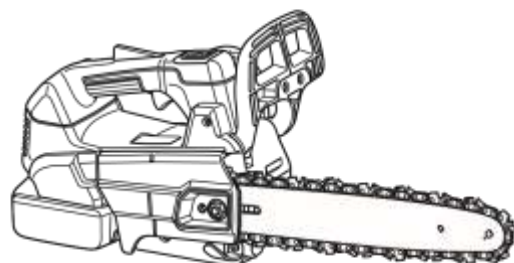


Fig.1

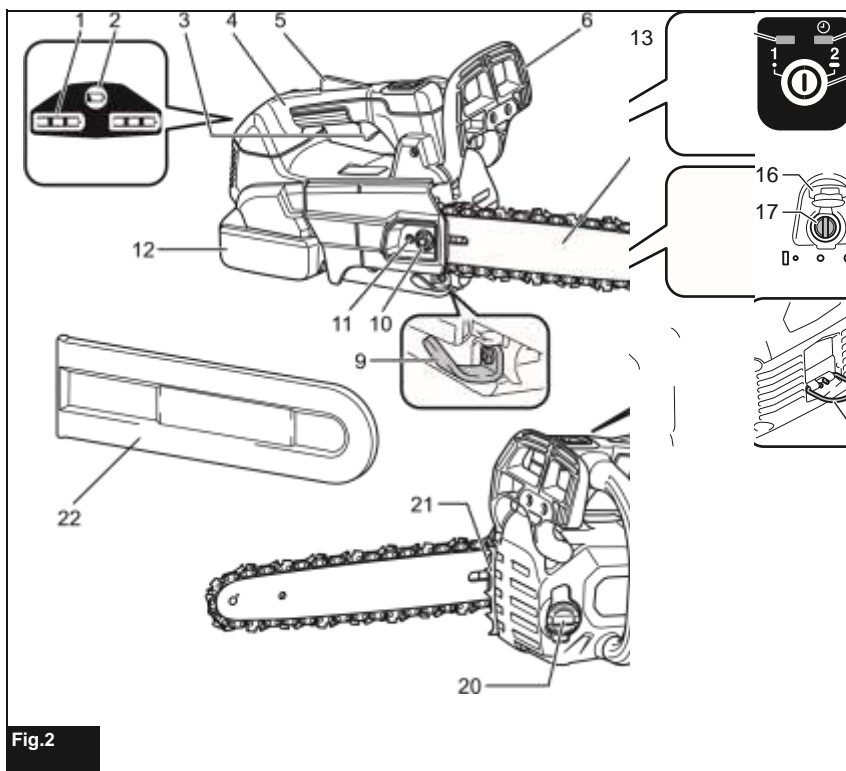


Fig.2

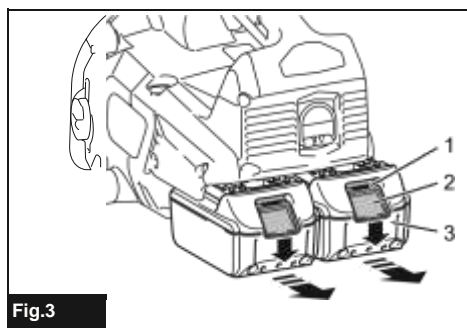


Fig.3

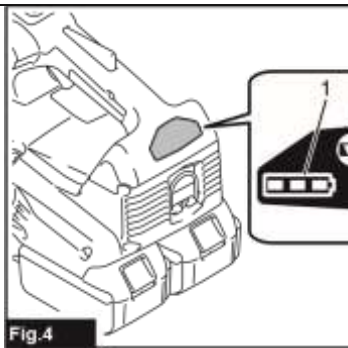
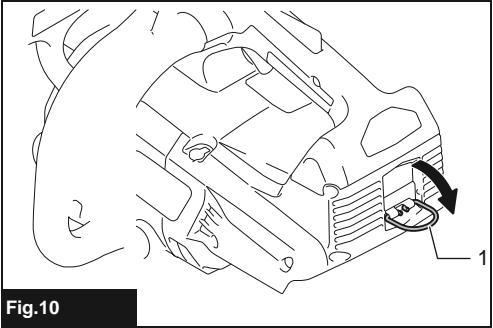
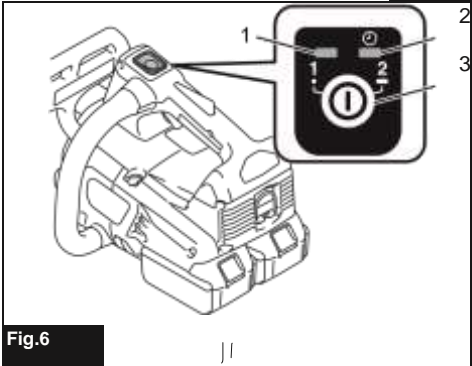
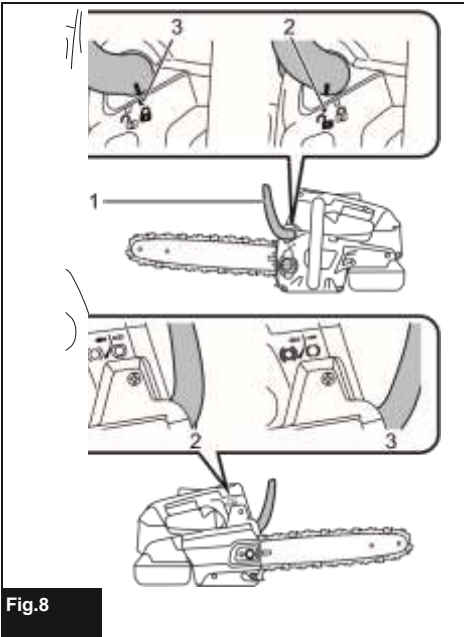
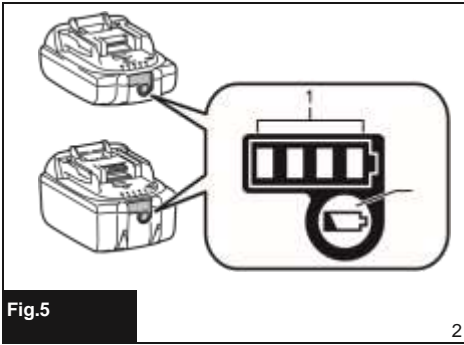
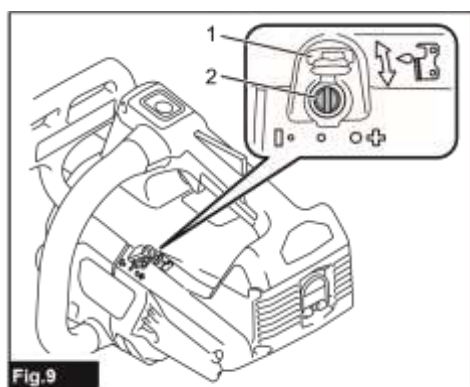
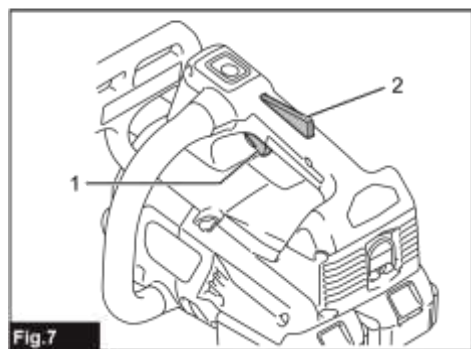


Fig.4





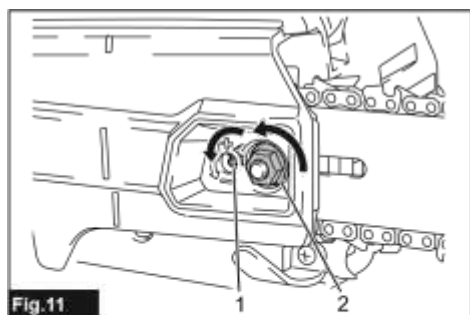


Fig.11

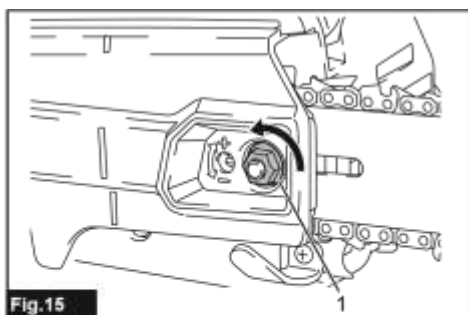


Fig.15

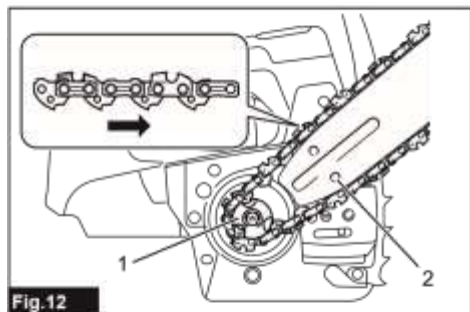


Fig.12

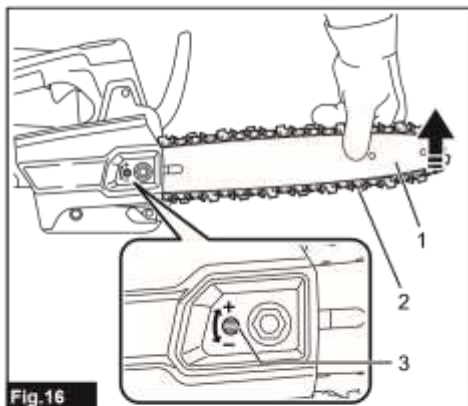


Fig.16

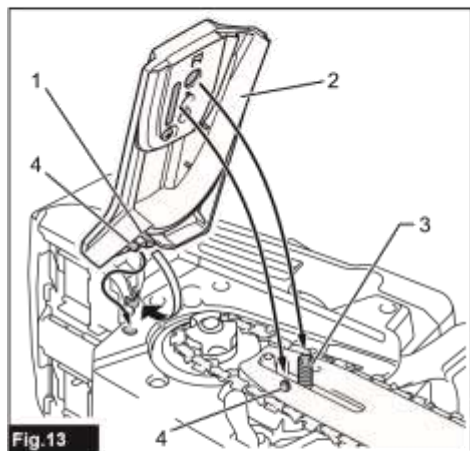


Fig.13

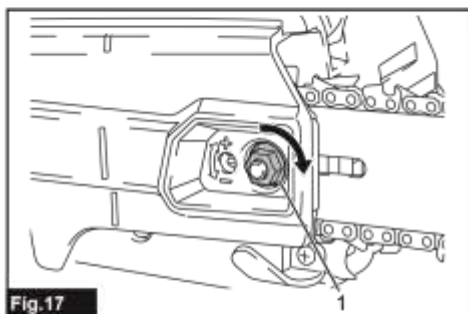


Fig.17

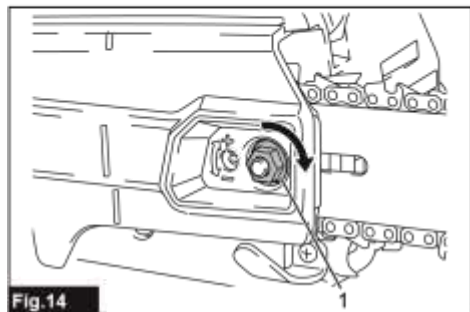


Fig.14

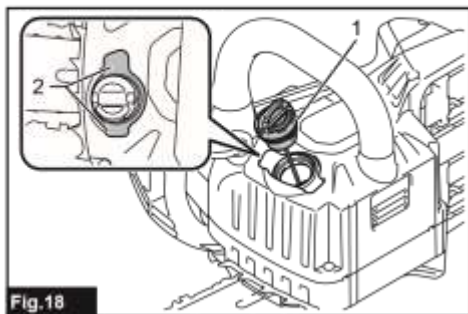
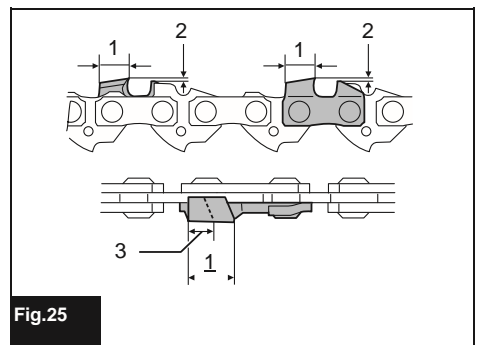
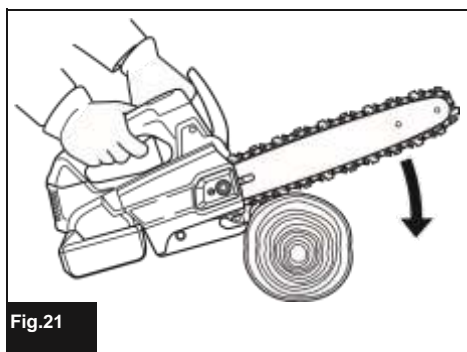
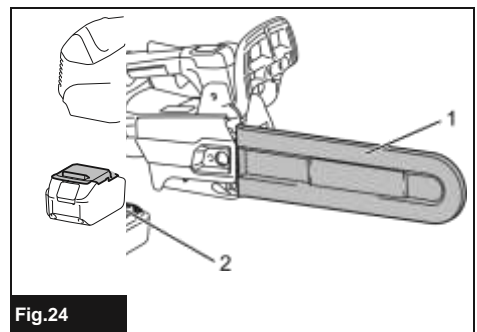
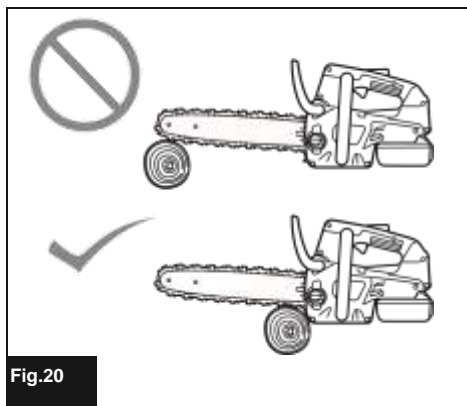
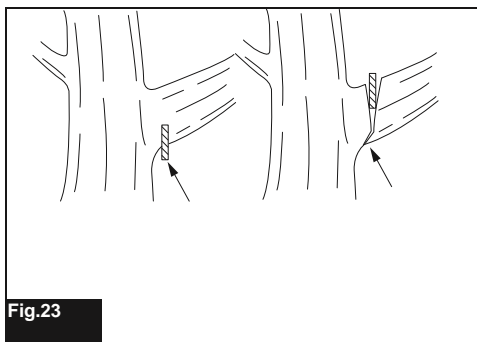
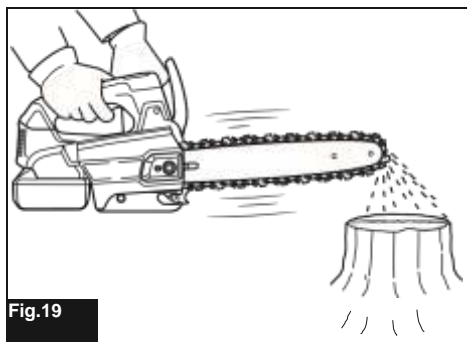
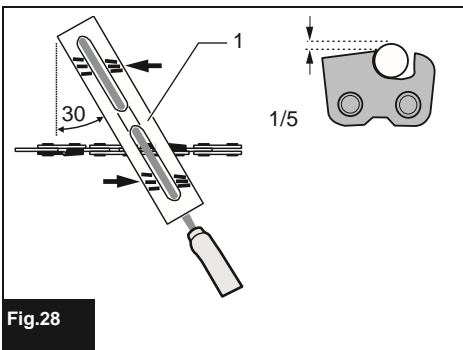
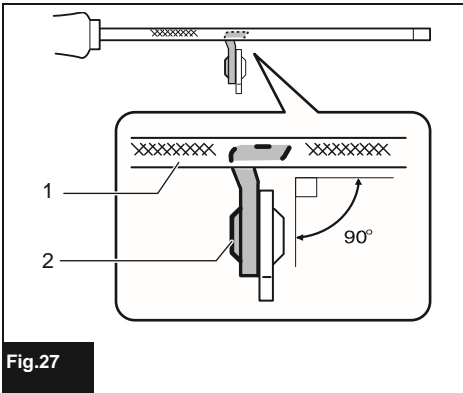
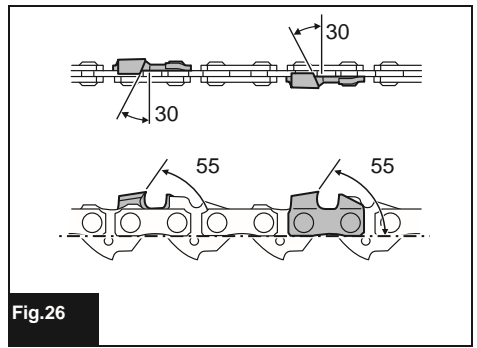
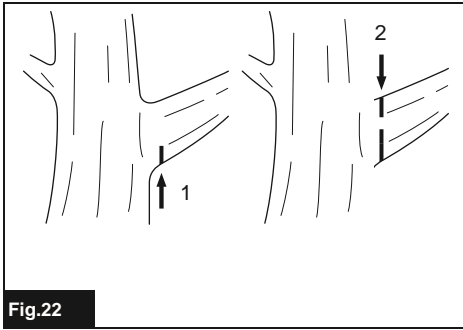
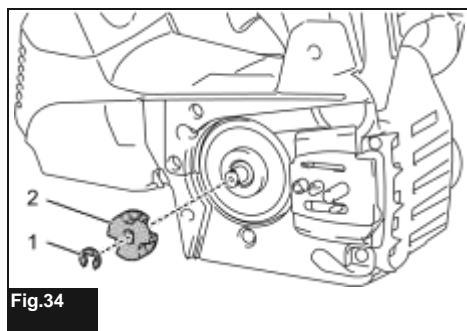
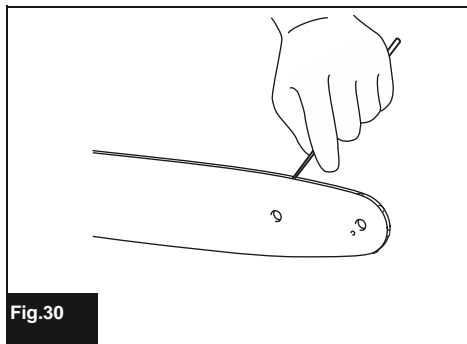
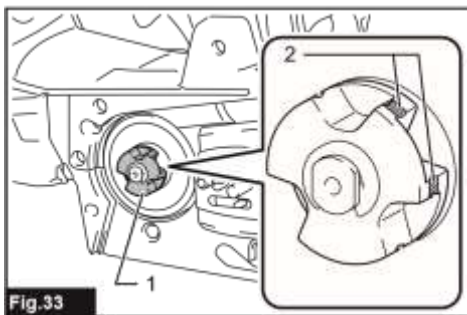
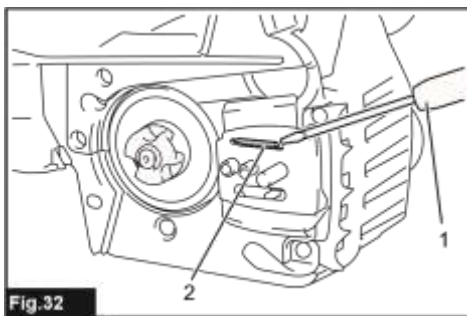
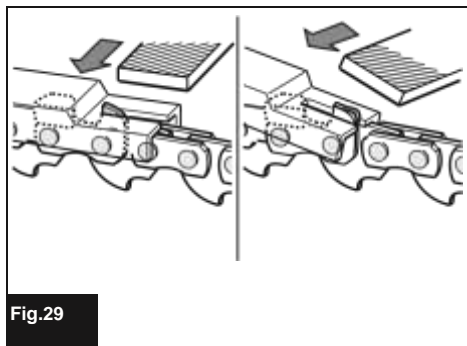


Fig.18







# SPECIFICATIONS

Saw chain type		91PX				
Number of drive links		40	46	52	56	
Guide bar	Guide bar length	mm	mm	mm	mm	
	Cutting length	mm	mm	mm	mm	
	Pitch	3/8"				
	Gauge	1.3 mm				
	Type	Sprocket nose bar				
Sprocket	Number of teeth	6				
	Pitch	3/8"				
Saw chain type		90PX				
Number of drive links		40	46	52	56	
Guide bar	Guide bar length	mm	mm	mm	mm	
	Cutting length	mm	mm	mm	mm	
	Pitch	3/8"				
	Gauge	1.1 mm				
	Type	Sprocket nose bar				
Sprocket	Number of teeth	6				
	Pitch	3/8"				
Model:		DUC256	DUC306	DUC356	DUC406	DUC256C

Overall length (without guide bar)		270 mm				
Rated voltage		D.C. 36 V				
Net weight	*1	4.2 kg				
	*2	4.6 - 4.8 kg	4.7 - 4.9 kg	4.8 - 5.0 kg	4.8 - 5.1 kg	4.6 - 4.7 kg
Standard guide bar length		250 mm	300 mm	350 mm	400 mm	250 mm
Recommended guide bar length	with 90PX	250 - 400 mm				-
	with 91PX	250 - 400 mm				-
	with 25AP	-				250 mm
Applicable saw chain type (refer to the table below)		90PX 91PX				25AP
Standard sprocket	Number of teeth	6				9
	Pitch	3/8"				1/4"
Chain speed		0 - 20 m/s (0 - 1,200 m/min)				
Chain oil tank volume		200 cm <sup>3</sup>				

- Due to our continuing program of research and development, the specifications herein are subject to change without notice.
- Specifications may differ from country to country.

\*1: Weight, with largest battery cartridge and empty oil tank, and without guide bar and chain, according to EN ISO 11681-2. \*2: The lightest and heaviest combination of weight, according to EPTA-Procedure 01/2014. The weight may differ depending on the attachment(s), including the battery cartridge.

#### Applicable battery cartridge

BL1830 / BL1830B / BL1840 / BL1840B / BL1850 / BL1850B / BL1860B

- Some of the battery cartridges listed above may not be available depending on your region of residence.

**⚠ WARNING: Only use the battery cartridges listed above.** Use of any other battery cartridges may cause injury and/or fire.

#### Saw chain, guide bar, and sprocket combination

Saw chain type		25AP
Number of drive links		60
Guide bar	Guide bar length	250 mm
	Cutting length	253 mm
	Pitch	1/4"
	Gauge	1.3 mm
	Type	Carving bar
Sprocket	Number of teeth	9
	Pitch	1/4"

**⚠ WARNING:** Use appropriate combination of the guide bar and saw chain. Otherwise personal injury may result.

## Symbols

The followings show the symbols used for the equipment. Be sure that you understand their meaning before use.

	Read instruction manual.
	Wear safety glasses.
	Wear ear protection.
	Wear a helmet, goggles and ear protection.
	Use appropriate protection for foot-leg and hand-arm.
	This saw is to be used by properly trained operators only.
	Do not expose to moisture.
	Maximum permissible cut length
	Always use two hands when operating the chain saw.
	Beware of chain saw kickback and avoid contact with bar tip.
	Direction of chain travel
	Saw chain oil adjustment
	Ni-MH Li-Ion

Only for EU countries  
Do not dispose of electric equipment or battery pack together with household waste material! In observance of the European Directives, on Waste Electric and Electronic Equipment and Batteries and Accumulators and Waste Batteries and Accumulators and their implementation in accordance with national laws, electric equipment and batteries and battery pack(s) that have reached the end of their life must be collected separately and returned to an environmentally compatible recycling facility.

## Intended use

The tool is intended for cutting branches and pruning trees. It is also suitable for tree service.

## Noise

The typical A-weighted noise level determined according to EN ISO 11681-2:

### Model DUC256

Sound pressure level ( $L_{pA}$ ) : 89 dB(A)  
Sound power level ( $L_{WA}$ ) : 103 dB (A)  
Uncertainty (K) : 3 dB(A)

### Model DUC306

Sound pressure level ( $L_{pA}$ ) : 89 dB(A)  
Sound power level ( $L_{WA}$ ) : 103 dB (A)  
Uncertainty (K) : 3 dB(A)

### Model DUC356

Sound pressure level ( $L_{pA}$ ) : 89 dB(A)  
Sound power level ( $L_{WA}$ ) : 103 dB (A)  
Uncertainty (K) : 3 dB(A)

### Model DUC406

Sound pressure level ( $L_{pA}$ ) : 89 dB(A)  
Sound power level ( $L_{WA}$ ) : 103 dB (A)  
Uncertainty (K) : 3 dB(A)

### Model DUC256C

Sound pressure level ( $L_{pA}$ ) : 89 dB(A)  
Sound power level ( $L_{WA}$ ) : 103 dB (A)  
Uncertainty (K) : 3 dB(A)

**NOTE:** The declared noise emission value(s) has been measured in accordance with a standard test method and may be used for comparing one tool with another.

**NOTE:** The declared noise emission value(s) may also be used in a preliminary assessment of exposure.

**⚠ WARNING:** Wear ear protection.

**⚠ WARNING:** The noise emission during actual use of the power tool can differ from the declared value(s) depending on the ways in which the tool is used especially what kind of workpiece is processed.

**WARNING:** Be sure to identify safety measures to protect the operator that are based on an estimation of exposure in the actual conditions of use (taking account of all parts of the operating cycle such as the times when the tool is switched off and when it is running idle in addition to the trigger time).

## Vibration

The vibration total value (tri-axial vector sum) determined according to EN ISO 11681-2:

### Model DUC256

Work mode: cutting wood  
Vibration emission ( $a_{h,v}$ ) : 3.2 m/s<sup>2</sup>  
Uncertainty (K) : 1.5 m/s<sup>2</sup>

### Model DUC306

Work mode: cutting wood  
Vibration emission ( $a_{h,v}$ ) : 3.2 m/s<sup>2</sup>  
Uncertainty (K) : 1.5 m/s<sup>2</sup>

### Model DUC356

Work mode: cutting wood  
Vibration emission ( $a_{h,w}$ ) : 3.2 m/s<sup>2</sup>  
Uncertainty (K) : 1.5 m/s<sup>2</sup>

#### Model DUC406

Work mode: cutting wood  
Vibration emission ( $a_{h,w}$ ) : 3.2 m/s<sup>2</sup>  
Uncertainty (K) : 1.5 m/s<sup>2</sup>

#### Model DUC256C

Work mode: cutting wood  
Vibration emission ( $a_{h,w}$ ) : 2.5 m/s<sup>2</sup> or less  
Uncertainty (K) : 1.5 m/s<sup>2</sup>

**NOTE:** The declared vibration total value(s) has been measured in accordance with a standard test method and may be used for comparing one tool with another.

**NOTE:** The declared vibration total value(s) may also be used in a preliminary assessment of exposure.

**⚠ WARNING:** The vibration emission during actual use of the power tool can differ from the declared value(s) depending on the ways in which the tool is used especially what kind of workpiece is processed.

**⚠ WARNING:** Be sure to identify safety measures to protect the operator that are based on an estimation of exposure in the actual conditions of use (taking account of all parts of the operating cycle such as the times when the tool is switched off and when it is running idle in addition to the trigger time).

### EC Declaration of Conformity

#### For European countries only

The EC declaration of conformity is included as Annex A to this instruction manual.

## SAFETY WARNINGS

### General power tool safety warnings

**⚠ WARNING:** Read all safety warnings, instructions, illustrations and specifications provided with this power tool. Failure to follow all instructions listed below may result in electric shock, fire and/or serious injury.

### Save all warnings and instructions for future reference.

The term "power tool" in the warnings refers to your mains-operated (corded) power tool or battery-operated (cordless) power tool.

## Cordless Chain saw safety warnings

- Keep all parts of the body away from the saw chain when the chain saw is operating. Before you start the chain saw, make sure the saw chain is not contacting anything.** A moment of inattention while operating chain saws may cause entanglement of your clothing or body with the saw chain.
- Always hold the chain saw with your right hand on the top handle and your left hand on the front handle.** Holding the chain saw with a reversed hand configuration increases the risk of personal injury and should never be done.
- Hold the power tool by insulated gripping surfaces only, because the saw chain may contact hidden wiring.** Saw chains contacting a "live" wire may make exposed metal parts of the power tool "live" and could give the operator an electric shock.
- Wear safety glasses and hearing protection.** Further protective equipment for head, hands, legs and feet is recommended. Adequate protective clothing will reduce personal injury by flying debris or accidental contact with the saw chain.
- Always keep proper footing.**
- When cutting a limb that is under tension be alert for spring back.** When the tension in the wood fibres is released the spring loaded limb may strike the operator and/or throw the chain saw out of control.
- Use extreme caution when cutting brush and saplings.** The slender material may catch the saw chain and be whipped toward you or pull you off balance.
- Carry the chain saw by the front handle with the chain saw switched off and away from your body. When transporting or storing the chain saw always fit the guide bar cover.** Proper handling of the chain saw will reduce the likelihood of accidental contact with the moving saw chain.
- Follow instructions for lubricating, chain tensioning and changing accessories.** Improperly tensioned or lubricated chain may either break or increase the chance for kickback.
- Keep handles dry, clean, and free from oil and grease.** Greasy, oily handles are slippery causing loss of control.
- Cut wood only. Do not use chain saw for purposes not intended.** For example: do not use chain saw for cutting plastic, masonry or non-wood building materials. Use of the chain saw for

operations different than intended could result in a hazardous situation.

12. **Causes and operator prevention of kickback:**

Kickback may occur when the nose or tip of the guide bar touches an object, or when the wood closes in and pinches the saw chain in the cut. Tip contact in some cases may cause a sudden reverse reaction, kicking the guide bar up and back towards the operator. Pinching the saw chain along the top of the guide bar may push the guide

bar rapidly back towards the operator. Either of these reactions may cause you to lose control of the saw which could result in serious personal injury. Do not rely exclusively upon the safety devices built into your saw. As a chain saw user, you should take several steps to keep your cutting jobs free from accident or injury.

Kickback is the result of tool misuse and/or incorrect operating procedures or conditions and can be avoided by taking proper precautions as given below:

- Maintain a firm grip, with thumbs and fingers encircling the chain saw handles, with both hands on the saw and position your body and arm to allow you to resist kickback forces. Kickback forces can be controlled by the operator, if proper precautions are taken.

Do not let go of the chain saw.

► **Fig.1**

- Do not overreach and do not cut above shoulder height. This helps prevent unintended tip contact and enables better control of the chain saw in unexpected situations.
- Only use replacement bars and chains specified by the manufacturer. Incorrect replacement bars and chains may cause chain breakage and/or kickback.
- Follow the manufacturer's sharpening and maintenance instructions for the saw chain. Decreasing the depth gauge height can lead to increased kickback.

13. **Before starting work, check that the chain saw is in proper working order and that its condition complies with the safety regulations. Check in particular that:**

- The chain brake is working properly;
- The run-down brake is working properly;

- The bar and the sprocket cover are fitted correctly;

- The chain has been sharpened and tensioned in accordance with the regulations.

14. **Do not start the chain saw with the chain cover being installed on it.** Starting the chain saw with the chain cover being installed on it may cause the chain cover to thrown out forward resulting in personal injury and damage to objects around the operator.

**Additional Safety Warnings:**

1. **When using the tool with battery adapter, be careful not to trip over the cord during operation.**
2. **When using the tool with battery adapter, keep the cord away from obstacles such as a workpiece and branches during operation.** The cord caught by obstacles may cause serious injury.

## Top handle chainsaw specific safety warnings

1. **This chain saw is designed especially for tree care and surgery. The chain saw is intended to be used by properly trained persons only. Observe all instructions, procedures and recommendations from the relevant professional organization. Otherwise fatal accidents may occur. It is recommend that always using a rising platform (cherry picker, lift) for sawing in trees. Rappelling techniques are extremely dangerous and require special training. The operators must be trained to become familiar with safety equipment usage and climbing techniques. Always use the appropriate belts, ropes and carabiners when working in trees. Always use restraining equipment for both the operator and the saw.**
2. **Perform cleaning and maintenance before storage in accordance with the instruction manual.**
3. **Ensure safe positioning of the chain saw during car transportation to avoid fuel or chain oil leakage, damage to the tool and personal injury.**
4. **Regularly check the functionality of chain brake.**
5. **Do not fill the chain oil near fire. Never smoke when you fill the chain oil.**
6. **National regulation may restrict the use of the chain saw.**
7. **If the equipment gets heavy impact or fall, check the condition before continuing work. Check the controls and safety devices for malfunction. If there is any damage or doubt,**

ask our authorized service center for the inspection and repair.

8. Always activate the chain brake before starting the chain saw.
9. Hold the saw firmly in place to avoid skating (skid movement) or bouncing of the saw when starting a cut.
10. At the end of the cut, be careful to keep your balance due to the "drop".
11. Take into account the direction and speed of the wind. Avoid sawdust and chain oil mist.

#### Protective equipment

1. In order to avoid head, eye, hand or foot injuries as well as to protect your hearing the following protective equipment must be used during operation of the chain saw:
  - The kind of clothing should be appropriate, i.e. it should be tight-fitting but not be a hindrance. Do not wear jewelry or clothing which could become entangled with bushes or shrubs. If you have long hair, always wear a hairnet!
  - It is necessary to wear a protective helmet whenever working with the chain saw. The **protective helmet** is to be checked in regular intervals for damage and is to be replaced after 5 years at the latest. Use only approved protective helmets.
  - The **face shield** of the protective helmet (or the goggles) protects against sawdust and wood chips. During operation of the chain saw always wear a goggle or a face shield to prevent eye injuries.
  - Wear adequate **noise protection equipment** (ear muffs, ear plugs, etc.)
  - The **protective jacket** consists of 22 layers of nylon and protects the operator against cuts. It is always to be worn when working from elevated platforms (cherry pickers, lifts), from platforms mounted on ladders or when climbing with ropes.
  - The **protective brace and bib overall** is made of a nylon fabric with 22 layers and protects against cuts. We strongly recommend its use.
  - **Protective gloves** made of thick leather are part of the prescribed equipment and must always be worn during operation of the chain saw.
  - During operation of the chain saw **safety shoes** or **safety boots** fitted with anti skid sole, steel toe caps and protection for the leg must always be worn. Safety shoes equipped with a protective layer provide protection against cuts and ensure a secure footing. For

working in trees the safety boots must be suitable for climbing techniques.

#### Vibration

1. Individuals with poor circulation who are exposed to excessive vibration may experience injury to blood vessels or the nervous system. Vibration may cause the following symptoms to occur in the fingers, hands or wrists:
  - "Falling asleep" (numbness), tingling, pain, stabbing sensation, alteration of skin colour or of the skin. **If any of these symptoms occur, see a physician!** To reduce the risk of "white finger disease", keep your hands warm during operation and well maintain the equipment and accessories.

## SAVE THESE INSTRUCTIONS.

**⚠ WARNING: DO NOT let comfort or familiarity with product (gained from repeated use) replace strict adherence to safety rules for the subject product. MISUSE or failure to follow the safety rules stated in this instruction manual may cause serious personal injury.**

### Important safety instructions for battery cartridge

1. Before using battery cartridge, read all instructions and cautionary markings on (1) battery charger, (2) battery, and (3) product using battery.
2. Do not disassemble battery cartridge.
3. If operating time has become excessively shorter, stop operating immediately. It may result in a risk of overheating, possible burns and even an explosion.
4. If electrolyte gets into your eyes, rinse them out with clear water and seek medical attention right away. It may result in loss of your eyesight.
5. Do not short the battery cartridge:
  - (1) Do not touch the terminals with any conductive material.
  - (2) Avoid storing battery cartridge in a container with other metal objects such as nails, coins, etc.
  - (3) Do not expose battery cartridge to water or rain.

A battery short can cause a large current flow, overheating, possible burns and even a breakdown.
6. Do not store the tool and battery cartridge in locations where the temperature may reach or exceed 50 °C (122 °F).
7. Do not incinerate the battery cartridge even if it is severely damaged or is completely worn out. The battery cartridge can explode in a fire.

# PARTS DESCRIPTION

Fig.2

1	Battery indicator	2	Check button	3	Switch trigger
4	Top handle	5	Lock-off lever	6	Front hand guard
7	Guide bar	8	Saw chain	9	Chain catcher
10	Retaining nut	11	Chain adjusting screw	12	Battery cartridge
13	Main power lamp	14	Mode indicator	15	Main power switch
16	Cap	17	Adjusting screw oil (for pump)	18	Carabiner
19	Front handle	20	Oil tank cap	21	Spike bumper
22	Guide bar cover	-	-	-	-

8. **Be careful not to drop or strike battery.**
9. **Do not use a damaged battery.**
10. **The contained lithium-ion batteries are subject to the Dangerous Goods Legislation requirements.**  
For commercial transports e.g. by third parties, forwarding agents, special requirement on packaging and labeling must be observed. For preparation of the item being shipped, consulting an expert for hazardous material is required. Please also observe possibly more detailed national regulations.  
Tape or mask off open contacts and pack up the battery in such a manner that it cannot move around in the packaging.
11. **When disposing the battery cartridge, remove it from the tool and dispose of it in a safe place. Follow your local regulations relating to disposal of battery.**
12. **Use the batteries only with the products specified by Makita.** Installing the batteries to non-compliant products may result in a fire, excessive heat, explosion, or leak of electrolyte.
13. **If the tool is not used for a long period of time, the battery must be removed from the tool.**

## SAVE THESE INSTRUCTIONS.

**CAUTION:** Only use genuine Makita batteries. Use of non-genuine Makita batteries, or batteries that have been altered, may result in the battery bursting causing fires, personal injury and damage. It will also void the Makita warranty for the Makita tool and charger.

## Tips for maintaining maximum battery life

1. **Charge the battery cartridge before completely discharged. Always stop tool**

- operation and charge the battery cartridge when you notice less tool power.
2. **Never recharge a fully charged battery cartridge. Overcharging shortens the battery service life.**
3. **Charge the battery cartridge with room temperature at 10 °C - 40 °C (50 °F - 104 °F). Let a hot battery cartridge cool down before charging it.**
4. **Charge the battery cartridge if you do not use it for a long period (more than six months).**

## FUNCTIONAL DESCRIPTION

**CAUTION:** Always be sure that the tool is switched off and the battery cartridge is removed before adjusting or checking function on the tool.

### Installing or removing battery cartridge

**CAUTION:** Always switch off the tool before installing or removing of the battery cartridge.

**CAUTION:** Hold the tool and the battery cartridge firmly when installing or removing battery cartridge. Failure to hold the tool and the battery cartridge firmly may cause them to slip off your hands and result in damage to the tool and battery cartridge and a personal injury.

► **Fig.3:** 1. Red indicator 2. Button 3. Battery cartridge

To remove the battery cartridge, slide it from the tool while sliding the button on the front of the cartridge.

To install the battery cartridge, align the tongue on the battery cartridge with the groove in the housing and slip it into place. Insert it all the way until it locks in place with a little click. If you can see the red indicator on the upper side of the button, it is not locked completely.

**CAUTION:** Always install the battery cartridge fully until the red indicator cannot be seen. If not, it may accidentally fall out of the tool, causing injury to you or someone around you.

**CAUTION:** Do not install the battery cartridge forcibly. If the cartridge does not slide in easily, it is not being inserted correctly.

## Indicating the remaining battery capacity

► **Fig.4:** 1. Battery indicator 2. Check button

Press the check button to indicate the remaining battery capacities. The battery indicators correspond to each battery.

Battery indicator status			Remaining battery capacity
On	Off	Blinking	
			50% to 100%
			20% to 50%
			0% to 20%
			Charge the battery

## Indicating the remaining battery capacity

Only for battery cartridges with the indicator

► **Fig.5:** 1. Indicator lamps 2. Check button

Press the check button on the battery cartridge to indicate the remaining battery capacity. The indicator lamps light up for a few seconds.

Indicator lamps			Remaining capacity
Lighted	Off	Blinking	
			75% to 100%
			50% to 75%
			25% to 50%
			0% to 25%
			Charge the battery.

Indicator lamps			Remaining capacity
Lighted	Off	Blinking	
			The battery may have malfunctioned.

**NOTE:** Depending on the conditions of use and the ambient temperature, the indication may differ slightly from the actual capacity.

## Tool / battery protection system

The tool is equipped with a tool/battery protection system. This system automatically cuts off power to the motor to extend tool and battery life. The tool will automatically stop during operation if the tool or battery is placed under one of the following conditions:

### Overload protection

When the battery is operated in a manner that causes it to draw an abnormally high current, the tool automatically stops and the main power lamp blinks in green. In this situation, turn the tool off and stop the application that caused the tool to become overloaded. Then turn the tool on to restart.

### Overheat protection

When the tool or battery is overheated, the tool stops automatically and the main power lamp lights up in red. In this case, let the tool and battery cool before turning the tool on again.

**NOTE:** In high temperature environment, the overheat protection likely to work and the tool stops automatically.

### Overdischarge protection

When the battery capacity is not enough, the tool stops automatically and the main power lamp blinks in red. In this case, remove the battery from the tool and charge the battery.

## Main power switch

**WARNING:** Always turn off the main power switch when not in use.

To turn on the tool, press the main power switch until the main power lamp lights up in green. To turn off, press the main power switch again.

► **Fig.6:** 1. Main power lamp 2. Mode indicator

3. Main power switch

**NOTE:** The main power lamp blinks in green if the switch trigger is pulled under unoperatable

conditions. The lamp blinks in one of the following conditions.

- When you turn on the main power switch while holding down the lock-off lever and the switch trigger.
- When you pull the switch trigger while the chain brake is applied.
- When you release the chain brake while holding down the lock-off lever and pulling the switch trigger.

**NOTE:** This tool employs the auto power-off function. To avoid unintentional start up, the main power switch will automatically shut down when the switch trigger is not pulled for a certain period after the main power switch is turned on.

You can use the tool in the Torque Boost mode for cutting thick branches or hard branches. To use the tool in the Torque Boost mode, when the tool is turned off, press the main power switch for a few seconds until the mode indicator lights up in green.

**NOTE:** You can use the tool in the Torque Boost mode up to 60 seconds. Depending on the usage conditions, this mode shifts to the normal mode in less than 60 seconds.

**NOTE:** If the mode indicator blinks in green when you press the main power switch for a few seconds, the Torque Boost mode is not available. In this case, follow the steps below.

- The Torque Boost mode is not available right after the cutting operation. Wait for more than 10 seconds, and then press the main power switch for a few seconds again.
- If you use the Torque Boost mode several times, the use of the Torque Boost mode is restricted to protect the battery. If the Torque Boost mode is not available after waiting for more than 10 seconds, replace the battery cartridge with a fully charged one, or recharge the battery cartridge.

**NOTE:** If the main power lamp lights up in red or blinks in red or green, refer to the instructions for tool/battery protection system.

## Switch action

**⚠WARNING:** For your safety, this tool is equipped with lock-off lever which prevents the tool from unintended starting. NEVER use the tool if it runs when you simply pull the switch trigger without pressing the lock-off lever. Return the tool to our authorized service center for proper repairs BEFORE further usage.

**⚠WARNING:** NEVER tape down or defeat purpose and function of lock-off lever.

**⚠CAUTION:** Before installing the battery cartridge into the tool, always check to see that the switch trigger actuates properly and returns to the "OFF" position when released.

**NOTICE:** Do not pull the switch trigger hard without pressing the lock-off lever. This can cause switch breakage.

To prevent the switch trigger from being accidentally pulled, a lock-off lever is provided. To start the tool, depress the lock-off lever and pull the switch trigger. The tool speed increases by increasing pressure on the switch trigger. Release the switch trigger to stop. ▶

**Fig.7:** 1. Switch trigger 2. Lock-off lever

## Checking the chain brake

**⚠CAUTION:** Hold the chain saw with both hands when switching it on. Hold the top handle with your right hand, the front handle with your left. The bar and the chain must not be in contact with any object.

**CAUTION:** Should the saw chain not stop immediately when this test is performed, the saw may not be used under any circumstances. Consult our authorized service center.

1. Press the lock-off lever, then pull the switch trigger. The saw chain starts immediately.

2. Push the front hand guard forwards with the back of your hand. Make sure that the chain saw comes to an immediate standstill.

▶ **Fig.8:** 1. Front hand guard 2. Unlocked position

3. Locked position

## Checking the run-down brake

**⚠CAUTION:** If the saw chain does not stop within two seconds in this test, stop using the chain saw and consult our authorized service center.

Run the chain saw then release the switch trigger completely. The saw chain must come to a standstill within two seconds.

## Adjusting the chain lubrication

You can adjust the oil pump feed rate with the adjusting screw using the universal wrench. The amount of oil can be adjusted in 3 steps. Open the cap to adjust the adjusting screw. ▶ **Fig.9:** 1. Cap 2. Adjusting screw

## Carabiner (rope attachment point)

You can hang the tool by attaching the rope to the carabiner. Pull up the carabiner, and then tie it with the rope. ▶ **Fig.10:** 1. Carabiner

## Spike bumper

The tool is equipped with the spike bumper as standard. For replacement of the spike bumper, ask Makita Authorized Service Centers.

When you perform the cutting operation, engage the spike bumper with the trunk and use it as a lever.

## Electronic function

The tool is equipped with the electronic functions for easy operation.

- Constant speed control  
The speed control function provides the constant rotation speed regardless of load conditions.

## ASSEMBLY

**CAUTION:** Always be sure that the tool is switched off and the battery cartridge is removed before carrying out any work on the tool.

**CAUTION:** Do not touch the saw chain with bare hands. Always wear gloves when handling the saw chain.

## Removing or installing saw chain

**CAUTION:** The saw chain and the guide bar are still hot just after the operation. Let them cool down enough before carrying out any work on the tool.

**CAUTION:** Carry out the procedure of installing or removing saw chain in a clean place free from sawdust and the like.

To remove the saw chain, perform the following steps:

1. Release the chain brake by pulling the front hand guard.
2. Loosen the chain adjusting screw, then the retaining nut.  
▶ **Fig.11:** 1. Chain adjusting screw 2. Retaining nut

3. Remove the sprocket cover then remove the saw chain and guide bar from the chain saw body. To install the saw chain, perform the following steps:

1. Check the direction of the saw chain. Match the direction of the saw chain with that of the mark on the chain saw body.
2. Fit one end of the saw chain on the top of the guide bar.
3. Fit the other end of the saw chain around the sprocket, then attach the guide bar to the chain saw body, aligning the hole on the guide bar with the pin on the chain saw body.  
▶ **Fig.12:** 1. Sprocket 2. Hole
4. Insert the protrusion and the pin on the sprocket cover to the chain saw body, and then close the cover so that the bolt and pin on the chain saw body meet their counterparts on the cover.

- ▶ **Fig.13:** 1. Protrusion 2. Sprocket cover 3. Bolt
4. Pin
5. Tighten the retaining nut to secure the sprocket cover, then loosen it a bit for tension adjustment. ▶ **Fig.14:** 1.

Retaining nut

## Adjusting saw chain tension

**CAUTION:** Do not tighten the saw chain too much. Excessively high tension of saw chain may cause breakage of saw chain and wear of the guide bar.

**CAUTION:** A chain which is too loose can jump off the bar and it may cause an injury accident.

The saw chain may become loose after many hours of use. From time to time check the saw chain tension before use.

1. Release the chain brake by pulling the front hand guard.
2. Loosen the retaining nut a bit to loosen the sprocket cover lightly.

▶ **Fig.15:** 1. Retaining nut

3. Lift up the guide bar tip slightly and adjust the chain tension. Turn the chain adjusting screw clockwise to tighten, turn it counterclockwise to loosen.

### For chain blade 90PX and 91PX:

Tighten the saw chain until the lower side of the saw chain fits in the guide bar rail as illustrated.

▶ **Fig.16:** 1. Guide bar 2. Saw chain 3. Chain adjusting screw

### For chain blade 25AP:

Tighten the saw chain so that the gap between the center of the lower side of the guide bar and the saw chain becomes approximately 1 mm to 2 mm.

4. Keep holding the guide bar lightly and tighten the sprocket cover.

### For chain blade 90PX and 91PX:

Make sure that the saw chain does not loose at the lower side.

### For chain blade 25AP:

Make sure that the gap between the center of the lower side of the guide bar and the saw chain is approximately 1 mm to 2 mm.

5. Tighten the retaining nut to secure the sprocket cover.

▶ **Fig.17:** 1. Retaining nut

# OPERATION

## Lubrication

Saw chain is automatically lubricated when the tool is in operation. Check the amount of remaining oil in the oil tank periodically through the oil inspection window. To refill the tank, lay the chain saw on its side, then push the oil tank cap, and then remove the oil tank cap. The proper amount of oil is 200 ml. After refilling the tank, make sure that the oil tank cap is tightened securely.

► **Fig.18:** 1. Oil tank cap 2. Oil inspection window

After refilling, hold the chain saw away from the tree.

Start it and wait until lubrication on saw chain is adequate. ► **Fig.19**

**NOTICE:** When filling the chain oil for the first time, or refilling the tank after it has been completely emptied, add oil up to the bottom edge of the filler neck. The oil delivery may otherwise be impaired.

**NOTICE:** Use the saw chain oil exclusively for Makita chain saws or equivalent oil available in the market.

**NOTICE:** Never use oil including dust and particles or volatile oil.

**NOTICE:** When pruning trees, use botanical oil. Mineral oil may harm trees.

**NOTICE:** Before the cutting operation, make sure that the provided oil tank cap is screwed in place.

## WORKING WITH THE CHAIN SAW

**CAUTION:** Keep all parts of the body away from the saw chain when the motor is operating.

**CAUTION:** Hold the chain saw firmly with both hands when the motor is running.

**CAUTION:** Do not overreach. Keep proper footing and balance at all times.

**NOTICE:** Never toss or drop the tool.

**NOTICE:** Do not cover the vents of the tool.

## Pruning trees

Bring the chain saw body into contact with the branch to be cut before switching on. Otherwise it may cause the guide bar to wobble, resulting in injury to operator. Saw the wood to be cut by just moving it down

by using the weight of the chain saw. ► **Fig.20**

If you cannot cut the timber right through with a single stroke:

Apply light pressure to the handle and continue sawing and draw the chain saw back a little. ► **Fig.21**

When cutting thick branches, first make a shallow undercut and then make the finish cut from the top. ► **Fig.22**

If you try to cut off thick branches from the bottom, the branch may close in and pinch the saw chain in the cut. If you try to cut off thick branches from the top without a shallow undercut, the branch may splinter. ► **Fig.23**

## Carrying tool

Before carrying the tool, always apply the chain brake and remove the battery cartridges from the tool. Then attach the guide bar cover. Also cover the battery cartridge with the battery cover.

► **Fig.24:** 1. Guide bar cover 2. Battery cover

## MAINTENANCE

**CAUTION:** Always be sure that the tool is switched off and the battery cartridge is removed before attempting to perform inspection or maintenance.

**CAUTION:** Always wear gloves when performing any inspection or maintenance.

**NOTICE:** Never use gasoline, benzine, thinner, alcohol or the like. Discoloration, deformation or cracks may result.

To maintain product SAFETY and RELIABILITY, repairs, any other maintenance or adjustment should be performed by Makita Authorized or Factory Service Centers, always using Makita replacement parts.

## Sharpening the saw chain

Sharpen the saw chain when:

- Mealy sawdust is produced when damp wood is cut;
- The chain penetrates the wood with difficulty, even when heavy pressure is applied;
- The cutting edge is obviously damaged;
- The saw pulls to the left or right in the wood. (caused by uneven sharpening of the saw chain or damage to one side only)

Sharpen the saw chain frequently but a little each time. Two or three strokes with a file are usually sufficient for routine resharpener. When the saw chain has been resharpened several times, have it sharpened in our authorized service center.

**Sharpening criteria:**

**⚠ WARNING: An excessive distance between the cutting edge and depth gauge increases the risk of kickback.**

► **Fig.25:** 1. Cutter length 2. Distance between cutting edge and depth gauge 3. Minimum cutter length (3 mm)

- All cutter length must be equal. Different cutter lengths prevent the saw chain from running smoothly and may cause the saw chain to break.
- Do not sharpen the chain when the cutter length has reached 3 mm or shorter. The chain must be replaced with new one.
- The chip thickness is determined by the distance between the depth gauge (round nose) and the cutting edge.
- The best cutting results are obtained with following distance between cutting edge and depth gauge.
  - Chain blade 90PX :  
0.65 mm
  - Chain blade 91PX :  
0.65 mm
  - Chain blade 25AP :  
0.65 mm

► **Fig.26**

- The sharpening angle of 30° must be the same on all cutters. Different cutter angles cause the chain to run roughly and unevenly, accelerate wear, and lead to chain breaks.
- Use a suitable round file so that the proper sharpening angle is kept against the teeth.
  - Chain blade 90PX :  
55°
  - Chain blade 91PX :  
55°
  - Chain blade 25AP :  
55°

**File and file guiding**

- Use a special round file (optional accessory) for saw chains to sharpen the chain. Normal round files are not suitable.
- Diameter of the round file for each saw chain is as follows:
  - Chainblade 90PX :  
4.5 mm

- Chainblade 91PX :  
4.0 mm
- Chainblade 25AP :  
4.0 mm

- The file should only engage the cutter on the forward stroke. Lift the file off the cutter on the return stroke.
- Sharpen the shortest cutter first. Then the length of this shortest cutter becomes the standard for all other cutters on the saw chain.
- Guide the file as shown in the figure.

► **Fig.27:** 1. File 2. Saw chain

- The file can be guided more easily if a file holder (optional accessory) is employed. The file holder has markings for the correct sharpening angle of 30° (align the markings parallel to the saw chain) and limits the depth of penetration (to 4/5 of the file diameter).

► **Fig.28:** 1. File holder

- After sharpening the chain, check the height of the depth gauge using the chain gauge tool (optional accessory).
- **Fig.29**
- Remove any projecting material, however small, with a special flat file (optional accessory).
- Round off the front of the depth gauge again.

**Cleaning the guide bar**

Chips and sawdust will build up in the guide bar groove. They may clog the bar groove and impair the oil flow. Clean out the chips and sawdust every time when you sharpen or replace the saw chain. ► **Fig.30**

**Cleaning the sprocket cover**

Chips and saw dust will accumulate inside of the sprocket cover. Remove the sprocket cover and saw chain from the tool then clean the chips and saw dust. ► **Fig.31**

## Cleaning the oil discharge hole

Small dust or particles may be built up in the oil discharge hole during operation. These dust or particles may impair the oil to flow and cause an insufficient lubrication on the whole saw chain. When a poor chain oil delivery occurs at the top of guide bar, clean the oil discharge hole as follows.

1. Remove the sprocket cover and saw chain from the tool.
2. Remove the small dust or particles using a slotted screwdriver or the like.

▶ **Fig.32:** 1. Slotted screwdriver 2. Oil discharge hole

3. Insert the battery cartridge into the tool. Pull the switch trigger to flow built-up dust or particles off the oil discharge hole by discharging chain oil.

4. Remove the battery cartridge from the tool. Reinstall the sprocket cover and saw chain on the tool.

## Replacing the sprocket

**CAUTION:** A worn sprocket will damage a new saw chain. Have the sprocket replaced in this case.

Before fitting a new saw chain, check the condition of the sprocket.

▶ **Fig.33:** 1. Sprocket 2. Areas to be worn out

Always fit a new locking ring when replacing the sprocket.

▶ **Fig.34:** 1. Locking ring 2. Sprocket

**NOTICE:** Make sure that the sprocket is installed as shown in the figure.

## Storing the tool

1. Clean the tool before storing. Remove any chips and sawdust from the tool after removing the sprocket cover.
2. After cleaning the tool, run it under no load to lubricate the saw chain and guide bar.
3. Cover the guide bar with the guide bar cover.
4. Empty the oil tank.

## Instructions for periodic maintenance

To ensure long life, prevent damage and ensure the full functioning of the safety features, the following maintenance must be performed regularly. Warranty claims can be recognized only if this work is performed regularly and properly. Failure to perform the prescribed maintenance work can lead to accidents! The user of the chain saw must not perform maintenance work which is not described in the instruction manual. All such work must be carried out by our authorized service center.

Check item / Operating time		Before operation	Everyday	Every week	Every 3 month	Annually	Before storage
Chain saw	Inspection.	✓	-	-	-	-	-
	Cleaning.	-	✓	-	-	-	-
	Check at authorized service center.	-	-	-	-	✓	✓
Saw chain	Inspection.	✓	-	-	-	-	-
	Sharpening if necessary.	-	-	-	-	-	✓
Guide bar	Inspection.	✓	✓	-	-	-	-
	Remove from the chain saw.	-	-	-	-	-	✓
Chain brake	Check the function.	✓	-	-	-	-	-

	Have it inspected regularly at authorized service center.	-	-	-	✓	-	-
Chain lubrication	Check the oil feed rate.	✓	-	-	-	-	-
Switch trigger	Inspection.	✓	-	-	-	-	-
Lock-off lever	Inspection.	✓	-	-	-	-	-
Oil tank cap	Check tightness.	✓	-	-	-	-	-
Chain catcher	Inspection.	-	-	✓	-	-	-
Screws and nuts	Inspection.	-	-	✓	-	-	-

## TROUBLESHOOTING

Before asking for repairs, conduct your own inspection first. If you find a problem that is not explained in the manual, do not attempt to dismantle the tool. Instead, ask Makita Authorized Service Centers, always using Makita replacement parts for repairs.

Malfunction status	Cause	Action
The chain saw does not start.	Battery cartridge is not installed.	Install a charged battery cartridge.
	Battery problem (low voltage).	Recharge the battery cartridges. If recharging is not effective, replace the battery cartridge.
	Main power switch is off.	The chain saw is automatically turned off if it is un-operated for a certain period. Turn on the main power switch again.
The saw chain does not run.	Chain brake activated.	Release chain brake.
The motor stops running after a little use.	Battery's charge level is low.	Recharge the battery cartridges. If recharging is not effective, replace the battery cartridge.
No oil on the chain.	Oil tank is empty.	Fill the oil tank.
	Oil guide groove is dirty.	Clean the groove.
	Poor oil delivery.	Adjust the amount of oil delivery with the adjusting screw.
The chain saw does not reach maximum RPM.	Battery cartridge is installed improperly.	Install the battery cartridges as described in this manual.
	Battery power is dropping.	Recharge the battery cartridge. If recharging is not effective, replace the battery cartridge.
	The drive system does not work correctly.	Ask the authorized service center in your region for repair.
The main power lamp is blinking in green.	Switch trigger is pulled under an unoperatable condition.	Pull the switch trigger after the main power switch is turned on and the chain brake is released.

Chain does not stop even the chain brake is activated: <b>Stop the machine immediately!</b>	The brake band is worn down.	Ask the authorized service center in your region for repair.
Abnormal vibration: <b>Stop the machine immediately!</b>	Loose guide bar or saw chain.	Adjust the guide bar and saw chain tension.
	Tool malfunction.	Ask the authorized service center in your region for repair.
The Torque Boost mode is not available after replacing the battery cartridge with a fully charged one.	Depending on the usage conditions, the Torque Boost mode is not available after replacing the battery cartridge.	Use the tool in the normal mode until the installed battery cartridge becomes empty, and then replace the battery cartridge with a fully charged one, or recharge the battery cartridge.
The saw chain cannot be installed.	The combination of saw chain and sprocket is not correct.	Use the correct combination of saw chain and sprocket by referring to the section for specifications.

## OPTIONAL ACCESSORIES

**CAUTION:** These accessories or attachments are recommended for use with your Makita tool specified in this manual. The use of any other accessories or attachments might present a risk of injury to persons. Only use accessory or attachment for its stated purpose.

If you need any assistance for more details regarding these accessories, ask your local Makita Service Center.

- Saw chain
- Guide bar
- Guide bar cover
- Sprocket
- File
- Makita genuine battery and charger

**WARNING:** If you purchase a guide bar of different length from the standard guide bar, also purchase a suitable guide bar cover together. It must fit and fully cover the guide bar on the chain saw.

**NOTE:** Some items in the list may be included in the tool package as standard accessories. They may differ from country to country.

## DANE TECHNICZNE

Model:		DUC256	DUC306	DUC356	DUC406	DUC256C
Całkowita długość (bez prowadnicy)		270 mm				
Napięcie znamionowe		Prąd stały 36 V				
Masa netto	*1	4,2 kg				
	*2	4,6–4,8 kg	4,7–4,9 kg	4,8–5,0 kg	4,8–5,1 kg	4,6–4,7 kg
Standardowa długość prowadnicy		250 mm	300 mm	350 mm	400 mm	250 mm
Zalecana długość prowadnicy	z 90PX	250–400 mm				-
	z 91PX	250–400 mm				-
	z 25AP	-				250 mm
Odpowiedni typ łańcucha tnącego (patrz tabela poniżej)		90PX 91PX				25AP
Standardowe koło łańcuchowe	Liczba zębów	6				9
	Podziałka	3/8"				1/4"
Prędkość łańcucha		0–20 m/s (0–1 200 m/min)				
Pojemność zbiornika oleju łańcuchowego		200 cm <sup>3</sup>				

Typ łańcucha tnącego		90PX			
Liczba ogniw napędowych		40	46	52	56
Prowadnica	Długość prowadnicy	mm	mm	mm	mm
	Długość cięcia	mm	mm	mm	mm
	Podziałka	3/8"			
	Wskaźnik	1,1 mm			
	Typ	Prowadnica gwiazdkowa			
Koło łańcuchowe	Liczba zębów	6			
	Podziałka	3/8"			

- W związku ze stale prowadzonym przez naszą firmę programem badawczo-rozwojowym niniejsze dane mogą ulec zmianom bez wcześniejszego powiadomienia.
- Dane techniczne mogą różnić się w zależności od kraju.
- \*1: Masa z największym akumulatorem i z pustym zbiornikiem oleju oraz bez przewodnicy i łańcucha — zgodnie z normą EN ISO 11681-2.
- \*2: Masa najlżejszej i najcięższej konfiguracji zgodnie z procedurą EPTA 01/2014. Masa może być różna w zależności od osprzętu, w tym akumulatora.

#### Kompatybilne akumulatory

BL1830 / BL1830B / BL1840 / BL1840B / BL1850 / BL1850B / BL1860B

- Pewne z wymienionych powyżej akumulatorów mogą być niedostępne w regionie zamieszkania użytkownika.

**⚠ OSTRZEŻENIE:** Należy używać wyłącznie akumulatorów wymienionych powyżej. Używanie innych akumulatorów może stwarzać ryzyko wystąpienia obrażeń ciała lub pożaru.




#### Kombinacja łańcucha tnącego, przewodnicy i koła łańcuchowego

Typ łańcucha tnącego			25AP				
Liczba ogniw napędowych			60				
Przewodnica	Długość przewodnicy			mm			
	Długość cięcia			mm			
	Podziałka			1/4"			
	Wskaźnik			1,3 mm			
	Typ			Przewodnica do rzeźbienia			
Koło łańcuchowe	Liczba zębów			9			
	Podziałka			1/4"			
Typ łańcucha tnącego			91PX				
Liczba ogniw napędowych			40	46	52	56	
Przewodnica	Długość przewodnicy			mm	mm	mm	mm
	Długość cięcia			mm	mm	mm	mm
	Podziałka			3/8"			
	Wskaźnik			1,3 mm			
	Typ			Przewodnica gwiazdkowa			
Koło łańcuchowe	Liczba zębów			6			
	Podziałka			3/8"			
<b>⚠ OSTRZEŻENIE:</b> Należy używać przewodnicy i łańcucha tnącego, które do siebie pasują. W przeciwnym razie może to przyczynić się do powstania obrażeń.							

## Symbole

Poniżej pokazano symbole zastosowane na urządzeniu. Przed rozpoczęciem użytkowania należy zapoznać się z ich znaczeniem.

	Przeczytać instrukcję obsługi.
	Nosić okulary ochronne.
	Nosić ochronniki słuchu.
	Nosić kask, gogle oraz ochronniki słuchu.
	Stosować odpowiednie środki ochrony stóp i nóg oraz dłoni i ramion.
	Ta pilarka jest przeznaczona do użytku wyłącznie przez odpowiednio przeszkolonego operatora.
	Chronić przed wilgocią.
	Maksymalna dopuszczalna długość cięcia
	Pilarkę łańcuchową należy zawsze obsługiwać oburącz.
	Uważać na odrzut pilarki łańcuchowej i unikać kontaktu z końcem przewodnicy.

	Kierunek posuwu łańcucha
	Regulacja smarowania pilarki łańcuchowej
	Nie wyrzucać urządzeń elektrycznych z akumulatorów darstwa domowego! Zgodnie z dyrektywami UE sprawie elektrycznego i elektronicznego sprzętu i akumulatorów oraz zużytych baterii i akumulatorów, a także dostosowaniem ich do prawa krajowego, zużyte urządzenia elektryczne, baterie i akumulatory, należy składować osobno i przekazywać do recyklingu działającego z przepisami dotyczącymi ochrony środowiska.

## Przeznaczenie

Narzędzie jest przeznaczone do obcinania gałęzi i przycinania drzew. Jest również odpowiednie do ogólnych prac w zakresie pielęgnacji drzewostanu.

## Hałas

Typowy równoważny poziom dźwięku A określony w oparciu o normę EN ISO 11681-2:

### Model DUC256

Poziom ciśnienia akustycznego (L<sub>PA</sub>): 89 dB(A)

Poziom mocy akustycznej (L<sub>WA</sub>): 103 dB (A)

Niepewność (K): 3 dB(A)

### Model DUC306

Poziom ciśnienia akustycznego (L<sub>PA</sub>): 89 dB(A)

Poziom mocy akustycznej (L<sub>WA</sub>): 103 dB (A)

Niepewność (K): 3 dB(A)

### Model DUC356

Poziom ciśnienia akustycznego (L<sub>PA</sub>): 89 dB(A)

Poziom mocy akustycznej (L<sub>WA</sub>): 103 dB (A)

Niepewność (K): 3dB(A)

### Model DUC406

Poziom ciśnienia akustycznego (L<sub>PA</sub>): 89 dB(A)

Poziom mocy akustycznej (L<sub>WA</sub>): 103 dB (A)

Niepewność (K): 3dB(A)

### Model DUC256C

Poziom ciśnienia akustycznego (L<sub>PA</sub>): 89 dB(A)

Poziom mocy akustycznej (L<sub>WA</sub>): 103 dB (A)

Niepewność (K): 3 dB(A)

**WSKAZÓWKA:** Deklarowana wartość emisji hałasu została zmierzona zgodnie ze standardową metodą testową i można ją wykorzystać do porównywania narzędzi.

**WSKAZÓWKA:** Deklarowaną wartość emisji hałasu można także wykorzystać we wstępnej ocenie narażenia.



**OSTRZEŻENIE:** Nosić ochronniki słuchu.



**OSTRZEŻENIE:** Poziom hałasu wytwarzanego podczas rzeczywistego użytkowania elektronarzędzia może się różnić od wartości deklarowanej w zależności od sposobu użytkowania narzędzia, a w szczególności od rodzaju obrabianego elementu.



**OSTRZEŻENIE:** W oparciu o szacowane narażenie w rzeczywistych warunkach użytkowania należy określić środki bezpieczeństwa w celu zapewnienia ochrony operatora (uwzględniając wszystkie elementy cyklu działania, tj. czas, kiedy narzędzie jest wyłączone i kiedy pracuje na biegu jałowym, a także czas, kiedy jest włączone).

## Drgania

Całkowita wartość wektorów w zgodnie z normą EN ISO 11681-2:

### Model DUC256

Tryb pracy: Cięcie drewna

Emisja drgań (a<sub>h,w</sub>): 3,2 m/s<sup>2</sup>

Niepewność (K): 1,5 m/s<sup>2</sup>

### Model DUC306

Tryb pracy: Cięcie drewna

Emisja drgań (a<sub>h,w</sub>): 3,2 m/s<sup>2</sup>

Niepewność (K): 1,5 m/s<sup>2</sup>

### Model DUC356

Tryb pracy: Cięcie drewna  
 Emisja drgań ( $a_{h,w}$ ): 3,2 m/s<sup>2</sup>  
 Niepewność (K): 1,5  
 m/s<sup>2</sup>

#### Model DUC406

Tryb pracy: Cięcie drewna  
 Emisja drgań ( $a_{h,w}$ ): 3,2 m/s<sup>2</sup>  
 Niepewność (K): 1,5  
 m/s<sup>2</sup>

#### Model DUC256C

Tryb pracy: Cięcie drewna  
 Emisja drgań ( $a_{h,w}$ ): 2,5 m/s<sup>2</sup> lub  
 mniej  
 Niepewność (K): 1,5 m/s<sup>2</sup>

**WSKAZÓWKA:** Deklarowaną wartość poziomu drgań została zmierzona zgodnie z standardową metodą testową i można ją wykorzystać do porównywania narzędzi.

**WSKAZÓWKA:** Deklarowaną wartość poziomu drgań można także wykorzystać we wstępnej ocenie narażenia.

**⚠️ OSTRZEŻENIE:** Drgania wytwarzane podczas rzeczywistego użytkowania elektronarzędzia mogą się różnić od wartości deklarowanej w zależności od sposobu użytkowania narzędzia, a w szczególności od rodzaju obrabianego elementu.

**⚠️ OSTRZEŻENIE:** W oparciu o szacowane narażenie w rzeczywistych warunkach użytkowania należy określić środki bezpieczeństwa w celu zapewnienia ochrony operatora (uwzględniając wszystkie elementy cyklu działania, tj. czas, kiedy narzędzie jest wyłączone i kiedy pracuje na biegu jałowym, a także czas, kiedy jest włączone).

### Deklaracja zgodności WE

#### Dotyczy tylko krajów europejskich

Deklaracja zgodności WE jest dołączona jako załącznik A do niniejszej instrukcji obsługi.

## OSTRZEŻENIA DOTYCZĄCE BEZPIECZEŃSTWA

### Ogólne zasady bezpiecznej eksploatacji elektronarzędzi

**⚠️ OSTRZEŻENIE:** Należy zapoznać się z ostrzeżeniami dotyczącymi bezpieczeństwa, instrukcjami, ilustracjami i danymi technicznymi dołączonymi do tego elektronarzędzia. Niezastosowanie się do podanych poniżej instrukcji może prowadzić do porażenia prądem, pożaru i/lub poważnych obrażeń ciała.

### Wszystkie ostrzeżenia i instrukcje należy zachować do wykorzystania w przyszłości.

Pojęcie „elektronarzędzie”, występujące w wymienionych tu ostrzeżeniach, odnosi się do elektronarzędzia zasilanego z sieci elektrycznej (z przewodem zasilającym) lub do elektronarzędzia akumulatorowego (bez przewodu zasilającego).

### Ostrzeżenia dotyczące bezpieczeństwa dla akumulatorowej pilarki łańcuchowej

1. Przy włączonej pilarce łańcuchowej należy trzymać wszystkie części ciała z dala od łańcucha tnącego. Przed rozpoczęciem pracy z pilarką łańcuchową należy upewnić się, że łańcuch tnący niczego nie dotyka. Chwila nieuwagi podczas pracy pilarki może spowodować pochwycenie części ubrania lub ciała.
2. Prawa ręka powinna zawsze spoczywać na górnej rękojeści pilarki łańcuchowej, a lewa na przedniej. Trzymanie pilarki łańcuchowej odwrotnie zwiększa ryzyko powstania obrażeń ciała i absolutnie nie powinno być praktykowane.
3. Ponieważ łańcuch tnący może zetknąć się z ukrytymi przewodami elektrycznymi, elektronarzędzie należy trzymać tylko za izolowane uchwyty. Zetknięcie łańcucha tnącego z przewodem elektrycznym znajdującym się pod napięciem

- spowoduje, że odsłonięte elementy metalowe elektronarzędzia również znajdują się pod napięciem, grożąc porażeniem operatorem prądem elektrycznym.
4. **Używać okularów ochronnych i ochronników słuchu.** Zaleca się używanie dodatkowego wyposażenia chroniącego głowę, ręce, nogi i stopy. Odpowiednia odzież ochronna obniża ryzyko powstania obrażeń ciała powodowanych odpryskami lub przypadkowym dotknięciem łańcucha tnącego.
5. **Zawsze należy układać stopy w taki sposób i w takich miejscach, aby zapewnić sobie odpowiednie podparcie.**
6. **Podczas cięcia naprężonych gałęzi należy uważać na ich odskakowanie do swojego położenia.** Kiedy naprężenie gałęzi zostanie zwolnione, gałąź może uderzyć operatora, a także wyrwać pilarkę łańcuchową spod kontroli.
7. **Należy bardzo uważać podczas cięcia krzaków i młodych drzewek.** Cienkie gałązki mogą zostać pochwycone przez łańcuch tnący i uderzyć operatora lub wytrącić go z równowagi.
8. **Pilarkę łańcuchową należy przenieść wyłączoną, trzymając ją za uchwyt przedni i z dala od siebie. Podczas transportowania lub przechowywania pilarki łańcuchowej należy zawsze zakładać pokrywę prowadnicy.** Prawidłowe obchodzenie się z pilarką łańcuchową zmniejsza prawdopodobieństwo przypadkowego dotknięcia poruszającego się łańcucha tnącego.
9. **Smarowanie, napinanie łańcucha i wymianę osprzętu należy przeprowadzać zgodnie z instrukcjami.** Nieprawidłowo napięty lub nasmarowany łańcuch może się zerwać lub zwiększyć ryzyko odrzutu.
10. **Utrzymywać rękojeści suche, czyste i niezabrudzone olejem ani smarem.** Tłuste uchwyty są śliskie i powodują utratę panowania nad narzędziem.
11. **Dozwolone jest wyłącznie cięcie drewna. Nie używać tej pilarki łańcuchowej niezgodnie z jej przeznaczeniem.** Na przykład: nie używać pilarki łańcuchowej do cięcia tworzyw sztucznych, cegieł
- ani innych materiałów budowlanych innych niż drewno. Używanie pilarki łańcuchowej do zastosowań innych niż przewidziane może powodować zagrożenie.
12. **Przyczyny odrzutu i zapobieganie odrzutowi:**
- Odrzut może powstawać, kiedy nos lub końcówka prowadnicy dotyka czegóż lub kiedy łańcuch tnący zakleszczy się w ciętym drewnie. Kontakt z końcówką prowadnicy może nieraz spowodować gwałtowną reakcję wstecz, przez co prowadnica odskoczy do tyłu w kierunku użytkownika. Zakleszczenie się łańcucha tnącego na gorze prowadnicy może gwałtownie odepchnąć prowadnicę do tyłu w kierunku użytkownika. Każda z tych reakcji może spowodować utratę panowania nad pilarką, co grozi poważnymi obrażeniami ciała. Nie wolno polegać wyłącznie na urządzeniach zabezpieczających, w które pilarka jest wyposażona. Użytkownik pilarki łańcuchowej musi podjąć szereg kroków, aby nie dopuścić do wypadków ani obrażeń podczas pracy.
- Odrzut jest wynikiem nieprawidłowej eksploatacji narzędzia i/lub niewłaściwych warunków jego obsługi. Można go uniknąć, podejmując odpowiednie podane poniżej, środki ostrożności:
- Należy trzymać narzędzie mocno i silnie obejmując kciukami i pozostałymi palcami uchwyty pilarki oraz ustawiając całe ciało i ramiona w taki sposób, aby siłom odrzutu. Użytkownik może kontrolować siły odrzutu, jeśli zostaną podjęte odpowiednie środki ostrożności.
  - Nie wypuszczaj pilarki łańcuchowej.
- Rys.1**

- Nie wolno sięgać pilarką zbyt daleko ani nie ciąć powyżej wysokości ramion. Pomoże to zapobiec przypadkowemu kontaktowi końcówki i zapewni lepszą kontrolę nad pilarką łańcuchową w nieoczekiwanych sytuacjach.
- Stosować wyłącznie zamienne prowadnice i łańcuchy zalecane przez producenta. Stosowanie nieodpowiednich prowadnic i łańcuchów może powodować zrywanie się łańcucha i/lub odrzuty.
- Należy przestrzegać instrukcji producenta dotyczących ostrzeżeń i konserwacji pilarki łańcuchowej. Zmniejszenie wysokości ogranicznika głębokości cięcia może prowadzić do zwiększenia odrzutu.

**13. Przed przystąpieniem do pracy należy sprawdzić, czy pilarka łańcuchowa jest sprawna i czy jej stan jest zgodny z przepisami dotyczącymi bezpieczeństwa. W szczególności sprawdzić, czy:**

- hamulec łańcucha działa prawidłowo;
- hamulec wybiegu działa prawidłowo;
- prowadnica i łańcuchowego są pokrywa koła prawidłowo zamontowane;
- łańcuch został naciągnięty zgodnie z przepisami.

**14. Nie uruchamiać pilarki łańcuchowej z założoną osłoną łańcucha.** Uruchomienie pilarki łańcuchowej z założoną osłoną łańcucha może spowodować wyrzucenie osłony do przodu, a tym samym obrażenia osób lub zniszczenie przedmiotów znajdujących się wokół użytkownika.

**Dodatkowe ostrzeżenia dotyczące bezpieczeństwa:**

1. Używając narzędzia z adapterem akumulatora, należy podczas pracy uważać, aby nie potknąć się o przewód.
2. Używając narzędzia z adapterem akumulatora, podczas pracy przewód należy prowadzić z dala od przeszkód takich jak obrabiany element czy gałęzie. Zaplątanie się przewodu o przeszkodę może spowodować poważne obrażenia.

## Ostrzeżenia dotyczące pilarki łańcuchowej z rękojeścią górną

1. Ta pilarka łańcuchowa jest przeznaczona przede wszystkim do cięcia pielęgnacyjnego i prac arborystycznych. Ta pilarka jest przeznaczona do użytku wyłącznie przez odpowiednio przeszkolone osoby. Należy przestrzegać wszystkich instrukcji, procedur i zaleceń wydawanych przez właściwe organizacje zawodowe. Nieprzestrzeganie ich może prowadzić do wypadków o skutkach śmiertelnych. W przypadku cięcia w gałęziach drzew zalecane jest korzystanie z platformy podnoszonej (żuraw wysięgnikowy, podnośnik). Prace z wykorzystaniem technik linowych są ekstremalnie niebezpieczne, a w celu ich wykonywania wymagane jest specjalne przeszkolenie. Operatorzy muszą być przeszkoleni z zakresu korzystania ze sprzętu zabezpieczającego oraz technik wspinaczkowych. Podczas pracy w drzewach zawsze należy używać odpowiednich uprząży, lin i karabińczyków. Zawsze należy stosować sprzęt chroniący przed upadkiem z wysokości, którym musi być zabezpieczony zarówno operator, jak i pilarka.
2. Przed rozpoczęciem przechowywania zawsze należy wykonać czynności z zakresu czyszczenia i konserwacji zgodnie z instrukcją obsługi.
3. Podczas transportu pilarki łańcuchowej w samochodzie należy upewnić się, że jest ona ustawiona w sposób, który zapobiegnie wyciekom paliwa lub oleju, a także uszkodzeniom narzędzi i obrażeniom u ludzi.
4. Należy regularnie sprawdzać działanie hamulca łańcucha.
5. Oleju łańcuchowego nie należy nalewać w pobliżu ognia. Nie palić papierosów podczas nalewania oleju łańcuchowego.
6. Przepisy krajowe mogą ograniczać korzystanie z pilarki łańcuchowej.
7. W przypadku silnego uderzenia urządzeniem lub jego upadku należy sprawdzić jego stan przed przystąpieniem do kontynuowania pracy. Sprawdzić elementy sterujące i urządzenia zabezpieczające pod kątem usterek. W przypadku stwierdzenia uszkodzenia lub wątpliwości co do prawidłowej pracy narzędzia należy zwrócić się do autoryzowanego centrum serwisowego w celu przeprowadzenia przeglądu i naprawy.
8. Przed uruchomieniem pilarki łańcuchowej zawsze należy aktywować hamulec łańcucha.
9. Pilarkę należy mocno trzymać, aby eliminować jej ruchy na boki (poślizg) oraz odbijanie od gałęzi przy rozpoczęciu cięcia.
10. Na koniec cięcia należy zachować ostrożność, aby nie stracić równowagi z powodu nagłej utraty oparcia dla prowadnicy.

11. Uwzględnić kierunek i prędkość wiatru. Wiatr może roznosić trociny i mgiełkę oleju łańcuchowego, których należy unikać.

drabinach, a także podczas wspinania z użyciem lin.

### Środki ochrony osobistej

1. W celu uniknięcia obrażeń głowy, rąk i stóp oraz ochrony wzroku i słuchu, podczas pracy z pilarką spalinową należy stosować następujące środki ochrony osobistej:

- Odzież powinna być odpowiednio dobrana, tj. nie powinna być luźna, ale nie może też ograniczać ruchów. Nie nosić biżuterii ani odzieży, która mogłaby się zaplątać w wysokich krzakach i zaroślach. Osoby długimi włosami zawsze powinny nosić siatkę na włosy!
- Podczas pracy z pilarką łańcuchową zawsze nosić kask ochronny. **Kask ochronny** należy regularnie sprawdzać pod kątem uszkodzeń i wymieniać nie rzadziej niż co 5 lat. Stosować wyłącznie atestowane kaski ochronne.
- **Osłona twarzy** w kasku ochronnym (albo gogle ochronne) chroni przed wiórami i trocinami. Podczas obsługi pilarki łańcuchowej zawsze należy korzystać z gogli ochronnych albo osłony twarzy do ochrony przed urazami oczu.
- Stosować odpowiednie **ochronniki słuchu** (nauszniki, zatyczki do uszu itp.)
- **Kurtka ochronna** składa się z 22 warstw nylonu i chroni operatora przed przecięciami. Należy ją nosić podczas prac wykonywanych z platform podnoszonych (żuraw wysięgnikowy, podnośnik), platform na

— **Spodnie z szelkami i napierśnikiem** są wykonane z 22 warstw tkaniny nylonowej i chronią przed przecięciami. Zdecydowanie zalecamy korzystanie z takich

— **Rękawice ochronne** wykonane z grubej skóry są częścią opisywanego sprzętu i muszą być zawsze noszone podczas pracy z użyciem pilarki łańcuchowej.

— Podczas obsługi pilarki łańcuchowej zawsze

należy nosić **obuwie ochronne** lub **buty robocze** z antypoślizgowymi podeszwami, stalowymi noskami i osłoną goleni. Obuwie ochronne z warstwą ochronną zapewnia ochronę przed skaleczeniami i zapewnia stabilność postawy. W przypadku pracy w drzewach buty robocze muszą być odpowiednie do wspinania.

### Drgania

1. U osób ze słabym krążeniem nadmierne drgania mogą spowodować urazy naczyń krwionośnych albo układu nerwowego. Drgania mogą spowodować wystąpienie następujących objawów w palcach, dłoniach lub nadgarstkach: „zasypianie” (drętwienie), mrowienie, bóle, wrazenie klucia, zmiany w zabarwieniu skóry lub zmiany na skórze. **W przypadku wystąpienia któregokolwiek z powyższych objawów należy zgłosić się do lekarza!** W celu zmniejszenia ryzyka wystąpienia „choroby białych palców” należy zapobiegać wyziębieniu dłoni oraz zapewnić prawidłowy stan sprzętu i akcesoriów.

# ZACHOWAĆ NINIEJSZE INSTRUKCJE.

**⚠ OSTRZEŻENIE:** NIE WOLNO pozwolić, aby wygoda lub rutyna (nabyta w wyniku wielokrotnego używania urządzenia) zastąpiły ściśle przestrzeganie zasad bezpieczeństwa obsługi. **NIEWŁAŚCIWE UŻYTKOWANIE** narzędzia lub niestosowanie się do zasad bezpieczeństwa podanych w niniejszej instrukcji obsługi może prowadzić do poważnych obrażeń ciała.

## Ważne zasady bezpieczeństwa dotyczące akumulatora

1. Przed użyciem akumulatora zapoznać się ze wszystkimi instrukcjami i znakami ostrzegawczymi na (1) ładowarce, (2) akumulatorze i (3) produkcie, w którym będzie używany akumulator.
2. Akumulatora nie wolno rozbierać.
3. Jeśli czas działania uległ znacznemu skróceniu, należy natychmiast przerwać pracę. Może bowiem dojść do przegrzania, ewentualnych poparzeń, a nawet eksplozji.
4. W przypadku przedostania się elektrolitu do oczu, przemyć je czystą wodą i niezwłocznie uzyskać pomoc lekarską. Może on bowiem spowodować utratę wzroku.
5. Nie doprowadzać do zwarcia akumulatora:
  - (1) Nie dotykać styków materiałami przewodzącymi prąd.
  - (2) Unikać przechowywania akumulatora w pojemniku z metalowymi przedmiotami, takimi jak gwoździe, monety itp.
  - (3) Chronić akumulator przed deszczem lub wodą.Zwarcie prowadzi do przepływu prądu elektrycznego o dużym natężeniu i przegrzania akumulatora, co w konsekwencji może grozić poparzeniami a nawet awarią urządzenia.
6. Narzędzia i akumulatora nie wolno przechowywać w miejscach, w których temperatura osiąga bądź przekracza 50°C (122°F).
7. Akumulatorów nie wolno spalać, również tych poważnie uszkodzonych lub całkowicie zużytych. Akumulator może eksplodować w ogniu.
8. Chronić akumulator przed upadkiem i uderzeniami.
9. Nie wolno używać uszkodzonego akumulatora.
10. Stanowiące wyposażenie akumulatory litowo-jonowe podlegają przepisom dotyczącym produktów niebezpiecznych. Na potrzeby transportu komercyjnego, np.

świadczonego przez firmy trzecie czy spedycyjne, należy przestrzegać specjalnych wymagań w zakresie pakowania i oznaczania etykietami. Przygotowanie produktu do wysyłki wymaga skonsultowania się ze specjalistą ds. materiałów niebezpiecznych. Należy także przestrzegać przepisów krajowych, które mogą być bardziej szczegółowe. Zakleić taśmą lub zaślepić otwarte styki akumulatora oraz zabezpieczyć go, aby nie mógł się przesuwać w opakowaniu.

11. Jeśli zajdzie konieczność utylizacji akumulatora, należy wyjąć go z narzędzia i przekazać w bezpieczne miejsce. Postępować zgodnie z przepisami lokalnymi dotyczącymi utylizacji akumulatorów.
12. Używać akumulatorów tylko z produktami określonymi przez firmę Makita. Zastosowanie akumulatorów w niezgodnych produktach może spowodować pożar, przegrzanie, wybuch lub wyciek elektrolitu.
13. Jeśli narzędzie nie będzie używane przez dłuższy czas, należy wyjąć z niego akumulator.

# ZACHOWAĆ NINIEJSZE INSTRUKCJE.

**⚠ PRZESTROGA:** Używać wyłącznie oryginalnych akumulatorów firmy Makita. Używanie nieoryginalnych akumulatorów firm innych niż Makita lub akumulatorów, które zostały zmodyfikowane, może spowodować wybuch i pożar, obrażenia ciała oraz zniszczenie mienia. Stanowi to również naruszenie warunków gwarancji firmy Makita dotyczących narzędzia i ładowarki.

## Wskazówki dotyczące zachowania maksymalnej trwałości akumulatora

1. Akumulator należy naładować zanim zostanie do końca rozładowany. Po zauważeniu spadku mocy narzędzia należy przerwać pracę i naładować akumulator.
2. Nie wolno ładować powtórnie w pełni naładowanego akumulatora. Przeladowanie akumulatora skraca jego trwałość.

3. Akumulator należy ładować w temperaturze pokojowej w przedziale 10–40°C (50–104°F). W przypadku gorącego akumulatora przed przystąpieniem do ładowania należy poczekać, aż ostygnie.
4. Akumulatory niklowo-wodorkowe należy naładować po okresie długiego nieużytkowania (dłuższego niż sześć miesięcy).

miejscu, co jest sygnalizowane delikatnym kliknięciem. Jeśli w górnej części przycisku jest widoczny czerwony wskaźnik, akumulator nie został całkowicie zatrzęsnięty.

## OPIS CZĘŚCI

Rys.2

1	Wskaźnik akumulatora	2	Przycisk kontrolny	3	Spust przełącznika
4	Rękojeść górna	5	Dźwignia blokady włączenia	6	Przednia osłona ręki
7	Prowadnica	8	Łańcuch tnący	9	Chwytnak łańcucha
10	Nakrętka mocująca	11	Śruba regulacji łańcucha	12	Akumulator
13	Główna kontrolka zasilania	14	Wskaźnik trybu	15	Główny przełącznik zasilania
16	Nasadka	17	Śruba regulacyjna (pompy oleju)	18	Zaczep na karabińczyk
19	Uchwyt przedni	20	Korek zbiornika oleju	21	Zderzak zębaty
22	Osłona prowadnicy	-	-	-	-

## OPIS DZIAŁANIA

**⚠ PRZESTROGA:** Przed przystąpieniem do regulacji lub przeglądu narzędzia upewnij się, że jest ono wyłączone, a akumulator został wyjęty.

### Wkładanie i wyjmowanie akumulatora

**⚠ PRZESTROGA:** Przed włożeniem lub wyjęciem akumulatora należy zawsze wyłączyć narzędzie.

**⚠ PRZESTROGA:** Podczas wkładania lub wyjmowania akumulatora należy mocno trzymać narzędzie i akumulator.

W przeciwnym razie mogą się one wyslizgnąć z rąk, powodując uszkodzenie narzędzia lub akumulatora i obrażenia ciała.

**⚠ PRZESTROGA:** Akumulator należy włożyć do końca, tak aby czerwony wskaźnik nie był widoczny. W przeciwnym razie może przypadkowo wypaść z narzędzia, powodując obrażenia operatora lub osób postronnych.

**⚠ PRZESTROGA:** Nie wkładać akumulatora na siłę. Jeśli akumulatornie daje się swobodnie wsunąć, oznacza to, że został włożony nieprawidłowo.

### Wskazanie stanu naładowania akumulatora

- Rys.4:** 1. Wskaźnik akumulatora  
2. Przycisk kontrolny

Nacisnąć przycisk kontrolny, aby sprawdzić poziom

Rys.3: 1. Czerwony wskaźnik 2.

Przycisk

### 3. Akumulator

Aby wyjąć akumulator, przesuń przycisk znajdujący się w przedniej jego części i wysuń akumulator.

Aby włożyć akumulator, wyrównaj występ na akumulatorze z rowkiem w obudowie i wsuń go na swoje miejsce. Akumulator należy wsunąć do oporu, aż się zatrzęsnie na

naładowania akumulatora. Wskaźniki odpowiadają każdemu akumulatorowi.

od rzeczywistego stanu naładowania akumulatora.

Stan wskaźnika akumulatora			Stan naładowania akumulatora
Włączony	Wyłączony	Miga	
			50% do 100%
			20% do 50%
			0% do 20%
			Naładować akumulator.

## Wskazanie stanu naładowania akumulatora

Tylko w przypadku akumulatorów ze wskaźnikiem

► Rys.5: 1. Lampki wskaźnika 2.

Przycisk kontrolny

Nacisnąć przycisk kontrolny na akumulatorze w celu wyświetlenia stanu naładowania wskaźnika zaświecą się przez kilka

Lampki wskaźnika			Pozostała energia akumulatora
Świeci się	Wyłączony	Miga	
			75–100%
			50–75%
			25–50%
			0–25%

Lampki wskaźnika			Pozostała energia akumulatora
Świeci się	Wyłączony	Miga	
			Naładować akumulator.
			Akumulator może działać poprawnie.

**WSKAZÓWKA:** Zależnie od warunków

i	temperatury wskazywany nieznacznie	otoczenia, poziom się	może różnić
---	------------------------------------	-----------------------	-------------

## Układ zabezpieczenia narzędzia/akumulatora

Narzędzie jest wyposażone w układ zabezpieczenia narzędzia/akumulatora. Układ automatycznie odcina zasilanie w celu wydłużenia trwałości i akumulatora. Narzędzie zostanie automatycznie zatrzymane w następujących sytuacjach związanych z narzędziem lub akumulatorem:

## Zabezpieczenie przed przeciążeniem

W przypadku korzystania z akumulatora w sposób powodujący pobór wysokiego prądu automatycznie zatrzymane, a główna kontrolka zasilania będzie migać na zielono. W takiej sytuacji należy wyłączyć narzędzie i zaprzestać wykonywania czynności akumulatora. Następnie należy włączyć narzędzie w celu ponownego uruchomienia.

## Zabezpieczenie przed przegraniem

W przypadku przegrania narzędzia lub akumulatora narzędzie zostanie automatycznie zatrzymane, a główna kontrolka zasilania będzie świecić na czerwono. W takiej sytuacji należy odczekać, aż narzędzie ostygnie przed jego ponownym włączeniem.

**WSKAZÓWKA:** W otoczeniu o wysokiej temperaturze może zadziałać zabezpieczenie przed przegraniem i wówczas nastąpi automatyczne zatrzymanie narzędzia.

## Zabezpieczenie przed nadmiernym rozładowaniem

W przypadku niewystarczającego stanu naładowania akumulatora narzędzie zostanie automatycznie zatrzymane, a główna kontrolka zasilania będzie migać na czerwono. W takiej sytuacji należy wyjąć akumulator z narzędzia i naładować go.

## Główny przełącznik zasilania

**⚠ OSTRZEŻENIE:** Zawsze wyłączać główny przełącznik zasilania, gdy narzędzie nie jest używane.

Aby i zasilania, zacznie wyłączyć główny ▶  
 włączyć narzędzie, należy nacisnąć przytrzymać główny przycisk aż główna kontrolka zasilania świeci na zielono. Aby wyłączyć narzędzie, należy ponownie nacisnąć przełącznik zasilania.  
**Rys.6:** 1. Główna kontrolka zasilania 2. Wskaźnik przełącznik zasilania

**WSKAZÓWKA:** Główna kontrolka zasilania będzie migać na zielono w przypadku pociągnięcia spustu przełącznika, gdy warunki uniemożliwiają uruchomienie narzędzia. Ta kontrolka miga w każdej z poniższych sytuacji.

- W przypadku ustawienia głównego przełącznika zasilania w położeniu włączonym podczas trzymania wciśniętej dźwigni blokady włączenia i wciśniętego spustu przełącznika.
- W przypadku pociągnięcia przełącznika, gdy włączony jest hamulec łańcucha.
- W przypadku zwolnienia hamulca łańcucha podczas trzymania wciśniętej dźwigni blokady włączenia i wciśniętego spustu przełącznika.

**WSKAZÓWKA:** To narzędzie jest wyposażone w funkcję automatycznego wyłączenia. Aby nie dopuścić do przypadkowego uruchomienia, główny przełącznik zasilania automatycznie wyłącza narzędzie, jeśli spust przełącznika nie zostanie pociągnięty przez określony czas od włączenia głównego przełącznika zasilania.

Podczas cięcia grubych lub twardych gałęzi można używać trybu zwiększonego momentu obrotowego. Aby używać narzędzia w trybie zwiększonego momentu obrotowego, należy nacisnąć główny przełącznik zasilania, gdy narzędzie jest wyłączone, i przytrzymać go przez kilka sekund, aż wskaźnik trybu zaświeci się na zielono.

**WSKAZÓWKA:** Narzędzie może być używane w trybie zwiększonego momentu obrotowego przez maksymalnie 60 sekund. W zależności od warunków pracy ten tryb może zostać przełączony na tryb normalny w czasie krótszym niż 60 sekund.

**WSKAZÓWKA:** Jeśli po kilku sekundach naciskania głównego przełącznika zasilania wskaźnik trybu zacznie migać na zielono, oznacza to, że zwiększonego momentu obrotowego jest niedostępny. W takim przypadku należy postępować zgodnie z poniższymi instrukcjami.

- Tryb zwiększonego momentu obrotowego nie jest dostępny bezpośrednio po zakończeniu cięcia. Należy odczekać ponad 10 sekund a następnie ponownie nacisnąć i przytrzymać przez kilka sekund główny przełącznik zasilania.
- Jeśli tryb zwiększonego momentu obrotowego zostanie użyty kilkakrotnie, dalsze użycie będzie ograniczone w celu ochrony przed rozładowaniem akumulatora. Jeśli po upływie ponad 10 sekund tryb zwiększonego momentu obrotowego jest niedostępny, należy wymienić akumulator na pełni naładowany albo należy naładować akumulator.

**WSKAZÓWKA:** Jeśli główna kontrolka zasilania zaświeci się na czerwono albo zacznie migać na zielono, należy zapoznać się z instrukcją obsługi układu zabezpieczenia narzędzia/akumulatora.

### Działanie przełącznika

**▲OSTRZEŻENIE:** Ze względów bezpieczeństwa narzędzie jest wyposażone w dźwignię blokady włączenia, która zapobiega przypadkowemu uruchomieniu narzędzia. **NIE WOLNO** używać narzędzia, jeśli można je uruchomić tylko za pomocą spustu przełącznika bez uprzedniego wciśnięcia dźwigni blokady włączenia. **PRZED** dalszym użytkowaniem narzędzia należy przekazać je do naszego autoryzowanego punktu serwisowego w celu naprawy.

**▲OSTRZEŻENIE:** **NIE WOLNO** zaklejać dźwigni blokady taśmą ani w inny sposób blokować jej działania.

**▲PRZESTROGA:** Przed włożeniem akumulatora do narzędzia należy zawsze sprawdzić, czy spust przełącznika działa prawidłowo i czy powraca do położenia wyłączenia po jego zwolnieniu.

**UWAGA:** Nie ciągnąć na siłę spustu przełącznika bez wcześniejszego wciśnięcia dźwigni blokady. Można w ten sposób połamać przełącznik.

Aby nie dopuścić do przypadkowego pociągnięcia spustu przełącznika, narzędzie jest wyposażone w dźwignię blokady włączenia. Aby uruchomić narzędzie, należy zwolnić dźwignię blokady włączenia i pociągnąć spust przełącznika. Prędkość narzędzia zwiększa się wraz ze zwiększaniem nacisku na spust przełącznika. W celu zatrzymania urządzenia wystarczy zwolnić spust przełącznika.

► **Rys.7:** 1. Spust przełącznika  
2. Dźwignia blokady włączenia

### Kontrola hamulca wybiegu

**▲PRZESTROGA:** Pilarkę łańcuchową w trakcie włączania należy trzymać oburącz. Prawa ręka powinna spoczywać na górnej rękojeści, a lewa ręka na przedniej. Prowadnica i łańcuch nie mogą stykać się z żadnym przedmiotem.

**▲PRZESTROGA:** Jeżeli łańcuch pilarki nie zatrzyma się od razu po przeprowadzeniu tej próby, w żadnym wypadku nie wolno używać tej pilarki. Skontaktować się z autoryzowanym punktem serwisowym.

1. Nacisnąć dźwignię blokady włączenia i przełącznika. Łańcuch tnący począć się poruszać.
  2. Popchnąć w przód przednią osłonę ręki wierzchem dłoni. Upewnić się, że pilarka łańcuchowa zatrzyma się natychmiast.
- **Rys.8:** 1. Przednia osłona ręki  
2. Położenie odblokowania  
3. Położenie zablokowania

**▲PRZESTROGA:** Jeśli łańcuch tnący nie zatrzymuje się w ciągu dwóch sekund podczas tej próby, należy niezwłocznie zaprzestać użytkowania pilarki łańcuchowej i skontaktować się z naszym autoryzowanym punktem serwisowym.

Uruchomić pilarkę łańcuchową, a następnie całkowicie zwolnić spust przełącznika. Łańcuch tnący musi się zatrzymać w ciągu dwóch sekund.

### Regulacja smarowania łańcucha

Szybkość zasilania pompy oleju można wyregulować, obracając śrubę regulacyjną kluczem uniwersalnym. Ilość oleju można wyregulować w 3 krokach. Otworzyć nasadkę, aby wyregulować śrubę

regulacyjną. ► **Rys.9:** 1. Nasadka 2.  
Śruba regulacyjna

## Zaczepek na karabińczyk (punkt mocowania liny)

Narzędzie można zawiesić, dołączając linę do zaczepu na karabińczyk. Zaczepek należy pociągnąć w górę, a następnie zawiązać do niego linę.

► **Rys.10:** 1. Zaczepek na karabińczyk

## Zderzak zębaty

Narzędzie jest standardowo wyposażone w zderzak zębaty. Jeśli zachodzi potrzeba wymiany zderzaka zębatego, należy zlecić ją serwisowemu punktowemu firmie Makita. Podczas cięcia należy zaciepić zderzak zębaty w pniu i używać go jako dźwigni.

## Funkcja regulacji elektronicznej

Narzędzie jest wyposażone w funkcje regulacji elektronicznej ułatwiającej jego obsługę.

- Kontrola stałej prędkości
- Funkcja regulacji prędkości zapewnia stałą prędkość obrotową niezależnie od warunków obciążenia.

## MONTAŻ

**⚠ PRZESTROGA:** Przed przystąpieniem do prac konserwacyjnych przy narzędziu upewnić się, że jest ono wyłączone, a akumulator został wyjęty.

**⚠ PRZESTROGA:** Nie dotykać łańcucha tnącego gołymi rękoma. Podczas obsługi łańcucha tnącego zawsze należy nosić rękawice ochronne.

## Zdejmowanie i zakładanie łańcucha tnącego

**⚠ PRZESTROGA:** Łańcuch tnący i prowadnica są gorące po zakończeniu pracy. Poczekać na ich ostygnięcie przed przystąpieniem do przeprowadzania jakichkolwiek prac przy narzędziu.

**PRZESTROGA:** Procedurę zakładania i zdejmowania łańcucha tnącego należy przeprowadzać w czystym miejscu, wolnym od trocin itp.

Aby zdjąć łańcuch tnący, należy wykonać następującą procedurę:

1. Zwolnić hamulec łańcucha, pociągając przednią osłonę ręki.
2. Poluzować śrubę regulacji łańcucha, a następnie nakrętkę mocującą.

► **Rys.11:** 1. Śruba regulacji łańcucha 2. Nakrętka mocująca

3. Wyjąć pokrywę koła łańcuchowego, a następnie łańcuch tnący i korpusu prowadnicę z pilarki łańcuchowej.

Aby założyć łańcuch tnący, należy wykonać poniższą procedurę:

1. Sprawdzić kierunek łańcucha tnącego. Dopasować kierunek łańcucha tnącego do znaku na korpusie pilarki łańcuchowej.

2. Zamocować jeden koniec łańcucha tnącego na górze prowadnicy.

3. Drugi koniec łańcucha tnącego owinąć wokół koła łańcuchowego, a

następnie zamocować prowadnicę do korpusu pilarki, wyrównując z otwór na prowadnicy z

kołkiem na korpusie. ► **Rys.12:** 1. Koło łańcuchowe 2. Otwór

4. Wprowadzić występek i kolek na pokrywę koła łańcuchowego do korpusu pilarki łańcuchowej, a następnie zamknąć pokrywę w taki sposób, aby śruba i kolek na korpusie spotkały się z ich odpowiednikami na pokrywie.

► **Rys.13:** 1. Występek 2. Pokrywa koła łańcuchowego 3. Śruba 4. Kolek

5. Dokręcić nakrętkę mocującą, aby unieruchomić pokrywę koła łańcuchowego, a następnie poluzować ją nieznacznie, aby wyregulować naciąg łańcucha. ► **Rys.14:** 1. Nakrętka mocująca

## Regulacja napięcia łańcucha tnącego

**PRZESTROGA:** Nie napinać łańcucha tnącego zbyt mocno. Nadmierne napięcie łańcucha tnącego może prowadzić do zerwania łańcucha tnącego oraz zużycia prowadnicy.

**PRZESTROGA:** Za luźny łańcuch może zeskoczyć z prowadnicy i spowodować obrażenia ciała.

Po wielu godzinach pracy łańcuch tnący może zrobić się luźny. Od czasu do czasu przed przystąpieniem do pracy należy skontrolować napięcie łańcucha.

1. Zwolnić hamulec pociągając przednią łańcucha, osłonę ręki.
2. Nieznacznie poluzować nakrętkę mocującą, aby poluzować pokrywę koła łańcuchowego. ► **Rys.15:**

1. Nakrętka mocująca
3. Podnieść lekko koniec prowadnicy i naciąg łańcucha. Wyregulować naciąg łańcucha. Obracanie śruby regulacji łańcucha w kierunku zgodnym z ruchem wskazówek zegara powoduje zwiększanie naciągu, a w kierunku przeciwnym — zmniejszanie naciągu.

### W przypadku ostrza łańcucha 90PX i 91PX:

Napiąć łańcuch tnący tak, aby dolna część łańcucha tnącego znalazła się w sposób szynie przewodnicy w sposób pokazany na rysunku. ► **Rys.16:** 1. Prowadnica 2. Łańcuch tnący 3. Śruba regulacji łańcucha

### W przypadku ostrza łańcucha 25AP:

Napiąć łańcuch tnący tak, aby odstęp między środkiem dolnej strony prowadnicy a łańcuchem tnącym wynosił od około 1 mm do około 2 mm.

4. Przytrzymując lekko prowadnicę, napiąć pokrywę koła łańcuchowego.

### W przypadku ostrza łańcucha 90PX i 91PX:

Upewnić się, że dolna część łańcucha tnącego się nie poluzowała.

### W przypadku ostrza łańcucha 25AP:

Dopilnować, aby odstęp między środkiem dolnej strony prowadnicy a łańcuchem tnącym wynosił od

około 1 mm do około 2 mm.

5. Dokręcić nakrętkę mocującą, aby zamocować pokrywę koła łańcuchowego.

► **Rys.17:** 1. Nakrętka mocująca

## OBSŁUGA

### Smarowanie

Podczas pracy łańcuch tnący jest smarowany automatycznie. Okresowo należy sprawdzać ilość oleju w zbiorniku oleju przez okienko kontrolne oleju. W celu uzupełnienia zbiornika położyć pilarkę łańcuchową na boku, a następnie nacisnąć i wykręcić korek zbiornika oleju. Odpowiednia ilość oleju to 200 ml. Po uzupełnieniu należy dobrze zakręcić korek zbiornika oleju.

► **Rys.18:** 1. Korek zbiornika oleju 2. Okienko kontrolne oleju

Po uzupełnieniu należy stanąć z pilarką łańcuchową z dala od drzewa. Następnie należy uruchomić pilarkę i zaczekać, aż łańcuch tnący zostanie wystarczająco nasmarowany. ► **Rys.19**

**UWAGA:** W przypadku pierwszego napełnienia pilarki olejem do smarowania łańcucha lub uzupełnienia zbiornika po jego całkowitym opróżnieniu należy wlać olej do poziomu dolnej krawędzi szyjki wlewu. W przeciwnym razie dostarczanie oleju może ulec pogorszeniu.

**UWAGA:** Do smarowania należy używać wyłącznie oleju do pilarek łańcuchowych firmy Makita lub odpowiednich olejów dostępnych na rynku.

**UWAGA:** Nie wolno używać oleju zanieczyszczonego pyłem lub innymi cząstkami ani też olejów lotnych.

**UWAGA:** Do przycinania drzew należy używać oleju roślinnego. Olej mineralny może szkodzić roślinom.

**UWAGA:** Przed przystąpieniem do cięcia należy sprawdzić, czy korek zbiornika oleju jest przykręcony.

## PRACA PRZY UŻYCIU PILARKI ŁAŃCUCHOWEJ

**PRZESTROGA:** Przy włączonym silniku należy trzymać wszystkie części ciała z dala od łańcucha tnącego.

**PRZESTROGA:** Przy włączonym silniku pilarkę łańcuchową należy trzymać mocno oburącz.

**PRZESTROGA:** Nie sięgać zbyt daleko. Zawsze stać na pewnym podłożu i utrzymywać równowagę.

**UWAGA:** Nie rzucać ani upuszczać narzędzia.

**UWAGA:** Nie zakrywać otworów wentylacyjnych narzędzia.

## Przycinanie drzew

Przed włączeniem narzędzia przyłożyć korpus pilarki łańcuchowej do ścinanej gałęzi. W przeciwnym razie spowoduje to bicie wzdlużne prowadnicy, doprowadzając do obrażeń ciała użytkownika. Ciąć drewno, przesuując pilarkę w dół, wykorzystując jej ciężar. ►

### Rys.20

Jeśli nie można przeciąć jednym cięciem: nieznacznie docisnąć ręką i kontynuować cięcie, a następnie nieznacznie wycofać łańcuch tnący. ► **Rys.21**

W przypadku cięcia grubych gałęzi należy najpierw wykonać wręb od dołu, a następnie wykonać końcowe cięcie od góry. ► **Rys.22**

W przypadku próby odcięcia grubej gałęzi od góry gałąź może ścisnąć łańcuch tnący w przypadku próby odcięcia grubej gałęzi od góry bez wrębu od dołu gałąź może ulec rozłupaniu. ► **Rys.23**

## Przenoszenie narzędzia

Przed przeniesieniem narzędzia należy zawsze włączyć hamulec łańcucha i wyjąć akumulatory z narzędzia. Następnie należy założyć osłonę prowadnicy. Na akumulator także należy założyć pokrywę. ► **Rys.24:** 1. Osłona prowadnicy 2. Pokrywa akumulatora

## KONSERWACJA

**PRZESTROGA:** Przed przystąpieniem do przeglądu narzędzia lub jego konserwacji upewnić się, że jest ono wyłączone, a akumulator wyjęty.

**PRZESTROGA:** Podczas wykonywania przeglądu bądź konserwacji zawsze należy nosić rękawice.

**UWAGA:** Nie stosować benzyny, rozpuszczalników, alkoholu itp. środków. Mogą one powodować odbarwienia, odkształcenia lub pęknięcia.

W celu zachowania odpowiedniego poziomu BEZPIECZEŃSTWA i NIEZAWODNOŚCI produktu wszelkie naprawy i różnego rodzaju prace konserwacyjne lub regulacje powinny być przeprowadzane przez autoryzowany lub fabryczny punkt serwisowy narzędzi Makita, z użyciem oryginalnych części zamiennych Makita.

## Ostrzenie łańcucha tnącego

Łańcuch wymaga naostrzenia, gdy:

- podczas cięcia wilgotnego drewna powstają mączne trociny;
- łańcuch wchodzi w drewno z trudem, nawet gdy nacisk wywierany jest duży;
- krawędź rzazu jest w sposób wyraźny uszkodzona; drewnie ciągnie w lewą bądź w prawą stronę. (powodem takiego zachowania jest nierównomierne naostrzenie łańcucha pilarki lub uszkodzenie powstałe tylko z jednej strony)

Łańcuch pilarki należy często ostrzyć, zbierając za każdym razem tylko niewielką ilość materiału. W przypadku rutynowego ostrzenia zwykle wystarczają dwa lub trzy pociągnięcia pilnikiem. Gdy łańcuch tnący był ostrzony już kilka razy, należy zlecić jego naostrzenie w naszym autoryzowanym punkcie serwisowym.

**Kryteria ostrzenia:**

**OSTRZEŻENIE:** Zbyt duża odległość między krawędzią tnącą a ogranicznikiem głębokości zwiększa ryzyko odrzutów.

- **Rys.25:** 1. Długość zęba tnącego 2. Odległość pomiędzy

		krawędzią tnącą a ogranicznikiem głębokości 3. Minimalna długość tnącego (3 mm)	zęba (mm)	— Średnice pilników okrągłych dla poszczególnych tnących są następujące: • Ostrze łańcucha 4,5 mm	okrągłych dla łańcuchów następujące: • 90PX : 91PX mm
—	Długości	wszystkich zębów muszą być	tnących równe.	• Ostrze łańcucha : 4,0 mm	91PX mm
		Zęby różnych długościach powodują, że porusza się może ulec zerwaniu.	łańcuch nierówno i	• Ostrze łańcucha : 4,0 mm	25AP mm
—	Nie	ostrzyć łańcucha, gdy długość zęba wynosi 3 lub mniej. należy wymienić wiórów zależy odległości pomiędzy ogranicznikiem (okrągły czubek) krawędzią cięcia.	gdy tnącego mm Łańcuch na nowy. od	— Pilnik powinien ostrzyć tylko przód. Przy powrotnym pilnik od zęba	zależy od odsunąć
—	Grubość	ostrzenia	wynoszący 30°	— Ostrzenie należy zacząć od najkrótszego Wówczas długość zęba tnącego standardową wszystkich pozostałych tnących łańcucha tnącego.	zacząć od zęba tnącego. najkrótszego staje się długością dla zębów
—	Najlepsze	rezultaty się	uzyskuje przy poda-	— Pilnik zgodnie z rysunkiem. ► <b>Rys.27:</b> 1. Pilnik 2. Łańcuch tnący	►
nej	poniżej	odległości pomiędzy krawędzią tnącą a ogranicznikiem	głębokości.	— Pilnik można łatwiej prowadzić za pomocą prowadnika (akcesoria opcjonalne). Prowadnik pilnika do prawidłowego pod kątem (znaczniki powinny być równoległe do łańcucha pilarki). Ogranicza on również głębokość penetracji średnicy pilnika).	za znaczniki ostrzenia 30° być łańcucha pilarki). (do 4/5
		• Ostrze łańcucha : 0,65 mm	90PX	► <b>Rys.28:</b> 1. Prowadnik pilnika	
		• Ostrze łańcucha : 0,65 mm	91PX	— Po naostrzeniu łańcucha należy sprawdzić wysokość ogranicznika głębokości za pomocą specjalnego głębiomierza do łańcuchów (akcesoria opcjonalne).	
		• Ostrze łańcucha : 0,65 mm	25AP	► <b>Rys.29</b>	
—	Kąt	ostrzenia powinien być taki sam dla wszystkich zębów tnących. kątach zębów tnących powodują szarpanie i nierówną pracę łańcucha oraz przyspieszone zużycie i prowadzą do zrywania łańcucha.	30° Różnice w	— Zadziory, należy usunąć płaskim (akcesoria opcjonalne).	małe, specjalnym pilnikiem (akcesoria opcjonalne).
—	Używać	odpowiedniego pilnika, aby właściwy kąt zębów.	łańcucha	— Ponownie należy zaokrąglić przednią część ogranicznika głębokości.	
		• Ostrze łańcucha : 55°	90PX		
		• Ostrze łańcucha : 55°	91PX		
		• Ostrze łańcucha : 55°	25AP		

### Pilnik i prowadzenie pilnika

- Do ostrzenia łańcucha należy używać specjalnego okrągłego do łańcuchów tnących (akcesoria opcjonalne). Zwykle pilniki okrągłe nie nadają się do tego celu.

### Czyszczenie prowadnicy

- Wióry i trociny w rowku prowadnicy. one zatykać i pogarszać przepływ oleju. Za każdym razem podczas wymiany łańcucha z narzędzie z wiórów i trocin. ► **Rys.30**

## Czyszczenie pokrywy koła łańcuchowego

Wióry i trociny gromadzą się wewnątrz pokrywy koła łańcuchowego. Wymontować pokrywę koła łańcuchowego i łańcuch tnący z narzędziami, a następnie wyczyścić je z wiórów i trocin.

► **Rys.31**

## Czyszczenie otworu wylotowego oleju

Podczas eksploatacji maszyny w okolicy otworu wylotowego oleju może się gromadzić pył i zanieczyszczenia. Pył i zanieczyszczenia mogą pogarszać przepływ oleju, powodując tym samym niewystarczające smarowanie łańcucha tnącego. Jeżeli do górnej części prowadnicy dociera zbyt mała ilość oleju, wyczyścić otwór wylotowy oleju w następujący sposób.

1. Zdjąć z narzędzia pokrywę koła łańcuchowego i łańcuch tnący.
2. Usunąć pył i zanieczyszczenia przy użyciu płaskiego wkrętaka lub podobnego przyrządu. ► **Rys.32:**
1. Wkrętak płaski 2. Otwór wylotowy oleju
3. Włożyć akumulator do narzędzia. Pociągnąć za spust przelącznika, aby usunąć nagromadzony pył i zanieczyszczenia z otworu wylotowego oleju poprzez przepływ oleju.

## Instrukcje dotyczące konserwacji okresowej

Aby zapewnić długą żywotność narzędzia, zapobiec jego uszkodzeniu i zapewnić prawidłowe działanie wszystkich zabezpieczeń, należy regularnie wykonywać wymienione poniżej prace konserwacyjne. Roszczenia gwarancyjne mogą być uznane tylko, w przypadku gdy takie prace są wykonywane regularnie i w prawidłowy sposób. Niewykonywanie zalecanych prac konserwacyjnych może prowadzić do wypadków! Użytkownik pilarki łańcuchowej nie może wykonywać żadnych prac konserwacyjnych, które nie zostały opisane w niniejszej instrukcji obsługi. Wszelkie takie prace mogą być wykonywane tylko w naszym autoryzowanym punkcie serwisowym.

Element / czas wykonania	Przed rozpoczęciem pracy	Codziennie	Co tydzień	Co 3 miesiące	Raz w roku	Przed przechowywaniem
--------------------------	--------------------------	------------	------------	---------------	------------	-----------------------

4. Wyjąć akumulatorz narzędzia. Założyć z powrotem pokrywę koła łańcuchowego i łańcuch tnący.

## Wymiana koła łańcuchowego

**▲ PRZESTROGA:** Zużyte koło łańcuchowe spowoduje uszkodzenie nowego łańcucha tnącego. W takim przypadku należy zlecić wymianę koła łańcuchowego.

Przed zamontowaniem nowego łańcucha tnącego należy sprawdzić stan koła łańcuchowego. ► **Rys.33:** 1. Koło łańcuchowe 2. Obszary zużycia

Podczas wymiany koła łańcuchowego należy zawsze zamontować nowy pierścień zabezpieczający.

- **Rys.34:** 1. Pierścień zabezpieczający 2. Koło łańcuchowe

**UWAGA:** Upewnij się, że koło łańcuchowe jest zamontowane, jak pokazano na rysunku.

## Przechowywanie narzędzia

1. Przedłożeniem narzędzia do przechowywania należy je wyczyścić. Po zdjęciu z narzędzia pokrywy koła łańcuchowego należy je oczyścić z wiórów i trocin.
2. Po wyczyszczeniu narzędzia należy je uruchomić bez obciążenia, aby usunąć nasmarować łańcuch i prowadnicę.
3. Założyć osłonę prowadnicy na prowadnicę.
4. Opróżnić zbiornik oleju.

Pilarka łańcuchowa	Kontrola.	✓	-	-	-	-	-
	Czyszczenie.	-	✓	-	-	-	-
	Zlecić przegląd autoryzowanemu punktowi serwisowemu.	-	-	-	-	✓	✓
Łańcuch łańcuch	Kontrola.	✓	-	-	-	-	-
	Naostrzyć w razie konieczności.	-	-	-	-	-	✓
Prowadnica	Kontrola.	✓	✓	-	-	-	-
	Wymontować z pilarki łańcuchowej.	-	-	-	-	-	✓
Hamulec łańcucha	Sprawdzić działanie.	✓	-	-	-	-	-
	Zlecić regularną kontrolę autoryzowanemu punktowi serwisowemu.	-	-	-	✓	-	-
Smarowanie łańcucha	Sprawdzić szybkość zasilania olejem.	✓	-	-	-	-	-
Spust przełącznika	Kontrola.	✓	-	-	-	-	-
Dźwignia blokady włączenia	Kontrola.	✓	-	-	-	-	-
Korek zbiornika oleju	Sprawdzić dokręcenie.	✓	-	-	-	-	-
Chwytnak łańcucha	Kontrola.	-	-	✓	-	-	-
Śruby i nakrętki	Kontrola.	-	-	✓	-	-	-

## ROZWIĄZYWANIE PROBLEMÓW

Przed oddaniem urządzenia do naprawy należy najpierw przeprowadzić samodzielną kontrolę. W razie napotkania problemu, który nie został

wyjaśniony w instrukcji, nie należy próbować demontować urządzenia we własnym zakresie. Należy natomiast zlecić naprawę w autoryzowanym punkcie serwisowym firmy Makita; zawsze z użyciem oryginalnych części zamiennych Makita.

Stan usterki		Przyczyna	Działanie
Pilarka łańcuchowa nie uruchamia się.		Nie włożono akumulatora.	Włożyć naładowany akumulator.
		Problem z akumulatorem (za niskie napięcie).	Naładować akumulatory. Jeśli naładowanie akumulatora nie przynosi skutku, należy go wymienić.
		Główny przełącznik zasilania jest wyłączony.	Pilarka łańcuchowa wyłącza się automatycznie, nie jest używana przez określony czas. Włączyć jeszcze raz główny przełącznik zasilania.
Pilarka łańcuchowa nie działa.	Włączony hamulec łańcucha.	Zwolnić hamulec łańcucha.	
Silnik wyłącza się po krótkim czasie.	Niski poziom naładowania akumulatora.	Naładować akumulatory. Jeśli naładowanie akumulatora nie przynosi skutku, go wymienić.	
Brak oleju na łańcuchu.	Pusty zbiornik oleju.	Napełnić zbiornik oleju.	
	Zanieczyszczony rowek rozprzewadzający olej.	Oczyszczyć rowek.	
	Słaby przepływ oleju.	Wyregulować przepływ oleju regulacyjną śrubą.	
Pilarka łańcuchowa nie osiąga maksymalnej prędkości obrotowej.	Akumulator jest włożony nieprawidłowo.	Włożyć akumulatory zgodnie z opisem w niniejszej instrukcji.	
	Spada moc akumulatora.	Naładować akumulator. Jeśli naładowanie akumulatora nie przynosi skutku, go wymienić.	
	Układ napędowy nie działa prawidłowo.	Zlecić naprawę punktowi autoryzowanemu serwisowemu.	
Główna kontrolka zasilania miga zielono.	Spust przełącznika został pociągnięty, gdy warunki uniemożliwiają uruchomienie narzędzia.	Pociągnąć spust przełącznika po włączeniu głównego przełącznika zasilania i zwolnieniu hamulca łańcucha.	

Łańcuch nie zatrzymuje się, nawet włączeniu hamulca łańcucha: <b>Natychmiast wyłączyć narzędzie!</b>	Taśma hamulca jest zużyta.	Zlecić naprawę punktowi autoryzowanemu serwisowemu.
Nietypowe drgania: <b>Natychmiast wyłączyć narzędzie!</b>	Poluzować prowadnicę łańcuch lub tnącą.	Wyregulować napięcie tnącego. prowadnicę i łańcucha
	Nieprawidłowe działanie narzędzia.	Zlecić naprawę punktowi autoryzowanemu serwisowemu.
Tryb zwiększonego momentu obrotowego jest niedostępny po wymianie akumulatora na pełni naładowany.	W zależności od warunków pracy tryb zwiększonego momentu obrotowego jest niedostępny po wymianie akumulatora.	Narzędzia należy używać w trybie normalnym aż do rozładowania akumulatora, a następnie wymienić akumulator na pełni naładowany albo naładować akumulator.
Nie można założyć łańcucha tnącego.	Nieprawidłowa kombinacja łańcucha i koła łańcuchowego.	Należy użyć prawidłowej kombinacji łańcucha tnącego i łańcuchowego, odwołując się do części dotyczącej danych technicznych.

## AKCESORIA OPCJONALNE

**⚠ PRZESTROGA:** Zaleca się stosowanie wymienionych akcesoriów i przystawek razem z narzędziem Makita opisanym w niniejszej instrukcji. Stosowanie innych akcesoriów lub przystawek może być przyczyną obrażeń ciała. Akcesoria lub przystawki należy wykorzystywać tylko zgodnie z ich przeznaczeniem.

W razie potrzeby wszelkiej pomocy i szczegółowych informacji na temat niniejszych akcesoriów udzieli Państwu lokalne punkty serwisowe Makita.

- Łańcuch tnący
- Prowadnica
- Osłona prowadnicy
- Koło łańcuchowe
- Pilnik
- Oryginalny akumulator i ładowarka firmy Makita

**⚠ OSTRZEŻENIE:** W przypadku zakupu prowadnicy o innej długości niż standardowa należy również kupić odpowiednią osłonę prowadnicy. Osłona musi pasować i całkowicie osłaniać prowadnicę na pilarsce łańcuchowej.

**WSKAZÓWKI:** Niektóre pozycje znajdujące się na liście mogą być dołączone do pakietu narzędziowego jako akcesoria standardowe. Mogą to być różne pozycje, w zależności od kraju.

# MAGYAR (Eredeti utasítások)

## RÉSZLETES LEÍRÁS

Típus:		DUK256	DUK306	DUK356	DUK406	DUK256C
Teljes hossz (láncvezető nélkül)	270 mm					
Névleges feszültség	36 V, egyenáram					
Nettó tömeg	*1	4,2 kg				
	*2	4,6 - 4,8 kg	4,7 - 4,9 kg	4,8 - 5,0 kg	4,8 - 5,1 kg	4,6 - 4,7 kg
Standard láncvezető hossz	250 mm	300 mm	350 mm	400 mm	250 mm	
Javasolt láncvezető hossz	90PX esetén	250–400 mm				-
	91PX esetén	250–400 mm				-
	25AP esetén	-				250 mm
Alkalmazható (tájékoztató)	fűrészlánc az alábbi táblázatból)	90PX 91PX				25AP
Standard lánckerék	Fogak száma	6				9
	Osztás	3/8"				1/4"
Láncsebesség	0 - 20 m/s (0 - 1 200 m/min)					
A láncolajtartály	űrtartalma	200 cm <sup>3</sup>				

- Folyamatos kutató- és fejlesztőprogramunk eredményeként az itt felsorolt tulajdonságok figyelmeztetés nélkül megváltozhatnak.
- A műszaki adatok országról országra különbözhetnek.

\*1: Tömeg a legnagyobb akkumulátorral, üres olajtartállyal, vezetőrúd és lánc nélkül az EN ISO 11681-2 szerint. \*2: A legkisebb és legnagyobb tömeg kombinációja a 01/2014-es EPTA eljárás szerint. A súly a felszerelt tartozékoktól függően változhat, az akkumulátort is beleértve.

### Alkalmazható akkumulátorok

BL1830 / BL1830B / BL1840 / BL1840B / BL1850 / BL1850B / BL1860B

- Lakóhelyétől függően előfordulhat, hogy a fent felsorolt akkumulátorok nem érhetők el.



**FIGYELMEZTETÉS: Csak a fentiekben felsorolt akkumulátorokat használja.**

Bármilyen más

akkumulátor használata sérüléseket és/vagy tüzet okozhat.

### Fűrészlánc, vezetőrúd és lánckerék kombinációja

Fűrészlánc típusa		90PX			
Láncszemek száma		40	46	52	56
Vezetőrúd	Láncvezető lap hosszúsága	250 mm	300 mm	350 mm	400 mm

	Vágási hossz	238 mm	294 mm	350 mm	387 mm
	Osztás	3/8"			
	Mérce	1,1 mm			
	Típus	Fogaskerekes végű láncvezető			
Lánckerék	Fogak száma	6			
	Osztás	3/8"			
<b>Fűrészlánc típusa</b>		<b>91PX</b>			
Láncszemek száma		40	46	52	56
Vezetőrúd	Láncvezető lap hosszúsága	250 mm	300 mm	350 mm	400 mm
	Vágási hossz	238 mm	294 mm	350 mm	387 mm
	Osztás	3/8"			
	Mérce	1,3 mm			
	Típus	Fogaskerekes végű láncvezető			
Lánckerék	Fogak száma	6			
	Osztás	3/8"			
<b>Fűrészlánc típusa</b>		<b>25AP</b>			
Láncszemek száma		60			
Vezetőrúd	Láncvezető lap hosszúsága	250 mm			
	Vágási hossz	253 mm			
	Osztás	1/4"			
	Mérce	1,3 mm			
	Típus	Hajló rúd			
Lánckerék	Fogak száma	9			
	Osztás	1/4"			
<b>FIGYELMEZTETÉS:</b> Megfelelő láncvezető-fűrészlánc párosítást használjon. Ellenkező esetben személyi sérülést szenvedhet.					

## Szimbólumok

Li-ion Az elektromos berendezéseket háztartási szemétként kell kezelni. A következőkben a használt elektromos láthatók. Európai Unió

Ni-MH számára Csak EU-tagállamok számára akkumulátorokat ne dobja a szemétkosárba. A használt jelképek használata előtt

meg arról, hogy helyesen értelmezi a jelentésüket.

	Olvassa el a használati utasítást.
	Viseljen védőszemüveget.
	Viseljen fülvédőt.
	Viseljen sisakot, védőszemüveget és fülvédőt.
	Viseljen megfelelő védőfelszerelést használjon lábán-lábfején és kezén-karján.
	A fűrész csak megfelelően képzett kezelők használhatják.
	Ővja a készüléket eső és nedvesség hatásától.
	A legnagyobb megengedett vágáshossz
	Mindig két kézzel működtesse a láncfűrész.
	Ügyeljen a láncfűrész visszarúgására, és kerülje az érintkezést a láncvezetővel.
	A lánc mozgási iránya
	Láncolaj beállítása

bizonyosodjon és elektronikus berendezésekre vonat-

kozó irányelvei, illetve az elemekről és akkumulátorokról, valamint a hulladékkezelésről és akkumulátorokról szóló

## Rendeltetés

A szerszám ágak darabolására és fák metszésére használható. Gallyazásra is alkalmas.

## Zaj

A tipikus A-súlyozású zajszint, a EN ISO 11681-2 szerinti meghatározva:

### DUC256 típus

Hangnyomásszint ( $L_{pA}$ ): 89 dB(A)  
 Hangteljesítményszint ( $L_{WA}$ ): 103 dB(A)  
 Bizonytalanság (K): 3 dB(A)

### DUC306 típus

Hangnyomásszint ( $L_{pA}$ ): 89 dB(A)  
 Hangteljesítményszint ( $L_{WA}$ ): 103 dB(A)  
 Bizonytalanság (K): 3 dB(A)

### DUC356 típus

Hangnyomásszint ( $L_{pA}$ ): 89 dB(A)  
 Hangteljesítményszint ( $L_{WA}$ ): 103 dB(A)  
 Bizonytalanság (K): 3dB(A)

### DUC406 típus

Hangnyomásszint ( $L_{pA}$ ): 89 dB(A)  
 Hangteljesítményszint ( $L_{WA}$ ): 103 dB(A)  
 Bizonytalanság (K): 3dB(A)

### DUC256C típus

Hangnyomásszint ( $L_{pA}$ ): 89 dB(A)  
 Hangteljesítményszint (L):  
 Bizonytalanság (K): 3 dB(A)

**MEGJEGYZÉS:** A zajkibocsátás értéke a szabványos visz-

irányelv, továbbá azoknak a nemzeti jogba való átültetése szerint az elhasznált elektromos berendezéseket, elemeket és akkumulátorokat külön kell gyűjteni, és környezetbarát módon kell gondoskodni újrahasznosításukról.

gálati eljárásnak megfelelően lett mérve, és segítségével az elektromos kéziszerszámok összehasonlíthatók egymással.

**MEGJEGYZÉS:** A zajkibocsátás értékének segítségével előzetesen megbecsülhető a rezgésnek való kitettség mértéke.

előzetesen megbecsülhető a rezgésnek való kitettség mértéke.

**FIGYELMEZTETÉS:** Viseljen fülvédőt!

**FIGYELMEZTETÉS:** A szerszám zajkibocsátása egy adott alkalmazásnál eltérhet a megadott értéktől a használat módjától, különösen a feldolgozott munkadarab fajtájától függően.

**FIGYELMEZTETÉS:** Határozza meg a kezelő védelmét szolgáló munkavédelmi lépéseket, melyek az adott munkafeltételek melletti vibrációs hatás becsült mértékén alapulnak (figyelembe véve a munkaciklus elemeit, mint például a gép leállításának és üresjáratának mennyiségét az elindítások száma mellett).

**FIGYELMEZTETÉS:** A szerszám rezgés-kibocsátása egy adott alkalmazásnál eltérhet a megadott értéktől a használat módjától, különösen a feldolgozott munkadarab fajtájától függően.

**FIGYELMEZTETÉS:** Határozza meg a kezelő védelmét szolgáló munkavédelmi lépéseket, melyek az adott munkafeltételek melletti vibrációs hatás becsült mértékén alapulnak (figyelembe véve a munkaciklus elemeit, mint például a gép leállításának és üresjáratának mennyiségét az elindítások száma mellett).

## Vibráció

A vibráció teljes értéke (háromtengelyű vektorösszeg) az EN ISO 11681-2 szerint meghatározva:

### DUC256 típus

Üzem mód: Fa vágása  
 Rezgés-kibocsátás ( $a_{h,w}$ ): 3,2 m/s<sup>2</sup>  
 Bizonytalanság (K): 1,5 m/s<sup>2</sup>

### DUC306 típus

Üzem mód: Fa vágása  
 Rezgés-kibocsátás ( $a_{h,w}$ ): 3,2 m/s<sup>2</sup>  
 Bizonytalanság (K): 1,5 m/s<sup>2</sup>

### DUC356 típus

Üzem mód: Fa vágása  
 Rezgés-kibocsátás ( $a_{h,w}$ ): 3,2 m/s<sup>2</sup>  
 Bizonytalanság (K): 1,5 m/s<sup>2</sup>

### DUC406 típus

Üzem mód: Fa vágása  
 Rezgés-kibocsátás ( $a_{h,w}$ ): 3,2 m/s<sup>2</sup>  
 Bizonytalanság (K): 1,5 m/s<sup>2</sup>

### Típus: DUC256C

Üzem mód: Fa vágása  
 Rezgés-kibocsátás ( $a_{h,w}$ ): 2,5 m/s<sup>2</sup> vagy kisebb  
 Bizonytalanság (K): 1,5 m/s<sup>2</sup>

**MEGJEGYZÉS:** A rezgés teljes értéke a szabványos vizsgálati eljárásnak megfelelően lett mérve, és segítségével az elektromos kéziszerszámok összehasonlíthatók egymással.

**MEGJEGYZÉS:** A rezgés teljes értékének segítségével

## EK Megfelelőségi nyilatkozat

Csak európai országokra vonatkozóan

Az EK-megfelelőségi nyilatkozat az útmutató „A” mellékletében található.

## BIZTONSÁGI FIGYELMEZTETÉS

### A szerszámgépekre vonatkozó általános biztonsági figyelmeztetések

**FIGYELMEZTETÉS:** Olvassa el a szerszámgéphez mellékelt összes biztonsági figyelmeztetést, utasítást, illusztrációt és a műszaki adatokat. A következőkben leírt utasítások figyelmen kívül hagyása elektromos áramütést, tüzet és/vagy súlyos sérülést eredményezhet.

### Őrizzen meg minden figyelmeztetést és utasítást a későbbi tájékozódás érdekében.

A figyelmeztetésekben szereplő "szerszámgép" kifejezés az Ön hálózatról (vezetékes) vagy akkumulátorról (vezeték nélküli) működtetett szerszámgépre vonatkozik.

## A vezeték nélküli láncfűrészre vonatkozó biztonsági figyelmeztetések

1. **A láncfűrész működtetésekor tartsa távol testrészeit a fűrészlánctól. Mielőtt beindítaná a láncfűrész, győződjön meg arról, hogy a fűrészlánc nem érintkezik semmivel.** Egy figyelmen kívül hagyott pillanatban munka közben becsípheti a ruháját vagy valamely testrészét a láncfűrész.
2. **A láncfűrész mindig úgy tartsa, hogy jobb keze a felső fogantyún, bal keze pedig az elsőn legyen.** A szerszámot fordítva tartva nagyobb a személyi sérülés kockázata, ezért így nem szabad használni.
3. **Kizárólag a szigetelt markolási felületeinél fogva tartsa az elektromos szerszámot, mert fennáll a veszélye, hogy a fűrészlánc rejtett vezetékekbe ütközik.** Ha a fűrészlánc áram alatti vezetékkel érintkezik, a szerszám fém alkatrészei is áram alá kerülhetnek, így azok megrázhathják a kezelőt.
4. **Viseljen védőszemüveget és fülvédőt.** Javasolt további védőfelszerelést használnia fején, kezén, lábain és lábfejein is. A megfelelő védőruha viselete csökkentheti a törmelék okozta személyi sérülések kockázatát, illetve a láncfűrészsel való véletlen érintkezés kockázatát is.
5. **Mindig vigyázzon a megfelelő lábtartásra.**
6. **Megfeszülő gally vágásakor ügyeljen a visszacsapódásra.** Amikor kioldódik a farostokból, az eséssel meglendült gally megütheti a kezelőt és/ vagy a láncfűrész kezelhetetlenné teheti.
7. **Legyen nagyon óvatos ágak és facsemeték vágásakor.** A gyenge anyagba beakadhat és Ön felé verődhet a fűrészlánc, vagy kiránthatja az egyensúlyából.
8. **A láncfűrész az első fogantyúnál tartva, kikapcsolva, és a testétől távol tartva hordja. A láncfűrész szállításához és tárolásához mindig illessze fel a láncvezető burkolatot.** A láncfűrész megfelelő kezelése lecsökkenti a mozgó láncfűrészsel való véletlenszerű érintkezés esélyét.
9. **A szerszám kenésekor, a lánc kifeszítésekor és a tartozékok cseréjekor figyelmesen kövesse az utasításokat.** A nem szakszerűen kifizített vagy megkent lánc elszakadhat vagy megnövelheti a visszarúgás kockázatát.
10. **A fogantyúkat/karokat tartsa szárazon, tisztán, valamint olaj- és zsírmentesen.** A zsíros, olajos fogantyúk csúszósak, és a kontroll elvesztésétkozzák.
11. **Csak fa vágására használja. Ne használja a láncfűrész a rendeltetésétől eltérő módon.** Például: Ne alkalmazza a láncfűrész műanyag, kőművesmunka vagy nem fa építőanyagokra. A láncfűrész nem rendelhető elvezető alkalmazására veszélyes helyzetet okozhat.
12. **A visszarúgás okai és annak kezelői megelőzése:** Visszarúgást okozhat, ha a láncvezető orra vagy hegye egy tárgygal érintkezik, vagy ha a fa lezárul és becsípi a fűrészláncot a vágásba. A hegyvel való érintkezés időnként fordított reakciót idéz elő, felfelé felé hátra a kezelő felé rúgva a láncvezetőt. Ha a fűrészlánc a láncvezető felső részénél csipődik be, ez gyorsan hátrafelé tolhatja a láncvezetőt a kezelő irányába. Ezek a reakciók a fűrész kontrolljának elvesztését okozhatják, amely komoly személyi sérüléssel járhat. Ne fektessen kizárólagos épített biztonsági szerkezetre. Láncfűrész-kezelőként önnek is lépéseket kell tennie a vágási munkálatok balesetmentességének és a sérülések elkerülésének érdekében. A visszarúgás a szerszám helytelen és/vagy a hibás megmunkálási eljárásnak az eredménye, és az alább leírt óvintézkedések betartásával elkerülhető:
  - Tartsa erősen, ujjaival körülfogva a láncfűrész fogantyúit, két kézzel a fűrész, és úgy helyezkedjen el, hogy ellenállhasson a visszarúgási erőnek. A

viszszarúgási	erőt	a
kezelő	szabályozhatja,	ha
megfelelő	intézkedéseket	tesz.
Ne	engedje el	a
láncfűrész.		

#### Ábra1

- Ne próbáljon nyújtzkodva vágást végrehajtani, és ne vágjon vállmagasság felett. Így megakadályozható a vágólap csúcsának véletlen érintkezése, a láncfűrész jobban helyezetekben
  - Kizárólag a gyártó által meghatározott láncvezető és láncot használjon. A nem megfelelő láncvezető és láncszakadáshoz visszarághatóhoz vezethet.
  - Kövesse a gyártó és karbantartási utasításait. A mélységmérő magasságának csökkentése növelt visszarághást okozhat.
13. **Mielőtt elkezdi a munkát, ellenőrizze, hogy a láncfűrész megfelelő üzemállapotban van-e és hogy az állapota megfelel-e a munkavédelmi előírásoknak. Ellenőrizze, hogy:**
- A láncfék megfelelően működik;
  - A leállító fék megfelelően működik;
  - A láncvezető és a lánckerékvédő helyesen vannak felszerelve;
  - A lánc az előírásoknak megfelelően meg van élezve és feszítve.
14. **Ne indítsa el a láncfűrész, ha a láncvédő burkolat fel van szerelve.** Ha a láncvédő burkolattal indítja el, akkor a burkolatot előrefelé dobhatja magáról, ami személyi és tárgyi sérüléshez vezethet.

#### Kiegészítő biztonsági figyelmeztetések:

1. Amikor akkumulátoradapterrel használja a szerszámot, vigyázzon, ne botoljon meg a vezetékben működtetés közben.
2. Amikor akkumulátoradapterrel használja a szerszámot, működtetés közben tartsa a vezetékét távol az akadályoktól, például munkadaraboktól vagy ágaktól. Az akadályokba akadó vezetékek súlyos sérülést okozhat.

## Felső fogantyús láncfűrészekre jellemző biztonsági figyelmeztetések

1. A láncfűrész kifejezetten fák gondozására és vágására tervezték. A láncfűrész csak megfelelően képzett személyek általi használatra szánták. Tartsa be az illetékes szakmai szervezet minden utasítását, eljárását és javaslatát. Máskülönbén halálos baleset következhet be. Fákon történő fűrészeléshez mindig javasolt emelkedő platform (emelőkosár, lift) használata. Az ereszkedési technikák rendkívül veszélyesek, és speciális tréninget igényelnek. A kezelőket képezni kell, hogy megismerjék a biztonsági felszerelések használatát és a mászótechnikákat. Mindig használja a megfelelő öveket, köteleket és karabinereket, amikor a fákon dolgozik. Mindig legyen féken tartó készülék a kezelőn és a fűrészben is.
2. Tárolás előtt végezze el a tisztítást és karbantartást a használati kézikönyvnek megfelelően.
3. Biztosítsa a láncfűrész biztonságos elhelyezését gépjárművel történő szállításkor, hogy elkerülje az üzemanyag vagy a láncolaj szívárgását, a szerszám károsodását és a személyi sérülést.
4. Rendszeresen ellenőrizze a láncfék működését.
5. Ne tölts be a láncolajat tűz közelében. Soha ne dohányozzon a láncolaj töltése közben.
6. Nemzeti szabályozás korlátozhatja a láncfűrész használatát.
7. Ha a szerszámot erős ütés éri, illetve leesik, a munka folytatása előtt ellenőrizze annak állapotát. Ellenőrizze, nem hibásodtak-e meg a vezetők és a biztonsági eszközök. Ha bármilyen károsodást észlel vagy felmerül a károsodás gyanúja, ellenőrzésért és javításért forduljon a hivatalos márkaszervizünkhöz.
8. Mindig kapcsolja be a láncfékét a láncfűrész elindítása előtt.
9. Tartsa erősen egy helyben a fűrész, hogy elkerülje a fűrész csúszását (kúszó mozgását) vagy ugrálását egy vágás megkezdésekor.
10. A vágás végén vigyázzon, hogy megőrizze az egyensúlyát a „leesés” miatt.
11. Vegye figyelembe a szél irányát és sebességét. Kerülje a fűrészport és a láncolaj páráját.

#### Védőfelszerelés

1. A fej-, szem-, kéz- és lábsérülések elkerülése, valamint a hallás védelme érdekében a láncfűrész üzemeltetése közben a következő védőfelszereléseket kell használni:

- Ruházata legyen megfelelő, azaz legyen szoros, de a mozgást ne akadályozza. Ne viseljen ékszer vagy olyan ruhadarabot, amely beakadhat a bokrokba vagy cserjékbe. Ha hosszú a haja, viseljen hajhálót!
- A láncfűrészrel való munkához feltétlenül viseljen védősisakot. A **védősisakot** rendszeres időközönként kell ellenőrizni, hogy nincsenek-e sérülések és legkésőbb 5 év után kell lecserélni. Kizárólag jóváhagyott védősisakot használjon.
- A védősisak **arcvédője** (vagy a védőszemüveg) véd a fűrészpor és a faforgácsok ellen. A láncfűrész működtetése közben mindig viseljen védőszemüveget vagy arcvédőt a szem sérülésének megelőzése érdekében.
- Viseljen megfelelő

#### zajvédő felszerelést

- (fültok, fül dugó stb.)
- A **védődzseki** műanyagból áll, és megvédi a vágásoktól. Emelt platformokról (emelőkosár, lift), létrára szerelt platformokról vagy kötéllel mászva történő munkavégzéskor mindig viselni kell.
- A **mellvédős és vállpántos overall** rétegű műanyagszálból készült, és véd a vágások ellen. Használata erősen ajánlott. A vastag bőrből
- készült **védőkesztyűk** az előírt felszerelés részét képezik, és a láncfűrész működtetése közben mindig viselni kell.
- A láncfűrész működtetése közben mindig viselni kell csúszásgátló talppal, acél orrmerevítővel és lábszárvédővel ellátott **biztonsági cipőket** vagy **biztonsági csizmákat**. A védőréteggel

ellátott munkavédelmi cipők védelmet nyújtanak a vágásokkal szemben, és biztosítják a stabil állóhelyzetet. A fán történő munkavégzés érdekében a biztonsági csizmáknak alkalmasnak kell lenniük a mászási technikákhoz.

#### Vibráció

1. Elégtelen vérkeringésű egyének esetén, akik túlzott vibrációnak vannak kitéve, sérülhetnek a vérerek vagy az idegrendszer. A vibráció a megjelenését okozhatja az ujjakban, a kézen vagy a csuklón: „Álmosság”(zsidbadtság), bizsergő érzés, fájdalom, szúró fájdalomérzet, a bőr vagy a bőrszín elváltozása. **Ha ezen tünetek bármelyikét észleli önmagán, forduljon orvoshoz!** A „fehér ujj betegség” kockázatának csökkentése érdekében tartsa melegen kezeit a működtetés alatt, és mindig végezze el a gép és tartozékainak karbantartását.

## ŐRIZZE MEG EZEKET AZ UTASÍTÁSOKAT.

**FIGYELMEZTETÉS:** NE HAGYJA, hogy a termék többszöri használatából eredő kényelem és megszokás váltsa fel a termék biztonsági előírásainak szigorú betartását. A **HELYTELEN HASZNÁLAT** és a használati útmutatóban szereplő biztonsági előírások megszegése súlyos személyi sérülésekhez vezethet.

### Fontos biztonsági utasítások az akkumulátorra vonatkozóan

1. Az akkumulátor használata előtt tanulmányozza át az akkumulátortöltőn (1), az akkumulátoron (2) és az akkumulátorral működtetett terméken (3) olvasható összes utasítást és figyelmeztető jelzést.
2. Ne szerelje szét az akkumulátort.
3. Ha a működési idő nagyon lerövidült, azonnal hagyja abba a használatot. Ez a túlmelegedés, esetleges égések és akár robbanás veszélyével is járhat.

4. Ha elektrolit kerül a szemébe, mossa ki azt tiszta vízzel és azonnal kérjen orvosi segítséget. Ez a látásának elvesztését okozhatja.
5. Ne zárja rövidre az akkumulátort:
- (1) Ne érjen az érintkezőkhöz elektromosan vezető anyagokkal.
  - (2) Ne tárolja az akkumulátort más fémtárgyakkal, mint pl. szegekkel, érmékkel, stb. egy helyen.
  - (3) Ne tegye ki az akkumulátort víznek vagy esőnek.

Az akkumulátor rövidzárlata nagy áramerősséget, túlmelegedést, égéseket, sőt akár meghibásodást is okozhat.

6. Ne tárolja a szerszámot vagy az akkumulátort olyan helyen, ahol a hőmérséklet elérheti vagy meghaladhatja az 50 °C-ot (122 °F).
7. Ne égesse el az akkumulátort még akkor sem, ha az komolyan megsérült vagy teljesen elhasználódott. Az akkumulátor a tűzben felrobbanhat.
8. Vigyázzon, nehogy leejtse vagy megüssse az akkumulátort.
9. Ne használjon sérült akkumulátort.
10. A készülékben található lítium-ion akkumulátorokra a veszélyes árukkal kapcsolatos előírások vonatkoznak. A

termék	pl.	harmadik	felek,
fuvarozó	cégek	stb.	által
történő	szállítása	esetén	minden
esetben	tartsa	szem	előtt
a	csomagoláson		és
a	címkén	található	speciális

követelményeket.

A termék szállításra történő felkészítése esetén vegye fel a kapcsolatot egy veszélyes anyagokkal foglalkozó szakemberrel. Kérjük, hogy az esetlegesen szigorúbb nemzeti előírásokat is vegye figyelembe. Ragassza le a kiálló érintkezőket, illetve oly módon csomagolja be az akkumulátort, hogy az ne tudjon elmozdulni a csomagolásban.

11. Az akkumulátor ártalmatlanításakor vegye ki azt a szerszámból, és ártalmatlanítsa egy biztonságos helyen. Az akkumulátor ártalmatlanításakor tartsa be a helyi előírásokat.
12. Az akkumulátorokat csak a Makita által megjelölt termékekhez használja. Ha az akkumulátorokat azokkal nem kompatibilis termékekbe helyezi, az tűzhöz,

- túlmelegedéshez, robbanáshoz vagy elektrolitszivárgáshoz vezethet.
13. Ha a szerszám hosszabb ideig nincs használatban, az akkumulátort ki kell venni a szerszámból.

## ŐRIZZE MEG EZEKET AZ UTASÍTÁSOKAT.

<b>⚠ VIGYÁZAT:</b> Csak eredeti Makita akkumulátorokat használjon.			
A	nem		
eredeti	Makita	akkumulátorok	
vagy	módosított	akkumulátorok	
használata	esetén	az	
akkumulátor		felrobbanhat,	
ami	tűzet,	személyi sérülést	
és	anyagi	kárt okozhat.	
A	Makita	szerszámra	
és	töltőre	vonatkozó Makita	
garanciát	is	érvénytelenítheti.	

## Típek az akkumulátor maximális élettartamának eléréséhez

1. Töltse fel az akkumulátort, mielőtt teljesen lemerülne. Állítsa le a gépet, és töltsen fel az akkumulátort, ha a gép erejének csökkenését észleli.
2. Soha ne töltsen újra a teljesen feltöltött akkumulátort. A túltöltés csökkenti az akkumulátor élettartamát.
3. Töltsen az akkumulátort szobahőmérsékleten, 10 °C - 40 °C (50 °F - 104 °F) között. Töltés előtt hagyja lehűlni a felforrósodott akkumulátort.
4. Töltsen fel az akkumulátort, ha hosszabb ideje (több mint hat hónapja) nem használta azt.

# ALKATRÉSZEK LEÍRÁSA

Abra2

1	Akkumulátortöltöttség-jelző	2	Check (ellenőrzés) gomb	3	Kapcsológomb
4	Felső fogantyú	5	Reteskioldó kar	6	Elülső kézvédő
7	Vezetőrúd	8	Fűrészlánc	9	Láncfogó
10	Anyacsavar	11	Láncbeállító csavar	12	Akkumulátor
13	Főkapcsoló fénye	14	Üzem mód-visszajelző	15	Főkapcsoló
16	Kupak	17	Szabályozócsavar (olajszivattyú)	18	Karabiner
19	Elülső fogantyú	20	Olajtartály záró sapkája	21	Rönktámasz
22	Láncvezető burkolat	-	-	-	-

## A MŰKÖDÉS LEÍRÁSA

**VIGYÁZAT:** Minden esetben ellenőrizze, hogy a szerszám ki van kapcsolva és az akkumulátor eltávolításra került mielőtt beállít vagy ellenőriz valamilyen funkciót a szerszámon.

### Az akkumulátor behelyezése és eltávolítása

**VIGYÁZAT:** Mindig kapcsolja ki az eszközt, mielőtt behelyezi vagy eltávolítja az akkumulátort.

**VIGYÁZAT:** Az akkumulátor behelyezésekor vagy eltávolításakor erősen fogja meg a szerszámot és az akkumulátort. Ha fogja erősen a szerszámot, akkumulátort, kicsúszhatnak közül, ami szerszám és akkumulátor de akár sérüléshez is vezethet.

**Abra3:** 1. Piros jel

2. Gomb 3. Akkumulátor

Az akkumulátoregység kivételéhez nyomja be az akkumulátoregység elején található gombot, és húzza le gépről.

Az akkumulátor beszereléséhez illesse az akkumulátor nyelvét a burkolaton található vágatba és csúsztassa a helyére. Egészen addig tolja be, amíg az kis kattanással ugrik. Ha látható a piros jel a gomb felső oldalán, akkor a gomb nem kattant teljesen.

**VIGYÁZAT:** Mindig tolja be teljesen az akkumulátort, amíg a piros jel el nem tűnik.

Ha ez nem történik meg, akkor az akkumulátor kieshet a szerszámból, és Önnek vagy a környezetében másnak sérülést okozhat.

**VIGYÁZAT:** Ne erőltesse az akkumulátort behelyezéskor.

Ha az akkumulátor nem csúszik be könnyedén, akkor nem megfelelően lett behelyezve.

### Az akkumulátor töltöttségének jelzése

**Abra4:** 1.

Akkumulátortöltöttség-jelző (ellenőrzés) 2. Check gomb

Nyomja meg a CHECK (ELLENŐRZÉS) gombot a hátralevő

akkumulátor-kapacitás megjelenítéséhez. Az - akkumulátor töltöttség-jelzők az egyes akkumulátorokra

Akkumulátor jelzőfényének állapota			Hátralevő akkumulátor-kapacitás
BE	KI	Villogó lámpa	
			50%-tól 100%-ig
			20%-tól 50%-ig
			0%-tól
			Töltse fel akkumulátort

## Az akkumulátor töltöttségének jelzése

### Csak állapotjelzős akkumulátorok esetén

- **Ábra5:** 1. Jelzőlámpák  
2. Check (ellenőrzés) gomb

Nyomja meg az ellenőrzőgombot, hogy az akkumulátortöltöttség-jelző megmutassa a hátralévő akkumulátor-kapacitást. Ekkor a töltöttség-szint-jelző néhány másodpercre

Jelzőlámpák			Töltöttségi szint
Világító lámpa	KI	Villogó lámpa	
			75%-tól 100%-ig
			50%-tól 75%-ig
			25%-tól 50%-ig

Jelzőlámpák			Töltöttségi szint
Világító lámpa	KI	Villogó lámpa	
			0%-tól
			Töltse fel akkumulátort.
			Lehetséges, hogy az akkumulátor meghibásodott.
			↑ ↓

**MEGJEGYZÉS:** Az adott nyezet hőmérsékletétől függően a jelzett töltöttségi szint némileg eltérhet a tényleges töltöttségi szinttől.

## Szerszám-/akkumulátorvédő rendszer

A gép szerszám-/akkumulátorvédő rendszerrel van felszerelve. A rendszer automatikusan kikapcsolja a motor áramellátását, így megnöveli a szerszám és az akkumulátor élettartamát. A gép használat közben automatikusan leáll, ha a szerszám vagy az akkumulátor a következő állapotok valamelyikébe kerül:

## Túlterhelésvédelem

Ha az akkumulátort úgy használják, hogy az rendellenesen nagy áramot vesz fel, a szerszám automatikusan leáll, és a főkapcsoló fénye zölden villogni kezd. Ilyenkor kapcsolja ki a gépet, és fejezze be azt a műveletet, amelyik a túlterhelést okozza. A munka újraindításához kapcsolja be a gépet.

## Túlmelegedés elleni védelem

Ha a szerszám vagy az akkumulátor túlmelegszik, a szerszám automatikusan leáll, és a főkapcsoló fénye pirosan villogni kezd. Ilyenkor hagyja lehűlni a szerszámot, és az akkumulátort, mielőtt ismét munkához látna.

**MEGJEGYZÉS:** Magas hőmérsékletű környezetben valószínűleg lép a túlmelegedés elleni védelem, és a szerszám automatikusan leáll.

## Mélykisítés elleni védelem

Ha az akkumulátor kapacitása nem elegendő, a szerszám automatikusan leáll, és a főkapcsoló fénye pirosan villog. Ebben az esetben vegye ki az akkumulátort a szerszámból, majd töltsen fel azt.

## Főkapcsoló

**FIGYELMEZTETÉS:** Mindig állítsa kikapcsolt állásba a főkapcsolót, ha nem használja a szerszámot.

A szerszám bekapcsolásához tartsa nyomva a főkapcsolót, amíg a főkapcsoló fénye zölden villogni nem kezd. A kikapcsoláshoz nyomja meg ismét a főkapcsolót.

- **Ábra6:** 1. Főkapcsoló fénye  
2. Üzem módvisszajelző 3. Főkapcsoló

**MEGJEGYZÉS:** A főkapcsoló fénye zölden villog, ha a kapcsológombot működésképtelen körülmények között nyomja meg. A fény az

	alábbi körülmények esetén villog.	egyike	
• Ha	bekapcsolja a főkapcsolót, reteszkioldó a kapcsológombot lenyomva tartja.	a miközben a kart és	
• Ha	benyomja a miközben a a láncot.	kapcsológombot, a láncfék fékezi	
• Ha	kioldja a miközben a kart és a kapcsológombot	láncfékét, a reteszkioldó a benyomva tartja.	
<b>MEGJEGYZÉS:</b> Ez a szerszám automatikus funkcióval rendelkezik. Hogy elkerülhesse szerszám véletlen beindítását, a főkapcsoló automatikusan leállítja a szerszámot, ha a kapcsológombot megadott ideig nyomva tartja, miután a főkapcsolót bekapcsolta.			

Vastag vagy kemény ágak vágásához használhatjuk szerszámot nyomatéknövelő (Torque Boost) módban. A szerszám nyomatéknövelő módban történő használatához a szerszám kikapcsolt állapotában a főkapcsolót meg kell nyomni néhány másodpercre, amíg az üzemmód-visszajelző zölden világítani nem kezd.

**MEGJEGYZÉS:** A szerszámot maximum 60 másodpercig használhatja nyomatéknövelő módban. A használati körülményektől függően ez a mód kevesebb mint 60 másodpercen belül áll normál módra.

**MEGJEGYZÉS:** Ha az üzemmód-visszajelző zölden villog, amikor néhány másodpercre megnyomja a főkapcsolót, a nyomatéknövelő mód nem áll rendelkezésre. Ebben az esetben kövesse az alábbi lépéseket.

• A nyomatéknövelő mód nem áll rendelkezésre művelet után. Várjon több mint 10 másodpercet, majd nyomja meg újra a

	főkapcsolót másodpercre.	néhány	
• Ha	többször használja a nyomatéknövelő nyomatéknövelő mód használatára korlátozásra az akkumulátor védelme érdekében. Ha a nyomatéknövelő mód több mint 10 másodperc várakozás után még mindig nem áll rendelkezésre, cserélje ki az akkumulátort egy teljesen feltöltöttel vagy töltse fel az akkumulátort.	a mód, a kerül a védelme	
<b>MEGJEGYZÉS:</b> Ha a főkapcsoló fénye pirosan világít vagy pirosan villog, olvassa el a szerszám-akkumulátorvédő utasításait.			

## A kapcsoló használata

**▲ FIGYELMEZTETÉS:** Az Ön biztonsága érdekében ez a szerszám egy reteszkioldó karral van felszerelve, amely meggátolja a szerszám véletlen beindulását. **SOHA** ne használja ezt a szerszámot, ha az akkor is beindul, amikor Ön meghúzza a kapcsológombot, de nem nyomja le a reteszkioldó kart. A további használat **ELŐTT** vigye a szerszámot javításra egy hivatalos szervizközpontba.

**▲ FIGYELMEZTETÉS:** **SOHA** ne ragassza le a reteszkioldó kart, vagy iktassa ki annak működését.

**▲ VIGYÁZAT:** Mielőtt behelyezi az akkumulátort a szerszamba, mindig ellenőrizze, hogy a kapcsológomb hibátlanul működik és felengedéskor „OFF” állásba áll-e.

**MEGJEGYZÉS:** Ne húzza túlzott erővel a kapcsológombot, ha nem nyomta be a reteszkioldó kart. Ez a kapcsoló törését okozhatja.

A kapcsológomb véletlen benyomásának elkerüléséről egy reteszkioldó kar gondoskodik.

A szerszám bekapcsolásához nyomja le a reteszkioldó kart, majd nyomja meg a kapcsológombot. A gép fordulatszámát a kapcsológombra gyakorolt erővel arányosan növelheti. A megállításhoz engedje el a kapcsológombot.

► **Ábra7: 1.** Kapcsológomb  
**2.** Reteszkioldó kar

## A láncfék ellenőrzése

**⚠VIGYÁZAT:** Bekapcsoláskor mindkét kezével fogja erősen a láncfűrész. A felső markolatot jobb kézzel, az elülső markolatot pedig a ballal fogja. A láncvezető és a lánc nem érhet semmilyen tárgyhoz.

**⚠VIGYÁZAT:** Ha fűrészlánc nem áll meg azonnal egy ilyen ellenőrzés során, akkor a fűrész semmilyen körülmények között nem szabad használni.

Forduljon hivatalos szakszervizhez.

1. Nyomja le a reteskioldó kart, majd a kapcsológombot. A fűrészlánc azonnal működésbe lép.
  2. Nyomja előre kézfejjével az első kézvédőt.
- Győződjön meg arról, hogy a fűrészlánc azonnal leállt.
- **Ábra8:** 1. Elülső kézvédő  
2. Nyitott pozíció  
3. Rögzített pozíció

## A leállító fék ellenőrzése

**⚠VIGYÁZAT:** Ha a fűrészlánc nem áll le a teszt során két másodpercen belül, ne használja tovább a láncfűrész, és forduljon a hivatalos márkaszervizünkhöz.

Indítsa be a láncfűrész, majd azonnal teljesen engedje el a kapcsológombot. A fűrészláncnak két másodpercen belül meg kell állnia.

## A lánckenés beállítása

Az olajszivattyú szállítási teljesítménye a szabályzócsavarral állítható be franciakulcs segítségével. Az olajmennyiséget 3 lépésben lehet beállítani. A beállítócsavar beállításához nyissa ki a kupakot. ► **Ábra9:** 1. Kupak  
2. Beállítócsavar

## Karabiner (kötél csatlakozási pontja)

Felakaszthatja a szerszámot, ha kötelet csatlakoztat a karabinerhez. Húzza fel a karabinert, és kösse meg a kötéllal.

► **Ábra10:** 1. Karabiner

## Rönttámasz

A szerszám alapfelszerelésként rönttámasszal van ellátva. A rönttámasz cseréje érdekében forduljon a hivatalos Makita szervizközponthoz. A vágási művelet végrehajtásakor kapcsolja a rönttámaszt a vázhoz, és használja azt emelőként.

## Elektronikus funkció

A szerszámot a könnyebb használat érdekében elektronikus funkciókkal szerelték fel.

- Állandó fordulatszám-szabályozás

A fordulatszám-szabályozó funkció a terhelési körülményektől függetlenül állandó fordulatszámot biztosít.

## ÖSSZESZERELÉS

**⚠VIGYÁZAT:** Minden esetben ellenőrizze, hogy a szerszám ki van kapcsolva és az akkumulátort levette, mielőtt bármilyen műveletet végez a szerszámon.

**⚠VIGYÁZAT:** Ne érjen szabad kézzel a fűrészlánchoz. A fűrészlánc kezelésekor mindig viseljen kesztyűt.

## A fűrészlánc eltávolítása és felhelyezése

**⚠VIGYÁZAT:** A fűrészlánc és a láncvezető közvetlenül a használat után még forró. Hagyja őket lehűlni, mielőtt bármilyen munkát végez a szerszámon.

**VIGYÁZAT:** A fűrészlánc felhelyezését és eltávolítását tiszta, fűrészportól és hasonló anyagoktól mentes helyen végezze el.

- A fűrészlánc eltávolításához hajtja végre a következő lépéseket:
1. Oldja ki a láncfék az elülső kézvédő meghúzásával.
  2. Lazítsa meg a lánfbeállító csavart, majd az anyacsavart.
- **Ábra11:** 1. Lánfbeállító csavar  
2. Anyacsavar
3. Távolítsa el a lánckerék fedelét, majd vegye le a fűrésztestről a fűrészláncot és vezetőrudat.

- A végre a fűrészlánc felhelyezéséhez hajtsa a következő lépéseket:
- Ellenőrizze a fűrészlánc irányát. Hasonlítsa össze a fűrészlánc irányát a láncfűrész testén lévő jellel.
  - Illessze a fűrészlánc egyik végét a vezetőrúd tetejére.
  - Illessze a fűrészlánc másik végét a lánckerék köré, majd csatlakoztassa a vezetőrudat a lánccsatlakoztatási pontokhoz. Hozza a vezetőrúd furatát a lánccsatlakoztatási pontokhoz.
- ▶ **Ábra12:** 1. Lánckerék 2. Furat
- Helyezze a lánckerék fedelén lévő kiemelkedést és csapot a lánccsatlakoztatási pontokhoz. Majd zárja be a fedelelét úgy, hogy a lánccsatlakoztatási pontok illeszkedjenek a lánccsatlakoztatási pontokhoz.
- ▶ **Ábra13:** 1. Kiemelkedés
- Lánckerék fedele 3. Fejecsavar 4. Csap
- Húzza meg az anyacsavart, hogy rögzítse a lánccsatlakoztatási pontok fedelét, majd lazítsa ki egy kicsit a feszültséget beállításához. ▶

## A fűrészlánc feszességének beállítása

- ⚠ VIGYÁZAT: Ne húzza túl a fűrészláncot.** A túlságosan feszes fűrészlánc elszakadhat, és a lánccsatlakoztatási pontok kopását okozhatja.

**VIGYÁZAT: A túl laza lánccsatlakoztatási pontokból, ez pedig balesetet okozhat.**

- Idővel a fűrészlánc meglazulhat. Használat előtt időre ellenőrizze a fűrészlánc feszességét. 1. Oldja ki a lánccsatlakoztatási pontok elülső kézvédő meghúzásával.
- Lazítsa ki egy kicsit az anyacsavart, hogy kissé kilazítsa a lánccsatlakoztatási pontok fedelét. ▶ **Ábra15:** 1. Anyacsavar
  - Enyhén emelje fel a lánccsatlakoztatási pontok fedelét, majd állítsa be a lánccsatlakoztatási pontok feszességét.

- feszességét. Fordítsa a lánccsatlakoztatási pontok fedelét. ▶ **Ábra16:** 1. Fűrészlánc 3. Lánccsatlakoztatási pontok
- órájárással megegyező irányba, hogy meghúzza, és az órájárással ellenkező irányba, hogy kilazítsa azt.

### 90PX és 91PX lánccsatlakoztatási pontok esetén:

- Szorítsa meg a fűrészláncot, hogy a fűrészlánc alja látható módon illeszkedjen a lánccsatlakoztatási pontokhoz. ▶ **Ábra16:** 1. Fűrészlánc 3. Lánccsatlakoztatási pontok

### 25AP lánccsatlakoztatási pontok esetén:

- Szorítsa meg a fűrészláncot úgy, hogy a fűrészlánc középe és a lánccsatlakoztatási pontok közötti rés 2 mm legyen.
- Tartsa enyhén a lánccsatlakoztatási pontok fedelét, hogy a lánccsatlakoztatási pontok illeszkedjenek a lánccsatlakoztatási pontokhoz.

### 90PX és 91PX lánccsatlakoztatási pontok esetén:

- Győződjön meg arról, hogy a fűrészlánc nem lazult az alsó oldalon.

### 25AP lánccsatlakoztatási pontok esetén:

- Győződjön meg róla, hogy a fűrészlánc középe és a lánccsatlakoztatási pontok közötti rés 2 mm között van.
- Húzza meg az anyacsavart, hogy rögzítse a lánccsatlakoztatási pontok fedelét. ▶ **Ábra17:** 1. Anyacsavar

## MŰKÖDTETÉS

### Kenés

- A fűrészlánc kenése a szerszám működése közben automatikusan történik. Rendszeresen ellenőrizze az olajtartály olajszintjét az olajkémlelőablakon keresztül. A tartály újratöltéséhez fektesse a lánccsatlakoztatási pontok oldalára, nyomja meg, majd vegye le az olajtartály sapkáját. A megfelelő olajmennyiség 200 ml. A tartály újratöltése után ellenőrizze, hogy a tartálysapkát megfelelően megszorította.

▶ **Ábra18:** 1. Olajtartály záró sapkája  
2. Olajkémlelő ablak

Az újratöltés után tartsa el a láncfűrész a fától. Indítsa be a szerszámot, és várja meg, hogy a fűrészlánc kenése megfelelővé váljon.

▶ **Ábra19**

**MEGJEGYZÉS:** Amikor először tölt be olajat, vagy újra feltölti a tartályt úgy, hogy előtte az teljesen kiürült, a töltőnyak alsó széléig öntse az olajat. Ellenkező esetben az olajtovábbítás romolhat.

**MEGJEGYZÉS:** Kizárólag Makita láncfűrészekhez való láncolajat, vagy azzal egyenértékű olajat használjon.

**MEGJEGYZÉS:** Soha ne használjon porral szennyezett vagy illékony olajat.

**MEGJEGYZÉS:** Fák metszéséhez növényi olajat használjon. Az ásványi olaj károsíthatja a fákat.

**MEGJEGYZÉS:** A vágási művelet előtt ellenőrizze, hogy az olajtartály sapkája a helyén van-e.

**MUNKAVÉGZÉS A LÁNCFŰRÉSSZEL**

**⚠VIGYÁZAT:** A motor működésekor tartsa távol a testrészeit a fűrészlánctól.

**⚠VIGYÁZAT:** A motor működésekor a láncfűrész erősen fogja mindkét kezével.

**⚠VIGYÁZAT:** Ne hajoljon előre túlságosan. Mindig megfelelően szilárd helyzetben és egyensúlya megtartásával dolgozzon.

**MEGJEGYZÉS:** Soha ne dobja el vagy ejtse le a szerszámot.

**MEGJEGYZÉS:** Ne fedje le a szerszám szellőzőnyílásait.

**Fák metszése**

Bekapcsolás előtt érintse a láncfűrész testét a levágandó ághoz. Ellenkező esetben a láncvezető kilenghet, ami a fűrész kezelőjének sérülését okozhatja. Az ágat a láncfűrész súlyának ráengedésével vágja le. ▶

**Ábra20**

Ha egyetlen finoman a húzza a fát mozdulattal nyomást a fűrészelést, vissza a nem tudja átvágni. Gyakoroljon fogantyúra, folytassa és kicsit láncfűrész.

▶ **Ábra21**

Vastag ágak vágásakor készítsen először egy apró alsó vágást, majd végezze el a végső vágást fentről. ▶

▶ **Ábra22**

Ha alulról próbál meg elvágni egy vastag ágat, az ág körülveheti a fűrészláncot, és beszoríthatja a vágásba. Ha felülről próbál meg elvágni egy vastag ágat apró alsó vágással, az ág elhasadhat. ▶

**Ábra23**

**A szerszám szállítása**

Mielőtt szállítaná a szerszámot, használja a láncféket és távolítsa el az akkumulátorokat. Ezt követően pedig helyezze fel a láncvezető burkolatát. Az akkumulátorra is tegye rá a fedelét. ▶ **Ábra24:** 1. Láncvezető burkolat  
2. Akkumulátorfedél

**KARBANTARTÁS**

**⚠VIGYÁZAT:** Minden esetben ellenőrizze, hogy a szerszám ki van kapcsolva és az akkumulátor eltávolításra került mielőtt átvizsgálja a szerszámot vagy annak karbantartását végzi.

**⚠VIGYÁZAT:** A szerszám átvizsgálásához vagy karbantartásához mindig vegyen fel védőkesztyűt.

**MEGJEGYZÉS:** Soha ne használjon gázolajat, benzint, hígítót, alkoholt vagy hasonló anyagokat. Ezek elszíneződést, alakvesztést vagy repedést okozhatnak.

A termék BIZTONSÁGÁNAK és MEGBÍZHATÓSÁGÁNAK fenntartása érdekében a javításokat és más karbantartásokat vagy beállításokat a Makita hivatalos vagy gyári szervizközpontjában kell elvégezni, mindig csak Makita cserealkatrészeket használva.

**A fűrészlánc élezése**

Élezze meg a fűrészláncot, ha:

- Lisztszerű fűrészpor képződik nedves vágásakor;
- A lánc nehezen hatol be a fába, még ha erős nyomást alkalmaznak is;
- A vágóélen sérülések láthatók;

- A fűrész balra vagy jobbra húz a fában. (ennek oka a fűrészlánc egyenetlen élézése, egyik oldal vagy az sérülése)
- Gyakran élézz a fűrészláncot, de mindig csak kis mértékben. Két-három húzás egy reszelővel általában elegendő a újraelézéshez. Miután a fűrészláncot többször újraelézte, éléztesse meg egy hivatalos szervizközpontban. **Az élzés feltételei:**

**▲ FIGYELMEZTETÉS: A vágóél és a mélységmérő közötti túl nagy távolság növeli a visszarúgás kockázatát.**

- **Ábra25: 1.** Vágóhossz **2.**  
A vágóél és a mélységmérő közötti távolság **3.**  
Minimális vágóhossz (3 mm)
- A vágóhosszoknak meg kell egyezniük. Az eltérő vágóhosszúságok akadályozzák a lánc sima mozgását, valamint a lánc szakadását is.
  - Ne élézz a láncot, ha a vágóhossz 3 mm vagy rövidebb. Az ilyen új láncra kell cserélni.
  - A forgács vastagságát a mélységmérő (kerek nyúlvány) és a vágóél közötti távolság határozza meg.
  - A legjobb eredmény akkor érhető el, ha a vágóél és a mélységmérő közötti távolság a következőképpen alakul.
    - Lánccpenge 90PX : 0,65 mm
    - Lánccpenge 91PX : 0,65 mm
    - Lánccpenge 25AP : 0,65 mm
  - Az élézési szögnek ▶ **Ábra26** 30°-os értékűnek kell lennie minden vágószem esetében. Ha a vágószögek eltérnek, akkor a lánc futása akadozó és egyenetlen lesz, a kopás megnő, és a lánc elszakadhat.

- Megfelelően lekerékített reszelőt használjon, hogy ne változzon a fogak dőlésszöge.
  - Lánccpenge 90PX : 55°
  - Lánccpenge 91PX : 55°
  - Lánccpenge 25AP : 55°

#### Reszelő és a reszelő vezetése

- A fűrészláncok élézéséhez speciális kerek reszelőt (külön rendelhető kiegészítő) használjon.
- A normál kerek reszelők nem megfelelőek.
- A fűrészláncok kerek reszelőinek átmérői a következőképpen alakulnak:
  - Lánccpenge 90PX : 4,5 mm
  - Lánccpenge 91PX : 4,0 mm
  - Lánccpenge 25AP : 4,0 mm
- A reszelő csak érintkezzen a vágószemmel. Visszahúzáskor emelje fel a reszelőt a vágószemről.
- A legrövidebb vágószemmel kezdje az élézt. Ezután ennek a legrövidebb vágószemnek a hossza válik a mintaméretté a láncfűrész összes többi vágószeméhez.
- A reszelőt az ábrán látható módon vezesse.

#### ► **Ábra27: 1.** Reszelő **2.**

#### Fűrészlánc

- A reszelőt könnyebb mozgatni, ha reszelőfogót (opcionális kiegészítő) használ. A reszelőfogón meg van jelölve a helyes, 30°-os élézési szög (a jelzéseket igazítsa a fűrészlánc párhuzamosan) és korlátozva van a behatolási mélység (a reszelő átmérőjének 4/5-ére).
- **Ábra28: 1.** Reszelőfogó
- A lánc megélezése után ellenőrizze a mélységmérő

magasságát a  
láncellenőrző eszközzel  
(opcionális kiegészítő).

### ► **Ábra29**

— Távolítsa el az  
esetleges sorját, bármilyen kevés  
is legyen az, egy  
speciális lapos reszelővel  
(opcionális kiegészítő).

— Újból kerékítse le  
a mélységmérő  
elűső részét.

## A láncvezető tisztítása

A forgács és a fűrészpor  
felgyülemlik a láncvezető  
vájatában. Eltömíthetik  
láncvezető vájátát és  
akadályozhatják  
az olajáramlást. Minden élezés  
vagy lánccsere alkalmával távolítsa el  
a forgácsot és a

### ► **Ábra30**

## A lánckerék fedelének tisztítása

Forgács és fűrészpor gyülemlik fel  
a lánckerék fedelében. Vegye le  
a számról a  
lánckerék fedelét és a  
fűrészláncot, majd távolítsa el  
a forgácsot és a  
fűrészport. ► **Ábra31**

## Az olajleeresztő nyílás megtisztítása

Az olajleeresztő nyílásban por  
vagy más apró szemcsék  
halmozódhatnak fel a  
használat során. A por és  
a szemcsék ronthatják az olaj  
áramlását, és a fűrészlánc  
elégtelen  
kenését okozhatják. Ha a  
láncvezető felső részén a  
továbbítása elégtelen, tisztítsa meg  
az olajleeresztő nyílást a  
következő módon.

1. Távolítsa el a  
lánckerék fedelét és a  
fűrészláncot a  
számról.
2. Távolítsa el a  
szállóport és az  
apró egy lapos  
csavarhúzóval vagy más  
hasonlóval.

- **Ábra32:** 1. Hornyolt fejű  
csavarhúzó
2. Olajleeresztő nyílás
3. Helyezze be az  
akkumulátort a  
szerszámba. Húzza meg  
a kapcsológombot a  
lerakódott por vagy  
szemcsék eltávolításához az  
olajkieresztő nyílásból a  
láncolaj kieresztésével.
4. Vegye ki az  
akkumulátort a  
szerszámból. Helyezze vissza  
a lánckerék fedelét és  
a fűrészláncot a  
szerszáma.

## A lánckerék cseréje

**▲ VIGYÁZAT:** Az elkopott lánckerék károsítja az  
új fűrészláncot. Ebben az esetben cseréltesse ki  
a lánckereket.

Mielőtt felrakja az új  
fűrészláncot, ellenőrizze a  
lánckerék állapotát.

- **Ábra33:** 1. Lánckerék 2.  
Az elkopó területek

A fogaskerék cseréjekor mindig új  
zárógyűrűt helyezzen fel.

- **Ábra34:** 1. Zárógyűrű 2.  
Lánckerék

**MEGJEGYZÉS:** Győződjön meg arról, hogy a  
lánckereket az ábrán látható módon helyezte fel.

## A szerszám tárolása

1. Tárolás előtt tisztítsa meg  
a szerszámot. A  
lánckerék fedelének levétele után  
és a fűrészport a forgácsot a  
számról.
2. A szerszámot a tisztítás  
után működtesse a tisztítás  
nélkül, hogy megtörténjen terhelés  
a fűrészlánc és a  
láncvezető kenése.
3. Fedje le a láncvezetőt  
a fedelével.
4. Engedje le az  
olajtartályt.

## Utasítások a rendszeres karbantartásra és ápolásra vonatkozóan

A biztonsági berendezések hosszú élettartalmának és megfelelő működésének biztosításához és károsodásuk elkerülésének érdekében az alábbiakban leírt karbantartási munkákat rendszeresen el kell végezni. A garanciaigényeket csak abban az esetben ismerjük el, ha ezeket a lépéseket rendszeresen és megfelelően elvégezték. Ezen előírások be nem tartása balesetet okozhat! A lánCFűrész használóinak nem szabad olyan karbantartási munkálatokat végezniük, amelyeket a hivatalos utasítás nem ismertet. Az ilyen műveleteket a hivatalos szakszerviznek kell elvégeznie.

Alkatrész / alkalom		Használat előtt	Minden nap	Minden héten	Háromhavonta	Évente	Tárolás előtt
LánCFűrész	Ellenőrzés.	✓	-	-	-	-	-
	Tisztítás.	-	✓	-	-	-	-
	Ellenőriztesse hivatalos szervizközpontban.	-	-	-	-	✓	✓
Fűrészlánc	Ellenőrzés.	✓	-	-	-	-	-
	Szükség esetén élezze meg.	-	-	-	-	-	✓
Vezetőrúd	Ellenőrzés.	✓	✓	-	-	-	-
	Távolítsa el a lánCFűrészről.	-	-	-	-	-	✓
LánCFék	Ellenőrizze a működést.	✓	-	-	-	-	-
	Rendszeresen ellenőriztesse hivatalos szervizközpontban.	-	-	-	✓	-	-
A lánCFűrész	Ellenőrizze az olajadagolást.	✓	-	-	-	-	-
Kapcsológomb	Ellenőrzés.	✓	-	-	-	-	-
Reteszkilódó kar	Ellenőrzés.	✓	-	-	-	-	-

Olajtartály zárósapkája	Ellenőrizze a szorosságot	✓	-	-	-	-	-
Láncfogó	Ellenőrzés.	-	-	✓	-	-	-
Csavarok és anyák	Ellenőrzés.	-	-	✓	-	-	-

## HIBAELHÁRÍTÁS

Mielőtt a szervizhez fordulna, először végezzen saját maga is átvizsgálást. Ha olyan problémát talál, amire a kézikönyv nem tartalmaz magyarázatot, ne próbálja meg szétszedni az eszközt. Ehelyett kérjen tanácsot a Makita hivatalos szervizközpontjától, és javításhoz mindig Makita cserealkatrészeket használjon.

Meghibásodás állapota	Ok	Teendő
A láncfűrész nem indul be.	Az akkumulátor nincs a gépben.	Helyezzen be feltöltött egy akkumulátort.
	Akkumulátorprobléma (alacsony feszültség).	Töltse fel az akkumulátort. Ha az újratöltés nem segít, cserélje le az akkumulátort.
	A főkapcsoló ki van kapcsolva.	A láncfűrész automatikusan kikapcsol, ha ideig nem használják. Kapcsolja be újra a főkapcsolót.
A fűrészlánc mozdatlan.	Be van kapcsolva a láncfék.	Oldja ki a láncfékét.
A motor rövid idő után leáll.	Az akkumulátor töltési szintje alacsony.	Töltse fel az akkumulátort. Ha az újratöltés nem segít, cserélje le az akkumulátort.
Nincs olaj a láncon.	Üres az olajtartály.	Töltse fel az olajtartályt.
	Beszennyeződött az olajadagoló horony.	Tisztítsa meg a hornyot.
	Gyenge olajáramlás.	Igazítsa az adagolt olaj mennyiségét a szabályozócsavarral.
A láncfűrész nem éri el a maximális fordulatszámot.	Az akkumulátort helytelenül szerelték be.	Az akkumulátort az útmutató szerint szerelje be.

		Az akkumulátor feszültsége nagy mértékben csökken.	Töltse fel az akkumulátort, az újratöltés segít, cserélje le az akkumulátort.
		A meghajtórendszer nem működik megfelelően.	Kérjen javítást a helyi márkaszerviztől.
A főkapcsoló zölden világog.	A lámpája villog.	A kapcsológombot működésképtelen körülmények között húzták be.	Azután húzza be a kapcsológombot, hogy a bekapcsolta és a láncfék kiengedte.
A lánc le ellenére	nem a működése sem:	áll	Elkopott a fékszalg.
<b>Azonnal állítsa le a gépet!</b>			Kérjen javítást a helyi márkaszerviztől.
A gép rendellenesen rezeg:	<b>Azonnal állítsa le a gépet!</b>	Lazítsa meg a láncvezetőt vagy a fűrészláncot.	Állítsa be a láncvezető fűrészlánc és a feszességét.
		A számszám meghibásodott.	Kérjen javítást a helyi márkaszerviztől.
A nyomtáknövelő mód nem áll rendelkezésre, miután az akkumulátort kicserélték egy teljesen feltöltöttel.	A áll	A használati körülményektől függően a nyomtáknövelő mód nem áll rendelkezésre az akkumulátor cseréje után.	Használja a normál amíg telepített lemerül, cserélje ki az akkumulátort egy teljesen feltöltöttel vagy az akkumulátort.
A fűrészláncot lehet felszerelni.	A nem	A fűrészlánc és a kombinációja nem megfelelő.	Használja a megfelelő lásd műszaki fejezetét.

## OPCIONÁLIS KIEGÉSZÍTŐK

**⚠VIGYÁZAT:** Ezen kiegészítőket és tartozékokat javasoljuk a kézikönyvben ismertetett Makita számszámhoz. Bármilyen más

kiegészítő vagy tartozék használata a személyi sérülés kockázatával jár. A

kiegészítőt vagy tartozékokat csak rendeltetészerűen használja.

Ha bármilyen segítségre vagy további információra van szüksége ezekkel a tartozékokkal kapcsolatban, keresse fel a helyi Makita Szervizközpontot.

- Fűrészlánc
- Vezetőrúd
- Láncvezető burkolat
- Lánckerék
- Reszelő
- Eredeti Makita akkumulátor  
és töltő

**▲ FIGYELMEZTETÉS:** Ha a tartozéktól eltérő méretű láncvezetőt vásárol, vásároljon hozzá egy megfelelő méretű vezetőfedelelet is. Úgy kell illeszkednie a láncfűrész láncvezetőjére, hogy teljesen letakarja azt.

**MEGJEGYZÉS:** A listán felsorolt néhány kiegészítő megtalálható az eszköz csomagolásában standard kiegészítőként. Ezek országonként eltérőek lehetnek.

## TECHNICKÉ ŠPECIFIKÁCIE

Model:		DUC256	DUC306	DUC356	DUC406	DUC256C	
Celková dĺžka (bez vodiacej lišty)	270 mm						
Menovité napätie	Jednosmerný prúd 36 V						
Čistá hmotnosť	*1	4,2 kg					
	*2	4,6 – 4,8 kg	4,7 – 4,9 kg	4,8 – 5,0 kg	4,8 – 5,1 kg	4,6 – 4,7 kg	
Štandardná dĺžka vodiacej lišty	250 mm	300 mm	350 mm	400 mm	250 mm		
Odporúčaná dĺžka vodiacej lišty	s 90PX	250 – 400 mm				–	
	s 91PX	250 – 400 mm				–	
	s 25AP	–				250 mm	
Použiteľný typ pílovej reťaze (pozri tabuľku nižšie)	90PX 91PX			25AP			
Štandardné reťazové koleso	Počet zubov	6				9	
	Stúpanie závitů	3/8"				1/4"	
Rýchlosť reťaze	0 – 20 m/s (0 – 1 200 m/min)						
Objem nádržky na reťazový olej	200 cm <sup>3</sup>						

\* Vzhľadom k neustálemu výskumu a vývoju podliehajú technické údaje uvedené v tomto dokumentezmenám bez upozornenia.

Typ pílovej reťaze		90PX			
Počet vodiacich článkov	40		46	52	56
Vodiaca lišta	Dĺžka vodiacej lišty	mm	mm	mm	mm
	Dĺžka rezu	mm	mm	mm	mm
	Stúpanie závitů	3/8"			
	Rozmer	1,1 mm			
	Typ	Lišta s ozubeným koncom			
Reťazové koleso	Počet zubov	6			
	Stúpanie závitů	3/8"			

\* Technické údaje sa môžu pre rôzne krajiny líšiť.

- \*1: Hmotnosť s najväčším akumulátorom, prázdnu olejovú nádržkou a  
 bez vodiacej lišty a reťaze v súlade s normou EN ISO 11681-  
 2.
- \*2: Najľahšia a najťažšia kombinácia hmotností podľa postupu EPTA  
 01/2014. Hmotnosť sa môže líšiť v závislosti od nadstavcov vrátane akumulátora.

### Použiteľné akumulátory

BL1830 / BL1830B / BL1840 / BL1840B / BL1850 / BL1850B / BL1860B

- Niektoré vyššie uvedené akumulátory môžu byť nedostupné v závislosti od miesta vášho bydliska.

**VAROVANIE:** Používajte iba akumulátory zo zoznamu uvedeného vyššie. Používanie akýchkoľvek iných akumulátorov môže spôsobiť zranenie a/alebo požiar.

### Kombinácia pílvej reťaze, vodiacej lišty a reťazového kolesa

Typ pílvej reťaze			91PX			
Počet vodiacich článkov			40	46	52	56
Vodiaca lišta	Dĺžka vodiacej lišty		250 mm	300 mm	350 mm	400 mm
	Dĺžka rezu		238 mm	294 mm	350 mm	387 mm
	Stúpanie závit		3/8"			
	Rozmer		1,3 mm			
	Typ		Lišta s ozubeným koncom			
Refazové koleso	Počet zubov		6			
	Stúpanie závit		3/8"			
Typ pílvej reťaze			25AP			
Počet vodiacich článkov			60			
Vodiaca lišta	Dĺžka vodiacej lišty		250 mm			
	Dĺžka rezu		253 mm			
	Stúpanie závit		1/4"			
	Rozmer		1,3 mm			
	Typ		Oblúčková lišta			
Refazové koleso	Počet zubov		9			
	Stúpanie závit		1/4"			

**VAROVANIE:** Použite vhodnú kombináciu vodiacej lišty a pilovej reťaze. V opačnom prípade to môže viesť k zraneniu.

## Symbols

Nižšie sú uvedené symboly, s ktorými sa môžete stretnúť pri použití nástroja. Je dôležité, aby ste poznali ich význam, skôr než začnete pracovať.

	Prečítajte si návod na obsluhu.
	Používajte ochranné okuliare.
	Používajte ochranu sluchu.
	Používajte prilbu, okuliare a chrániče sluchu.
	Používajte primeranú ochranu pre chodidlá-nohy a ruky-ramená.
	Túto pilu smú používať len riadne vyškolení operátori.
	Nevystavujte účinkom vlhkosti.
	Maximálna dovolená dĺžka rezu
	Pri práci s reťazovou pilou vždy používajte obe ruky.
	Dávajte pozor na spätný náraz reťazovej pily a vyhnite sa kontaktu s hrotom lišty.
	Smer pohybu reťaze

### Model DUC256C

Úroveň akustického tlaku ( $L_{pA}$ ): 89

dB (A)  
Úroveň akustického tlaku ( $L_{WA}$ ):

103 dB (A)  
Odchýlka (K): 3 dB (A)

<b>POZNÁMKA:</b>	Deklarovaná hodnota
emisí hluku bola meraná	
podľa štandardnej	
skúšobnej metódy a môže	
sa použiť na	
porovnanie jedného nástroja s	
druhým.	

<b>POZNÁMKA:</b>	Deklarovaná hodnota
emisí hluku sa môže	
použiť aj na	
predbežné posúdenie vystavenia ich	
účinkom.	



Nastavenie množstva oleja pre pilovú reťaz



Len pre štáty EÚ  
Nevyhadzujte elektrické zariadenia ani batériu do komunálneho odpadu!  
Podľa európskej smernice o nakladaní s použitými elektrickými a elektronickými zariadeniami a smernice o batériách a akumulátoroch a odpadových batériách a akumulátoroch a ich implementovaní v súlade s právnymi predpismi jednotlivých krajín je nutné elektrické zariadenia a batérie po skončení ich životnosti triediť a odovzdať na zberné miesto vykonávajúce environmentálne kompatibilné recyklovanie.

## Určené použitie

Nástroj je určený na rezanie konárov a prerezávanie stromov. Je vhodný aj na starostlivosť o stromy.

## Hluk

Typická hladina akustického tlaku záťaže A určená podľa štandardu EN ISO 11681-2:

### Model DUC256

Úroveň akustického tlaku ( $L_{pA}$ ): 89 dB (A)  
Úroveň akustického tlaku ( $L_{WA}$ ): 103 dB (A)  
Odchýlka (K): 3 dB (A)

### Model DUC306

Úroveň akustického tlaku ( $L_{pA}$ ): 89 dB (A)  
Úroveň akustického tlaku ( $L_{WA}$ ): 103 dB (A)  
Odchýlka (K): 3 dB (A)

### Model DUC356

Úroveň akustického tlaku ( $L_{pA}$ ): 89 dB (A)  
Úroveň akustického tlaku ( $L_{WA}$ ): 103 dB (A)  
Odchýlka (K): 3 dB (A)

### Model DUC406

Úroveň akustického tlaku ( $L_{pA}$ ): 89 dB (A)  
Úroveň akustického tlaku ( $L_{WA}$ ): 103 dB (A)  
Odchýlka (K): 3 dB (A)

**VAROVANIE:** Používajte ochranu sluchu.

**VAROVANIE:** Emisie hluku sa môžu počas skutočného používania elektrického nástroja odlišovať od deklarovanej hodnoty, a to v závislosti od spôsobov používania náradia a najmä typu spracúvaného obrobku.

**VAROVANIE:** Nezabudnite označiť bezpečnostné opatrenia s cieľom chrániť obsluhu, a to tie, ktoré sa zakladajú na odhade vystavenia účinkom v rámci reálnych podmienok používania (berúc do úvahy všetky súčasti prevádzkového cyklu, ako sú doby, kedy je nástroj vypnutý a kedy beží bez zaťaženia, ako dodatok k dobe zapnutia).

## Vibrácie

Celková hodnota vibrácií (trojosový vektorový súčet) určená podľa štandardu EN ISO 11681-2:

### Model DUC256

Režim činnosti: rezanie dreva

Emisie vibrácií ( $a_{h,w}$ ): 3,2 m/s<sup>2</sup>

Odchýlka (K): 1,5 m/s<sup>2</sup>

#### Model DUC306

Režim činnosti: rezanie dreva

Emisie vibrácií ( $a_{h,w}$ ): 3,2 m/s<sup>2</sup>

Odchýlka (K): 1,5 m/s<sup>2</sup>

#### Model DUC356

Režim činnosti: rezanie dreva

Emisie vibrácií ( $a_{h,w}$ ): 3,2 m/s<sup>2</sup>

Odchýlka (K): 1,5 m/s<sup>2</sup>

#### Model DUC406

Režim činnosti: rezanie dreva

Emisie vibrácií ( $a_{h,w}$ ): 3,2 m/s<sup>2</sup>

Odchýlka (K): 1,5 m/s<sup>2</sup>

#### Model DUC256C

Režim činnosti: rezanie dreva

Emisie vibrácií ( $a_{h,w}$ ): 2,5 m/s<sup>2</sup> alebo

menej

Odchýlka (K): 1,5 m/s<sup>2</sup>

<b>POZNÁMKA:</b>	Deklarovaná hodnota podľa skúšobnej metódy sa porovnanie jedného druhým.	celková meraná bola štandardnej a môže na nástroja s
------------------	--	--

<b>POZNÁMKA:</b>	Deklarovaná hodnota použiteľ na predbežné posúdenie účinkom.	celková meraná bola štandardnej a môže na nástroja s
------------------	--	--

**VAROVANIE:** Emisie vibrácií sa môžu počas skutočného používania elektrického nástroja odlišovať od deklarovanej hodnoty, a to v závislosti od spôsobov používania náradia a najmä typu spracúvaného obrobku.

**VAROVANIE:** Nezapomnite označiť bezpečnostné opatrenia s cieľom chrániť obsluhu, a to tie, ktoré sa zakladajú na odhade vystavenia účinkom v rámci reálnych podmienok používania (berúc do úvahy všetky súčasti prevádzkového cyklu, ako sú doby, kedy je nástroj vypnutý a kedy beží bez zaťaženia, ako dodatok k dobe zapnutia).

### Vyhlasenie o zhode ES

#### Len pre krajiny Európy

Vyhlasenie o nachádza v návodu na	zhode prílohe A	ES A	sa tohto
-----------------------------------	-----------------	------	----------

## BEZPEČNOSTNÉ VAROVANIA

### Všeobecné bezpečnostné predpisy pre elektrické nástroje

**VAROVANIE:** Preštudujte si všetky bezpečnostné varovania, pokyny, vyobrazenia a technické špecifikácie určené pre tento elektrický nástroj. Pri nedodržaní všetkých uvedených pokynov môže dôjsť k úrazu elektrickým prúdom, požiaru alebo vážnemu zraneniu.

### Všetky výstrahy a pokyny si odložte pre prípad potreby v budúcnosti.

Pojem „elektrický nástroj“ sa vo výstrahách vzťahuje na elektricky napájané elektrické nástroje (s káblom) alebo batériou napájané elektrické nástroje (bez kábla).

### Bezpečnostné výstrahy pre akumulátorovú reťazovú pílu

- Pri práci s reťazovou pilou sa žiadnou časťou tela nepribližujte k pilovej reťazi. Pred spustením reťazovej pily skontrolujte, či sa pilová reťaz ničoho nedotýka.**

Chvíľa nepozornosti	počas práce
s reťazovou pilou	môže zapríčiniť zamotanie vášho odevu alebo tela do reťaze pily.
- Reťazovú pílu vždy držte pravou rukou za hornú rukoväť a ľavou rukou za prednú rukoväť.**

Pri reťazovej píle	opačnom držaní sa zvyšuje riziko osobného poranenia, preto sa tak nesmie nikdy držať.
--------------------	---
- Elektrické náradie držte pri práci len za izolované úchopné povrchy, pretože pilová reťaz sa môže dostať do kontaktu so skrytými vodičmi.**

Pilová reťaz,	ktorá sa dostane do kontaktu s vodičom pod napätím, môže vystaviť kovové časti elektrického náradia živému prúdu a viesť tak k zasiahnutiu operátora elektrickým prúdom.
---------------	--
- Používajte bezpečnostné okuliare a chrániče sluchu.**

Odporúča sa používať dodatočné ochranné vybavenie pre hlavu, ruky, nohy a
---

- |  |                     |                         |             |          |          |         |
|--|---------------------|-------------------------|-------------|----------|----------|---------|
|  | chodidlá.           | Primeraný ochranný odev | reťaze      | píly     | pozdĺž   | horného |
|  | znižuje             | riziko poranení od      | okraja      | vodiacej | lišty    | môže    |
|  | odletujúcich        | triesok, prípadne       | dôjsť       | k        | rýchlemu |         |
|  | náhodných kontaktov | s pílovou               | nadskočeniu |          | vodiacej | lišty   |
|  | reťazou.            |                         | dozadu      | smerom   | k        |         |
5. **Vždy udržiajte stabilný postoj.**
6. **Pri rezaní napnutého konára dávajte pozor na spätný svih.** Pri uvoľnení napätia vo vláknach dreva môže uvoľnená vetva udrieť operátora a/ alebo spôsobiť stratu kontroly nad reťazovou pílou.
7. **Pri rezaní kríkov a porastu buďte obzvlášť opatrní.** Tenké materiály sa môžu zachytiť o reťaz píly a šľahnúť smerom k vám, prípadne spôsobiť stratu rovnováhy.
8. **Reťazovú pílu prenášajte vo vypnutom stave za prednú rukoväť a držte ju pritom od tela. Pri prenášaní alebo pred uskladnením reťazovej píly vždy nasadte kryt vodiacej lišty.** Správne zaobchádzanie s reťazovou pílou znižuje riziko náhodného kontaktu s jej pohybujúcou sa reťazou.
9. **Pri mazaní, nastavovaní napnutia reťaze a výmene príslušenstva postupujte podľa pokynov.** Nesprávne napnutá alebo namazaná reťaz sa môže pretrhnúť alebo zvýšiť riziko spätného nárazu.
10. **Rukoväť udržiavajte suché, čisté, bez znečistenia olejom a mazivom.** Mastné alebo zaolejované rukoväť sú šmyklavé a môžu spôsobiť stratu kontroly.
11. **Režte len drevo. Nepoužívajte reťazovú pílu na iné ako určené účely.** Napríklad: nepoužívajte reťazovú pílu na rezanie plastov, muriva alebo nedrevených stavebných materiálov. Pri používaní reťazovej píly na iné ako stanovené účely by mohlo dôjsť k nebezpečným situáciám.
12. **Príčiny a prevencia vzniku spätného nárazu: K spätnému nárazu môže dôjsť keď sa predná časť alebo hrot vodiacej lišty dotkne nejakého objektu alebo keď drevo uzavrie a priškrtní reťaz píly v reze. Pri kontakte hrotu môže v niektorých prípadoch dôjsť k náhlejšej reakcii a úderu vodiacej lišty nahor a dozadu smerom k operátorovi. Pri priškrtení**
- |  |               |              |                |             |
|--|---------------|--------------|----------------|-------------|
|  | reakcie       | môžu         | spôsobiť       | stratu      |
|  | kontroly      | nad          | reťazovou      | pílou.      |
|  | následné      | vážne        | zranenie.      |             |
|  | Nespoliehajte | sa           | výhradne       |             |
|  | na            | bezpečnostné | vybavenie      | namontované |
|  | píle.         | Ako          | používateľ     | reťazovej   |
|  | píly          | musíte       | vykonať        | niekoľko    |
|  | krokov,       | aby          | pri            | rezaní      |
|  | nedošlo       | k            | nehode         | alebo       |
|  | poraneniu.    | Spätný       | náraz          | je          |
|  | dôsledkom     | nesprávneho  | používania     | píly        |
|  | nesprávnych   | a/alebo      | prevádzkových  | postupov    |
|  | alebo         | podmienok    | a              | možno       |
|  | sa            | mu           | vyhnúť         |             |
|  | vykonaním     | príslušných  | bezpečnostných | opatrení    |
|  | uvedených     | nižšie:      |                |             |
|  | • Udržiavajte | pevný        | úchop,         | príčom      |
|  | palce         | a            | prsty          |             |
|  | obopínajú     | rukoväť      | píly,          | obe         |
|  | ruky          | sú           | na             | píle        |
|  | a             | ste          | v              | postoji     |
|  | tela          | a            | polohe         | rúk,        |
|  | ktoré         | umožňujú     | vzdorovať      | silám       |
|  | spätných      | nárazov.     | Operátor       | môže        |
|  | mať           | pod          | kontrolou      | sily        |
|  | spätných      | nárazov,     | ak             | vykoná      |
|  | príslušné     | bezpečnostné | opatrenia.     | Reťazovú    |
|  |               |              |                | pílu        |
|  |               |              |                | nepúšťajte. |
- **Obr.1**
- |  |               |               |             |
|--|---------------|---------------|-------------|
|  | • Nezasahujte | ani           | nerežte     |
|  | nad           | úroveň        | pliec.      |
|  | dopomôžete    | zabrániť      | Tým         |
|  | náhodnému     | kontaktu      | s           |
|  | hrotom        | a             | zabezpečíte |
|  | si            | lepšie        | ovládanie   |
|  | v             | neočakávaných | píly        |
|  | situáciách.   |               |             |
|  | • Používajte  | výhradne      | náhradné    |
|  | a             | reťaze,       | ktoré       |
|  | výrobca.      | Nesprávne     | náhradné    |
|  | a             | reťaze        | môžu        |
|  | pretrhnutie   | reťaze        | a/alebo     |
|  | náraz.        |               | spätný      |
|  | • Pri         | ostrení       | a           |
|  | oddržiavajte  | reťazovú      | pílu.       |
|  | pre           | reťazovú      | pílu.       |
|  | zmenšenie     | výšky         | hlbkového   |
|  | sa            | môže          | zvýšiť      |
|  | spätného      | nárazu.       | riziko      |
13. **Pred začatím práce skontrolujte, či je reťazová píla v správnom prevádzkovom**

stave a či tento stav spĺňa bezpečnostné predpisy. Skontrolujte najmä to, či:

- brzda reťaze funguje správne;
  - zastavovacia brzda funguje správne;
  - lišta a kryt reťazového kola sú správne upevnené;
  - reťaz bola naostrená a napnutá podľa predpisov.
14. **Nespúšťajte reťazovú pílu s nainštalovaným krytom reťaze.** Spustenie reťazovej píly s nainštalovaným krytom reťaze môže spôsobiť jeho odhodenie dopredu s dôsledkom osobných poranení a poškodenia objektov okolo operátora.

Ďalšie bezpečnostné varovania:

1. Keď sa nástroj používa s adaptérom akumulátora, dávajte pozor, aby ste počas prevádzky nezakopli o kábel.
2. Keď sa nástroj používa s adaptérom akumulátora, počas prevádzky udržiavajte kábel mimo prekážok, ako sú napríklad obrobok a vetvy. Kábel zachytený o prekážky môže spôsobiť vážne zranenia.

## Bezpečnostné varovania pre reťazovú pílu s hornou rukoväťou

1. Táto reťazová píla je určená najmä na starostlivosť o stromy a prerezávanie stromov. Túto reťazovú pílu smú používať len riadne vyškolené osoby. Dodržujte všetky pokyny, postupy a odporúčania príslušnej profesijnej organizácie. V opačnom prípade môže dôjsť k smrteľným nehodám. Na rezanie v stromoch vždy odporúčame používať vysokozdvížnú plošinu (na oberanie ovocia a pod.). Techniky lezenia s istením lanom sú výnimočne nebezpečné a vyžadujú špeciálny výcvik. Operátori musia byť vyškolení na oboznámenie sa s bezpečným používaním vybavenia a technikami lezenia. Pri práci v stromoch vždy používajte vhodné remene, laná a karabíny. Vždy používajte zaistovacie vybavenie pre operátora aj pílu.
2. Pred uskladnením vykonajte čistenie a údržbu v súlade s týmto návodom na obsluhu.
3. Zaistíte bezpečné umiestnenie reťazovej píly počas prepravy autom, aby sa zabránilo úniku paliva alebo reťazového oleja, poškodeniu nástroja a zraneniu osôb.
4. Pravidelne kontrolujte funkčnosť brzdy reťaze.
5. Nenalievajte reťazový olej v blízkosti ohňa. Pri nalievaní reťazového oleja nikdy nefajčíte.

6. Miestne predpisy môžu obmedzovať používanie reťazovej píly.
7. Ak bude zariadenie vystavené silnému nárazu alebo ak spadne, pred pokračovaním v práci skontrolujte jeho stav. Skontrolujte funkčnosť ovládacích prvkov a bezpečnostných zariadení. V prípade poškodenia alebo v prípade pochybností požiadajte naše autorizované servisné stredisko o vykonanie kontroly a opravy.
8. Pred spustením reťazovej píly vždy aktivujte brzdu reťaze.
9. Pílu držte pevne, aby sa zabránilo pokľznutiu (šmykovému pohybu) alebo odrazeniu píly pri začatí rezu.
10. Na konci rezu buďte opatrní, aby ste udržali rovnováhu z dôvodu odpadnutia dreva.
11. Berte do úvahy smer a rýchlosť vetra. Vyhýbajte sa tvorbe prúdu pilín a hmly z reťazového oleja.

Ochranné pomôcky

1. V záujme predchádzania zraneniam hlavy, očí, rúk alebo nôh, ale tiež na ochranu sluchu sa počas prevádzky reťazovej píly musia používať tieto ochranné pomôcky:
  - Oblečenie musí byť vhodné, t. j. priliehavé, nesmie však obmedzovať pohyby. Nenoste šperky ani odev, ktorý by sa mohol zachytiť do alebo krovia. Ak máte dlhé vlasy, vždy sietku na vlasy!
  - Pri práci s reťazovou pilou je vždy potrebné nosiť ochrannú prilbu. V pravidelných intervaloch treba kontrolovať, či ochranná prilba nie je poškodená, a minimálne každých 5 rokov ju treba vymeniť.
  - Používajte len schválené ochranné prilby.
  - Tvárový štít ochrannej prilby (alebo ochranné okuliare) chráni pred pilinami a kúskami dreva. Počas práce s reťazovou pilou vždy noste ochranné okuliare alebo tvárový štít na zabránenie poranenia očí.
  - Noste vhodné zariadenie na ochranu pred hlukom (tlmiče na uši, štuple do uší a pod.)
  - Ochranný plášť pozostáva z 22 vrstiev nylonu a chráni operátora pred

porezaním. Je	nutné	ho
vždy nosiť	pri	práci
na vysokozdvížných		plošinách
(na oberanie	ovocia	a
pod.), na	plošinách	
upevnených	na	rebríku
alebo pri	lezení	s
lanami.		

— **Ochranný overal s golierom a chráničom**

<b>hrudníka</b>	je	zhotovený	z
nylonovej látky		s	22
vrstvami	a	chráni	pred
porezaním. Dôrazne		odporúčame	
používať	ho.		

— **Ochranné rukavice**

hrubej kože	vyrobené	z
predpísaného	sú	súčasťou
počas práce	s	vybavenia a
reťazovou píľou	je	
bezpodmienečne	nutné	mať
ich	nasadené.	

— **Počas práce**

reťazovou píľou	s	
operátor vždy	musí	mať
	obuté	

**bezpečnostné topánky** alebo  
**bezpečnostné čižmy** s

protišmykovou	podrážkou,	
oceľovými špičkami	a	ochranou
nohy.	Bezpečnostná	obuv
vybavená ochrannou	vrstvou	poskytuje
ochranu pred	porezaním a	
zaisťuje bezpečný	postoj. Pri	
práci v	stromoch	musí
byť bezpečnostná	obuv	
vhodná na	techniky	lezenia.

**Vibrácie**

1. U

osôb	s	nedostatočným
prúdením krvi	vystavených	vibráciám môže
nadmerným		poškodeniu
dôjsť k		nervového systému.
ciev	alebo	spôsobiť výskyt
Vibrácie môžu		v prstoch,
týchto príznakov		v zápästiach:
rukách alebo		„pohybu“
„nemožnosť		tŕpnutie, bolesť,
(z necitlivenie),		zmena sfarbenia
pocit pichania,		alebo zmena pokožky.
pokožky alebo		

**Ak sa vyskytnú niektoré z týchto**

<b>príznakov, navštívte lekára!</b> Na	zniženie
rizika „choroby bielych	prstov“
majte počas obsluhy	
zariadenia ruky v	teple
a zariadenie a	
príslušenstvo	udržiavajte v
dobrom stave.	

**TIETO POKYNY USCHOVAJTE.**

**VAROVANIE:** NIKDY nepripustíte, aby sebavedomie a dobrá znalosť výrobku (získané opakovaným používaním) nahradili presné dodržiavanie bezpečnostných pravidiel pre náradie. **NESPRÁVNE POUŽÍVANIE** alebo nedodržiavanie bezpečnostných zásad uvedených v tomto návode môže viesť k vážnemu zraneniu.

**Dôležité bezpečnostné a prevádzkové pokyny pre akumulátor**

1. Pred použitím akumulátora si prečítajte všetky pokyny a výstavné označenia na (1) nabíjačke akumulátorov, (2) akumulátore a (3) produkte používajúcom akumulátor.
2. Akumulátor nerozoberajte.
3. Ak sa doba prevádzky príliš skráti, ihneď prerušte prácu. Môže nastať riziko prehriatia, možných popálením či dokonca explózie.
4. V prípade zasiahnutia očí elektrolytom ich vypláchnite čistou vodou a okamžite vyhľadajte lekársku pomoc. Môže dôjsť k strate zraku.
5. Akumulátor neskratujte:
  - (1) **Nedotýkajte sa konektorov žiadnym vodivým materiálom.**
  - (2) **Neskladujte akumulátor v obale s inými kovovými predmetmi, napríklad kľúčmi, mincami a pod.**
  - (3) **Akumulátor nevystavujte vode ani dažďu. Skrat akumulátora môže spôsobiť veľký tok prúdu, prehriate, možné popáleniny či dokonca poruchu.**
6. **Neskladujte nástroj ani akumulátory na miestach s teplotou presahujúcou 50 °C (122 °F).**
7. **Akumulátor nespálujte, ani keď je vážne poškodený alebo úplne opotrebovaný. Akumulátor môže v ohni explodovať.**
8. **Dávajte pozor, aby akumulátor nespadol, a nevystavujte ho nárazom.**
9. **Nepoužívajte poškodený akumulátor.**
10. **Lítium-iónové akumulátory, ktoré sú súčasťou náradia, podliehajú požiadavkám legislatívy o nebezpečnom tovare.**

V prípade obchodnej prepravy, napr. dodanie tretími stranami či špeditériami, sa musia dodržiavať špeciálne požiadavky na zabalenie a označenie.

Pred prípravou položky na odoslanie sa vyžaduje konzultácia odborníkom na nebezpečný materiál. Taktiež treba dodržiavať potenciálne podrobnejšie predpisy príslušnej krajiny.

horúci akumulátor vychladnúť.

4. **Lítium-iónový akumulátor nabíte, ak ste ho nepoužívali dlhšie ako šesť mesiacov.**

## POPIS SÚČASTÍ

Obr.2

1	Indikátor akumulátora	2	Tlačidlo kontroly	3	Spúšťač spínač
4	Horná rukoväť	5	Poistná páčka	6	Kryt prednej rukoväte
7	Vodiaca lišta	8	Pílová reťaz	9	Zachytávač reťaze
10	Upevňovacia matica	11	Nastavovacia reťaze skrutka	12	Akumulátor
13	Indikátor napájania	14	Indikátor režimu	15	Hlavný vypínač
16	Kryt	17	Nastavovacia (pre olejové čerpadlo) skrutka	18	Karabína
19	Predná rukoväť	20	Veko olejovej nádržky	21	Klinový tmič
22	Kryt vodiacej lišty	-	-	-	-

kontakty a zabaľte akumulátortak, aby sa v balíku nemohol voľne pohybovať.

- Akumulátor pri likvidácii odstráňte z nástroja a zlikvidujte ho na bezpečnom mieste. Akumulátor zlikvidujte v súlade s miestnymi nariadeniami.**
- Akumulátory používajte iba s výrobkami uvedenými spoločnosťou Makita.**  
Inštalácia akumulátorov do nevyhovujúcich výrobkov môže spôsobiť požiar, nadmerné teplo, výbuch alebo únik elektrolytov.
- Ak sa nástroj dlhší čas nepoužíva, odstráňte z neho akumulátor.**

## TIETO POKYNY USCHOVAJTE.

### **POZOR: Používajte len originálne akumulátory od spoločnosti Makita.**

Používanie batérií, ktoré nie sú od spoločnosti Makita, alebo upravených batérií môže spôsobiť výbuch batérie a následný požiar, zranenie osôb alebo škodeniu majetku. Následkom bude aj zrušenie záruky od spoločnosti Makita na nástroj a nabíjačku od spoločnosti Makita.

### **Rady na udržanie maximálnej životnosti akumulátora**

- Akumulátor nabíte ešte predtým, ako sa úplne vybije. Vždy prerušte prácu s nástrojom a nabíte akumulátor, keď spozorujete nižší výkon nástroja.**
- Nikdy nenabíjate plne nabitý akumulátor. Prebíjanie skracuje životnosť akumulátora.**
- Akumulátor nabíjajte pri izbovej teplote 10 °C – 40 °C (50 °F – 104 °F). Pred nabíjaním nechajte**

# OPIS FUNKCIÍ

**⚠ POZOR:** Pred úpravou alebo kontrolou funkčnosti nástroja vždy skontrolujte, či je nástroj vypnutý a akumulátor je vybratý.

## Inštalácia alebo demontáž akumulátora

**⚠ POZOR:** Pred inštaláciou alebo vybratím akumulátora nástroj vždy vypnite.

**⚠ POZOR:** Pri inštalovaní a vyberaní akumulátora pevne uchopíte nástroj a akumulátor.

Ak nástroj a akumulátor pevne neuchopíte, môže to mať za následok vyšmyknutie z vašich rúk s dôsledkom poškodenia nástroja a akumulátora, ako aj osobných poranení.

► **Obr.3:** 1. Červený indikátor 2. Tlačidlo 3. Akumulátor

Ak chcete vybrať akumulátor, vysuňte ho z nástroja, pričom posuňte tlačidlo na prednej strane akumulátora. Akumulátor vložte tak, že jazýček akumulátora zarovnáte s drážkou v kryte a zasuniete ho na miesto. Zatlačte ho úplne, kým zakliknutím nezapadne na miesto. Ak vidíte červený indikátor na hornej strane tlačidla, nie je správne zapadnutý.

**⚠ POZOR:** Akumulátor vždy nainštalujte úplne, až kým nie je vidieť červený indikátor. V opačnom prípade môže





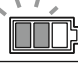


**⚠** náhodne vypadnúť z nástroja a ublížiť vám alebo osobám v okolí.

**POZOR:** Pri inštalovaní akumulátora nepoužívajte silu. Ak akumulátor nedá zasunúť ľahko, nevkladáte ho správne.

## Indikácia zvyšnej kapacity akumulátora

► **Obr.4:** 1. Indikátor akumulátora 2. Tlačidlo kontroly

Stlačením tlačidla kontroly zobrazíte zostávajúcu kapacitu akumulátora. Indikátory akumulátora zodpovedajú každému akumulátoru.

Stav indikátora akumulátora			Zostávajúca kapacita akumulátora
 Svetí	 Nesvetí	 Bliká	
			50 100 %
			20
			0
			Akumulátor nabité






















## Indikácia zvyšnej kapacity akumulátora

**Len na akumulátory s indikátorom**

► **Obr.5:** 1. Indikátory 2. Tlačidlo kontroly

Stlačením tlačidla kontroly na akumulátore zobrazíte zostávajúcu kapacitu akumulátora. Indikátory sa na niekoľko sekúnd rozsvietia.

## Systém na ochranu nástroja/ akumulátora

Indikátory			Zostávajúca kapacita
			
			75 100 %
			50
			25
			0
			Akumulátor nabité.
			Akumulátor je chybný.

**POZNÁMKA:** V závislosti od

a	v	závislosti od	okolitej
	teploty	sa môže	zobrazenie mierne odlišovať od
	skutočnej	kapacity.	

Nástroj je vybavený systémom ochrany nástroja/akumulátora. Tento systém automaticky vypne napájanie motora a akumulátora. Nástroj sa počas prevádzky automaticky zastaví v prípade, ak sa nástroj alebo akumulátor dostanú do nasledujúcich stavov:

## Ochrana proti preťaženiu

Keď sa akumulátor používa spôsobom, ktorý spôsobuje nadmerný odtok prúdu, nástroj sa automaticky zastaví a indikátor napájania bude blikať nazeleno. V tejto situácii vypnite nástroj a ukončíte prácu, ktorá spôsobuje jeho preťažovanie. Potom nástroj zapnutím znova spustíte.

## Ochrana pred prehrievaním

Ak je nástroj alebo akumulátor prehriaty, nástroj sa automaticky zastaví a indikátor napájania bude svietiť načerveno. V takomto prípade nechajte nástroj a akumulátor pred opätovným spustením vychladnúť.

<b>POZNÁMKA:</b>	V	prostredí s	
	vysokou teplotou	sa	
	pravdepodobne	aktivuje	ochrana
	proti prehriatiu	a	nástroj
	sa automaticky		zastaví.

## Ochrana pred nadmerným vybitím

Keď je kapacita akumulátora nedostatočná, nástroj sa automaticky vypne a indikátor napájania bude blikať načerveno. V takom prípade vyberte akumulátor z nástroja a nabite ho.

## Hlavný vypínač

**VAROVANIE:** Ak sa náradie nepoužíva, hlavný vypínač treba vždy vypnúť.

Ak chcete nástroj zapnúť, držte stlačený hlavný vypínač, kým indikátor napájania nebude svietiť nazeleno. Opätovným stlačením hlavného vypínača pílu vypnete.

► **Obr.6:** 1. Indikátor napájania 2. Indikátor režimu 3. Hlavný vypínač

<b>POZNÁMKA:</b>	Indikátor nazeleno, ak vyťahnete stave. Indikátor platí jedna z nasledujúcich	Indikátor napájania bliká spúšťací spínač neprevádzkovom bliká, keď z podmienok.
•	Keď zapnete súčasne hlavný nástroj a spúšťací držiak	vypínač a poistnú páčku spínač.
•	Keď vyťahnete je aplikovaná brzda	spúšťací spínač, pričom reťaze.
•	Keď uvoľníte držiak stláčate	brzdu reťaze, pričom páčku spínač a
<b>POZNÁMKA:</b>	Tento nástroj disponuje funkciou vypnutia. Hlavný automaticky po jeho spúšťací zabránilo spusteniu.	Hlavný vypínač vypne, ak dobe od nevyťahnete sa automatického vypínača, aby sa neúmyselnému spusteniu.

Nástroj môžete používať v režime zvýšeného krútiaceho momentu na rezanie hrubých alebo ťažkých konárov. Ak chcete nástroj používať v režime zvýšeného krútiaceho momentu, keď je vypnutý, stlačte hlavný vypínač na niekoľko sekúnd, kým nebude indikátor režimu svietiť nazeleno.

<b>POZNÁMKA:</b>	Nástroj v režime krútiaceho momentu sekúnd. V podmienu používania režim normálneho menej ako	môžete zvýšeného momentu max. 60 V závislosti od tento do režimu za 60 sekúnd.	používať
------------------	--	--	----------

<b>POZNÁMKA:</b>	Ak	po	stlačení
hlavného	vypínača	na	niekoľko
sekúnd	indikátor	režimu	bliká
nazeleno,	režim	zvýšeného	
krútiaceho	momentu	nie	je
k	dispozícií.	V	takomto
pripade	postupjvte	podľa	
nasledujúcich	krokov.		
•	Režim	zvýšeného	krútiaceho
momentu	nie	je	k
dispozícií	ihneď	po	
dokončení	rezania.	Počkajte	aspoň
10	sekúnd	a	potom
znova	stlačte	hlavný	vypínač
na	niekoľko	sekúnd.	
•	Ak	režim	zvýšeného
momentu	použijete	viackrát,	jeho
použitie	sa	obmedzí	s
cieľom	ochrany	baterie.	Ak
režim	zvýšeného	krútiaceho	
momentu	nie	je	k
dispozícií	ani	po	viac
než	10	sekundách,	
vymeňte	akumulátor	za	úplne
nabitý	alebo	nabite	aktuálny
akumulátor.			
<b>POZNÁMKA:</b>	Ak	indikátor	
napájania	svieti	načerveno	alebo
bliká	načerveno	alebo	
nazeleno,	pozrite	si	pokyny
pre	systém	na	ochranu
nástroja/akumulátora.			

## Zapínanie

**VAROVANIE:** Pre vašu bezpečnosť je náradie vybavené poistnou páčkou, ktorá bráni neúmyselnému spusteniu náradia. Náradie NIKDY nepoužívajte, ak ste ho do prevádzky uviedli len potiahnutím spúšťacieho spínača a nestlačili pritom poistnú páčku. PRED ďalším použitím vráťte náradie do autorizovaného servisného strediska, kde ho dôkladne opravia.

**VAROVANIE:** NIKDY nezrušte účel ani funkciu poistnej páčky.

**POZOR:** Pred vložením akumulátora do nástroja sa vždy presvedčite, či spúšťací spínač funguje správne a po uvoľnení sa vráti do pozície „OFF“.

**UPOZORNENIE:** Spúšťací spínač potiahnite len so súčasným stlačením poistnej páčky. V opačnom prípade sa môže zlomiť spínač.

Spúšťací	spínač	je	pred	
náhodným	potiahnutím		chránený	poistnou
páčkou.	Ak	chcete	spustiť	nástroj,
zatlačte	poistnú	páčku	a	
potiahnite	spúšťací	spínač.	Otáčky	nástroja
sa	zvyšujú	zvýšovaním	tlaku	

na spúšťací spínač. Nástroj zastavíte uvoľnením spúšťacieho spínača.

► **Obr.7:** 1. Spúšťací spínač 2.

Poistná páčka

## Kontrola brzdy reťaze

**POZOR:** Pri spúšťaní držte pílu obidvomi rukami. Pravou rukou držte hornú rukoväť, ľavou prednú rukoväť. Tyč ani reťaz sa nesmú ničoho dotýkať.

**POZOR:** Ak sa pri tejto skúške reťaz okamžite nezastaví, pílu nesmiete za žiadnych okolností používať. Poradte sa s autorizovaným servisným strediskom.

1. Stlačte poistnú páčku, potom vytiahnite spúšťací spínač. Píla sa okamžite spustí.
  2. Zadnou stranou ruky zatlačte predný chránič rúk dopredu. Skontrolujte, či sa reťazová píla okamžite zastaví.
- **Obr.8:** 1. Kryt prednej rukoväte
2. Odistená poloha
  3. Uzamknutá poloha

## Kontrola zastavovacej brzdy

**POZOR:** Ak sa pílová reťaz pri tejto skúške nezastaví v priebehu dvoch sekúnd, reťazovú pílu prestaňte používať a kontaktujte autorizované servisné stredisko.

Spustite reťazovú pílu a potom úplne uvoľnite spúšťací spínač. Pílová reťaz sa musí zastaviť do dvoch sekúnd.

## Nastavenie mazania reťaze

Rýchlosť dávkovania olejového čerpadla môžete nastaviť pomocou nastavovacej skrutky a univerzálneho kľúča. Množstvo oleja možno nastaviť v 3 krokoch. Otvorte kryt na úpravu nastavovacej skrutky.

► **Obr.9:** 1. Kryt 2. Nastavovacia skrutka

## Karabína (bod pripevnenia lana)

Nástroj môžete zavesiť upevnením lana ku karabíne.

Vytiahnite karabínu a uväzajte ju s lanom.

► **Obr.10:** 1. Karabína

## Klinový tmič

Nástroj je štandardne vybavený klinovým tmičom. O výmenu klinového tmiča požiadajte autorizované servisné strediská spoločnosti Makita.

Počas rezania nasadzte klinový tlmič na kmeň a pouzite ho ako páku.

## Elektronické funkcie

Nástroj je kvôli jednoduchšej obsluhu vybavený elektronickými funkciami.

- Regulácia konštantných otáčok Funkcia ovládania otáčok zaisťuje stále otáčky bez ohľadu na záťaž.

## ZOSTAVENIE

**POZOR:** Pred vykonaním akejkoľvek práce na nástroji vždy skontrolujte, či je nástroj vypnutý a akumulátor je vybratý.

**POZOR:** Reťaze pily sa nedotýkajte holými rukami. Pri manipulácii s reťazou pily vždy používajte rukavice.

## Demontáž alebo inštalácia reťaze pily

**POZOR:** Reťaz pily aj vodiaca lišta sú po prevádzke horúce. Pred vykonávaním akejkoľvek činnosti na náradí ich nechajte dostatočne vychladnúť.

**POZOR:** Postup inštalácie alebo demontáže pilovej reťaze vykonávajte na čistom mieste bez výskytu pilín a podobných materiálov.

Reťaz pily demontujte podľa nasledovných krokov:

1. Uvoľnite brzdú reťaze potiahnutím predného chrániča rúk.

2. Uvoľnite nastavovaciu skrutku reťaze, potom upevňovaciu maticu.

► **Obr.11:** 1. Nastavovacia skrutka

2. Upevňovacia matica

3. Odstráňte kryt reťazovéhohokolesa a potom z tela reťazovej pily odstráňte reťaz a vodiacu lištu.

Píllovú reťaz nainštalujte nasledovne:

1. Skontrolujte smer píllovej reťaze. Dbajte na to, aby smer píllovej reťaze zodpovedal značke na reťazovej pily.

2. Jeden koniec píllovej reťaze založte na špičku vodiacej lišty.

3. Druhý koniec píllovej reťaze nasadzte okolo reťazovéhohokolesa, potom vodiacu lištu upevnite k telu reťazovej pily tak, aby otvor na vodiacej lište bol kolíkom na zarovnaný s kolíkom na tele reťazovej pily.

► **Obr.12:** 1. Reťazové koleso

2. Otvor

4. Vložte výčnelok a kolík na kryte reťazovéhohokolesa do tela reťazovej pily a potom zatvorte kryt tak, aby boli skrutka a kolík na tele reťazovej pily svojich náprotivkoch na kryte.

► **Obr.13:** 1. Výčnelok 2.

Kryt reťazovéhohokolesa 3. Skrutka 4. Kolík

5. Utlahnite upevňovaciu maticu na upevnenie krytu reťazovéhohokolesa, potom ju mierne uvoľnite na nastavenie napnutia.

► **Obr.14:** 1. Upevňovacia

matica

## Nastavenie napätia píllovej reťaze

**POZOR:** Píllovú reťaz neuhajte nadmerne. Nadmerné napätie píllovej reťaze môže spôsobiť roztrhnutie píllovej reťaze a opotrebovanie vodiacej lišty.

**POZOR:** Príliš voľná reťaz môže vyskočiť z lišty, čo predstavuje riziko úrazu.

Po mnohých hodinách používania sa môže reťaz uvoľniť. Občas pred použitím skontrolujte napätie píllovej reťaze.

1. Uvoľnite brzdú reťaze potiahnutím predného chrániča rúk.

2. Upevňovaciu maticu mierne uvoľnite, čím mierne uvoľníte kryt reťazovéhohokolesa. ► **Obr.15:**

1. Upevňovacia matica

3. Mierne nadvihnite hrot vodiacej lišty a nastavte napnutie reťaze. Otočením nastavovacej skrutky reťaze v smere hodinových ručičiek proti smeru hodinových ručičiek povolíte.

**Pre čepeľ reťaze 90PX a 91PX:**

Uťahujte spodnú kofajničku	pílovú stranu vodiacej Pílová reťaz. Obr.16: 1. reťaz	reťaz, nezapadne do lišty (pozri obrázok).	kým jed	jej
2.	3. Nastavovacia reťaze	Vodiaca lišta		
		skrutka		

### Pre čepel' reťaze 25AP:

Uťahnite medzera vodiacej bola 2	pílovú medzi lišty približne 1 mm.	reťaz stredom a 1	tak, dolnej pílovou mm	aby strany reťazou až
4.	Vodiacu pridržiavajte kryt	lištu a reťazovéhohokolesa.	naďalej a	zľahka utiahnite

### Pre čepel' reťaze 90PX a 91PX:

Skontrolujte, reťaz spodnej reťaze 25AP:

Uistite stredom 1	sa, dolnej pílovou mm	že strany reťazou až	medzera vodiacej je približne 2	medzi lišty približne mm.
-------------------	-----------------------	----------------------	---------------------------------	---------------------------

5.	Uťahnite čím reťazovéhohokolesa. Upevňovacia	upevňovaciu zaistíte kryt	maticu, kryt	Obr.17: 1.
----	--	---------------------------	--------------	------------

vyprázdnení doplňte olej až po spodnú hranu hrdla lievika. Prívod oleja môže byť v opačnom prípade narušený.

**UPOZORNENIE:** Používajte olej pílovej reťaze určený výhradne pre reťazové píly značky Makita alebo podobný olej dostupný na trhu.

**UPOZORNENIE:** Nikdy nepoužívajte olej obsahujúci prášok a čiastočky alebo prchavý olej.

**UPOZORNENIE:** Pri prerezávaní stromov používajte botanický olej. Minerálny olej môže poškodiť stromy.

**UPOZORNENIE:** Pred rezaním vždy skontrolujte, či je prislušné veko olejovej nádržky dobre zaskrutkované.

## PRÁCA S REŤAZOVOU PÍLOU

**POZOR:** Ak je motor píly v prevádzke, nepribližujte sa telom k pílovej reťazi.

**POZOR:** Ak je motor v prevádzke, pílu držte pevne obidvomí rukami.

**POZOR:** Pri práci sa nenaťahujte do diaľky. Udržujte vždy správny postoj a rovnováhu.

**UPOZORNENIE:** Náradím nikdy nehádzte a dajte pozor, aby vám nespadlo.

**UPOZORNENIE:** Nezakrývajte vetracie otvory náradia.

## PREVÁDZKA

### Mazanie

Pílová náradia Množstvo olejovej okienko doplnenie nabok veko množstvo Po či pevne ►	reťaz sa automaticky zostávajúceho nádržke na nádržky a olejovej oleja doplnení je utiahnuté.	reťaz sa počas maže. oleja v kontrolujte množstva reťazovú a Správne 200 ml. skontrolujte, olejovej nádržky ►	činnosti	
	Obr.18: 1. kontrolu	Veko olejovej nádržky množstva oleja		

Po pílu Spustíte kým namazaním pílovej	doplnení ďalej ju dôjde	držte od a k reťazovú stromu. počkajte, dostatočnému reťaze. ►	Obr.19	
--	-------------------------	--	--------	--

**UPOZORNENIE:** Pri prvom plnení oleja do píly alebo pri doplnení nádržky po úplnom

## Prerezávanie stromov

Pred píly dôjst lišty operátora. pomoci ►	zapnutím k V k s Píľte smerom vlastnej	priložte vetve, opačnom rozkmitaníu následkom poranenia požadované nadol len váhy	telo ktorú prípade vodiacej reťazovej píly. ►
---	--	---	---

**Obr.20**

Ak jeden na pílení, mierne	nemôžete záber: rukoväť a pričom ťahajte späť. ►	drevo aplikujete a reťazovú späť. ►	prerezať na mierny tlak pokračujte v pílu ►
----------------------------	--	-------------------------------------	---

**Obr.21**

Pri urobte potom	rezaní plytký rez	hrubých zárez dokončíte	konárov zospodu zhora. ►	najprv a ►
------------------	-------------------	-------------------------	--------------------------	------------

**Obr.22**

Ak konár zatvoríť v pokúsíte bez môže	sa zospodu, a reze. odrezať plytkého rozštiepiť. ►	konár konár priškripnúť sa hrubý konár zhora sa	sa ►	►
---------------------------------------	--	---	------	---

**Obr.23**

## Prenášanie náradia

Pred aplikujte vždy odstráňte pripojte Akumulátor akumulátora. ► vodiacej akumulátora

prenášanim vždy brzdu akumulátory. kryt vodiacej lišty

náradia reťaze a Potom lišty, prikryté krytom

1. Kryt

2. Kryt

## ÚDRŽBA

**▲ POZOR:** Pred vykonaním kontroly alebo údržby vždy skontrolujte, či je nástroj vypnutý a akumulátor je vybratý.

**▲ POZOR:** Pri kontrole alebo údržbe používajte vždy rukavice.

**UPOZORNENIE:** Nepoužívajte benzín, riedidlo, alkohol ani podobné látky. Mohlo by to spôsobiť zmenu farby, deformácie alebo praskliny.

Ak chcete udržať a prenechajte nastavenie na továrenských používajú len Makita.

chcete udržať opravy, autorizované centrá náhradné diely

BEZPEČNOSŤ výrobu, údržbu a alebo ktoré značky

## Ostrenie pílovej reťaze

Reťaz ostríte, keď:

- pri rezaní vznikajú prachové dreva piliny;
- reťaz vniká do dreva aj pri veľkom tlaku;
- je rezacia hrana zjavne poškodená;
- píla ťahá napravo alebo ľavo (spôsobuje to nerovnomerné reťaze alebo na jednej strane).

Pílovú reťaz vždy odstráňte materiálu. Na stačiaci brúsny pilník. Ak pilu niekoľkokrát ju servisnom

reťaz odstráňte len dva alebo pilník. Ak v ostriťe len bežné alebo tri ostriťe (často, ale trochu ostriťe zvyčajne tri ťahy reťaz ostrená, nechať autorizovanom

Kritériá ostrenia:

**▲ VAROVANIE:** Nadmerná vzdialenosť medzi reznou hranou a hĺbkovým dorazom zvyšuje nebezpečenstvo vzniku spätného nárazu.

► Obr.25: 1. Dĺžka noža  
2. Vzdialenosť

	medzi a	reznou hĺbkovým	hranou dorazom
	3. noža	Minimálna (3 mm)	dĺžka (mm)
—	Dĺžka	všetkých byť nemusí dĺžkam plynulo dôjsť	nožov rovnaká. kvôli rôznym funkciám a môže poškodeniu
—	Reťaz	pílovej neostriťe, noža mm Reťaz za	reťaze. ak dosiahla alebo vymeniť
—	Hrúbku	triesok medzi (okružla reznou	určuje vzdialenosť dorazom (časť) a
—	Najlepšie	reznou reznou nasledovnej	dosiachnete pri vzdiale-
	nosti medzi hĺbkovým	reznou dorazom.	hranou a
•	Čepel 0,65 mm	reťaze mm	90PX :
•	Čepel 0,65 mm	reťaze mm	91PX :
•	Čepel 0,65 mm	reťaze mm	25AP :
►	<b>Obr.26</b>		
—	Na všetkých uhol v reťaz nerovnomerne, opotrebovanie poškodzuje	nožoch ostrenia uhle funguje zrnčujúce a poškodzuje	musí byť Rozdiely spôsobujú, že drsne a zrýchľuje sa reťaz.
—	Používajte pilník, zubom reťaze	vhodný aby zachoval ostriťe. • Čepel 90PX	okružly sa správny Čepel : 55°
•	Čepel 55°	reťaze	91PX :
•	Čepel 55°	reťaze	25AP :
	<b>Pilník a vedenie pilníka</b>		
—	Na ostrenie okružly pilník (príslušenstvo) reťaze. Bežné nie sú	reťaz pilník (voliteľné) pre okružle vhodné.	používajte špeciálny pilové pilníky
—	Priemer každú nasledovný:	okružleho pilovú reťaz	pre je
•	Čepel 4,5 mm	reťaze mm	90PX :
•	Čepel 4,0 mm	reťaze mm	91PX :

•	Čepel 4,0	reťaze mm	25AP	:
—	Pilník sa noži	musí len	pohybovať smerom do	po dopredu.
	Pri návrate východiskovej pilník	návrate z	polohy noža.	zdvihnute
—	Najprv	naostríte	najkratší nôž.	
	Dĺžka noža pre pillovej	tohto bude všetky reťaze.	najkratšieho štandardnou ostatné nože	
—	Pilníkom obrázka. ► Pilník	2. pohybuje má	podľa Obr.27: 1. reťaz	
—	Pilník sa ak príslušenstvo).	pohybuje má značky uhol ostrenia (zarovnajete značky reťazou) a vniknutia (na pilníka).	omnoho držiak Držiak pre 30° paralelne s obmedzením 4/5 priemeru	ľahšie, (voliteľné pilníka správny
►	Obr.28: 1.	Držiak	pilníka	
—	Po naostrení výšku náradia reťaze	reťaze hĺbkového na kontrolu (voliteľné)	skontrolujte dorazu pomocou kontrolu dorazu príslušenstvo).	
►	Obr.29			
—	Osobitným príslušenstvo) čo prečnieva, len	plochým pilníkom (voliteľné) odstráňte aj keď		
—		Znovu časť	zaoblíte prednú hĺbkového dorazu.	

## Čistenie vodiacej lišty

V budú prachové lišty oleja. odstráňte výmene	drážke hromadiť piliny. upchať Triesky vždy pillovej	vodiackej triesky Tie a pri reťaze. ►	lišty a môžu narušiť prachové ostrení	sa drážku prietok piliny alebo
			Obr.30	

## Čistenie krytu reťazového kola

Vnútri budú piliny. koleso vyčistíte ►	krytu hromadiť piliny. a triesky	reťazového náradia a pilových a	okolesa a reťazové reťaz a prachové piliny.	sa prachové reťazové a piliny.
				Obr.31

## Čistenie otvoru pre vypúšťanie oleja

V sa malé Tento zhoršiť nedostatočné V oleja vodiacej vypúšťanie	otvore môžu častice prach alebo vypúšťanie	na počas alebo alebo mazanie celej reťaze. prípadе nedostatočného na reťaz na lišty vyčistite otvor na uvedeným spôsobom.	vypúšťanie oleja prevádzky usadiť jemný prach. častice môžu spôsobiť a reťaze. privodu konci na
--	--	---	---

- Z náradia reťazového kolesa odstráňte kryt a reťaz.
- Vyberte jemný prach alebo častice pomocou skrutkovača alebo podobným nástrojom.
  - Obr.32: 1. Plochý skrutkovač 2. Otvor na vypustenie oleja
- Vložte akumulátor do náradia. Potiahnite spúšťač a vypustíte reťazový olej, aby sa z otvoru na vypustenie oleja vyplavil nahromadený prach a častice.
- Z náradia vyberte akumulátor. Na náradie opäť namontujte kryt reťazového kolesa a reťaz.

## Výmena reťazového kola

**▲ POZOR:** Opotrebované reťazové koleso poškodí novú reťaz. V takom prípade vymeňte reťazové koleso.

Pred vloženíím novvej reťaze skontrolujte stav reťazového kolesa.

► Obr.33: 1. Reťazové koleso 2. Opotrebované oblasti

Pri výmene reťazového kolesa vymeňte vždy aj poistný krúžok.

► Obr.34: 1. Poistný krúžok 2. Reťazové koleso

**UPOZORNENIE:** Skontrolujte, či je reťazové koleso namontované podľa obrázka.

## Uskladnenie náradia

- Náradie pred skladovaním vyčistíte. Po vybratí reťazového kolesa z náradia odstráňte všetky triesky a prachové piliny.

2. Náradie po vyčistení spustite  
bez záťaže, aby sa  
premazala pilová reťaz a  
vodiaca lišta.
3. Vodiacu lištu zakryte krytom  
na vodiacu lištu.
4. Vyprázdnite olejovú nádržku.

## Pokyny na pravidelnú údržbu

Na zaistenie dlhej životnosti, predídenie poškodeniu a zabezpečenie plnej funkčnosti bezpečnostných funkcií treba pravidelne vykonávať nasledujúcu údržbu. Právo na záruku možno uznať len v prípade poruchy. Pri nevhodnej údržbe môže dôjsť k nehodám! Používateľ autorizované servisné stredisko.

Položka na kontrolu/prevádzkový čas		Pred prevádzkou	Každý deň	Každý týždeň	Každé 3 mesiace	Raz za rok	Pred skladovaním
Reťazová píla	Kontrola.	✓	-	-	-	-	-
	Čistenie.	-	✓	-	-	-	-
	Nechajte skontrolovať v autorizovanom servisnom stredisku.	-	-	-	-	✓	✓
Pílová reťaz	Kontrola.	✓	-	-	-	-	-
	V prípade potreby naostrite.	-	-	-	-	-	✓
Vodiaca lišta	Kontrola.	✓	✓	-	-	-	-
	Demontujte z reťazovej pily.	-	-	-	-	-	✓
Brzda reťaze	Skontrolujte funkčnosť.	✓	-	-	-	-	-
	Pravidelne nechajte skontrolovať v autorizovanom servisnom stredisku.	-	-	-	✓	-	-
Mazanie reťaze	Skontrolujte rýchlosť dávkovania oleja.	✓	-	-	-	-	-
Spúšťací spínač	Kontrola.	✓	-	-	-	-	-
Poistná páčka	Kontrola.	✓	-	-	-	-	-

Veko ol ejovej ná držky	Skontrolujte tesnosť.	✓	-	-	-	-	-
Zachytávač re ťaze	Kontrola.	-	-	✓	-	-	-
Skrutky a matice	Kontrola.	-	-	✓	-	-	-

## RIEŠENIE PROBLÉMOV

Pred požiadanim o vykonanie opravy najprv vykonajte vlastnú kontrolu. Ak zistíte problém, ktorý nie je vysvetlený v návode, nepokúšajte sa nástroj rozobrať. Namiesto toho požiadajte o opravu autorizované servisné strediská spoločnosti Makita, ktoré používajú len náhradné diely značky Makita.

Stav poruchy	Príčina	Činnosť
Reťazová píla neštartuje.	Nie je nainštalovaný akumulátor.	Vložte nabitý akumulátor.
	Problém s akumulátorom (nízke napätie).	Akumulátory znova nabite. Pokiaľ je nabíjanie účinné, vymeňte akumulátor.
	Hlavný vypínač je vypnutý.	Reťazová píla sa automaticky vypne, ak sa počas doby nepoužíva. Znovu zapnite hlavný vypínač.
Pílová reťaz sa nespúšťa.	Brzda reťaze aktivovaná.	Uvoľnite brzdú reťaze.
Motor po krátkom používaní zastane.	Nabitie akumulátora nie je dostatočné.	Akumulátory znova nabite. Pokiaľ je nabíjanie účinné, vymeňte akumulátor.
Na reťazi nie je žiadny olej.	Olejová nádržka je prázdna.	Naplňte olejovú nádržku.
	Znečistená vodiaca drážka oleja.	Očistite drážku.
	Nedostatočný prívod oleja.	Upravte množstvo oleja prívodu pomocou nastavovacej skrutky.
Reťazová píla nedosahuje MAXIMÁLNE OTÁČKY.	Akumulátor nie je nainštalovaný správne.	Akumulátory nainštalujte podľa popisu v tomto návode.
	Výkon akumulátora klesá.	Akumulátor znova nabite. Pokiaľ je nabíjanie účinné, vymeňte akumulátor.

			Systém pohonu nefunguje správne.	O	opravu požiadajte autorizované servisné stredisko vo vašom regióne.
Indikátor napájania nazeleno.	bliká		Spúšťací spínač ste vytiahli pri neprevádzkovom stave.	Spúšťací	spínač zapnutí vypínača uvoľnení reťaze. vytlahnite po hlavného a brzdy
Reťaz sa ani zaradení reťaze: <b>náradie zastavte!</b>	nezastaví po brzdy <b>okamžite</b>		Brzdový pás je opotrebovaný.	O	opravu požiadajte autorizované servisné stredisko vo vašom regióne.
Nadmerné vibrácie: <b>okamžite náradie zastavte!</b>			Uvoľnite vodiacu lištu alebo reťaz.	Nastavte	vodiacu lištu a napnutie pilovej
			Porucha náradia.	O	opravu požiadajte autorizované servisné stredisko vo vašom regióne.
Režim zvýšeného momentu k výmene úplne	krútiaceho momentu je po výmene akumulátora za nabitý.		V závislosti od podmienok režim krútiaceho momentu je po výmene akumulátora.	Používajte	nástroj v normálnom režime, sa akumulátor nevybije, a vymeňte za nabitý akumulátor. aktuálny
Píllová reťaz nedá sa nainštalovať.			Kombinácia pilovej reťaze a kolesa je nesprávna.	Použite	správnu kombináciu pilovej reťaze a kolesa podľa časti o technických špecifikáciách.

## VOLITEĽNÉ PRÍSLUŠENSTVO

**⚠ POZOR:** Pre váš nástroj Makita, opísaný v tomto návode, doporučujeme používať toto príslušenstvo a nástavce. Pri použití iného príslušenstva alebo nástavcov môže hroziť nebezpečenstvo zranenia osôb. Príslušenstvo a nástavce sa môžu používať len na účely pre ne stanovené.

Ak potrebujete bližšie informácie týkajúce sa tohoto príslušenstva, obráťte sa na vaše miestne servisné stredisko firmy Makita.

- Píllová reťaz
- Vodiaca lišta
- Kryt vodiacej lišty
- Reťazové koleso
- Pilník
- Originálna batéria a nabíjačka Makita

**VAROVANIE:** Pri zakúpení vodiacej lišty s inou dĺžkou, ako má štandardná vodiaca lišta, si musíte zakúpiť aj vhodný kryt vodiacej lišty. Ten musí správne sedieť a úplne zakrývať vodiacu lištu na reťazovej pile.

**POZNÁMKA:** Niektoré položky zo zoznamu môžu byť súčasťou balenia nástrojov vo forme štandardného príslušenstva. Rozsah týchto položiek môže byť v každej krajine odlišný.

# ČESKY (Původní návod k používání)

## SPECIFIKACE

Model:		DUC256	DUC306	DUC356	DUC406	DUC256C
Celková délka vodící tyče) (bez		270 mm				
Jmenovité napětí		36 V DC				
Čistá hmotnost	*1	4,2 kg				
	*2	4,6 – 4,8 kg	4,7 – 4,9 kg	4,8 – 5,0 kg	4,8 – 5,1 kg	4,6 – 4,7 kg
Standardní délka vodící tyče		250 mm	300 mm	350 mm	400 mm	250 mm
Doporučená délka vodící tyče	s 90PX	250 – 400 mm				-
	s 91PX	250 – 400 mm				-
	s 25AP	-				250 mm
Vhodný typ pilového řetězu (viz tabulka dole)		90PX 91PX				25AP
Standardní řetězové kolo	Počet zubů	6				9
	Rozteč	3/8"				1/4"
Rychlost řetězu		0 – 20 m/s (0 – 1 200 m/min)				
Objem nádrže na řetězový olej		200 cm <sup>3</sup>				

- Vzhledem k neustálému výzkumu a vývoji zde uvedené technické údaje podléhají změnám bez upozornění.
- Specifikace se mohou pro různé země lišit.

\*1: Hmotnost s největším akumulátorem a prázdnou olejovou nádrží, bez vodící tyče a řetězu, dle normy EN ISO 11681-2.

\*2: Nejlehčí a nejtěžší kombinace hmotnosti dle normy EPTA-Procedure 01/2014. Hmotnost se může lišit v závislosti na nástavcích a přídatných zařízeních, včetně akumulátoru.

### Použitelný akumulátor

BL1830 / BL1830B / BL1840 / BL1840B / BL1850 / BL1850B / BL1860B

- V závislosti na regionu vašeho bydliště nemusí být některé akumulátory k dispozici.

**VAROVÁNÍ:** Používejte pouze výše uvedené akumulátory. Použití jiných akumulátorů může způsobit zranění a/nebo požár.

### Kombinace pilový řetěz, vodící tyč a řetězové kolo

Typ pilový řetěz		90PX			
Počet vodících článků		40	46	52	56

Vodící lišta	Délka vodící lišty	250 mm	300 mm	350 mm	400 mm
	Délka řezu	238 mm	294 mm	350 mm	387 mm
	Rozteč	3/8"			
	Šířka vodící drážky	1,1 mm			
	Typ	Lišta s řetězovým kolem na konci			
Řetězové kolo	Počet zubů	6			
	Rozteč	3/8"			
<b>Typ pilového řetězu</b>		<b>91PX</b>			
Počet vodících článků	40	46	52	56	
Vodící lišta	Délka vodící lišty	250 mm	300 mm	350 mm	400 mm
	Délka řezu	238 mm	294 mm	350 mm	387 mm
	Rozteč	3/8"			
	Šířka vodící drážky	1,3 mm			
	Typ	Lišta s řetězovým kolem na konci			
Řetězové kolo	Počet zubů	6			
	Rozteč	3/8"			
<b>Typ pilového řetězu</b>		<b>25AP</b>			
Počet vodících článků	60				
Vodící lišta	Délka vodící lišty	250 mm			
	Délka řezu	253 mm			
	Rozteč	1/4"			
	Šířka vodící drážky	1,3 mm			
	Typ	Křivková lišta			
Řetězové kolo	Počet zubů	9			
	Rozteč	1/4"			
<p><b>VAROVÁNÍ:</b> Použijte odpovídající kombinaci vodící lišty a pilového řetězu. V opačném případě může dojít ke zranění.</p>					








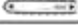




## Symbols

akumulátor se nářadí nelikví dříve současně s kterými se můžete abyste domovním při důležité, abyste

Ni-MH EU  
 odpadem! Níže Vzhledem k dřívě, než

Pouze pro země  
 Li-ion Elektrické jsou uvedeny dodržování evropských nic o  
 zařízení ani symboly, směrpoužití odpadních

s ním začnete pracovat, pochopili jejich význam.

	Přečtete si návod k obsluze.
	Noste ochranné brýle.
	Používejte ochranu sluchu.
	Používejte přilbu, brýle a ochranu sluchu.
	Používejte vhodnou ochranu nohou a rukou.
	Tuto pilu smí používat pouze řádně vyškolená obsluha.
	Nevystavujte vlhkosti.
	Maximální přípustná délka řezu
	Během obsluhování řetězové pily vždy používejte obě ruce.
	Dávejte pozor na zpětný ráz pilového řetězu a vyhybte se kontaktu se špičkou lišty.
	Směr pohybu řetězu
	Seřízení mazání řetězu pily olejem

elektrických a elektronick-

kých zařízeních a směrnice o bateriích, akumulátorech a odpadních bateriích a akumulátorech s jejich implementací v sou-

## Účel použití

Nářadí je určeno k řezání větvi a prořezávání stromů. Je také vhodné pro údržbu stromů.

## Hlučnost

Typická vážená hladina hluku (A) určená podle normy EN ISO 11681-2:

### Model DUC256

Hladina akustického tlaku ( $L_{pA}$ ): 89 dB(A)  
 Hladina akustického výkonu ( $L_{WA}$ ): 103 dB (A)  
 Nejistota (K): 3 dB(A)

### Model DUC306

Hladina akustického tlaku ( $L_{pA}$ ): 89 dB(A)  
 Hladina akustického výkonu ( $L_{WA}$ ): 103 dB (A)  
 Nejistota (K): 3 dB(A)

### Model DUC356

Hladina akustického tlaku ( $L_{pA}$ ): 89 dB(A)  
 Hladina akustického výkonu ( $L_{WA}$ ): 103 dB (A)  
 Nejistota (K): 3dB(A)

### Model DUC406

Hladina akustického tlaku ( $L_{pA}$ ): 89 dB(A)  
 Hladina akustického výkonu ( $L_{WA}$ ): 103 dB (A)  
 Nejistota (K): 3dB(A)

### Model DUC256C

Hladina akustického tlaku ( $L_{pA}$ ): 89 dB (A)  
 Hladina akustického výkonu ( $L_{WA}$ ): 103 dB (A)  
 Nejistota (K): 3 dB (A)

**POZNÁMKA:** Celková(é) hodnota(y) emisí hluku

ladu s národními zákony musí být elektrická zařízení, baterie a akumulátory po skončení životnosti oddělené a předány do ekologicky kompatibilního recyklačního zařízení.

byla(y)	změřena(y)v	souladu	
se	standardní zkušební	metodou	a
dá	se	použít	k
porovnání	nářadí	mezi	sebou.
<b>POZNÁMKA:</b>	Hodnotu(y)	deklarovaných	
emisi	hluku	lze	také
použít	k	předběžnému	
posouzení	míry	expozice	vibracím.

**VAROVÁNÍ:** Používejte ochranu sluchu.

**VAROVÁNÍ:** Emise hluku se při používání elektrického nářadí ve skutečnosti mohou od deklarované(y) hodnot(y) lišit v závislosti na způsobech použití nářadí.

**VAROVÁNÍ:** Nezapomeňte stanovit bezpečnostní opatření na ochranu obsluhy podle odhadu expozice ve skutečných podmínkách použití. (Vezměte přitom v úvahu všechny části provozního cyklu, tj. kromě doby zátěže například doby, kdy je nářadí vypnuté a kdy běží naprázdno.)

## Vibrace

Celková hodnota tří os)	vibrací určená podle normy	(vektorový součet podle normy
EN ISO 11681-2:		

### Model DUC256

Pracovní režim:	Řezání dřeva
Emise vibrací ( $a_{h,w}$ ):	3,2 m/s <sup>2</sup>
Nejistota (K):	1,5 m/s <sup>2</sup>

### Model DUC306

Pracovní režim:	Řezání dřeva
Emise vibrací ( $a_{h,w}$ ):	3,2 m/s <sup>2</sup>
Nejistota (K):	1,5 m/s <sup>2</sup>

### Model DUC356

Pracovní režim:	Řezání dřeva
Emise vibrací ( $a_{h,w}$ ):	3,2 m/s <sup>2</sup>
Nejistota (K):	1,5 m/s <sup>2</sup>

### Model DUC406

Pracovní režim:	Řezání dřeva
Emise vibrací ( $a_{h,w}$ ):	3,2 m/s <sup>2</sup>
Nejistota (K):	1,5 m/s <sup>2</sup>

### Model DUC256C

Pracovní režim:	Řezání dřeva	nebo
Emise vibrací ( $a_{h,w}$ ):	2,5 m/s <sup>2</sup>	
méně		
Nejistota (K):	1,5 m/s <sup>2</sup>	

**POZNÁMKA:** Celková(é) hodnota(y) deklarovaných vibrací byla(y) změřena(y)v souladu se standardní zkušební metodou a dá se použít k porovnání nářadí mezi sebou.

**POZNÁMKA:** Celkovou(é) hodnotu(y) deklarovaných vibrací lze také použít k předběžnému posouzení míry expozice vibracím.

**VAROVÁNÍ:** Emise vibrací se při používání elektrického nářadí ve skutečnosti mohou od deklarované(y) hodnot(y) lišit v závislosti na způsobech použití nářadí.

**VAROVÁNÍ:** Nezapomeňte stanovit bezpečnostní opatření na ochranu obsluhy podle odhadu expozice ve skutečných podmínkách použití. (Vezměte přitom v úvahu všechny části provozního cyklu, tj. kromě doby zátěže například doby, kdy je nářadí vypnuté a kdy běží naprázdno.)

## Prohlášení ES o shodě

*Pouze pro evropské země*

Prohlášení ES	o shodě	je
obsaženo v	Příloze A	tohoto
návodu k	obsluze.	

## BEZPEČOSTNÍ VÝSTRAHY

### Obecná bezpečnostní upozornění k elektrickému nářadí

**VAROVÁNÍ:** Přečtěte si všechny bezpečnostní výstrahy i pokyny a prohlédněte si ilustrace a specifikace dodané k tomuto elektrickému nářadí. Nedodržení všech níže uvedených pokynů může vést k úrazu elektrickým proudem, požáru či vážnému zranění.

## Všechna upozornění a pokyny si uschovejte pro budoucí potřebu.

Pojem „elektrické nářadí“ v upozorněních označuje elektrické nářadí, které se zapojuje do elektrické sítě, nebo elektrické nářadí využívající akumulátory.

## Varování k akumulátorové řetězové pile

- Je-li řetěz pily v pohybu, udržujte všechny končtiny mimo dosah řetězu. Před zapnutím řetězové pily se ujistěte, že se řetěz ničeho nedotýká.** Budete-li při používání řetězové pily jen chvíli nepozorní, může dojít ke kontaktu řetězu s vaším oblečením nebo tělem.

2. **Řetězovou pilu držte vždy pravou rukou za horní držadlo a levou rukou za přední držadlo.**  
Budete-li řetězovou pilu držet obráceně, bude hrozit větší nebezpečí úrazu, proto se tomu vyhněte.
3. **Elektrické nářadí držte pouze za izolované části držadel, neboť při práci s řetězovou pilou můžete narazit na skryté elektrické vedení.** Při kontaktu řetězové pily s vodičem pod napětím se může proud přenést do nechráněných kovových částí nářadí a obsluha může utrpět úraz elektrickým proudem.
4. **Používejte ochranu zraku a sluchu.**  
Doporučuje se také dodatečná ochrana hlavy, rukou a nohou. Adekvátní oblečení zamezí zranění odlétávajícími třískami a nechtěnému kontaktu s řetězem pily.
5. **Vždy udržujte řádný a pevný postoj.**
6. **Při řezání napnuté větve dávejte pozor na zpětný ráz.** Když se napětí ve dřevě uvolní, napnutá větev může zasáhnout obsluhu nebo způsobit ztrátu kontroly nad pilou.
7. **Při řezání keřů a malých stromů dbejte mimořádné pozornosti.** Pružný materiál může pilu zachytit a vymrštít se nebo způsobit, že ztratíte rovnováhu.
8. **Při přenášení držte řetězovou pilu za přední rukojeť, nechte ji vypnutou a držte ji tak, aby mířila směrem od vašeho těla. Při přepravě nebo skladování vždy nasadte kryt vodičí lišty.** Správnou manipulací s řetězovou pilou lze snížit riziko nechtěného kontaktu s pohyblivým řetězem pily.
9. **Dodržujte pokyny týkající se mazání, napínání řetězu a výměny příslušenství.**  
Nesprávně napnutý nebo namazaný řetěz se může přetrhnout nebo zvýšit pravděpodobnost zpětného rázu.
10. **Držadla udržujte suchá, čistá a chráňte je před olejem a mazacím tukem.** Mastné rukojeti jsou kluzké a mohou způsobit ztrátu kontroly nad nástrojem.
11. **Řezajte pouze dřevo. Nepoužívejte řetězovou pilu k účelům, pro které není určena.** Příklad: nepoužívejte řetězovou pilu k řezání plastu, zdiva nebo nedřevěných stavebních materiálů. Použití řetězové pily k účelu, ke kterému není určena, může být nebezpečné.
12. **Příčiny a prevence zpětného rázu:**  
Když se špička vodičí dotkne předmětu nebo dřeva, řetěz se sevře a může se zpětně vrátit. Při kontaktu špičky řetězu s náhlé se zvedne nahoru a směřem k uživateli. Při sevření řetězu částí vodičí může dojít k rychlému pohybu vodičí směrem k uživateli. V těchto situacích můžete ztratit kontrolu nad pilou, což může mít za následek vážné zranění. Nespoléhejte se jen na bezpečnostní zařízení, která jsou součástí pily. Jako uživatel řetězové pily byste měli podniknout veškerá opatření, která jsou zamezení nehody zranění.
- Zpětný ráz je důsledkem špatného použití a/nebo nesprávných pracovních postupů či podmínek. Lze mu vyhnout přijetím odpovídajících opatření, která jsou uvedena níže:
- Udržujte pevné sevření tak, aby palce a prsty objímaly rukojeti pily. Držte pilu oběma rukama a stůjte tak, abyste odolat případnému zpětnému rázu. Jsou-li učiněna vhodná opatření, obsluha může zpětný ráz kontrolovat. Nepouštějte pilu.
  - Nezacházejte příliš daleko a neřežte nad výškou ramen. Můžete tak předejít kontaktu špičky s lepším ovládním řetězové pily v situacích. Používejte pouze řetězy určené výrobcem. Při nesprávných náhradních lištách použití náhradních lišt

- |   |           |        |       |
|---|-----------|--------|-------|
| a | řetězů    | může   | dojít |
| k | přetržení | řetězu | nebo  |
|   | zpětnému  | rázu.  |       |
- Dodržujte pokyny výrobce týkající se broušení a údržby řetězu pily. Zmenšení výšky hloubkového míť za následek větší zpětný ráz.
13. Před zahájením práce zkontrolujte, zda je řetězová pila v řádném provozním stavu a zda odpovídá požadavkům bezpečnostních směrnic. Konkrétně zkontrolujte: •
- Správnou funkci brzdy řetězu;
  - Správnou funkci doběhové brzdy;
  - Správné upevnění lišty a řetězového kola;
  - Naostření a napnutí řetězu v souladu se směrnicemi.
14. Řetězovou pilu nespouštějte s nasazeným krytem řetězu. Spuštění řetězové pily s nasazeným krytem může způsobit odmrštění krytu vpřed s následným zraněním či poškozením objektů v okolí obsluhy.

#### Další bezpečnostní výstrahy:

1. Když používáte nářadí s připojeným adaptérem akumulátoru, dávejte pozor, abyste nezakopli o kabel.
2. Když používáte nářadí s připojeným adaptérem akumulátoru, ved'te kabel v dostatečné vzdálenosti od různých překážek, jako jsou obrobky nebo větve. Jestliže se kabel zachytí za nějakou překážku, může to způsobit vážné zranění.

## Specifická bezpečnostní varování pro řetězovou pilu s horním držadlem

1. Tato řetězová pila je navržena speciálně k údržbě a prořezávání stromů. Tuto řetězovou pilu smí používat jen vhodné vyškolené osoby. Dodržujte všechny pokyny, postupy a doporučení od relevantních profesních organizací. Jinak může dojít k vážným nehodám. Doporučuje se vždy při řezání stromů používat zdvihací plochu (pojízdná plošina, výtah). Slaňovací techniky jsou extrémně nebezpečné a vyžadují speciální trénink. Obsluha musí být vyškolená tak, aby dobře znala bezpečnostní vybavení a techniky lezení. Při práci na stromech vždy používejte vhodné popruhy, lana a karabiny. Vždy používejte zadržovací zařízení pro obsluhu i pilu.

2. Před uskladněním nářadí vždy proveďte čištění a údržbu, a to v souladu s pokyny v návodu.
3. Zajistěte bezpečnou pozici řetězové pily během přepravy vozem tak, aby nedošlo k úniku paliva nebo oleje, poškození nářadí nebo úrazu osob.
4. Pravidelně kontrolujte funkčnost řetězové brzdy.
5. Nedoplňujte olej poblíž ohně. Při doplňování oleje nikdy nekuřte.
6. Národní předpisy mohou omezovat použití řetězové pily.
7. Jestliže zařízení utrpí prudký náraz nebo pokud upadne, zkontrolujte před obnovením práce jeho stav. Zkontrolujte ovládací a bezpečnostní prvky, zda nejsou poškozené. V případě poškození či pochybností požádejte o prohlídku a opravu naše autorizované servisní středisko.
8. Vždy před spuštěním řetězové pily aktivujte řetězovou brzdu.
9. Držte pilu pevně na místě, aby nedošlo ke sklouznutí nebo odskočení pily při zahájení řezání.
10. Na konci řezání dávejte pozor na rovnováhu postoje, protože dojde k náhlému „poklesu“.
11. Berte v potaz směr a rychlost větru. Vyhněte se pilinám a olejové mlze.

#### Ochranné pomůcky

1. Aby nedocházelo k úrazům hlavy, očí, rukou nebo nohou, nebo k poškození sluchu, je nutné při provozu řetězové pily používat následující ochranné pomůcky:
- |   |     |                          |           |
|---|-----|--------------------------|-----------|
| — | Typ | používaného              | oděvu     |
|   |     | musí být                 |           |
|   |     | vhodný, tzn.             | nesmí     |
|   |     | být příliš               | volný,    |
|   |     | ale současně             | nesmí     |
|   |     | bránit v                 |           |
|   |     | pohybu. Nenoste          | šperky    |
|   |     | ani oděv, které          | by mohly  |
|   |     | by se                    | zaplést   |
|   |     | nebezpečně               | do křoví. |
|   |     | dlouhé vlasy,            | Máte-li   |
|   |     | použijte síťku           | vždy      |
|   |     | vlasy!                   | na        |
| — | Při | každé práci              | s         |
|   |     | řetězovou pilou          | je        |
|   |     | nutné nosit              |           |
|   |     | ochrannou přilbu.        |           |
|   |     | <b>Ochranou přilbu</b>   | je        |
|   |     | nutné v                  |           |
|   |     | pravidelných             |           |
|   |     | intervalech kontrolovat, |           |
|   |     | zda není                 |           |
|   |     | poškozena,               | a         |
|   |     | nejpozději po            | 5         |



# POPIS DÍLŮ

Obr.2

1	Kontrolka akumulátoru	2	Tlačítko kontroly	3	Spoušť
4	Horní držadlo	5	Odjišťovací páčka	6	Přední ochrana rukou
7	Vodící lišta	8	Pilový řetěz	9	Zachycovač řetězu
10	Pojistná matice	11	Seřizovací šroub řetězu	12	Akumulátor
13	Hlavní kontrolka napájení	14	Indikátor režimu	15	Hlavní spínač napájení
16	Kryt	17	Stavěcí šroub (olejového čerpadla)	18	Karabina
19	Přední držadlo	20	Víčko olejové nádrže	21	Zubová opěrka
22	Kryt vodící lišty	-	-	-	-

- požadavky na balení a značení.
- Pro přípravu zboží k přepravě je nutná konzultace s odborníkem na nebezpečný materiál. Dodržujte také případné podrobnější národní předpisy.
- Odkryté kontakty přelepte izolační páskou či jinak zakryjte a akumulátory zabalte tak, aby se v balení nemohly pohybovat.
- Při likvidaci akumulátoru jej vyjměte z nářadí a zlikvidujte jej na bezpečném místě. Při likvidaci akumulátoru postupujte podle místních předpisů.
  - Akumulátor používejte pouze s výrobky specifikovanými společností Makita. Instalace akumulátoru do nevyhovujících výrobků může způsobit požár, nadměrné zahřívání, explozi nebo únik elektrolytu.
  - Pokud nářadí delší dobu nepoužíváte, je nutné z něj akumulátor vyjmout.

## TYTO POKYNY USCHOVEJTE.

**⚠️ UPOZORNĚNÍ:** Používejte pouze originální akumulátory Makita. Používání neoriginálních nebo upravených akumulátorů může způsobit explozi akumulátoru a následný požár, zranění a jiné poškození. Zaniká tím také záruka společnosti Makita na nářadí a nabíječku Makita.

## Tipy k zajištění maximální životnosti akumulátoru

- Akumulátor nabíjte dříve, než dojde k jeho úplnému vybití. Pokud si povšimnete sníženého výkonu nářadí, vždy jej zastavte a dobijte akumulátor.
- Nikdy nenabíjejte úplně nabitý akumulátor. Přebíjení zkracuje životnost akumulátoru.
- Akumulátor dobíjejte při pokojové teplotě od 10 °C do 40 °C (50 °F až 104 °F). Před nabíjením nechejte horký akumulátor zchladnout.
- Pokud se akumulátor delší dobu nepoužívá (déle než šest měsíců), je nutno jej dobít.

## POPIS FUNKCÍ

**⚠️ UPOZORNĚNÍ:** Před nastavováním nářadí nebo kontrolou jeho funkce se vždy přesvědčte, zda je vypnuté a je vyjmutý akumulátor.

### Nasazení a sejmutí akumulátoru

**⚠️ UPOZORNĚNÍ:** Před nasazením či sejmutím akumulátoru nářadí vždy vypněte.

**⚠️ UPOZORNĚNÍ:** Při nasazování či snímání akumulátoru pevně držte nářadí i akumulátor. V opačném případě vám může nářadí nebo akumulátor vyklouznout z rukou a mohlo by dojít k jejich poškození či ke zranění.

- Obr.3: 1. Červený indikátor 2. Tlačítko 3. Akumulátor

Chcete-li akumulátor sejmut, vysuňte jej se současným přesunutím tlačítka na přední straně akumulátoru.

Při nasazování akumulátoru vyrovnejte jazýček na bloku akumulátoru s drážkou v krytu a zasuňte akumulátor na místo. Akumulátor zasuňte na

doraz, až zacvakne na své místo. Není-li tlačítko zcela zajištěno, uvidíte na jeho horní straně červený indikátor.

**UPOZORNĚNÍ:** Akumulátor zasunujte vždy zcela tak, aby nebyl červený indikátor vidět. Jinak by mohl akumulátor ze zařízení vypadnout a způsobit zranění obsluze či přihlížejícím osobám.

**UPOZORNĚNÍ:** Akumulátor nenasazujte násilím. Nelze-li akumulátor zasunout snadno, nevkládáte jej správně.

## Indikace zbývající kapacity akumulátoru

► **Obr.4:** 1. Kontrolka akumulátoru  
2. Tlačítko kontroly

Zbývající kapacitu akumulátoru zjistíte stisknutím tlačítka kontroly. Kontrolky akumulátoru odpovídajících akumulátorů.

Stav indikátoru akumulátoru			Zbývající kapacita akumulátoru
Svítil	Nesvítil	Bliká	
			50 100 %
			20
			0
			Nabijte akumulátor

## Indikace zbývající kapacity akumulátoru

*Pouze pro akumulátory s diodovým ukazatelem*

► **Obr.5:** 1. Kontrolky 2. Tlačítko kontroly

Stisknutím tlačítka kontroly na akumulátoru zjistíte zbývající kapacitu akumulátoru. Kontrolky indikátoru se na několik sekund rozsvítí.

Kontrolky			Zbývající kapacita
Svítil	Nesvítil	Bliká	
			75 100 %
			50
			25
			0
Kontrolky			Zbývající kapacita
Svítil	Nesvítil	Bliká	
			Nabijte akumulátor.
			Došlo k depodobně k akumulátoru.

signalizují

**POZNÁMKA:** Kapacita udávaná indikátorem

může mírně lišit od skutečné kapacity v závislosti na podmínkách používání a teplotě prostředí.

## Systém ochrany nářadí a akumulátoru

Nářadí je vybaveno systémem ochrany nářadí a akumulátoru. Tento systém automaticky přeruší napájení motoru, aby se prodloužila životnost nářadí a akumulátoru. Budou-li nářadí nebo akumulátor vystaveny některé z níže uvedených podmínek, nářadí se během provozu automaticky vypne:

### Ochrana proti přetížení

Pokud se s akumulátorem pracuje způsobem vyvolávajícím mimořádně vysoký odběr proudu, nářadí se automaticky vypne a nářadí napájení. V takové situaci nářadí vypněte a ukončete činnost, při níž došlo k přetížení nářadí. Potom nářadí zapněte a obnovte činnost.

### Ochrana proti přehřátí

Při přehřátí nářadí či akumulátoru se nářadí automaticky vypne a světló začne červeně svítit. V takovém

případě nechte nářadí a akumulátor před opětovným zapnutím vychladnout.

<b>POZNÁMKA:</b>	V prostředí s vysokou teplotou je velká pravděpodobnost, že ochrana před přehřátím se spustí a nářadí se automaticky zastaví.
------------------	---

## Ochrana proti přílišnému vybití

Není-li kapacita akumulátoru dostatečná, nářadí se automaticky zastaví a hlavní kontrolka napájení bude blikat červeně. V takovém případě vyjměte akumulátor z nářadí a nabijte jej.

## Hlavní spínač napájení

**VAROVÁNÍ:** Pokud nářadí nepoužíváte, vždy vypněte hlavní spínač napájení.

Chcete-li zapnout nářadí, stiskněte hlavní tlačítko napájení a držte ho, dokud se zeleně nerozsvítí hlavní kontrolka napájení. Pokud ji chcete vypnout, opět stiskněte hlavní spínač napájení.

► **Obř.6:** 1. Hlavní kontrolka napájení  
2. Indikátor režimu 3.  
Hlavní spínač napájení

<b>POZNÁMKA:</b>	Pokud je spuštěn některý z nářadí, začne zeleně blikat. Při jednom následujících	je pod mínek, nemůže pracovat, kontrolka napájení bliká. Kontrolka z	stisknuta při práci, pracovat, napájení bliká.
•	Když stisknete a odjišťovací páčku	hlavní spínač držíte	napájení při spuštění.
•	Když stisknete spoušť aktivované brzdě	při řetězu.	
•	Když uvolníte brzdu současně a	brzdu držíte a odjišťovací páčku	spuštění se napájení vypne, pokud do zapnutí napájení.

<b>POZNÁMKA:</b>	Toto vybaveno funkcí vypínání. Jako neúmyslného hlavní spínač automaticky není určité hlavního	nářadí je automatického prevence spuštění se napájení vypne, pokud do zapnutí napájení.
------------------	--	---

Nářadí můžete používat v posíleného utahovacího momentu (Torque

Boost), kdykoliv je třeba řezat tlusté a tvrdé větve. Chcete-li použít režim posíleného utahovacího momentu, stiskněte při vypnutém nářadí hlavní spínač a podržte jej několik sekund, dokud se indikátor režimu nerozsvítí zeleně.

<b>POZNÁMKA:</b>	Můžete použít v režimu posílení utahovacího momentu po dobu 60 sekund. V závislosti na podmínkách použití se tento režim vrátí do normálu po méně než 60 sekundách.	nařadí po V podmínkách režimu po normálu po 60 sekundách.
------------------	---	---

**POZNÁMKA:** Jestliže indikátor režimu bliká zeleně, když stisknete hlavní spínač napájení po dobu několika sekund, není režim posílení utahovacího momentu k dispozici. V takovém případě postupujte následovně.

- Režim posílení utahovacího momentu není dostupný ihned po řezání. Počkejte déle než 10 sekund a několik sekund napájení.
  - Po několika násobném použití režimu posílení utahovacího momentu bude jeho použití omezeno, aby byl ochráněn akumulátor. Není-li režim posílení utahovacího momentu dostupný po více než 10 sekundách, vyměňte akumulátor za plně nabitý, nebo jej dobijte.
- POZNÁMKA:** Jestliže se hlavní kontrolka napájení rozsvítí červeně či zeleně, podívejte se do návodu k systému ochrany nářadí/akumulátoru.

## Používání spouště

**VAROVÁNÍ:** K zajištění vaší bezpečnosti je nářadí vybaveno odjišťovací páčkou zamezující nechtěnému spuštění nářadí. NIKDY nepoužívejte nářadí, jež lze spustit pouhým stisknutím spouště bez použití odjišťovací páčky. V takovém případě nářadí PŘED dalším použitím předejte našemu autorizovanému servisnímu středisku k opravě.

**VAROVÁNÍ:** Odjišťovací páčku NIKDY neu-

chycujte lepicí páskou v aktivní poloze ani jinak nepotlačujte její funkci.

Uvedte	řetězovou	pilu	do	chodu
a	potom	zcela	uvolněte	spoušť.
Pilový	řetěz	se	musí	do
dvou	sekund	zastavit.		

**⚠ UPOZORNĚNÍ:** Před vložením akumulátoru do nářadí vždy zkontrolujte správnou funkci spouště, a zda se po uvolnění vrací do vypnuté polohy.

**POZOR:** Nepokoušejte se spoušť aktivovat silou bez stisknutí odjišťovací páčky. Mohlo by dojít k poškození spínače.

K	zamezení	náhodného	stisknutí	spouště
je	zařízení	vybaveno	odjišťovací	páčkou.
Chcete-li	nářadí	spustit,	stiskněte	
odjišťovací	páčku	a	potom	spoušť.
Otáčky	nářadí	se	zvyšují	
zvyšováním		tlaku	na	spoušť.
Chcete-li	nářadí	vypnout,	uvolněte	spoušť.
▶	<b>Obr.7:</b>	1. Spoušť	2.	

Odjišťovací páčka

## Kontrola brzdy řetězu

**⚠ UPOZORNĚNÍ:** Při spuštění držte řetězovou pilu oběma rukama. Horní držadlo držte pravou rukou a přední držadlo levou rukou. Lišta ani řetěz nesmějí být v kontaktu s žádným předmětem.

**⚠ UPOZORNĚNÍ:** Pokud se při provádění této zkoušky pilový řetěz okamžitě nezastaví, nesmí být řetězová pila za žádných okolností dále používána. obraťte se na naše autorizované servisní středisko.

1. Stiskněte odjišťovací páčku a poté spoušť. Řetězová pila se okamžitě spustí.
2. Hřbetem ruky zatlačte přední ochranu rukou směrem vpřed. Ujistěte se, zda se řetězová pila okamžitě zcela zastaví.
- ▶ **Obr.8:** 1. Přední ochrana rukou
2. Odjištěná poloha
3. Zajištěná poloha

## Kontrola dobřehové brzdy

**⚠ UPOZORNĚNÍ:** Pokud se při provádění této zkoušky pilový řetěz nezastaví do dvou sekund, přestaňte řetězovou pilu používat a obraťte se na naše autorizované servisní středisko.

## Seřízení mazání řetězu

Výkon	olejového	čerpadla	lze	seřídít
stavěcím	šroubem	pomocí	univerzálního	
klíče.	Množství	příváděného	oleje	
lze	upravit	ve	3	krocích.
Otevřete	kryt	a	nastavte	stavěcí
šroub.				šroub.

▶ **Obr.9:** 1. Kryt 2. Stavěcí šroub

## Karabina (bod uchycení lana)

Nářadí	můžete	zavěsit	připojením	lana
ke	karabině.			
Vytáhněte	karabinu	a	poté	
ji	přivažte	k	lanu.	▶

**Obr.10:** 1. Karabina

## Zubová opěrka

Nářadí	je	standardně	vybaveno	zubovou
opěrkou.	V	případě	nutnosti	výměny
zubové	opěrky	se	obratte	na
autorizované	servisní	středisko		
společnosti	Makita.	Když	provádíte	řezání,
nasadíte	zubovou	opěrku	na	kmen
a	použijte	ji	jako	páku.

## Elektronické funkce

Nářadí	je	vybaveno	elektronickými	
funkcemi	usnadňujícími	provozování.		
• Regulátor	konstantních	otáček		
Regulátor	konstantních	otáček		
	zajišťuje	stálou	rychlost	
	otáčení	bez	ohledu	na
	úroveň	zátížení.		

## SESTAVENÍ

**⚠ UPOZORNĚNÍ:** Před prováděním jakýchkoli prací na nářadí se vždy přesvědčte, zda je vypnuté a je vyjmutý akumulátor.

**⚠ UPOZORNĚNÍ:** Nedotýkejte se pilového řetězu holými rukama. Při manipulaci s pilovým řetězem vždy používejte rukavice.

## Sejmutí a instalace pilového řetězu

**UPOZORNĚNÍ:** Pilový řetěz a vodící lišta jsou ihned po skončení práce stále horké. Před prováděním jakékoli práce na nářadí je nechte dostatečně vychladnout.

**UPOZORNĚNÍ:** Postup montáže či sejmutí pilového řetězu provádějte v čistém prostředí bez výskytu pilin a jiných nečistot.

Při demontáži pilového řetězu postupujte podle následujících kroků:

1. Pustte brzdu řetězu zatažením za první přední ochranu ruky.
2. Povolte seřizovací šroub řetězu, poté pojistnou matici.
  - ▶ **Obr.11:** 1. Seřizovací šroub řetězu 2. Pojistná matice
3. Sejměte kryt řetězového kola, potom sejměte pilový řetěz a vodící lištu z těla řetězové pily.

Při montáži pilového řetězu postupujte podle následujících kroků:

1. Zkontrolujte směr pilového řetězu. Sjednoťte směr řetězu se značkou na těle pily.
2. Jeden konec pilového řetězu nasadte na horní stranu.
3. Druhý konec pilového řetězu vedte kolem řetězového kola, poté připojte vodící tyč řetězové pily a srovnejte otvor na tyči řetězové těle.
  - ▶ **Obr.12:** 1. Řetězové kolo
4. Přiložte výstupek a kolík na krytu řetězového kola k tělu řetězové pily a poté kryt zavřete se šroub na těle řetězové pily.
  - ▶ **Obr.13:** 1. Výstupek řetězového kola 2. Kryt 3. Šroub 4. Kolík matici a řetězového kola, trochu povolte, řetěz mírně
5. Utáhněte pojistnou matici a řetězového kola, trochu povolte, řetěz mírně.
  - ▶ **Obr.14:** 1. Pojistná matice

## Úprava napnutí pilového řetězu

**UPOZORNĚNÍ:** Pilový řetěz nenapínejte příliš. Příliš silné napnutí pilového řetězu může způsobit přetřetí pilového řetězu a opotřebením vodící tyče.

**UPOZORNĚNÍ:** Příliš povoleno řetěz může vyskočit z lišty, což může způsobit zranění.

Po mnoha hodinách provozu se může pilový řetěz povolit. Čas od času před zahájením používání zkontrolujte napnutí pilového řetězu.

1. Pustte brzdu řetězu zatažením za první přední ochranu ruky.
2. Povolte trochu pojistnou matici, aby se lehce uvolnil kryt řetězového kola.
  - ▶ **Obr.15:** 1. Pojistná matice
3. Mírně nadzvedněte špičku vodící tyče a upravte napnutí řetězu. Seřizovací šroub se utahuje otáčením po směru hodinových ručiček, a naopak povoluje proti směru ručiček.

### Pro řetězové listy 90PX a 91PX:

Napněte pilový řetěz, až dolní strana pilového řetězu dosedne do vedení vodící tyče, jak je znázorněno na obrázku.

- ▶ **Obr.16:** 1. Vodící lišta řetězu 2. Pilový řetěz 3. Seřizovací šroub řetězu

### Pro řetězový list 25AP:

Napněte pilový řetěz mezi středem a stranou, aby dolní pilovým řetězem mezera byla přibližně 1 mm až 2 mm.

4. Vodící tyč přidržíte a stále zlehka dotáhněte řetězového kola.

### Pro řetězové listy 90PX a 91PX:

Ujistěte se, zda řetěz na spodní straně pilový řetěz neuvolní.

### Pro řetězový list 25AP:

Ujistěte se, že dolní strany pilovým řetězem mezera je přibližně 2 mm.

5. Utáhněte pojistnou matici a řetězového kola.

## PRÁCE S NÁŘADÍM

### Mazání

Pilový řetěz je během provozu nářadí automaticky promazáván. Pravidelně kontrolujte zbyvajících množství oleje v nádrži skrze olejový průhled. Chcete-li doplnit nádrž, položte řetězovou pilu na bok, stiskněte víčko olejové nádrže a poté ho sejměte. Správné množství oleje je 200 ml. Po doplnění nádrže se přesvědčte, zda doba je víčko olejové nádrže dobře. dotazeno. ► **Obr.18: 1.** Olejový průhled olejové nádrže držte řetězovou pilu mimo dosah stromu. Uvedte pilu do chodu a počkejte, dokud nebude dosaženo dostatečného promazání pilového řetězu. ► **Obr.19**

**POZOR:** Při prvním plnění řetězovým olejem nebo doplňování nádrže po úplném vyprázdnění nalévejte olej až k dolnímu okraji plnicího hrdla. V opačném případě mohou vzniknout problémy s přívodem oleje.

**POZOR:** Používejte olej určený výlučně pro řetězové pily Makita nebo odpovídající olej běžně dostupné na trhu.

**POZOR:** Nikdy nepoužívejte olej, který obsahuje prach a částice nečistot ani těkavý olej.

**POZOR:** Při prořezávání stromů používejte rostlinný olej. Minerální olej může stromy ohrozit.

**POZOR:** Před zahájením řezání se přesvědčte, zda bylo na své místo našroubováno víčko olejové nádrže.

### PRÁCE S ŘETĚZOVOU PILOU

**UPOZORNĚNÍ:** Je-li motor řetězové pily v provozu, udržujte všechny končetiny mimo dosah řetězu.

**UPOZORNĚNÍ:** Je-li motor řetězové pily v provozu, držte řetězovou pilu pevně oběma rukama.

**UPOZORNĚNÍ:** Nepřečnujte vlastní schopnosti. Udržujte vždy správný postoj a rovnováhu.

**POZOR:** Nikdy nářadí neodhazujte ani nepouštějte na zem.

**POZOR:** Nezakrývejte ventilační otvory nářadí.

### Prořezávání stromů

Před zapnutím pily přiložte k řezané větvi tělo řetězové pily. Jinak může dojít k rozkolísání vodící tyče následnému zranění. požadovaný kus dřeva využitím pohybem dolů, s řetězové pily.

► **Obr.20**

Nemůžete-li přefíznout dřevo pohybem: Lehce zatlačte na pokračujte v řezání a zatahněte pilu zpátky. ► **Obr.21**

Při řezání tlustých větví provedte mělký podřez a dokončete shora. ► **Obr.22**

Budete-li se snažit přefíznout větev odspodu, může se tím pilový sevřít a zachytit se v řezu. Pokud jste-li se řetěz v tlusté větve pouze shora uříznout bez podřezu, může se zlomit. ► **Obr.23**

### Přenášení nářadí

Před přenášením nářadí vždy aktivujte brzdu řetězu a řetěz. vyjměte z nářadí akumulátory. Pak nasadte kryt vodící lišty. Také na akumulátor nasadte kryt. ► **Obr.24: 1.** Kryt vodící lišty **2.** Kryt akumulátoru

### ÚDRŽBA

**UPOZORNĚNÍ:** Před zahájením kontroly nebo údržby nářadí se vždy ujistěte, zda je vypnuté a je vyjmut akumulátor.

**UPOZORNĚNÍ:** Při provádění kontrol a údržby vždy používejte ochranné rukavice.

**POZOR:** Nikdy nepoužívejte benzin, benzen, ředidlo, alkohol či podobné prostředky. Mohlo by tak dojít ke změnám barvy, deformacím či vzniku prasklin.

K zachování BEZPEČNOSTI a SPOLEHLIVOSTI výrobku musí být opravy a veškerá další údržba či seřizování prováděny autorizovanými nebo továrními servisními středisky společnosti Makita s využitím náhradních dílů Makita.

### Ostření pilového řetězu

Pilový řetěz je nutno naostřit v následujících případech:

- Při řezání vlhkého dřeva vznikají  
moučné piliny;
- Řetězproniká obtížné do dřeva,  
a to i při  
vyvinutí silného tlaku;
- Břit je viditelně poškozen;
- Píla v dřevě táhne doleva  
nebo doprava. (Příčinou je  
nerovnoměrné naostření pilového  
řetězu nebo jednostranné  
poškození.)

Pilový řetěz ostřete často, ale  
vždy jen mírně. K běžnému  
naostření obvykle postačují dva  
tři tahy pilníkem. Po nebo  
naostření pilového řetězu nechte  
řetěz naostřit v našem  
autorizovaném servisním středisku. **Kritéria**

#### ostření:

**VAROVÁNÍ:** Příliš velká vzdálenost mezi  
břitem a omezovací patkou zvyšuje riziko  
zpětného rázu.

- **Obr.25:**
1. Délka břitu
  2. Vzdálenost mezi  
břitem a  
omezovací patkou
  3. Minimální délka  
břitu (3 mm)
- Délka všech břitů musí být  
stejná. Rozdílné délky břitů  
znemožňují hladký běh  
řetězu a mohou způsobit  
jeho přetržení.
  - Neprovádějte ostření řetězu, pokud  
mají břity délku  
3 mm nebo menší. Řetěz  
je třeba vyměnit za nový.  
Tloušťka třísky je dána
  - Tloušťka vzdálenost mezi  
omezovací patkou (oblym  
a břitem. nosem)
  - Nejlepších výsledků řezání  
dosáhnete nastavením  
následující vzdálenosti mezi  
a omezovací patkou. břitem
  - Řetězový list 90PX
  - : 0,65 mm
  - Řetězový list 91PX
  - : 0,65 mm
  - Řetězový list 25AP
  - : 0,65 mm
- **Obr.26**
- 30° úhel ostření musí být  
úhel všech břitů shodný.  
Rozdílné úhly břitů mohou  
vést k hrubému a  
nerovnoměrnému pohybu řetězu,  
urychlují opotřebení a  
způsobují přetržení řetězu.

- Používejte vhodný kruhový pilník,  
abyste dosáhli potřebného  
úhlu ostření vůči zubům.
- Řetězový list 90PX :
- 55° Řetězový list 91PX
- : 55°
- Řetězový list 25AP
- : 55° **Pilník a vedení pilníku**
- K ostření řetězu používejte  
speciální kruhový pilník  
(volitelně příslušenství) (volitelně  
na pilové řetězy.  
Běžné kruhové pilníky nejsou
- Průměry kruhových pilníků pro  
jednotlivé pilové řetězy  
jsou následující:
- Řetězový list 90PX :
- 4,5 mm
- Řetězový list 91PX :
- 4,0 mm
- Řetězový list 25AP :
- 4,0 mm
- Pilníkem odeberte materiál břitu  
pouze při pohybu zpětném  
vpřed. Při pohybu pilník  
oddalte.
- Nejprve naostřete břit.  
Délka nejkratšího břitu  
se pak stane  
vzorem pro všechny  
ostatní břity pilového  
řetězu.
- Pilník vedte tak, jak  
je ilustrováno na  
obrázku.
- **Obr.27:** 1. Pilník 2.
- Pilový řetěz
- Pilník lze vést snadněji při  
použití držáku pilníku (volitelně  
příslušenství). Držák pilníku  
je opatřen značkami pro  
správný úhel ostření 30°  
(značky umístěte rovnoběžně  
s pilovým řetězem) a  
omezuje hloubku průniku (na  
průměru pilníku).
- **Obr.28:** 1. Držák pilníku
- Po naostření řetězu zkontrolujte  
výšku hloubkového dorazu  
pomocí řetězové měřky (volitelně  
příslušenství).
- **Obr.29**
- Speciálním plochým pilníkem (volitelně  
příslušenství) odstraňte případný  
prebytečný materiál.

ět  
e  
ní  
u  
o

zaoblet  
před  
stran  
hloubkových  
dorazu.

## Čištění vodící lišty

V hromadí mohou bránit každém pilového třísky

drážce třísky drážku průtoku ostření řetězu a

vodící a lišty ucpat oleje. a odstraňte piliny. ▶

lišty piliny. Ty a Při výměně nahromaděné

se  
Ty  
a

**Obr.30**

## Čištění krytu řetězového kola

Ve řetězového a kryt řetěz piliny.

vnitřní části se piliny. řetězového a

části se Sejměte z odstraňte

krytu hromadí třísky

třísky nářadí pilový

**Obr.31**

## Čištění otvoru pro výstup oleje

Během oleje nebo nebo průtok nedostatečnému řetězu. lišty přívodu způsobem

provozu může materiál. částice nedostatečnému řetězu. Pokud lišty přívodu způsobem

se může nahromadit. Tento mohou mazání na dochází k výstupu

na drobný prach negativně ovlivnit celého pilového straně nedostatečnému následujícím oleje.

1. Demontujte kryt pilový

z řetězového kola řetěz.

▶ **Obr.33:** 1. Oblasti opotřebené

2. Plochým podobným prach ▶ šroubovák 3. Vložte akumulátor. řetězového částice výstupu 4. Vyjměte z na řetězového řetěz.

šroubovákem či nástrojem do otvoru do akumulátor. řetězového oleje pomocí prach nebo nahromaděné na

nebo odstraňte třísky. Plochý výstupu oleje nářadí Stisknutím spouště vytékajícího nebo na

nařadí Namontujte kryt a pilový

## Výměna řetězového kola

**⚠ UPOZORNĚNÍ:** Opatřebené řetězové kolo způsobí poškození nového pilového řetězu. V takovém případě nechte řetězové kolo vyměnit.

Před zkontrolujte Při použijte ▶ 2.

nasazením nového řetězového kola novým řetězovým kolo. Po výměně nového řetězového kolo

stav řetězového kola pojistný kroužek. Pojistný kroužek

1. Řetězové kolo

**POZOR:** Dbejte, aby bylo řetězové kolo nainstalováno tak, jak je znázorněno na obrázku.

## Skládování nářadí

1. Před vyčistěte řetězového kola odstraňte

uložením je demontáží případné

nařadí jej krytu nářadí a piliny.

2. Po spuštění došlo řetězu

vyčištění bez k a

nařadí jej zatížení, aby promazání pilového vodící lišty.

2. Na kryt řetězového kola

vodící lištu nasadte vodící lišty.

4. Vyprázdněte olejovou nádrž.

## Pokyny k pravidelné údržbě

K zabezpečení provádět případy předepsané nesmí obsluze autorizovaném

zajištění následující že budou provádět Veškeré servisním

dlouhé plné údržbu. budou údržby práce takové servisním

životnosti, jako funkčnosti tyto může údržby, jež práce středisku.

prevenci bezpečnostních nároky práce vést musí

proti prvků je a úrazům! Uživatel popsaný v provedeny v

poškození a třeba pouze řádně řetězové návod u našem

k pravidelně v prováděny. Zanedbání pily k

Kontrolovaná položka / Doba provozu		Před použitím	Každodenně	Každý týden	Každé 3 měsíce	Jednou za rok	Před skladováním
Řetězová pila	Kontrola.	✓	-	-	-	-	-
	Vyčištění.	-	✓	-	-	-	-
	Kontrola v autorizovaném servisním středisku.	-	-	-	-	✓	✓
Pilový řetěz	Kontrola.	✓	-	-	-	-	-
	V případě potřeby řetěz naostřit.	-	-	-	-	-	✓
Vodící šta	Kontrola.	✓	✓	-	-	-	-
	Sejmout z řetězové pily.	-	-	-	-	-	✓
Brzda řetězu	Kontrola funkce.	✓	-	-	-	-	-
	Brzdu nechte pravidelně kontrolovat v autorizovaném servisním středisku.	-	-	-	✓	-	-
Mazání řetězu	Zkontrolujte množství přiváděného oleje.	✓	-	-	-	-	-
Spoušť	Kontrola.	✓	-	-	-	-	-
Odjišťovací páčka	Kontrola.	✓	-	-	-	-	-
Víčko olejové nádrže	Kontrola těsnosti.	✓	-	-	-	-	-
Zachycovač řetězu	Kontrola.	-	-	✓	-	-	-
Šrouby a matice	Kontrola.	-	-	✓	-	-	-

## ŘEŠENÍ POTÍŽÍ

Před žádostí o opravu provedte nejprve prohlídku sami. Narazíte-li na problém, jenž v této příručce není popsán, obraťte se na autorizovaný servis. Požádejte o pomoc některé z autorizovaných

servisních středisek Makita, kde k opravám vždy používají náhradní díly Makita.

Stav poruchy	Příčina	Náprava
Řetězovou pilu nelze spustit.	Není nasazen blok akumulátoru.	Nainstalujte nabitý akumulátor.
	Problém s (nízké akumulátorem napětí).	Nabijte akumulátory. Jestliže nabití vyměňte akumulátor.
	Je vypnutý spínač hlavní napájení.	Pokud není po dobu automaticky vypne. Zapněte spínač. Opět hlavní napájení.
Řetězová pila nefunguje.	Brzda řetězu byla aktivována.	Uvolněte brzdu řetězu.
Motor se krátce po provozu zastaví.	Akumulátor není dostatečně nabitý.	Nabijte akumulátory. Jestliže nabití vyměňte akumulátor.
Na řetězu není olej.	Olejová nádrž je prázdná.	Naplňte olejovou nádrž.
	Znečištěná mazací drážka.	Vyčistěte drážku.
	Nedostatečný olej. Příklad.	Upravte množství oleje šroubem. Přiváděného stavcím
Řetězová pila nedosahuje maximálních otáček.	Akumulátor je nesprávně nasazen.	Nainstalujte akumulátory podle popisu v této příručce.
	Poklesl výkon akumulátoru.	Nabijte akumulátor. Jestliže nabití vyměňte akumulátor.
	Systém pohonu nesprávně pracuje.	Předejte k místního servisního opravě do autorizovaného střediska.
Zelené bliká kontrolka hlavní napájení.	Došlo ke spouštění podmínek, kterých nemůže nářadí pracovat.	Stiskněte spoušť zapnutí spínače uvolnění řetězu. až hlavního napájení a po brzdě
Řetěz se při brzdě nezastaví ani aktivaci řetězu: <b>Zařízení ihned vypněte!</b>	Je opotřeбенý brzdový pás.	Předejte k místního servisního opravě do autorizovaného střediska.
Nenormální vibrace: <b>Zařízení ihned vypněte!</b>	Povolená vodicí lišta nebo řetěz.	Sefidte vodicí napnutí řetězu. lištu a pilového
	Porucha nářadí.	Předejte k místního servisního opravě do autorizovaného střediska.
Režim posílení momentu není dostupný ani po výměně akumulátoru za zcela nabitý.	V závislosti na podmínkách použití může být posílení momentu po výměně akumulátoru nedostupný.	Používejte nářadí v normálním režimu, dokud akumulátor není prázdný, poté vyměňte za jiný, nabitý, původní. v režimu, není prázdný, jej za zcela nebo ten dobijte.

Pilový řetěz nelze namontovat.	Kombinace pilového řetězového kola nesprávná.	řetězu a je	Použijte správnou konfiguraci pilového řetězového kola, která je uvedena v části se specifikacemi.
--------------------------------	---	-------------	--

## VOLITELNÉ PŘÍSLUŠENSTVÍ

**⚠ UPOZORNĚNÍ:** Pro nářadí Makita popsané v tomto návodu doporučujeme používat následující příslušenství a nástavce.

Při použití jiného příslušenství či nástavců může hrozit nebezpečí zranění osob. Příslušenství lze používat pouze pro stanovené účely.

Potřebujete-li bližší informace ohledně tohoto příslušenství, obraťte se na místní servisní středisko společnosti Makita.

- Pilový řetěz
- Vodicí lišta
- Kryt vodicí lišty
- Řetězové kolo
- Pilník
- Originální akumulátor a nabíječka Makita

**⚠ VAROVÁNÍ:** Pokud zakoupíte vodicí lištu s délkou odlišnou od standardní vodicí lišty, kupte současně také vhodný kryt vodicí lišty. Musí jít nasadit a zcela zakrývat vodicí lištu řetězové pily.

**POZNÁMKA:** Některé položky seznamu mohou být k nářadí přibaleny jako standardní příslušenství. Přibalené příslušenství se může v různých zemích lišit.

## ТЕХНІЧНІ ХАРАКТЕРИСТИКИ

Модель:		DUC256	DUC306	DUC356	DUC406	DUC256C
Загальна довжина (без шини)		270 мм				
Номінальна напруга		36 В пост. струму				
Маса нетто	*1	4,2 кг				
	*2	4,6 – 4,8 кг	4,7 – 4,9 кг	4,8 – 5,0 кг	4,8 – 5,1 кг	4,6 – 4,7 кг
Стандартна довжина шини		250 м	300 м	350 м	400 м	250 м
Рекомендована довжина шини	3 90PX	250 – 400 мм				—
	3 91PX	250 – 400 мм				—
	3 25AP	—				250 м
Відповідний тип ланцюга для пили (див. таблицю нижче)		90PX 91PX				25AP
Стандартна зірочка	Кількість зубців	6				9
	Крок	3/8"				1/4"

Тип ланцюга для пили		90PX			
Кількість приводних ланок		40	46	52	56
Шина	Довжина шини	мм	мм	мм	мм
	Довжина різання	мм	мм	мм	мм
	Крок	3/8"			
	Шкала регулювання	1,1 мм			
	Тип	Шина з кінцевою зірочкою			
Зірочка	Кількість зубців	6			
	Крок	3/8"			

Швидкість ланцюга	0	–	20	м/с
	(0	–	1	200
			м/хв)	
Об'єм мастильногообака	200		см <sup>3</sup>	

- Оскільки наша програма наукових досліджень і розробок триває безперервно, наведені тут технічні характеристики можуть бути змінені без попередження.
  - У різних країнах технічні характеристики можуть бути різними.
- \*1: Вага з найбільшою касетою з акумулятором, порожнім масляним баком і без шини та ланцюга згідно з EN ISO 11681-2.
- \*2: Найлегші та найважчі комплекти, відповідно до процедури ЕРТА 01/2014. Вага може відрізнятись залежно від допоміжного обладнання; касета з акумулятором також є додатковим обладнанням.

#### Застосовна касета з акумулятором

BL1830 / BL1830B / BL1840 / BL1840B / BL1850 / BL1850B / BL1860B

- Деякі касети з акумулятором, які вказано вище, можуть бути недоступними залежно від вашого регіону або місця перебування.

#### **▲ПОПЕРЕДЖЕННЯ:** Використовуйте лише касети з акумулятором, перелічені вище.

Використання будь-яких інших касет з акумулятором може призвести до травмування й/або пожежі.

#### Комбінація ланцюга для пили, шини й зірочки

Тип ланцюга для пили		91PX			
Кількість приводних ланок		40	46	52	56
Шина	Довжина шини	250	300	350	400
		мм	мм	мм	мм
	Довжина різання	238	294	350	387
		мм	мм	мм	мм
	Крок	3/8"			
Шкала регулювання	1,3 мм				
Тип	Шина з кінцевою зірочкою				
Зірочка	Кількість зубців	6			
	Крок	3/8"			
Тип ланцюга для пили		25AP			
Кількість приводних ланок		60			
Шина	Довжина шини	250	мм		
	Довжина різання	253	мм		
	Крок	1/4"			
	Шкала регулювання	1,3	мм		

	Тип	Пиляльна шина
Зірочка	Кількість зубців	9
	Крок	1/4"

**ПОПЕРЕДЖЕННЯ:** Використовуйте належну комбінацію шини й ланцюгової пили. Інакше це може призвести до отримання травми.

## Символи

Далі наведено символи, які застосовуються для позначення обладнання. Перед користуванням переконайтеся, що ви розумієте їхнє значення.



Читайте інструкцію з експлуатації.



Вдягайте захисні окуляри.



Користуйтеся засобами захисту органів слуху.



Обов'язково надягайте каску, захисні окуляри та засоби захисту органів слуху.



Використовуйте належний захист ніг та рук.



Ця пила призначена для використання тільки операторами, які мають належну підготовку.



Не піддавайте впливу вологи.



Максимальна допустима довжина різання



Під час роботи ланцюгову пилу слід тримати двома руками.



Пам'ятайте про віддачу ланцюга для пили й уникайте контакту з кінчиком шини.



Напрямок пересування ланцюга



Регулювання змащування ланцюгової пили



Тільки для країн ЄС  
Не викидайте електроприлади або акумуляторні батареї разом із побутовими сміттями!  
Згідно з Європейськими директивами про утилізацію електричного та електронного обладнання та про утилізацію батарей і акумуляторів, а також батарей та акумуляторів, термін служби яких закінчився, та їх використанням із дотриманням національних законів, електричне обладнання, батареї та акумулятори, термін служби яких закінчився, потрібно збирати окремо та відправляти на екологічно чисті підприємства з їхньої переробки.

## Призначення

Цей інструмент призначений для відрізання гілок й обрізки дерев. Він також може використовуватися для догляду за деревами.

## Шум

Рівень шуму за шкалою A в типовому виконанні, визначений відповідно до стандарту EN ISO 11681-2:

### Модель DUC256

Рівень звукового тиску ( $L_{pA}$ ): 89 дБ (A)  
Рівень звукової потужності ( $L_{WA}$ ): 103 дБ (A)  
Похибка (K): 3 дБ (A)

### Модель DUC306

Рівень звукового тиску ( $L_{pA}$ ): 89 дБ (A)  
Рівень звукової потужності ( $L_{WA}$ ): 103 дБ (A)  
Похибка (K): 3 дБ (A)

Похибка (K): 3 дБ (A)

### Модель DUC356

Рівень звукового тиску ( $L_{pA}$ ): 89 дБ (A)

Рівень звукової потужності ( $L_{WA}$ ): 103 дБ (A)

Похибка (K): 3 дБ (A)

### Модель DUC406

Рівень звукового тиску ( $L_{pA}$ ): 89 дБ (A)

Рівень звукової потужності ( $L_{WA}$ ): 103 дБ (A)

Похибка (K): 3 дБ (A)

### Модель DUC256C

Рівень звукового тиску ( $L_{pA}$ ): 89 дБ (A)

Рівень звукової потужності ( $L_{WA}$ ): 103 дБ (A)

**ПРИМІТКА:** Заявлене значення шуму було виміряно відповідно до стандартних методів тестування й може використовуватися для порівняння одного інструмента з іншим.

**ПРИМІТКА:** Заявлене значення шуму може також використовуватися для попереднього оцінювання впливу.

**⚠ПОПЕРЕДЖЕННЯ:** Користуйтеся засобами захисту органів слуху.

**⚠ПОПЕРЕДЖЕННЯ:** Залежно від умов використання рівень шуму під час фактичної роботи електроінструмента може відрізнятись від заявленого значення вібрації; особливо сильно на це впливає тип деталі, що оброблюється.

**⚠ПОПЕРЕДЖЕННЯ:** Забезпечте належні запобіжні заходи для захисту оператора, що відповідатимуть умовам використання інструмента (слід брати до уваги всі складові робочого циклу, як-от час, коли інструмент вимкнено та коли він починає працювати на холостому ході під час запуску).

## Вібрація

Загальна величина вібрації (векторна сума трьох напрямків) визначена згідно з EN ISO 11681-2:

### Модель DUC256

Режим роботи: пиляння деревини  
Вібрація ( $a_{h,w}$ ): 3,2  
м/с<sup>2</sup> Похибка (К):  
1,5 м/с<sup>2</sup>

### Модель DUC306

Режим роботи: пиляння деревини  
Вібрація ( $a_{h,w}$ ): 3,2  
м/с<sup>2</sup> Похибка (К):  
1,5 м/с<sup>2</sup>

### Модель DUC356

Режим роботи: пиляння деревини  
Вібрація ( $a_{h,w}$ ): 3,2 м/с<sup>2</sup>  
Похибка (К): 1,5 м/с<sup>2</sup>

### Модель DUC406

Режим роботи: пиляння деревини  
Вібрація ( $a_{h,w}$ ): 3,2  
м/с<sup>2</sup> Похибка (К):  
1,5 м/с<sup>2</sup>

### Модель DUC256C

Режим роботи: пиляння деревини  
Вібрація ( $a_{h,w}$ ): 2,5 м/с<sup>2</sup> або  
менше  
Похибка (К): 1,5 м/с<sup>2</sup>

**ПРИМІТКА:** Заявлене загальне значення вібрації було виміряно відповідно до стандартних методів тестування й може використовуватися для порівняння одного інструмента з іншим.

**ПРИМІТКА:** Заявлене загальне значення вібрації може також використовуватися для попереднього оцінювання впливу.

**⚠ПОПЕРЕДЖЕННЯ:** Залежно від умов ВИКО-

ристання вібрація під час фактичної роботи електроінструмента може відрізнятись від заявленого значення вібрації; особливо сильно на це впливає тип деталі, що оброблюється.

**⚠ПОПЕРЕДЖЕННЯ:** Забезпечте належні запо-

біжні заходи для захисту оператора, що відповідатимуть умовам використання інструмента (слід брати до уваги всі складові робочого циклу, як-от час, коли інструмент вимкнено та коли він починає працювати на холостому ході під час запуску).

## Декларація про відповідність стандартам ЄС

Тільки для країн Європи

Декларацію про відповідність стандартам ЄС наведено в Додатку А до цієї інструкції з експлуатації.

## ПОПЕРЕДЖЕННЯ ПРО ДОТРИМАННЯ ТЕХНІКИ БЕЗПЕКИ

### Загальні застереження щодо техніки безпеки при роботі з електроінструментами

**⚠ПОПЕРЕДЖЕННЯ:** Уважно ознайомтеся з усіма попередженнями про дотримання правил техніки безпеки, інструкціями, ілюстраціями та технічними характеристиками, що стосуються цього електроінструмента. Невиконання будь-яких інструкцій, перелічених нижче, може призвести до ураження електричним струмом, пожежі та/або тяжких травм.

### Збережіть усі інструкції з техніки безпеки та експлуатації на майбутнє.

Термін «електроінструмент», зазначений у інструкції з техніки безпеки, стосується електроінструмента, який функціонує від електромережі (електроінструмент з кабелем живлення), або електроінструмента з живленням

від батареї (безпроводний електроінструмент).

## Попередження про необхідну обережність під час роботи з акумуляторною ланцюговою пилою

1. Коли ланцюгова пила працює, слід тримати всі частини тіла подалі від пилляльного ланцюга. Перед тим як запускати ланцюгову пилу, слід перевірити, щоб пилляльний ланцюг нічого не торкався. Відволікання на короткий час під час роботи пили може призвести до того, що одяг буде затягнуто пилляльним ланцюгом.
2. Слід завжди тримати ланцюгову пилу правою рукою за верхню ручку, а лівою – за передню. Тримати ланцюгову пилу в інший спосіб заборонено, оскільки це підвищує ризик отримання травм, тому цього в жодному разі робити не можна.
3. Електроінструмент слід тримати тільки за ізольовані поверхні держака, оскільки пилляльний ланцюг може зачепити сховану електропроводку. Торкання пилляльним ланцюгом проводки під напруження може призвести до ураження оператора електричним струмом.
4. Слід одягати засоби захисту органів зору та слуху. Також рекомендується використовувати засоби захисту голови, рук, ніг та ступень. Належний захисний одяг знижує кількість травм від сміття, що розлітається, або від випадкового контакту з пилляльним ланцюгом.
5. Завжди зберігайте стійке положення.
6. Під час різання гілки, що перебуває в напруженому стані, слід стежитися відскоку. Коли напруга волокон деревини знімається, то натягнута гілка може вдарити оператора та/або призвести до втрати ним контролю над пилою.
7. Слід бути дуже обережним під час обрізання кущів та порості. Гнучкі

гілки можуть бути затягнені в пилляльний ланцюг, та їх може потягнути у напрямку до оператора, або оператора може потягнути, і він втратить рівновагу.

8. Ланцюгову пилу слід переносити за передню ручку у вимкненому стані, відвернувши її від тіла. Під час перевезення або зберігання ланцюгової пили на ній слід завжди встановлювати кожух для шини. Вірне поводження з ланцюговою вигогідність випадкового контакту з пилляльним ланцюгом, що рухається.
9. Виконуйте вимоги інструкцій щодо змашування, натягу ланцюга та заміни приладдя. Невірно натягнута або змашена пила може зламатись, або буде підвищено ризик віддачі.
10. Ручки повинні бути сухими, чистими та не забрудненими мастилом або жиром. Жирні або забруднені мастилом ручки є слизькими, що призводить до втрати контролю над інструментом.
11. Можна різати тільки деревину. Пилляльний ланцюг слід застосовувати тільки за призначенням. Наприклад, заборонено використовувати ланцюгову пилу для різання пластика, каменю або недерев'яних будівельних матеріалів. Використання ланцюгової пили не за призначенням може призвести до небезпечної ситуації.
12. Причини та заходи запобігання віддачі: Якщо кінець шини торкається якогось предмета або коли дерев'яна деталь закривається та заціпає ланцюг у пропилі, може трапитись віддача. Торкання кінцем в деяких випадках може призвести до раптової зворотної реакції, коли шину буде підкинута догори та назад у напрямку оператора. Затискання пилляльного ланцюга у верхній частині шини може призвести до різкого штовхання шини в напрямку оператора. Будь-яка з цих реакцій може

призвести до контролю над в свою призвести до Не слід лише на встановлені Як користувач ланцюгової повинні вжити щоб нещасних поранень під пиляння.	втрати пилою, що, чергу, може серйозних травм. покладатись засоби безпеки, на пилі.	пили, ви кількох заходів, від або час
Причинами віддачі неправильне пилою та/або порядок або експлуатації. уникнути, вживши заходів, що	є користування неправильний умови її можна запобіжних наведені нижче:	
• Слід міцно інструментобомачином, щоб та інші обгортали ручки пили, та своє тіло так, щоб можливість у віддачі може користувач, що належних запобіжних	тримати руками таким великий палець пальці руки ланцюгової розташовувати та руки була утриматись віддачі. Силу контролювати за умови, вжито заходів.	

Заборонено відпускати ланцюгову пилу.

### Рис.1

- Ніколи не тягнутися інструментом робочої деталі вище рівня плеча. Дотримання цих правил допоможе уникнути непередбачуваного ріжучою частиною дозволить краще ланцюгову пилу непередбачуваних ситуацій.
- Використовувати запасні шини ланцюги, вказані Використання запасних шин ланцюгів може поломки ланцюга
- Слід дотримуватись інструкцій виробника щодо заточування та обслуговування пиляльного

- |  |        |
|--|--------|
| ланцюга. Зменшення глибиниіра може призвести до посилення віддачі. | висоти |
|--|--------|
13. **Перед початком роботи перевірте належну працездатність ланцюгової пили та відповідність її стану правилам техніки безпеки. Зокрема, слід перевірити, чи:**
    - належним чином працює ланцюгове гальмо;
    - належним чином працює інерційне гальмо;
    - правильно встановлені та кришка зірочки; шина
    - ланцюг загострений та натягнутий згідно з правилами.
  14. **Не запускайте ланцюгову пилу з установленою кришкою ланцюга.** Якщо запустити ланцюгову пилу з установленою кришкою ланцюга, остання може бути відкинута вперед, що може призвести до травм або до пошкодження предметів навколо оператора.

### Додаткові попередження про необхідну обережність:

1. Під час використання інструмента з адаптером акумулятора стежте за тим, щоб не спіткнутися об шнур під час роботи.
2. Під час використання інструмента з адаптером акумулятора розташуйте шнур під час роботи на відстані від перешкоди, наприклад заготовки й гілок. Шнур, який зачепився за перешкоди, може стати причиною важкої травми.

## Спеціальні інструкції з техніки безпеки, які стосуються верхньої ручки ланцюгової пили

1. Ця ланцюгова пила призначена для догляду за деревами й обрізкі. Використовувати цю пилу дозволяється тільки особам, які мають належну підготовку. Дотримуйтесь всіх інструкцій, процедур і рекомендацій, наданих відповідною професійною організацією. В іншому випадку можуть статися нещасні випадки зі смертельними наслідками. Для обрізки дерев рекомендується завжди використовувати підйомну платформу (автовишка, підйомник). Спуск по канату є надзвичайно небезпечним і вимагає спеціальної підготовки. Оператори повинні пройти підготовку з використання захисних пристосувань і для ознайомлення з прийомами лазіння. Під час виконання робіт на деревах завжди

	використовуйте відповідні ремені, троси й карабіни. Завжди використовуйте обмежувальний пристрій як для оператора, так і для пили.		довге волосся, надягайте сітку для волосся!
2.	Перед розміщенням на зберігання виконайте очищення й технічне обслуговування пили відповідно до інструкцій у посібнику з експлуатації.	— Під час роботи з ланцюговою пилою обов'язково надягайте захисний шолом.	
3.	У разі перевезення автотранспортом надійно закріпіть ланцюгову пилу в придатному місці, щоб уникнути витоків палива або мастила для ланцюга, пошкодження інструмента або травмування.		<b>Захисний шолом</b> необхідно регулярно перевіряти на відсутність пошкоджень і замінювати не рідше ніж кожні 5 років. Використовуйте тільки офіційно затверджені моделі шоломів.
4.	Регулярно перевіряйте працездатність ланцюгового гальма.		
5.	Не наповнюйте бак мастилом для ланцюга поблизу вогню. Не куріть під час наповнення бака мастилом для ланцюга.		
6.	Використання ланцюгових пил може бути обмежене державними нормами.	— <b>Захисна маска</b>	шолому (або окулярів) забезпечує захист від тирси й деревної стружки. Під час роботи з ланцюговою пилою завжди надягайте окуляри або захисну маску для запобігання травмам очей.
7.	Якщо інструмент зазнав сильного удару або впав, перевірте його стан, перш ніж продовжувати роботу. Переконайтеся в тому, що органи керування й запобіжні пристрої працюють справно. У разі виявлення пошкоджень або виникнення сумнівів зверніться до нашого авторизованого сервісного центру для проведення огляду інструмента та його ремонту.		
8.	Перед запуском ланцюгової пили завжди активуйте гальмо ланцюга.	— Використовуйте відповідне <b>оснащення для захисту від шуму</b>	(наушники, беруші тощо)
9.	Починаючи розпил, міцно утримуйте пилу, щоб уникнути зсуву (ковзання) або підстрибування пили.	— <b>Захисна куртка</b>	складається з 22 шарів нейлону й захищає оператора від порізів. Її завжди слід надягати під час роботи з піднятими платформ (автовішок, підйомників), з платформ, змонтованих на сходах, або в разі підйому по тросах.
10.	Завершуючи розпил, будьте обережні й зберігайте баланс, який ви можете втратити через «провалювання».		
11.	Ураховуйте напрям і швидкість вітру. Уникайте впливу тирси й туману від масла для ланцюга.		
<b>Захисна екіпіровка</b>			
1.	З метою уникнення травмування голови, органів зору й слуху, а також рук чи ніг під час роботи з ланцюговою пилою необхідно користуватися таким захисним обладнанням:		
—	Тип одягу має відповідати роботі, тобто одяг повинен прилягати до тіла, але не заважати в роботі. Не надягайте ювелірні прикраси або одяг, які можуть заплутатися в кущах або гілках. Якщо у вас	— <b>Захисна обв'язка й фартух із нагрудником</b>	виготовлені з 22 шарів нейлонової тканини та захищають від порізів. Настійно рекомендуємо їх використовувати.

- **Захисні рукавички**, виготовлені з товстої шкіри, слід завжди надягати під час роботи з ланцюговою пилою, оскільки вони відносяться до описаної захисної екіпіровки.
- Під час роботи з ланцюговою пилою також слід надягати **захисні черевики** або **захисне взуття** з протиковзною підошвою, сталевими носками й захистом ноги. Взуття зі спеціальним захисним шаром запобігає порізам і забезпечує стійке положення під час роботи. Для роботи на деревах використовуйте захисні черевики, які підходять для лазіння.

#### Вібрація

1. В осіб, що мають проблеми з кровообігом і перебувають під дією надмірних вібрацій, можуть виникати пошкодження кровоносних судин або нервової системи. Вібрація може спричинити вказані нижче симптоми, які з'являються в пальцях, руках чи зап'ястках: заціпеніння (оніміння), пощипування, біль, поколювання, зміна кольору шкіри. **У разі появи будь-якого з перелічених симптомів зверніться до лікаря!** Щоб зменшити ризик отримання синдрому білих пальців, слід тримати обладнання й приладдя в належному стані та дбати про те, щоб під час роботи руки залишалися теплими.

## ЗБЕРІГАЙТЕ ЦІ ВКАЗІВКИ.

**▲ ПОПЕРЕДЖЕННЯ:** НИКОЛИ НЕ втрачайте пильності та не розслабляйтеся під час користування виробом (що можливо при частому користуванні); обов'язково строго дотримуйтеся відповідних правил безпеки. **НЕНАЛЕЖНЕ ВИКОРИСТАННЯ** або недотримання правил техніки безпеки, викладених у цій інструкції з експлуатації, може призвести до серйозних травм.

### Важливі інструкції з безпеки для касети з акумулятором

1. Перед тим як користуватися касетою з акумулятором, слід прочитати всі інструкції та застережні знаки щодо (1) зарядного пристрою акумулятора, (2) акумулятора та (3) виробів, що працюють від акумулятора.
2. Не слід розбирати касету з акумулятором.
3. Якщо період роботи дуже покоротшав, слід негайно припинити користування. Це може призвести до виникнення ризику перегріву, опіку та навіть вибуху.
4. У разі потрапляння електроліту в очі слід промити їх чистою водою та негайно звернутися до лікаря. Це може призвести до втрати зору.
5. Не закоротіть касету з акумулятором.
  - (1) Не слід торкатися клем будь-яким струмопровідним матеріалом.
  - (2) Не слід зберігати касету з акумулятором у ємності з іншими металевими предметами, такими як цвяхи, монети тощо.
  - (3) Не залишайте касету з акумулятором під дощем, запобігайте контакту з водою.
 Коротке замикання може призвести до появи значного струму, перегріву, можливих опіків та навіть виходу з ладу.
6. Не слід зберігати інструмент та касету з акумулятором в місцях, де температура може сягнути чи перевищити 50°C (122°F).
7. Не слід спалювати касету з акумулятором, навіть якщо вона була неодноразово пошкоджена або повністю спрацьована. Касета з акумулятором може вибухнути у вогні.
8. Не слід кидати або ударяти акумулятор.
9. Не слід використовувати пошкоджений акумулятор.
10. Літій-іонні акумулятори, що містяться в інструменті, мають відповідати вимогам законів про небезпечні товари. Під час транспортування за допомогою комерційних перевезень, наприклад із залученням третьої сторони

та експедиторів,  
необхідно дотримуватись  
особливих вимог, вказаних на  
пакуванні й у  
маркуванні. Під час  
підготування позиції до  
відправлення необхідно  
проконсультуватись зі  
спеціалістом з  
небезпечних матеріалів.  
Крім того, слід  
виконувати більш  
докладні національні  
настанови, якщо такі  
є. Заклейте відкриті контакти  
стрічкою або заховайте їх  
і запакуйте акумулятор  
таким чином, щоб він  
не міг рухатися в  
пакуванні.

11. **Для утилізації касети з акумулятором витягніть її з інструмента та утилізуйте безпечним способом. Дотримуйтеся норм місцевого законодавства щодо утилізації акумуляторів.**
12. **Використовуйте акумулятори лише з виробами, указаними компанією Makita.**  
Установлення акумуляторів у  
невідповідні вироби може  
призвести до пожежі,  
надмірного нагрівання,  
вибуху чи витоку  
електроліту.
13. **Якщо інструментом не користуватимуться протягом тривалого періоду часу, вийміть акумулятор з інструмента.**

зарядити акумулятор, якщо ви помітили зменшення потужності інструмента.

2. **Ніколи не слід заряджати повторно повністю заряджену касету з акумулятором. Перезарядження скорочує строк експлуатації акумулятора.**
3. **Заряджайте касету з акумулятором при кімнатній температурі 10°C—40°C (50°F—104°F). Перед тим як заряджати касету з акумулятором, слід зачекати, доки вона охолоне.**
4. **Якщо касета з акумулятором не використовувалася тривалий час (понад шість місяців), її слід зарядити.**

## ЗБЕРІГАЙТЕ ЦІ ВКАЗІВКИ.

**⚠ОБЕРЕЖНО:** Використовуйте тільки акумулятори Makita. Використання акумуляторів, інших ніж оригінальні акумулятори Makita, або акумуляторів, конструкцію яких було змінено, може призвести до вибуху акумулятора і спричинити пожежу, травму або пошкодження. У зв'язку з цим також буде анульовано гарантію Makita на інструмент Makita і на зарядний пристрій.

## Поради з забезпечення максимального строку експлуатації акумулятора

1. Касету з акумулятором слід заряджати до того, як він розрядиться повністю. Завжди слід зупиняти роботу інструмента та

# ОПИС ДЕТАЛЕЙ

Рис.2

1	Індикатор акумулятора	2	Кнопка перевірки	3	Курок вмикача
4	Верхня ручка	5	Важіль блокування вимкненого положення	6	Передня захисна огорожа для рук
7	Шина	8	Пиляльний ланцюг	9	Обмежувач ланцюга
10	Стопорна гайка	11	Гвинт регулювання ланцюга	12	Касета з акумулятором
13	Індикатор живлення	14	Індикатор режиму	15	Вимикач живлення
16	Ковпачок	17	Гвинт регулювання (для мастильногонасоса)	18	Карабін
19	Передня ручка	20	Кришка мастильногобака	21	Зубчастий упор
22	Кожух шини	-	-	-	-

## ОПИС РОБОТИ

**⚠ОБЕРЕЖНО:** Обов'язково переконайтеся, що прилад вимкнено, а касету з акумулятором знято, перед регулюванням або перевіркою функціонування інструмента.

### Встановлення та зняття касети з акумулятором

**⚠ОБЕРЕЖНО:** Завжди вимикайте інструмент перед встановленням або зняттям касети з акумулятором.

**⚠ОБЕРЕЖНО:** Під час встановлення або зняття касети з акумулятором слід міцно тримати інструмент та касету з акумулятором. Якщо ви утримуватимете інструментта касету з акумулятором недостатньо міцно, вони можуть вислизнути з рук, що може призвести до пошкодження інструмента та касети з акумулятором або може спричинити травми.

**⚠ОБЕРЕЖНО:** Завжди вставляйте касету з акумулятором повністю, аж поки червоний індикатор стане невидимим. Якщо цього не зробити, касета може випадково випасти з інструмента та завдати травми вам або людям, що знаходяться поряд.

**⚠ОБЕРЕЖНО:** Не встановлюйте касету з акумулятором із зусиллям. Якщо касета не вставляється легко, то це означає, що ви її неправильно вставляєте.

необхідно вставити повністю, аж доки не почуєте клацання. Якщо на верхній частині кнопки помітний червоний індикатор, це означає, що касета з акумулятором встановлена не до кінця.

### Відображення залишкового заряду акумулятора








- **Рис.4:** 1. Індикатор акумулятора  
2. Кнопка перевірки

► **Рис.3:** 1. Червоний індикатор 2. Кнопка 3. Касета з акумулятором

Щоб зняти касету з акумулятором, слід витягнути її з інструмента, натиснувши на кнопку в передній частині касети.

Щоб встановити касету з акумулятором, слід сумістити виступ на касеті з акумулятором із пазом у корпусі та вставити касету на місце. Її

Натисніть кнопку перевірки для залишкового ресурсу акумулятора. - Індикатор мультиметра відноситься до кожного

Стан індикатора акумулятора			Залишок заряду акумулятора
 Вмк.	 Вимк.	 Блимає	
			Від 100%
			Від 50%
			Від 0
			Зарядіть акумулятор










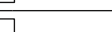




відображення

## Відображення залишкового заряду акумулятора

Тільки для касет з акумулятором, які мають індикатори

- **Рис.5:** 1. Індикаторні лампи  
2. Кнопка перевірки

Натисніть кнопку перевірки на касеті з акумулятором для відображення залишкового ресурсу. Індикаторні лампи загоряться

Індикаторні лампи			Залишковий ресурс
 Горить	 Вимк.	 Блимає	
			від 100%
			від 75%
			від 50%
			від 0
			Зарядіть акумулятор.
			Можливо, акумулятор вийшов ладу.
			

**ПРИМІТКА:** Залежно від умов температури оточуючого середовища показання можуть незначним чином відрізнятись від дійсного ресурсу.

## Система захисту інструмента/ акумулятора

Інструмент оснащено системою захисту інструмента/ акумулятора. Ця система автоматично вимикає живлення двигуна з метою збільшення терміну служби інструмента та акумулятора. Інструмент автоматично зупиняється під час роботи, якщо інструмент або акумулятор перебувають у зазначених нижче умовах.

### Захист від перевантаження

Якщо через спосіб експлуатації акумулятор споживає аномально високий струм, він автоматично вимкнеться, а індикатор живлення почне блимати зеленим. У такому разі вимкніть інструменті припиніть роботу, під час виконання якої інструмент зазнав перевантаження. Щоб перезапустити інструмент, увімкніть його знову.

### Захист від перегрівання

Якщо інструмент або акумулятор перегрівся, інструмент автоматично вимикається, а індикатор живлення загоряється червоним. У такому випадку дозволять інструменту охолонути, перш ніж знову вмикати інструмент.

**ПРИМІТКА:** Захист від перегріву з високою ймовірністю спрацює в умовах високої температури, а інструмент зупиниться автоматично.

### Захист від надмірного розрядження

Якщо ємності акумулятора недостатньо, інструмент зупиниться автоматично, а індикатор живлення почне блимати червоним. У такому випадку вийміть акумулятор з інструмента й зарядіть його.

### Вимикач живлення

**▲ ПОПЕРЕДЖЕННЯ:** Завжди вимикайте вимикач живлення, коли не використовуєте пристрій.

Щоб увімкнути інструмент, натискайте на вимикач

живлення, доки індикатор живлення не  
загориться зеленим. Для  
вимкнення знову натисніть вимикач  
живлення.

- **Рис.6:** 1. Індикатор живлення 2.  
Індикатор режиму 3. Вимикач  
живлення

<b>ПРИМІТКА:</b>	Індикатор живлення блимає зеленим, якщо натиснути на курок вмикача за недопустимих для роботи умов. Індикатор починає блимати в одному із зазначених випадків.
•	Якщо ви увімкнули вимикач живлення, утримуючи натиснутим важіль блокування у вимкненому положенні або курок вмикача.
•	Якщо ви потягнули за курок вмикача за активованого гальма ланцюга.
•	Якщо ви відпустили гальмо ланцюга, утримуючи важіль блокування у положенні й вимкненому положенні й курок вмикача натиснутими.
<b>ПРИМІТКА:</b>	Цей пристрій має функцію автоматичного вимкнення. Щоб запобігти неавтоматичному запуску, головний вимикач живлення автоматично вимикатиметься, якщо не натискати на курок вмикача протягом певного часу після ввімкнення головного вимикача живлення.

Інструмент можна використовувати в режимі підвищеного крутного моменту для зрізання товстих або твердих гілок. Для використання інструмента в режимі підвищеного крутного моменту натисніть вимикач живлення, коли інструмент вимкнено, і тримуйте його кілька секунд, доки індикатор режиму не загориться зеленим.

<b>ПРИМІТКА:</b>	Використовувати інструменту режимі підвищеного крутного моменту можна максимум протягом 60 секунд. Залежно від умов використання перемикачання в нормальний режим відбувається менш ніж через 60 секунд.
------------------	--

**ПРИМІТКА:** Якщо індикатор режиму блимає зеленим, коли ви натискаєте перемикач живлення й утримуєте його натиснутим кілька секунд, режим підвищеної крутного моменту не доступний. У такому разі необхідно виконати вказані нижче дії.

- Режим підвищеного крутного моменту не доступний відразу після відрізання. Зачекайте щонайменше 10 секунд, потім знову натисніть перемикач живлення й утримуйте декілька секунд.
- 3 метою захисту акумулятора багаторазове використання режиму підвищеного крутного моменту обмежене. Якщо режим підвищеного крутного моменту не вмикається через 10 секунд, вставте повністю заряджену касету з акумулятором або замініть касету з акумулятором.

**ПРИМІТКА:** Якщо індикатор живлення загориться червоним або почне блимати червоним або зеленим, див. розділ інструкцій із системи захисту інструмента або акумулятора.

## Дія вимикача

**▲ПОПЕРЕДЖЕННЯ:** З міркувань безпеки цей інструмент обладнаний важелем блокування вимкненого положення, що запобігає неавтоматичному запуску інструмента. **ЗАБОРОНЕНО** використовувати інструмент, якщо він запускається простим натисканням курка вмикача без натискання важеля блокування вимкненого положення. **ПЕРЕД** подальшим використанням інструмент слід передати до нашого авторизованого сервісного центру для ремонту.

**▲ПОПЕРЕДЖЕННЯ:** **ЗАБОРОНЕНО** фіксу-

вати скотчем або іншим чином відключати функцію важеля блокування вимкненого положення.

**▲ОБЕРЕЖНО:** Перед тим як вставляти касету з акумулятором в інструмент, обов'язково перевірте, чи курок вмикача спрацьовує належним чином та повертається у положення «ВИМК.», коли його відпускають.

**УВАГА:** Не можна з силою натискати на курок вмикача, якщо важіль блокування вимкненого положення не натиснутий. Це може призвести до поломки вмикача.

Для запобігання випадковому натисненню курка вмикача передбачено важіль блокування у вимкненому положенні. Щоб запустити інструмент, натисніть важіль блокування у вимкненому положенні й потягніть курок вмикача. Швидкість обертання інструмента збільшується шляхом збільшення тиску на важіль/курок вмикача. Щоб зупинити роботу, відпустіть курок вмикача.

► **Рис.7:** 1. Курок вмикача 2. Важіль блокування вимкненого положення

## Перевірка гальма ланцюга

**⚠ОБЕРЕЖНО:** Під час увімкнення ланцюгової пили завжди тримайте її обома руками. Тримайтесь правою рукою за верхню ручку, а лівою – за передню ручку. Ані шина, ані ланцюг не повинні торкатись будь-яких предметів.

**⚠ОБЕРЕЖНО:** Якщо ланцюгова пила одразу ж не зупинилася під час проведення цього випробування, цю пилу не можна використовувати за жодних обставин. Зверніться до нашого авторизованого сервісного центру.

1. Спочатку натисніть на важіль блокування вимкненого положення, а потім натисніть на курок вмикача. Пила одразу ж запусниться.

2. Тильною стороною руки штовхніть уперед передню захисну огорожу для рук. Переконайтеся, що ланцюгова пила зупиняється негайно.

► **Рис.8:** 1. Передня захисна огорожа для рук 2. Розблоковане положення

3. Заблоковане положення

## Перевірка інерційного гальма

**⚠ОБЕРЕЖНО:** Якщо ланцюг для пили під час цього випробування не зупиняється протягом двох секунд, припиніть

використання ланцюгової пили й зверніться до нашого авторизованого сервісного центру.

Запустіть ланцюгову пилу, після чого повністю відпустіть курок вмикача. Ланцюг для пили повинен зупинитись протягом двох секунд.

## Регулювання змащування ланцюга

Швидкість подачі масла насосом можна корегувати гвинтом регулювання за допомогою універсального ключа. Кількість мастила можна відрегулювати в 3 етапи. Відкрийте кришку, щоб відрегулювати гвинт регулювання.

► **Рис.9:** 1. Ковпачок 2. Гвинт регулювання

## Карабін (точка кріплення троса)

Ви можете повісити інструмент, прикріпивши трос до карабіна. Потягніть за карабін і протягніть у нього трос.

► **Рис.10:** 1. Карабін

## Зубчастий упор

Інструменту стандартній комплектації оснащено зубчастим упором. Для заміни зубчастого упора зверніться до авторизованого сервісного центру Makita. Під час пиляння упирайтесь зубчастим упором у стовбур і використовуйте його як важіль.

## Електронні функції

Для полегшення роботи інструментом електронними функціями.

- Контроль постійної швидкості Функція контролю швидкості забезпечує постійну швидкість обертання, незалежну від умов навантаження.

# ЗБОРКА

**⚠ОБЕРЕЖНО:** Обов'язково переконайтеся, що прилад вимкнено, а касету з акумулятором знято, перш ніж проводити будь-які роботи з інструментом.

**⚠ОБЕРЕЖНО:** Заборонено торкатися пиляльного ланцюга незахищеними руками. Під час роботи з пиляльним ланцюгом обов'язково одягайте рукавиці.

## Знімання або встановлення пиляльного ланцюга

**⚠ОБЕРЕЖНО:** Після роботи пиляльний ланцюг та шина залишаються гарячими. Дайте їм достатньо охолонути перед виконанням будь-яких робіт на інструменті.

**⚠ОБЕРЕЖНО:** Установлювати та знімати пиляльний ланцюг слід у чистому місці, вільному від тирси і подібного сміття.

- Щоб зняти пиляльний ланцюг, виконайте такі дії:
1. Відпустіть гальмо ланцюга, потягнувши за передній захист руки.
  2. Відпустіть гвинт ланцюга, а стопорну гайку.
- **Рис.11:** 1. Гвинт регулювання ланцюга 2. Стопорна гайка
3. Зніміть кришку зірочки, після чого зніміть шину ланцюгової пили.

- Щоб установити пиляльний ланцюг, виконайте такі дії:
1. Перевірте напрямок руху ланцюга для пили. Напрямок руху ланцюга для пили має збігатися з напрямком, позначеним відміткою на корпусі ланцюгової пили.
  2. Помістіть один кінець ланцюга для пили на верхню частину шини.
  3. Оберніть інший кінець ланцюга для пили навколо зірочки, потім прикріпіть шину до корпусу ланцюгової пили, сумістивши отвір на шині зі штифтом на корпусі ланцюгової пили. ►
- Рис.12:** 1. Зірочка 2.
- Отвір

4. Вставте виступ і штифт на крищі зірочки в корпус ланцюгової пили й закрийте кришку таким чином, щоб болт та штифт на корпусі ланцюгової пили сумістилися з відповідними частинами крищі.
- **Рис.13:** 1. Виступ 2. Кришка 3. Болт 4. Штифт
5. Затягніть стопорну гайку, щоб зафіксувати кришку зірочки, потім трохи ослабте її для регулювання натягу.
- **Рис.14:** 1. Стопорна гайка

## Регулювання натягу пиляльного ланцюга

**⚠ОБЕРЕЖНО:** Не затягуйте ланцюг для пили занадто сильно. Надмірний натяг ланцюга для пили може призвести до розриву ланцюга для пили й зносу шини.

**ОБЕРЕЖНО:** Слабко натягнутий ланцюг може зіскочити з шини, тим самим створюючи ризик нещасного випадку і травми.

- Після багатьох годин роботи пиляльним ланцюгом може послабитися. Слід періодично перевіряти натяг пиляльного ланцюга перед використанням.
1. Відпустіть гальмо ланцюга, потягнувши за передній захист руки.
  2. Щоб злегка послабити кришку зірочки, трохи стопорну гайку.
- **Рис.15:** 1. Стопорна гайка
3. Трохи підніміть кінець шини й відрегулюйте натяг ланцюга. Щоб посилити натяг, поверніть гвинт регулювання ланцюга за годинниковою стрілкою, щоб послабити – проти годинникової стрілки.

### Для полотен ланцюгів 90РХ і 91РХ:

- Затягніть ланцюг для пили таким чином, щоб його нижня сторона увійшла в паз шини, як показано на рисунку.
- **Рис.16:** 1. Шина 2. Пиляльний ланцюг 3. Гвинт регулювання ланцюга

#### Для полотна ланцюгу 25AP:

Затягніть ланцюг для	пили	таким
чином, щоб відстань між	центром	
нижньої частини шини та		
ланцюгом дорівнювала	1	мм
до 2 мм.		

4. Утримуючи злегка шину, затягніть кришку зірочки.

#### Для полотен ланцюгів 90PX і 91PX:

Переконайтеся в тому, що		
ланцюг для пили з	нижньої	
сторони шини не	провисає.	

#### Для полотна ланцюгу 25AP:

Переконайтеся в тому, що		
відстань між центром нижньої частини		
шини та ланцюгом для пили		
дорівнює 1 мм до 2		
мм.		

5. Щоб закріпити кришку зірочки, затягніть стопорну гайку.

► **Рис.17: 1.** Стопорна гайка

## РОБОТА

### Змащування

Ланцюг для змащується інструмента. перевіряйте мастильному контрольне мастила.	пили під час роботи	автоматично
	Періодично	
	кількість мастила в баку через вікно рівня	

Щоб заправити бак, покладіть ланцюгову пилу набік, натисніть на кришку мастильного бака й зніміть її. Потрібна кількість мастила складає 200 мл. Після заправлення бака переконайтеся в тому, що кришку мастильного бака надійно затягнуто. ► **Рис.18: 1.** Кришка мастильного бака

2. Контрольне вікно рівня мастила

Після заправки тримайте пилу на відстані від дерева. Запустіть її та заждіть, доки пиляльний ланцюг буде достатньо змащений. ►

**Рис.19**

**УВАГА:** Під час першого заливання мастила для пиляльного ланцюга або під час заправки пустою баку мастило слід заливати до рівня нижньої частини заливної горловини. Інакше постачання мастила може бути утрудненим.

**УВАГА:** У якості мастила для ланцюга слід використовувати тільки мастило для ланцюгових пил Makita або еквівалентне мастило, що є у продажу.

**УВАГА:** Заборонено використовувати мастило, що містить частки пилу, або летуче мастило.

**УВАГА:** Під час обрізання дерев слід використовувати мастило рослинного походження. Мінеральне мастило може пошкодити дерева.

**УВАГА:** Перед тим як виконувати різання, слід перевірити, щоб кришка мастильного бака була належним чином загвинчена.

## РОБОТА З ЛАНЦЮГОВОЮ ПИЛОЮ

▲ **ОБЕРЕЖНО:** Коли працює мотор, забороняється наближати будь-які частини тіла до пиляльного ланцюга.

▲ **ОБЕРЕЖНО:** Коли працює мотор, слід міцно тримати ланцюгову пилу обома руками.

▲ **ОБЕРЕЖНО:** Не слід тягнутись занадто далеко. Завжди твердо стійте на ногах та тримайте рівновагу.

**УВАГА:** Заборонено кидати або випускати інструмент.

**УВАГА:** Заборонено закривати вентиляційні отвори інструмента.

## Обрізка дерев

Перш ніж піднести корпус впритул до різатиметься. вимоги тремтіння шини, травми деревину, рукаючи ваги	ніж корпус гілки, що різатиметься. Недотримання цієї вимоги може призвести до того, що може завдати оператору. Пиляйте просто вниз під дією ланцюгової пили.	слід пили цієї цієї завдати просто дією
--	--	---

► **Рис.20**

Якщо дерево розрізати за прохід неможливо: трохи натисніть на ручку, продовжуйте пиляти й відтягніть пилу трохи назад. ►

**Рис.21**

У разі відрізання товстих гілок спочатку виконайте неглибокий розріз знизу, після чого виконайте остаточний розріз зверху. ► **Рис.22**

Якщо ви спробуєте відрізати товсту гілку знизу, може статися затиснення ланцюга для

пили в розрізі. Якщо ви спробуєте відрізати товсту гілку зверху, не виконавши розріз знизу, гілка може розколотися. ► **Рис.23**

## Перенесення інструмента

Перш ніж переносити інструмент, слід завжди активувати гальмо ланцюга і знімати з інструмента касети з акумуляторами. Потім установіть кожух для шини. Касету з акумулятором слід також закрити кришкою.

► **Рис.24:** 1. Кожух шини  
2. Кришка відсіку акумулятора для

## ТЕХНІЧНЕ ОБСЛУГОВУВАННЯ

**⚠ОБЕРЕЖНО:** Перед здійсненням перевірки або обслуговування завжди перевіряйте, щоб інструмент був вимкнений, а касета з акумулятором була знята.

**⚠ОБЕРЕЖНО:** Під час перевірки або обслуговування слід бути в захисних рукавицях.

**УВАГА:** Ніколи не використовуйте газолін, бензин, розріджувач, спирт та подібні речовини. Їх використання може призвести до зміни кольору, деформації або появи тріщин.

Для забезпечення БЕЗПЕКИ та НАДІЙНОСТІ продукції, її ремонт, а також роботи з обслуговування або регулювання повинні виконуватись уповноваженими або заводськими сервісними центрами Makita із запчастин виробництва компанії Makita.

## Заточка пиляльного ланцюга

Пиляльний ланцюг слід заточити, коли:

- під час пиляння сирого дерева утворюється борошніста тирса;
- ланцюг входить в дерево на силу, навіть якщо застосувати силу;
- ріжуча кромка явно пошкоджена;
- пилу в деревині тягне праворуч або ліворуч. (це

відбувається нерівномірну заточку пиляльного ланцюга або пошкодження однієї сторони)

Слід часто заточувати пилу, але при цьому кожного разу сточувати небагато. Для повсякденного заточування зазвичай вистачає двох або трьох проходів напилком. Після того як пиляльний ланцюг був заточений декілька разів, його слід заточити в нашому авторизованому сервісному центрі.

**Критерії заточки:**

**⚠ПОПЕРЕДЖЕННЯ:** Надто велика відстань між ріжучою кромкою та глибиноміром збільшує ризик віддачі.

- **Рис.25:** 1. Довжина зубця 2. Відстань між ріжучою кромкою і глибиноміром 3. Мінімальна довжина зубців (3 мм)
- Довжина всіх зубців повинна бути однаковою. Якщо зубці будуть різної довжини, це завдаватиме належній роботі пиляльного ланцюга й може призвести до його поломки.
  - Заборонено заточувати ланцюг, якщо довжина зубців складає 3 мм або менше. У такому випадку слід замінити ланцюг.
  - Товщина щіпки визначається відстанню між глибиноміром (круглим носком) та ріжучою кромкою.
  - Найліпші результати пиляння досягаються за відстані між ріжучою кромкою та глибиноміром.
  - Полотно ланцюга 90PX : 0,65 мм
  - Полотно ланцюга 91PX : 0,65 мм
  - Полотно ланцюга 25AP : 0,65 мм
- **Рис.26**
- Кут заточки всіх зубців повинен бути 30°. Неоднаковий кут заточки зубців призводить до нерівномірної та

- укладненої роботи ланцюга, що прискорює його знос і призводить до його поломки.
- Використовуйте придатний круглий напилек, щоб підтримувати належний кут заточки зубців.
- Полотно ланцюга 90PX :
  - Полотно ланцюга 91PX :
  - Полотно ланцюга 25AP :

### Напилек та направлення напилка

- Для заточки ланцюга слід використовувати спеціальний круглий напилек для пиляльних ланцюгів (додаткове приладдя). Звичайні круглі напилки не підходять.
- Діаметр круглого напилка для кожного пиляльного ланцюга такий:
- Полотно ланцюга 90PX : 4,5 мм
  - Полотно ланцюга 91PX : 4,0 мм
  - Полотно ланцюга 25AP : 4,0 мм
- Напилек повинен обробляти зубець тільки під час руху вперед. Під час зворотного руху напилек слід піднімати над зубцем.
- Спочатку слід заточити найкоротший зубець. Потім довжина цього зубця стає стандартом для всіх інших зубців ланцюга.
- Направляйте напилек, як показано на малюнку. ► **Рис.27:**
1. Напилек 2. Пиляльний ланцюг
- Напилек легше направляти, якщо використовувати держак для напилка (додаткова приналежність). На держаку для напилка є мітки вірного кута заточки 30° (слід виставити мітки паралельно пиляльному ланцюгу); він також обмежує глибину проникнення (на 4/5 діаметра напилка).
- **Рис.28:** 1. Держак для напилка
- Після заточки ланцюга слід перевірити висоту глибини, використовуючи

щуп для пиляльного ланцюга (додаткова приналежність).

### ► Рис.29

- Слід видалити навіть найменші виступи матеріалу за допомогою спеціального плоского напилка (додаткова приналежність).
- Ще раз закругліть передню частину глибини.

### Чищення шини

Щіпки та тирса накопичуються в пазу шини. Вони можуть забити паз шини і перешкодити постачанню мастила. Під час заточки або заміни пиляльного ланцюга слід завжди вичищати тирсу та щіпки.

► **Рис.30**

### Чищення кришки зірочки

Щіпки та тирса накопичуються всередині кришки зірочки. Зніміть кришку зірочки й пиляльний ланцюг з інструмента, після чого вичистіть тирсу та щіпки. ► **Рис.31**

### Чищення отвору впорскування

#### мастила

Протягом роботи в отворі впорскування мастила може накопичуватись дрібний пил або частки. Дрібний пил або частки, що накопичуються в мастильному фільтрі, перешкоджають постачанню мастила та призводять до недостатнього змащення всього пиляльного ланцюга. У разі недостатнього постачання мастила у верхню частину шини слід очистити отвір впорскування мастила наступним чином.

1. Зніміть кришку зірочки та пиляльний ланцюг з інструмента.
  2. Видаляйте дрібний пил або частки викруткою зі шліцьовим наконечником або подібним предметом.
- **Рис.32:** 1. Шліцьова викрутка 2. Отвір впорскування мастила
3. Вставте касету з акумулятором в інструмент. Натисніть на курок вмикача, щоб змити

накопичений пил шляхом  
упорскування мастила для  
ланцюга.

4. Зніміть касету з  
акумулятором з  
інструмента.

Встановіть на місце кришку зірочки  
та пиляльний ланцюг.

## Заміна зірочки

**⚠ОБЕРЕЖНО:** Зношена зірочка може спричинити пошкодження нового пиляльного ланцюга. У такому випадку зірочку необхідно замінити.

Перед тим як встановлювати новий ланцюг, слід перевірити стан зірочки.

► **Рис.33:** 1. Зірочка 2.

Місяця зношення

У разі заміни зірочки слід завжди замінювати стопорне кільце.

- **Рис.34:** 1. Стопорне кільце  
2. Зірочка

**УВАГА:** Переконайтеся, що зірочка встановлена, як показано на малюнку.

## Зберігання інструмента

- Перед зберіганням інструмент треба вичистити. Після зняття кришки зірочки з інструмента необхідно видалити всі щіпки та тирсу.
- Після чищення інструмента йому слід дати попрацювати без навантаження для змастити пиляльний ланцюг та шину.
- Закрийте шину кожухом шини.
- Спорожніть мастильний бак.

## Інструкції щодо періодичного обслуговування

Щоб забезпечити тривалий термін служби, попередити пошкодження та гарантувати повноцінне функціонування засобів безпеки, слід регулярно виконувати такі роботи з технічного обслуговування інструмента.

Претензії в рамках гарантійних зобов'язань приймаються тільки тоді, коли ці роботи регулярно проводились належним чином. Невиконання зазначених робіт із технічного обслуговування може призвести до нещасних випадків! Користувачу ланцюгової пили не дозволяється проводити роботи з технічного обслуговування, які не зазначені в цій інструкції з експлуатації. Усі такі роботи повинні здійснюватися в нашому авторизованому сервісному центрі.

Об'єкт перевірки / Час роботи		Перед початком роботи	Щодня	Щотижня	Кожні 3 місяці	Щороку	Перед зберіганням
Ланцюгова пила	Оглянути.	✓	-	-	-	-	-
	Очистити.	-	✓	-	-	-	-
	Перевірити в авторизованому сервісному центрі.	-	-	-	-	✓	✓
Пиляльний ланцюг	Оглянути.	✓	-	-	-	-	-
	Заточити в разі необхідності.	-	-	-	-	-	✓
Шина	Оглянути.	✓	✓	-	-	-	-
	Зняти з ланцюгової пили.	-	-	-	-	-	✓

Гальмо ланцюга	Перевірити функціонування.	✓	-	-	-	-	-
	Робити регулярний огляд у сервісному центрі.	-	-	-	✓	-	-
Змащування ланцюга	Перевірити рівень постачання мастила.	✓	-	-	-	-	-
Курок вмикача	Оглянути.	✓	-	-	-	-	-
Важіль блокування вимкненого положення	Оглянути.	✓	-	-	-	-	-
Кришка мастильного бака	Перевірити надійність затягнення.	✓	-	-	-	-	-
Обмежувач ланцюга	Оглянути.	-	-	✓	-	-	-
Гвинти та гайки	Оглянути.	-	-	✓	-	-	-

## УСУНЕННЯ НЕСПРАВНОСТЕЙ

Перш ніж звертатися з приводу ремонту інструмента, проведіть його перевірку самостійно. У разі виявлення несправності, яку не описано в цьому посібнику, не намагайтеся розібрати інструмент. Натомість зверніться до авторизованих сервісних центрів Makita та використовуйте для ремонту тільки запасні частини виробництва компанії Makita.

Статус несправності	Причина	Дія
Ланцюгова пила не запускається.	Касета з акумулятором не встановлена.	Вставте заряджену касету з акумулятором.
	Проблема з акумулятором (низька напруга).	Зарядіть касети з акумуляторами. Якщо зарядження не призвело до бажаного результату, замініть касету з акумулятором.
	Вимикач живлення вимкнений.	Ланцюгова пила автоматично вимикається, якщо нею не користуються протягом певного часу. Знову

			ввімкніть живлення.	вимикач
Пиляльний ланцюг не рухається.	Гальмо ланцюга активоване.	Відпустіть гальмо ланцюга.		
Мотор перестає працювати після короткочасного використання.	Низький рівень заряду акумулятора.	Зарядіть касети з акумуляторами. Якщо заряджання не призвело до бажаного результату, замініть касету з акумулятором.		
На ланцюзі немає мастила.	Мастильний бак порожній.	Заповніть мастильний бак.		
	Забруднений паз мастила.	Прочистіть паз.		
	Погане постачання мастила.	Відрегулюйте кількість мастила, що постачається, за допомогою гвинта регулювання.		
Ланцюгова пила не досягає максимальної швидкості обертання.	Касету з акумулятором встановлено неправильно.	Встановіть касети з акумуляторами, як описано в цьому посібнику.		
	Заряд акумулятора зменшується.	Зарядіть касету з акумулятором. Якщо заряджання не призвело до бажаного результату, замініть касету з акумулятором.		
	Система приводу працює неправильно.	Звертайтеся до авторизованого сервісного центру вашого регіону для проведення ремонту.		
Індикатор живлення блимає зеленим.	Курок вмикача натиснуто за недопустимих для роботи умов.	Знову натисніть на курок після вмикача буде ввімкнено ланцюга звільнено.		
Ланцюг не навіть гальмо активовано: <b>зупиніть інструмент!</b>	Зношена стрічка гальма.	Звертайтеся до авторизованого сервісного центру вашого регіону для проведення ремонту.		
Аномальна вібрація: <b>негайно зупиніть інструмент!</b>	Послабте шину або пиляльний ланцюг.	Відрегулюйте натяг ланцюга.		

	Інструмент несправний.	Звертайтеся до авторизованого сервісного центру у вашому регіоні для проведення ремонту.
Режим підвищеного крутного моменту недоступний після встановлення повністю зарядженої касети з акумулятором.	Залежно від умов використання режим підвищеного крутного моменту може бути недоступним після заміни касети з акумулятором.	Використовуйте інструмент у нормальному режимі, доки вставлена касета з акумулятором розрядиться, після чого вставте повністю заряджену касету з акумулятором або зарядіть касету з акумулятором.
Ланцюг для пили неможливо встановити.	Неправильна комбінація ланцюга для пили й зірочки.	Використовуйте правильну комбінацію ланцюга для пили й зірочки (див. розділ технічних характеристик).

## ДОДАТКОВЕ ПРИЛАДДЯ

**⚠ОБЕРЕЖНО:** Це додаткове та допоміжне обладнання рекомендовано використовувати з інструментом Makita, зазначеним у цій інструкції з експлуатації. Використання будь-якого іншого додаткового та допоміжного обладнання може становити небезпеку травмування. Використовуйте додаткове та допоміжне обладнання лише за призначенням.

У разі необхідності отримати допомогу в більш детальному ознайомленні з оснащенням звертайтеся до місцевого сервісного центру Makita.

- Пилляльний ланцюг
- Шина
- Кожух шини
- Зірочка
- Напилок
- Оригінальний акумулятор та зарядний пристрій Makita

**⚠ПОПЕРЕДЖЕННЯ:** Якщо ви придбали шину іншої довжини, ніж стандартна, слід також придбати разом із нею відповідний кожух шини. Він має підходити до шини ланцюгової пили й повністю закривати її.

**ПРИМІТКА:** Деякі елементи списку можуть входити до комплекту інструмента як стандартне приладдя. Вони можуть відрізнитися залежно від країни.

# ROMÂNĂ (Instrucțiuni originale)

## SPECIFICAȚII

Model:		DUC256	DUC306	DUC356	DUC406	DUC256C
Lungime totală (fără ghidare)	(fără lama de	270 mm				
Tensiune nominală		36 V cc.				
Greutate netă	*1	4,2 kg				
	*2	4,6 - 4,8 kg	4,7 - 4,9 kg	4,8 - 5,0 kg	4,8 - 5,1 kg	4,6 - 4,7 kg
Lungime standard pentru lama de ghidare		250 mm	300 mm	350 mm	400 mm	250 mm
Lungime recomandată pentru lama de ghidare	cu 90PX	250 - 400 mm				-
	cu 91PX	250 - 400 mm				-
	cu 25AP	-				250 mm
Tip aplicabil de lanț de ferăstrău (consultați tabelul de mai jos)		90PX 91PX				25AP
Roată de lanț standard	Număr de dinți	6				9
	Pas	3/8"				1/4"
Viteza lanțului		0 - 20 m/s (0 - 1.200 m/min)				
Volumul rezervorului pentru ulei de lanț		200 cm <sup>3</sup>				

Tip de lanț de ferăstrău		90PX			
Numărul organelor de transmisie		40	46	52	56
Lamă de ghidare	Lungime lamă de ghidare de	mm	mm	mm	mm
	Lungime de tăiere	mm	mm	mm	mm
	Pas	3/8"			
	Etalon	1,1 mm			
	Tip	Bară frontală de roată dințată			
Roată de lanț	Număr de dinți	6			
	Pas	3/8"			

- Datorită programului nostru continuu de cercetare și dezvoltare, specificațiile pot fi modificate fără o notificare prealabilă.
  - Specificațiile pot varia în funcție de țară.
- \*1: Greutatea cu cel mai mare cartuș al acumulatorului, cu rezervorul de ulei gol și fără lama de ghidare și lanț, în conformitate cu EN ISO 11681-2.
- \*2: Greutatea combinată cea mai mică și cea mai mare, în conformitate cu procedura EPTA 01/2014. Greutatea poate diferi în funcție de accesoriu(ii), inclusiv cartușul acumulatorului.

#### Cartușul acumulatorului aplicabil

BL1830 / BL1830B / BL1840 / BL1840B / BL1850 / BL1850B / BL1860B

- Este posibil ca unele cartușe ale acumulatorilor menționate mai sus să nu fie disponibile în funcție de regiunea dvs. de reședință.

**⚠️ AVERTIZARE:** Utilizați numai cartușele de acumulator enumerate mai sus. Utilizarea oricăror altor cartușe de acumulator poate duce la rănire și/sau incendiu.

#### Combinăție de lanț de ferăstrău, lamă de ghidare și roată de lanț

Tip de lanț de ferăstrău		91PX			
Numărul organelor de transmisie		40	46	52	56
Lamă de ghidare	Lungime lamă de ghidare	250 mm	300 mm	350 mm	400 mm
	Lungime de tăiere	238 mm	294 mm	350 mm	387 mm
	Pas	3/8"			
	Etalon	1,3 mm			
	Tip	Bară frontală de roată dințată			
Roată de lanț	Număr de dinți	6			
	Pas	3/8"			
Tip de lanț de ferăstrău		25AP			
Numărul organelor de transmisie		60			
Lamă de ghidare	Lungime lamă de ghidare	250 mm			
	Lungime de tăiere	253 mm			
	Pas	1/4"			
	Etalon	1,3 mm			
	Tip	Bară de ghidare			
Roată de lanț	Număr de dinți	9			
	Pas	1/4"			
<p><b>⚠️ AVERTIZARE:</b> Utilizați combinația corespunzătoare de lamă de ghidare și lanț de ferăstrău. În caz contrar, există pericolul de rănire.</p>					

## Simboluri

Mai jos sunt prezentate simbolurile de pe echipament. Asigurați-vă că înțelegeți sensul acestora înainte de utilizare.

	Citiți manualul de utilizare.
	Purtați ochelari de protecție.
	Purtați echipament de protecție pentru urechi.
	Purtați cască de protecție, ochelari și protecție pentru urechi.
	Utilizați protecții adecvate pentru picioare și labele picioarelor și pentru mâini și brațe.
	Acest ferăstrău trebuie utilizat doar de operatori instruiți în mod corespunzător.
	Nu expuneți la umezeală.
	Lungime de tăiere maximă permisă
	Folosiți întotdeauna ambele mâini atunci când utilizați ferăstrăul cu lanț.
	Fiiți atenți la reculul ferăstrăului cu lanț și evitați contactul cu vârful lamei.
	Direcția de deplasare a lanțului

### Model DUC406

Nivel de presiune acustică ( $L_{pA}$ ): 89 dB(A)			
Nivel de putere acustică ( $L_{WA}$ ): 103 dB (A)	Marjă de eroare (K): 3	de	dB(A)

### Model DUC256C

Nivel de presiune acustică ( $L_{pA}$ ): 89 dB(A)			
Nivel de putere acustică ( $L_{WA}$ ): 103 dB (A)	Marjă de eroare (K): 3		

<b>NOTĂ:</b>	Valoarea (ale) declarate măsurată(e) conformitate metodă de și utilizată(e) unei	(valorile) a(u) emisiilor de (pot) pentru unelte	totală(e) de fost în cu o test standard fi compararea cu alta.	a zgomot
--------------	--	--	--	----------

<b>NOTĂ:</b>	Valoarea (ale) declarate de	(valorile) emisiilor de (pot) asemenea, utilizată(e)	totală(e) a zgomot fi, într-o
--------------	-----------------------------	--	-------------------------------

Ajustare ulei pentru lanțul de ferăstrău



Doar pentru țările din cadrul UE  
Nu aruncați aparatele electrice sau acumulatorii în gunoii menajeri în conformitate cu Directiva europeană privind deșeurile de echipamente electrice și electronice, bateriile și acumulatorii reziduale și implementarea acestora conform legislației naționale, echipamentele electrice și bateriile și acumulatorii care au ajuns la sfârșitul duratei de viață trebuie colectate separat și reciclate corespunzător în vederea protejării mediului.

## Destinația de utilizare

Mașina este destinată tăierii crengilor și curățării arborilor. Aceasta este, de asemenea, potrivită și pentru întreținerea arborilor.

## Zgomot

Nivelul de zgomot normal ponderat A determinat în conformitate cu EN ISO 11681-2:

### Model DUC256

Nivel de presiune acustică ( $L_{pA}$ ): 89 dB(A)  
Nivel de putere acustică ( $L_{WA}$ ): 103 dB (A)  
Marjă de eroare (K): 3 dB(A)

### Model DUC306

Nivel de presiune acustică ( $L_{pA}$ ): 89 dB(A)  
Nivel de putere acustică ( $L_{WA}$ ): 103 dB (A)  
Marjă de eroare (K): 3 dB(A)

### Model DUC356

Nivel de presiune acustică ( $L_{pA}$ ): 89 dB(A)  
Nivel de putere acustică ( $L_{WA}$ ): 103 dB (A)  
Marjă de eroare (K): 3 dB(A)

evaluare preliminară a expunerii.

**⚠️ AVERTIZARE:** Purtați echipament de protecție pentru urechi.

**⚠️ AVERTIZARE:** Emisiile de zgomot în timpul utilizării efective a unelei electrice poate diferi de valoarea (valorile) nivelului declarat, în funcție de modul în care unealta este utilizată, în special ce fel de piesă este prelucrată.

**⚠️ AVERTIZARE:** Asigurați-vă că identificați măsurile de siguranță pentru a proteja operatorul, acestea fiind bazate pe o estimare a expunerii în condiții reale de utilizare (luând în considerare toate părțile ciclului de operare, precum timpii în care unealta a fost oprită, sau a funcționat în gol, pe lângă timpul de declanșare).

## Vibrații

Valoarea totală a vibrațiilor (suma vectorilor tri-axiali) determinată conform EN ISO 11681-2:

### Model DUC256

Mod de lucru: tăiere lemă  
Emisie de vibrații ( $a_{h,w}$ ): 3,2 m/s<sup>2</sup>

Marjă de eroare (K): 1,5  
m/s<sup>2</sup>

#### Model DUC306

Mod de lucru: tăiere lemn  
Emisie de vibrații (a<sub>h,w</sub>): 3,2 m/s<sup>2</sup>  
Marjă de eroare (K): 1,5  
m/s<sup>2</sup>

#### Model DUC356

Mod de lucru: tăiere lemn  
Emisie de vibrații (a<sub>h,w</sub>): 3,2 m/s<sup>2</sup>  
Marjă de eroare (K): 1,5  
m/s<sup>2</sup>

#### Model DUC406

Mod de lucru: tăiere lemn  
Emisie de vibrații (a<sub>h,w</sub>): 3,2 m/s<sup>2</sup>  
Marjă de eroare (K): 1,5  
m/s<sup>2</sup>

#### Model DUC256C

Mod de lucru: tăiere lemn  
Emisie de vibrații (a<sub>h,w</sub>): 2,5 m/s<sup>2</sup>  
sau mai puțin  
Marjă de eroare (K): 1,5  
m/s<sup>2</sup>

**NOTĂ:** Valoarea (valorile) totală(e) a (ale) nivelului de vibrații declarat a (au) fost măsurată(e) în conformitate cu o metodă de test standard și poate (pot) fi utilizată(e) pentru compararea unei unelte cu alta.

**NOTĂ:** Valoarea (valorile) totală(e) a (ale) nivelului de vibrații declarat poate (pot) fi, de asemenea, utilizată(e) într-o evaluare preliminară a expunerii.

**⚠️ AVERTIZARE:** Nivelul de vibrații în timpul utilizării efective a unelei electrice poate diferi de valoarea (valorile) nivelului declarat, în funcție de modul în care unealta este utilizată, în special ce fel de piesă este prelucrată.

**⚠️ AVERTIZARE:** Asigurați-vă că identificați măsurile de siguranță pentru a proteja operatorul, acestea fiind bazate pe o estimare a expunerii în condiții reale de utilizare (luând în considerare toate părțile ciclului de operare, precum timpii în care unealta a fost oprită, sau a funcționat în gol, pe lângă timpul de declanșare).

### Declarație de conformitate CE

#### Numai pentru țările europene

Declarația de conformitate CE este inclusă ca Anexa A în acest manual de instrucțiuni.

# AVERTIZĂRI DE SIGURANȚĂ

## Avertismente generale de siguranță pentru mașinile electrice

**⚠️ AVERTIZARE:** Citiți toate avertismentele privind siguranța, instrucțiunile, ilustrațiile și specificațiile furnizate cu această sculă electrică.

Nerespectarea integrală a instrucțiunilor de mai jos poate cauza electrocutări, incendii și/sau vătămări corporale grave.

## Păstrați toate avertismentele și instrucțiunile pentru consultări ulterioare.

Termenul „mașină electrică” din avertizări se referă la mașinile dumneavoastră electrice acționate de la rețea (prin cablu) sau cu acumulator (fără cablu).

## Avertisări privind siguranța ferăstrăului cu lanț fără cablu

- Țineți toate părțile corpului la distanță de lanțul ferăstrăului în timpul funcționării ferăstrăului. Înainte de a porni ferăstrăul cu lanț asigurați-vă că lanțul acestuia nu atinge nimic.** Un moment de neatenție în timp ce utilizați ferăstrăul cu lanț poate duce la prinderea hainelor sau corpului dumneavoastră în lanțul ferăstrăului.
- Țineți întotdeauna ferăstrăul cu lanț cu mâna dreaptă pe mânerul superior și cu mâna stângă pe mânerul frontal.** Ținerea ferăstrăului cu o configurație inversată a mâinilor crește riscul de rănire corporală și nu trebuie făcută niciodată.
- Țineți mașina electrică doar de suprafețele de prindere izolate, deoarece lanțul ferăstrăului poate intra în contact cu fire ascunse.** Lanțurile de ferăstrău care intră în contact cu un fir sub tensiune vor pune sub tensiune și componentele metalice expuse ale mașinii electrice, existând pericolul ca operatorul să se electrocuteze.

4. **Purtați viziera și mijloace de protecție a auzului.** Suplimentar este recomandat echipamentul de protecție pentru cap, mâini, labele picioarelor și picioare. Îmbrăcămintea adecvată de protecție va reduce riscul rănirii personale datorită resturilor proiectate sau contactului accidental cu lanțul ferăstrăului.
5. **Păstrați-vă întotdeauna echilibrul.**
6. **Când tăiați o ramură care este tensionată aveți grijă la destinderea acesteia.** Atunci când este eliminată tensiunea din fibrele lemnului, ramura arcuită poate lovi operatorul și/sau produce aruncarea ferăstrăului cu lanț în afara controlului.
7. **Fiți extrem de precauți atunci când tăiați tufișuri sau pomi tineri.** Materialul suplu poate prinde lanțul ferăstrăului și poate fi biciuit către dumneavoastră sau vă poate trage și dezechilibra.
8. **Transportați ferăstrăul cu lanț ținându-l de mânerul din față, oprit și la depărtare de corpul dumneavoastră. Întotdeauna montați capacul lamei de ghidare când transportați sau depozitați ferăstrăul cu lanț.** Manipularea adecvată a ferăstrăului cu lanț va reduce probabilitatea contactului accidental cu lanțul în mișcare al ferăstrăului.
9. **Respectați instrucțiunile pentru lubrifiere, tensionarea lanțului și schimbarea accesoriilor.** Lanțul tensionat sau lubrifiat necorespunzător se poate rupe sau poate crește posibilitatea producerii unui recul.
10. **Asigurați-vă că aveți mâinile uscate, curate și fără ulei sau unsoare.** Mănerle unsoase, uleioase sunt alunecoase și pot produce pierderea controlului.
11. **Tăiați numai lemn. Nu folosiți ferăstrăul cu lanț în alte scopuri decât cele pentru care a fost destinat.** De exemplu: nu utilizați ferăstrăul cu lanț pentru tăierea plasticului, zidăriei sau materialelor de construcție care nu sunt lemnoase. Utilizarea ferăstrăului pentru operațiuni diferite față de cele pentru care a fost destinat poate avea ca rezultat producerea unei situații periculoase.
12. **Cauzele și modul de prevenire al reculului:**
- |                    |              |                 |           |
|--------------------|--------------|-----------------|-----------|
| Reculul            | poate        | apărea          | când      |
| nasul              | sau          | vârful          | lamei     |
| de                 | ghidare      | atinge          | un        |
| obiect             | sau          | când            | lemnul    |
| se                 | strânge      | și              | prinde    |
| lanțul             | ferăstrăului | în              | tăietură. |
| În                 | unele        | cazuri,         | contactul |
| vârfului           | poate        | produce         | o         |
| reacție            | inversă      | neașteptată,    |           |
| smucind            | lama         | de              | ghidare   |
| în                 | sus          | și              | înapoi,   |
| pe                 | direcția     | operatorului.   |           |
| Strangularea       | lanțului     |                 |           |
| ferăstrăului de-a  | lungul       | părții          |           |
| superioare a       | lamei        | de              |           |
| ghidare            | poate        | împinge         | brusc     |
| lama               | de           | ghidare         | înapoi    |
| spre               | operator.    | Oricare         | dintre    |
| aceste             | reacții      | poate           | produce   |
| pierderea          | controlului  | asupra          |           |
| ferăstrăului,      | cea          | ce              |           |
| poate              | produce      | vătămarea       |           |
| corporală          | gravă.       | Nu              | vă        |
| bazați             | exclusiv     | pe              |           |
| dispozitivele      | de           |                 |           |
| siguranță          | încorporate  |                 | în        |
| ferăstrău.         | Ca           | utilizator      | de        |
| ferăstrău          | cu           | lanț,           | trebuie   |
| să                 | parcurgeți   | câteva          | etape     |
| pentru             | a            | menține         |           |
| activitatea        | de           | tăiere          | fără      |
| accidente          | sau          | răniri. Reculul |           |
| este               | rezultatul   | utilizării      | incorecte |
| a                  | ferăstrăului | și/sau          | al        |
| procedurilor       | de           | lucru           |           |
| condițiilor        | de           |                 |           |
| necorespunzătoare, | putând       | fi              |           |
| evitat             | prin         | adoptarea       | unor      |
| măsuri             | de           | precauție       | adecvate  |
| prezentate         | în           | continuare:     |           |
| • Mențineți        | o            | prindere        | fermă,    |
| cu                 | degetele     | mari            | și        |
| celelalte          | degete       | încunjurând     |           |
| mănerele           | cu           | ferăstrăului    | lanț,     |
| cu                 | ambele       | mâini           | pe        |
| ferăstrău          | și           | poziționați-vă  |           |
| corpul             | și           | brațul          | astfel    |
| încât              | să           | permită         |           |
| opunerea           | la           | forțele         | de        |
| recul.             | Forțele      | de              | recul     |
| pot                | fi           | controlate      | de        |
| câte               | operator,    | dacă            | sunt      |
| luate              | măsurile     | de              |           |
| precauție          | adecvate.    | Nu              | scăpați   |
| ferăstrăul         | cu           | lanț.           |           |
| ►                  | <b>Fig.1</b> |                 |           |
| •                  | Nu           | depășiți        | nivelul   |
|                    | și           | nu              | efectuați |
|                    | deasupra     | înălțimii       | umărului. |
|                    | vă           | va              | ajuta     |
|                    |              |                 | să        |

preveniri contactul neintenționat al vârfului și va permite un control mai bun al ferăstrăului cu lanț în situații neprevăzute.

- Utilizați doar lanțurile de schimb specificate de producător. Lamele și lanțurile de schimb incorecte pot cauza ruperea lanțului și/sau recul.
- Pentru ascuțirea și întreținerea ferăstrăului cu lanț, respectați instrucțiunile producătorului. Scăderea înălțimii indicatorului de adâncime poate conduce la recul mărit.

**13. Înainte de începerea lucrului, verificați dacă ferăstrăul cu lanț funcționează corespunzător și dacă starea acestuia corespunde normelor de tehnică a securității. Verificați în special dacă:**

- Frâna de lanț funcționează corect;
- Frâna de siguranță funcționează corect;
- Lama și roții de apărătoare lanț sunt instalate corect;
- Lanțul a fost ascuțit și tensionat în conformitate cu reglementările.

**14. Nu porniți ferăstrăul cu lanț cu apărătorea de lanț instalată pe acesta.** Pornirea ferăstrăului cu lanț cu apărătorea de lanț instalată poate duce la proiectarea în față a acesteia, rezultând răniri și deteriorări ale obiectelor din jurul operatorului.

**Avertismente suplimentare privind siguranța:**

1. **Atunci când utilizați mașina cu adaptorul acumulatorului, aveți grijă să nu vă împiedicați de cablu în timpul funcționării.**
2. **Atunci când utilizați mașina cu adaptorul acumulatorului, feriți cablul de obstacole, cum ar fi o piesă de prelucrat sau crengi, în timpul funcționării.** Cablul s-ar putea prinde în acestea, ceea ce ar putea conduce la accidentări grave.

## Avertizări de siguranță specifice ferăstrăului cu lanț cu mâner superior

1. **Acest ferăstrău cu lanț este destinat în special întreținerii și curățării arborilor. Ferăstrăul cu lanț trebuie utilizat doar de operatori instruiți în mod corespunzător. Respectați toate instrucțiunile, procedurile și recomandările organizației profesionale relevante. În caz contrar, se pot produce accidente fatale. Vă recomandăm să utilizați întotdeauna o platformă de ridicare (elevator, dispozitiv de ridicare) pentru tăierea arborilor. Tehnicile rapelului sunt extrem de periculoase și necesită instruire specială. Operatorii trebuie să fie instruiți pentru a se familiariza cu utilizarea echipamentului de siguranță și cu tehnicile de cățărare. Utilizați întotdeauna centuri, frânghii și carabiniere adecvate atunci când lucrați în arbori. Utilizați întotdeauna echipament de fixare atât pentru operator, cât și pentru ferăstrău.**
2. **Realizați operațiunile de curățare și întreținere înainte de depozitare, în conformitate cu manualul de instrucțiuni.**
3. **Asigurați-vă că ferăstrăul cu lanț este poziționat ferm în timpul transportului rutier pentru a evita scurgerile de combustibil și ulei de lanț, deteriorarea mașinii și accidentarea.**
4. **Verificați periodic funcționarea frânei de lanț.**
5. **Nu completați uleiul de lanț lângă foc. Nu fumați niciodată atunci când completați uleiul de lanț.**
6. **Reglementările naționale pot restricționa utilizarea ferăstrăului cu lanț.**
7. **Dacă echipamentul suferă un impact puternic sau cade, verificați starea acestuia înainte de a continua lucrul. Verificați dacă există defecțiuni ale comenzilor și ale dispozitivelor de siguranță. Dacă există țavarii, sau starea produsului este incertă, contactați centrul nostru de service autorizat pentru inspecție și reparații.**
8. **Activați întotdeauna frâna de lanț înainte de a porni ferăstrăul cu lanț.**
9. **Țineți ferm ferăstrăul în poziție pentru a evita derapajul (deplasarea prin alunecare) sau saltul ferăstrăului în momentul începerii operațiunii de tăiere.**
10. **La finalul operațiunii de tăiere, aveți grijă să vă mențineți echilibrul în timpul „căderii”.**
11. **Țineți cont de direcția și viteza vântului. Evitați rumegușul și pulverizarea fină a uleiului de lanț.**

**Echipament de protecție**

1. **Pentru a evita vătămarea capului, a ochilor, a mâinilor sau a picioarelor, precum și pentru a vă proteja auzul, trebuie să purtați**

## următoarele echipamente de protecție în timpul utilizării ferăstrăului cu lanț:

- Îmbrăcămintea trebuie să fie adecvată, și anume trebuie să fie strânsă pe corp atât cât să nu vă împiedice. Nu purtați bijuterii sau haine care se pot agăța în tufisuri și lăstariș. Dacă aveți părul lung, purtați întotdeauna o plasă pentru păr!
- Este necesar să purtați o cască de protecție ori de câte ori lucrați cu ferăstrăul cu lanț. **Casca de protecție** trebuie verificată la intervale regulate pentru semne de deteriorare și trebuie înlocuită cel mult după 5 ani. Utilizați numai căști de protecție aprobate.
- **Masca de protecție** a căștii de protecție (sau ochelarii de protecție) vă protejează împotriva rumegușului și a așchilor. În timpul utilizării ferăstrăului cu lanț, purtați întotdeauna ochelari de protecție sau o mască de protecție pentru a preveni vătămarea ochilor.
- Purtați **echipamentul adecvat de protecție împotriva zgomotului** (antifoane pentru urechi, dopuri pentru urechi etc.)
- **Jacheta de protecție** este alcătuită din 22 de straturi de nylon și protejează operatorul împotriva tăieturilor. Aceasta trebuie purtată întotdeauna în timpul lucrului pe platforme ridicate (elevatoare, dispozitive de ridicare), pe platforme montate pe scări sau atunci la cățărarea cu frânghii.
- **Salopeta de protecție cu bretele și pieptar** este confecționată dintr-un material din nylon cu 22 de straturi și vă protejează împotriva tăieturilor. Recomandăm

insistent purtarea acesteia.

- **Mănușile de protecție** fabricate din piele groasă fac parte din echipamentul recomandat și trebuie purtate întotdeauna în timpul utilizării ferăstrăului cu lanț.
- În timpul utilizării ferăstrăului cu lanț, trebuie să purtați întotdeauna **papuci**

### de protecție

sau **bocanci de protecție** dotați cu o talpă antiderapantă, vârfuri din oțel și protecție pentru picior. Papucii de protecție strat de protecție asigură un echilibru bun. Dacă lucrați în arbori, bocancii de protecție trebuie să fie adecvați pentru tehnicile cățărare.

### Vibrații

1. Persoanele care au probleme cu circulația sângelui și care sunt expuse la vibrații excesive pot suferi leziuni ale vaselor de sânge sau ale sistemului nervos. Vibrațiile pot produce apariția următoarelor simptome în degete, mâini sau încheieturi: „Amorțeală” (insensibilitate), furnicăături, durere, înțepături, modificarea culorii sau a texturii pielii. **Dacă apare oricare dintre aceste simptome, consultați un medic!** Pentru a reduce riscul apariției „sindromului degetelor albe”, păstrați-vă mâinile calde în timpul utilizării și înțrețineți în mod corect utilajul și accesoriile.

## PĂSTRAȚI ACESTE INSTRUCȚIUNI.

**⚠️ AVERTIZARE:** NU permiteți comodității și familiarizării cu produsul (obținute prin utilizare repetată) să înlocuiască respectarea strictă a normelor de securitate pentru acest produs. **FOLOSIREA INCORECTĂ** sau nerespectarea normelor de securitate din acest manual de instrucțiuni poate provoca vătămări corporale grave.

## Instrucțiuni importante privind siguranța pentru cartușul acumulatorului

- Înainte de a folosi cartușul acumulatorului, citiți toate instrucțiunile și atenționările de pe (1) încarcătorul acumulatorului, (2) acumulator și (3) produsul care folosește acumulatorul.
- Nu dezmembrați cartușul acumulatorului.
- Dacă timpul de funcționare s-a redus excesiv, întrerupeți imediat funcționarea. Aceasta poate prezenta risc de supraîncălzire, posibile arsuri și chiar explozie.
- Dacă electrolitul pătrunde în ochi, clătiți bine ochii cu apă curată și consultați imediat un medic. Există risc de orbire.
- Nu scurtcircuitați cartușul acumulatorului:
  - Nu atingeți bornele cu niciun material conductor.
  - Evitați depozitarea cartușului acumulatorului la un loc cu alte obiecte metalice cum ar fi cuie, monede etc.
  - Nu expuneți cartușul acumulatorului la apă sau ploaie.Un scurtcircuit al acumulatorului poate provoca un flux puternic de curent electric, supraîncălzire, posibile arsuri și chiar defectarea mașinii.
- Nu depozitați mașina și cartușul acumulatorului în spații în care temperatura poate atinge sau depăși 50 °C (122 °F).
- Nu incinerati cartușul acumulatorului chiar dacă acesta este grav deteriorat sau complet uzat. Cartușul acumulatorului poate exploda în foc.
- Aveți grijă să nu scăpați sau să loviți acumulatorul.
- Nu utilizați un acumulator deteriorat.
- Acumulatorii Li-Ion încorporați se supun cerințelor Legislației privind substanțele periculoase.

Pentru transporturi comerciale, efectuate de exemplu de către părți terțe, expeditori, trebuie respectate cerințele speciale de ambalare și etichetare.

Pentru pregătirea articolului care urmează să fie expedit, este necesară consultarea

unui expert în materiale periculoase. Vă rugăm să respectați, de asemenea, reglementările naționale, care pot fi mai detaliate. Izolați sau acoperiți contactele deschise și împachetați acumulatorul în așa fel încât să nu se poată mișca în ambalaj.

- Atunci când eliminați la deșeurile cartușul acumulatorului, scoateți-l din mașină și eliminați-l într-un loc sigur. Respectați normele naționale privind eliminarea la deșeurile a acumulatorului.
- Utilizați acumuloarele numai cu produsele specificate de Makita. Instalarea acumuloarelor în produse neconforme poate cauza incendii, căldură excesivă, explozii sau scurgeri de electrolit.
- Dacă mașina nu este utilizată o perioadă lungă de timp, acumulatorul trebuie scos din acesta.

## PĂSTRAȚI ACESTE INSTRUCȚIUNI.

**⚠️ ATENȚIE:** Folosiți numai acumulatori Makita originali. Acumulatorii Makita care nu sunt originali și acumulatorii care au suferit modificări se pot aprinde, provocând incendii, leziuni corporale și daune. De asemenea, anulează garanția oferită de Makita pentru uneltele și încarcătorul Makita.

## Sfaturi pentru obținerea unei durate maxime de exploatare a acumulatorului

- Încărcați cartușul acumulatorului înainte de a se descărca complet. Întrerupeți întotdeauna funcționarea mașinii și încărcați cartușul acumulatorului când observați o scădere a puterii mașinii.
- Nu reîncărcați niciodată un acumulator complet încărcat. Supraîncărcarea va scurta durata de exploatare a acumulatorului.
- Încărcați cartușul acumulatorului la temperatura camerei, între 10 °C - 40 °C (50 °F - 104 °F). Lăsați un acumulator fierbinte să se răcească înainte de a-l încărca.
- Încărcați cartușul acumulatorului în cazul în care nu a fost utilizat pe o perioadă mai lungă (mai mult de șase luni).

# DESCRIERE COMPONENTE

Fig.2

1	Indicator acumulator	2	Buton de verificare	3	Buton declanșator
4	Mâner superior	5	Pârghie de blocare	6	Apărătoare anterioară pentru mână
7	Lamă de ghidare	8	Lanț de ferăstrău	9	Opritor de lanț
10	Piuliță de fixare	11	Șurub de a reglare lanțului	12	Cartușul acumulatorului
13	Indicator alimentare principală	14	Indicator mod	15	Întreprupător de alimentare principal
16	Bușon	17	Șurub de (pentru de ulei) reglare pompa	18	Carabinieră
19	Mâner anterior	20	Bușon rezervor ulei	21	Bară de dîntă protecție
22	Capac lamă de ghidare	-	-	-	-

## DESCRIEREA FUNCȚIILOR

**ATENȚIE:** Asigurați-vă întotdeauna că mașina este oprită și cartușul acumulatorului este scos înainte de a ajusta sau verifica funcționarea mașinii.

### Instalarea sau scoaterea cartușului acumulatorului

**ATENȚIE:** Opriți întotdeauna mașina înainte de montarea sau demontarea cartușului de acumulator.

**ATENȚIE:** Țineți ferm mașina și cartușul acumulatorului la montarea sau demontarea cartușului. În cazul în care nu țineți ferm mașina și cartușul de acumulator, acestea vă pot aluneca din mâini, rezultând defectarea mașinii și cartușului de acumulator, precum și în accidentări personale.

**Fig.3:** 1. Indicator roșu 2. Buton de  
3. Cartușul acumulatorului

Pentru a scoate cartușul acumulatorului, în timp ce glisați-l din mașină de pe partea frontală a butonului.

Pentru a instala cartușul acumulatorului, pe cartușul acumulatorului cu canalura din carcasa și introduceți-l în locaș.

Introduceți-l complet, până când se înclichează în locaș. Dacă puteți vedea indicatorul roșu din partea superioară a butonului, acesta nu este blocat complet.

**ATENȚIE:** Instalați întotdeauna cartușul acumulatorului complet, până când indicatorul roșu nu mai este vizibil. În caz

contrar, acesta poate cădea accidental din mașină provocând rănirea dumneavoastră sau a persoanelor din jur.

**ATENȚIE:** Nu forțați cartușul acumulatorului la montare. Dacă acesta nu glisează ușor, înseamnă că a fost introdus incorect.

### Indicarea capacității rămase a acumulatorului

**Fig.4:** 1. Indicator acumulator 2. Buton de verificare

Apăsați butonul de verificare pentru indicarea capacității-

Indicarea rămase a acumulatorului. - Indicațiile ambientale, indicația poate fi ușor diferită de capacitatea reală.

Stare indicator acumulator			Capacitatea rămasă a acumulatorului
Pornit	Oprit	Iluminare intermitentă	
			între 100%
			între 50%
			între 20%
			Încărcați acumulatorul

## Indicarea capacității rămase a acumulatorului

Numai pentru cartușe de acumulator cu indicator

► Fig.5: 1. Lămpi indicatoare 2.

Buton de verificare

Apăsați butonul de verificare de

pe cartușul acumulatorului,

astfel încât să se indice capacitatea

Lămpile indicatorului vor lumina timp

Lămpi indicatoare			Capacitate rămasă
Iluminat	Oprit	Iluminare intermitentă	
			între 100%
			între 75%
Lămpi indicatoare			Capacitate rămasă
Iluminat	Oprit	Iluminare intermitentă	
			între 50%
			între 25%
			Încărcați acumulatorul.
			Este posibil ca acumulatorul să fie defect.

NOTĂ: În funcție de condițiile

## Sistem de protecție mașină/acumulator

Mașina este prevăzută cu un sistem de protecție mașină/acumulator. Acest sistem întrerupe automat alimentarea motorului pentru a extinde durata de funcționare a mașinii și a acumulatorului. Mașina se va opri automat în timpul funcționării dacă mașina sau acumulatorul se află într-una din situațiile următoare:

### Protecție la suprasarcină

Atunci când acumulatorul este utilizat într-un mod care cauzează un consum de curent neobișnuit de ridicat, mașina se va opri automat și indicatorul sursei de alimentare emite o lumină verde intermitentă. În această situație, opriți mașina și întrerupeți aplicația care a dus la supraîncălzirea mașinii. Apoi, reporniți mașina.

### Protecție la supraîncălzire

Dacă mașina sau acumulatorul se supraîncălzesc, mașina se oprește automat și indicatorul sursei de alimentare principală emite o lumină roșie. În acest caz, lăsați mașina și acumulatorul să se răcească înainte de a reporni mașina.

**NOTĂ:** În medii cu temperaturi ridicate, este posibil ca protecția la supraîncălzire să nu funcționeze, iar mașina se oprește automat.

### Protecție la supradescărcare

În cazul în care capacitatea acumulatorului este suficientă, mașina se oprește automat și indicatorul sursei de alimentare emite o lumină roșie intermitentă. În acest caz, scoateți acumulatorul din mașină și încărcați-l.

## Înterupător de alimentare principal

**⚠️ AVERTIZARE:** Opriți întotdeauna  
înterupătorul de alimentare principal atunci când  
nu utilizezi unealta.

Pentru a porni mașina, apăsați  
pe înterupătorul de  
alimentare principal până când  
indicatorul sursei de alimentare  
principale va emite o lumină  
verde. Pentru a opri  
ferăstrăul, apăsați din  
înterupătorul de alimentare principal.

► **Fig.6: 1.** Indicator  
principală alimentare  
mod 2. Indicator mod 3.  
Înterupător de  
alimentare principal

**NOTĂ:** Indicatorul sursei de alimentare principale  
emite o lumină verde  
intermitentă dacă butonul  
declanșator este tras  
în condiții de  
nefuncționare. Indicatorul  
luminează intermitent în  
următoarele circumstanțe.

- Atunci când porniți  
înterupătorul de  
alimentare principal în timp  
ce apăsați în jos  
pe pârghia de blocare  
și pe butonul  
declanșator.
- Atunci când trageți butonul  
declanșator în timp  
ce frâna de lanț  
este aplicată.
- Atunci când eliberați frâna  
de lanț în timp  
ce apăsați în jos  
pe pârghia de blocare  
și trageți butonul  
declanșator.

**NOTĂ:** Această mașină este dotată  
cu funcția de oprire  
automată. Pentru a evita  
pornirea neintenționată,  
înterupătorul de  
alimentare principal se va  
închide automat dacă butonul  
declanșator nu este  
tras pentru o anumită  
perioadă de timp după  
pornirea acestuia.

de alimentare principal timp de  
câteva secunde până când  
indicatorul modului începe să  
o lumineze verde. emite

**NOTĂ:** Puteți utiliza mașina în  
modul Amplificare cuplu timp  
de până la 60  
de secunde. În funcție  
de condițiile de utilizare,  
acest mod comută la  
modul normal în mai  
puțin de 60  
secunde.

**NOTĂ:** Dacă indicatorul modului emite  
o lumină verde când  
intermitentă atunci de  
apăsați înterupătorul  
alimentare principal timp  
câteva secunde, modul  
Amplificare cuplu nu este  
disponibil. În acest caz,  
respectați pașii următori.

- Modul Amplificare cuplu nu  
este disponibil imediat după  
operațiunea de tăiere.  
Așteptați peste 10 secunde  
și apoi apăsați din  
nou înterupătorul de  
alimentare principal timp  
câteva secunde.

- Dacă utilizați modul  
Amplificare cuplu de câteva  
ori, această utilizare este  
restricționată pentru a  
proteja acumulatorul. Dacă  
modul Amplificare cuplu  
este disponibil după ce  
ați așteptat peste 10  
secunde, înlocuiți cartușul  
acumulatorului cu unul  
încărcat complet sau  
reîncărcați cartușul  
acumulatorului.

**NOTĂ:** Dacă indicatorul sursei de  
alimentare principale emite o  
lumină roșie sau emite  
o lumină roșie sau  
verde intermitentă,  
consultați instrucțiunile  
sistemului de protecție a  
mașinii/acumulatorului.

Puteți utiliza mașina în modul  
Amplificare cuplu pentru a tăia  
crengi groase sau dure. Pentru  
a utiliza mașina în modul  
Amplificare cuplu, atunci când  
este oprită, apăsați înterupătorul

## Verificarea frânei de lanț

**ATENȚIE:** Țineți ferăstrăul cu lanț cu ambele mâini atunci când îl porniți. Prindeți mânerul superior cu mâna dreaptă și mânerul frontal cu mâna stângă. Lama și lanțul nu trebuie să fie în contact cu niciun obiect.

**ATENȚIE:** Dacă lanțul de ferăstrău nu se oprește imediat la executarea acestui test, nu este permisă în niciun caz utilizarea ferăstrăului. Consultați centrele noastre de service autorizate.

1. Apăsăți mânerul de blocare, apoi trageți butonul declanșator. Lanțul de

## Acționarea întrerupătorului

**AVERTIZARE:** Pentru siguranța dumneavoastră, această mașină este echipată cu o pârghie de deblocare care previne pornirea neintenționată. Nu utilizați NICIODATĂ mașina dacă aceasta pornește la simpla tragere a butonului declanșator, fără a apăsa pârghia de deblocare. Returnați unealta la un centru de service autorizat pentru efectuarea reparațiilor corespunzătoare ÎNAINTE de a continua utilizarea acesteia.

**AVERTIZARE:** Nu blocați NICIODATĂ pârghia de deblocare cu bandă adezivă și nu dezactivați NICIODATĂ scopul sau funcția acesteia.

**ATENȚIE:** Înainte de a introduce cartușul acumulatorului în mașină, verificați întotdeauna dacă butonul declanșator funcționează corect și revine în poziția „OFF” (oprit) când este eliberat.

**NOTĂ:** Nu trageți puternic butonul declanșator fără a apăsa pârghia de deblocare. Butonul se poate rupe.

Pentru a preveni acționarea accidentală a butonului declanșator, pârghie de porni și blocare și declanșator. fi de declanșator mașina. Pârghia de declanșator mărită pe butonul declanșator pentru a preveni acționarea butonului de porni și blocare și declanșator. Turația mașinii poate fi mărită prin creșterea forței de declanșator pe butonul declanșator pentru a opri mașina.

- **Fig.7:** 1. Buton declanșator  
2. Pârghie de blocare

## Reglarea lubrifierii lanțului

- ferăstrău pornește imediat.
2. Împingeți apărătoarea frontală a mâinii înainte cu spatele mâinii. Asigurați-vă că ferăstrăul cu lanț se oprește imediat.
- **Fig.8:** 1. Apărătoare anterioară pentru mână
2. Poziție deblocată
  3. Poziție blocată

## Verificarea frânei de siguranță

**ATENȚIE:** Dacă ferăstrăul cu lanț nu se oprește într-un interval de două secunde la efectuarea acestui test, încetați utilizarea acestuia și consultați centrul nostru de service autorizat.

Porniți ferăstrăul cu lanț, apoi eliberați complet butonul declanșator. Lanțul de ferăstrău trebuie să se oprească într-un interval de două secunde.

Puteți regla debitul pompei de ulei cu ajutorul șurubului de reglare, folosind cheia universală. Cantitatea de ulei poate fi reglată în 3 pași.

Deschideți bușonul pentru reglare.

► **Fig.9:** 1. Bușon  
2. Șurub de reglare

## Carabinieră (punct de atașare a frânghiei)

Puteți agăța mașina prin atașarea frânghiei de carabinieră. Trageți carabiniera în sus și apoi legați-o cu frânghia.

► **Fig.10:** 1. Carabinieră

## Bară de protecție dințată

Mașina este echipată cu o bară de protecție dințată ca accesoriu standard. Pentru a înlocui bara de protecție dințată, adresați-vă centrelor de service autorizate Makita.

Atunci când executați operația de tăiere, poziționați bara de protecție dințată pe trunchiul copacului și utilizați-o ca pârghie.

## Funcție electronică

Mașina este echipată cu funcții electronice pentru operare facilă.

- Control constant al vitezei
- Funcția de control al vitezei furnizează viteza de rotație constantă indiferent de condițiile de sarcină.

## ASAMBLARE

**ATENȚIE:** Asigurați-vă întotdeauna că mașina este oprită și cartușul acumulatorului este scos înainte de a executa orice lucrări la mașină.

**ATENȚIE:** Nu atingeți lanțul ferăstrăului cu mâinile goale. Purtați întotdeauna mănuși atunci când manipulați lanțul ferăstrăului.

## Demontarea sau montarea lanțului de ferăstrău

**ATENȚIE:** Lanțul de ferăstrău și lama de ghidare sunt în continuare fierbinți după operare. Lăsați-le să se răcească suficient înainte de a efectua orice lucrări pe unealtă.

**ATENȚIE:** Efectuați procedeul de montare sau demontare a lanțului de ferăstrău într-un loc curat, fără rumeguș sau alte materii asemănătoare.

Pentru a demonta lanțul de ferăstrău, efectuați pașii de mai jos:

1. Eliberați frâna de lanț, trăgând apărătoarea de frontală.
  2. Slăbiți șurubul de reglare a lanțului și fixare. Piulița de reglare a lanțului și fixare.
- **Fig.11:** 1. Șurub de reglare a lanțului și fixare  
2. Piuliță de

3. Îndepărtați capacul roții de lanț, apoi îndepărtați lanțul de ferăstrăului și lama de ghidare din corpul ferăstrăului.

Pentru a efectuați montajul următorii pași:

1. Verificați direcția lanțului de ferăstrău. Potrivii direcția de ferăstrău cu cea a marcajului de pe corpul ferăstrăului.
  2. Montați un capăt al lanțului de ferăstrău în partea de sus a lamei de ghidare.
  3. Montați celălalt capăt al lanțului de ferăstrău în jurul roții de atașat lama de ghidare pe corpul ferăstrăului și aliniați orificiul de știftului de ajutorul corpul ferăstrăului cu Roată de lanț.
- **Fig.12:** 1. Roată de lanț  
2. Orificiu

4. Introduceți știftul de roții de corpul și apoi închideți astfel încât știftul de ferăstrăului se potrivească cu elementele corespondente de pe capac. Proeminență de lanț
- **Fig.13:** 1. Proeminență de lanț  
2. Capacul roții de lanț

3. Bolț
4. Știft
5. Strângeți piulița de apărătoarea roții de lanț, apoi slăbiți-o pentru reglarea tensiunii. Piuliță de fixare

## Reglarea tensionării lanțului de ferăstrău

**ATENȚIE:** Nu strângeți excesiv lanțul de ferăstrău. Tensionarea excesivă a lanțului de ferăstrău poate provoca ruperea acestuia și uzarea lamei de ghidare.

**ATENȚIE:** Un lanț prea slăbit poate sări de pe lamă, prezentând așadar pericol de accidentare.

- Lanțul de ferăstrău se poate detensiona după mai multe ore de utilizare. Verificați din când în când tensionarea lanțului înainte de utilizare.
1. Eliberați frâna de lanț, trăgând apăraătoarea frontală pentru mână.
  2. Slăbiți puțin piulița de fixare pentru a slăbi roții de lanț. ► **Fig.15:** 1.
  3. Ridicați ușor vârful lamei de tensiunea lanțului. Rotiți șurubul de reglare a lanțului spre dreapta pentru a-l slăbi.

#### Pentru lama lanțului 90PX și 91PX:

- Strângeți lanțul de ferăstrău până când partea inferioară a ferăstrău se potrivește în șina lamei de ghidare, cum este ilustrat.
- **Fig.16:** 1. Lamă de ferăstrău
2. Lanț de ferăstrău
  3. Șurub de reglare lanțului

#### Pentru lama lanțului 25AP:

- Strângeți lanțul de ferăstrău astfel încât spațiul dintre centrul părții inferioare a lamei de ghidare și lanțul de ferăstrău să ajungă la aproximativ 1 mm.
4. Continuați să țineți ușor lama de ghidare și apăraătoarea roții de lanț.

#### Pentru lama lanțului 90PX și 91PX:

- Asigurați-vă că lanțul de ferăstrău nu este slăbit în partea de jos.

#### Pentru lama lanțului 25AP:

- Asigurați-vă că spațiul dintre centrul părții inferioare a lamei de ghidare și lanțul de

ferăstrău este de aproximativ 1 mm - 2 mm.

5. Strângeți piulița de fixare pentru a fixa ferm apăraătoarea roții de lanț. ► **Fig.17:** 1. Piuliță de fixare

## OPERAREA

### Lubrifierea

Lanțul de ferăstrău este lubrifiat automat atunci când mașina este în funcțiune. Verificați periodic cantitatea de ulei rămasă în rezervor, prin vizorul de nivel al uleiului.

Pentru a reumple rezervorul, așezați ferăstrăul cu lanț pe o parte, apăsați bușonul rezervorului de ulei și apoi uleiul este potrivită de 200 ml. După reumplerea rezervorului, asigurați-vă că bușonul rezervorului este strâns pe poziție.

- **Fig.18:** 1. Bușon rezervor ulei 2. Vizor de nivel al uleiului

După reumplere, țineți ferăstrăul cu lanț la distanță de pom. Porniți-l și așteptați până când lanțul de ferăstrău este lubrifiat corespunzător. ► **Fig.19**

**NOTĂ:** Atunci când alimentați ferăstrăul cu lanț pentru prima dată cu ulei de lanț sau când reumpleți rezervorul după golirea completă a acestuia, turnați ulei până la marginea inferioară a gâtului de umplere. În caz contrar, alimentarea cu ulei poate fi defectuoasă.

**NOTĂ:** Utilizați doar uleiul pentru ferăstrăul cu lanț Makita sau un ulei similar disponibil pe piață.

**NOTĂ:** Nu utilizați niciodată ulei cu praf sau particule sau ulei volatili.

**NOTĂ:** Când curățați arborii de crengi, utilizați întotdeauna ulei vegetal. Uleiul mineral poate fi dăunător pentru pomi.

**NOTĂ:** Înainte de tăiere, asigurați-vă că bușonul livrat al rezervorului de ulei este înșurubat la locul său.

## LUCRUL CU FERĂSTRĂUL CU LANȚ

**ATENȚIE:** Feriți toate părțile corpului din calea lanțului de ferăstrău în timpul funcționării motorului.

**ATENȚIE:** Țineți ferm ferăstrăul cu lanț cu ambele mâini în timpul funcționării motorului.

**ATENȚIE:** Nu vă întindeți excesiv. Mențineți-vă permanent echilibrul și sprijiniți-vă ferm pe picioare.

**NOTĂ:** Nu scuturați și nu aruncați niciodată unealta.

**NOTĂ:** Nu acoperiți aerisirile uneltei.

## Curățarea arborilor

Așezați corpul ferăstrăului cu lanț în contact cu creanga de tăiat înainte de a-l porni. În caz contrar, lama de ghidare poate oscila, rezultând rănirea operatorului. Tăiați lemnul doar prin deplasarea ferăstrăului în jos, folosind greutatea acestuia. ► **Fig.20**

Dacă nu puteți tăia complet buștenii dintr-o singură mișcare: Aplicați o ușoară presiune asupra mânerului și continuați să tăiați, trăgând puțin înapoi ferăstrăul cu lanț. ► **Fig.21**

Atunci când realizați mică tăietură la partea superioară. ► **Fig.22**

Dacă încercați să tăiați crengi groase de la partea inferioară, creanga se poate prinde în tăietură. Dacă încercați să tăiați crengi groase de la partea superioară fără bază, creanga se despică. ► **Fig.23**

## Transportarea uneltei

Înainte de transportarea uneltei, aplicați întotdeauna frâna pentru lanț și îndepărtați cartușele acumulatori din aceasta. Apoi atașați apărătoarea lamei de ghidare. De asemenea, acoperiți cartușul acumulatorului cu capacul

► **Fig.24:** 1. Capac de ghidare  
2. Capacul acumulatorului

## ÎNTREȚINERE

**ATENȚIE:** Asigurați-vă întotdeauna că mașina este oprită și cartușul acumulatorului scos înainte de a executa lucrările de inspecție și întreținere.

**ATENȚIE:** Purtați întotdeauna mănuși când executați orice lucrare de inspecție și întreținere.

**NOTĂ:** Nu utilizați niciodată gazolină, benzină, diluant, alcool sau alte substanțe asemănătoare. În caz contrar, pot rezulta decolorări, deformări sau fisuri.

Pentru a menține SIGURANȚA și FIABILITATEA produsului, reparațiile și orice alte lucrări de întreținere sau reglare trebuie executate de centre de service Makita autorizate sau proprii, folosind întotdeauna piese de schimb Makita.

## Ascuțirea lanțului de ferăstrău

**Ascuțiți lanțul de ferăstrău atunci când:**

- La tăierea lemnului umed se produce rumeguș făinos;
- Lanțul penetrează lemnul cu dificultate, chiar dacă se aplică o forță puternică;
- Muchiile tăietoare sunt deteriorate vizibil;
- Ferăstrăul trage spre stânga sau dreapta la tăierea lemnului. (cauza este ascuțirea neuniformă a lanțului de ferăstrău, sau deteriorarea unei singure laturi)

Ascuțiți frecvent lanțul de ferăstrău, însă îndepărtați doar o cantitate mică de material de fiecare dată. Două sau trei curse ale pilei sunt suficiente de obicei pentru o ascuțire de rutină. După ce lanțul de ferăstrău a fost reascuțit de mai multe ori, solicitați ascuțirea acestuia la centrul nostru de service autorizat.

**Criterii de ascuțire:**

**AVERTIZARE:** O distanță excesivă între muchia de tăiere și indicatorul de adâncime crește riscul de recul.

►	<b>Fig.25:</b>	<b>1.</b>	Lungime	cuțit
		<b>2.</b>	Distanță	dintre
			muchia	de tăiere
			și	indicatorul de
			adâncime	
		<b>3.</b>	Lungimea minimă	a
			cuțitului	(3 mm)
—	Toate	lungimile	de	cuțite
		trebuie	să	fie
		egale.	Lungimile	diferite
		ale	cuțitelor	împiedică
		funcționarea	a	lanțului
		ferăstrăului	și	poate
		duce	la	ruperea
	acestui.			
—	Nu	ascuțiți	ferăstrăul	dacă
		lungimea	cuțitului	a
		atins	3	mm
		sau	mai	puțin.
		Lanțul	trebuie	să
		fie	înlocuit	cu
		unul	nou.	
—	Grosimea	așchiei	este	
		determinată	de	
		distanța	dintre	indicatorul
		de	adâncime	(ciocul
		rotund)	și	muchia
		tăietoare.		
—	Cele	mai	bune	rezultate
		de	tăiere	se
		obțin	cu	
	următoarea	distanță	între	muchia
	de	tăiere	și	
	indicatorul	de	adâncime.	
		lanțului	90PX:	0,65
•	Lama	mm	lanțului	91PX:
		mm		0,65
•	Lama	mm	lanțului	25AP:
		mm		0,65
				► <b>Fig.26</b>
—	Unghiul	de	ascuțire	de
		30°	trebuie	să
		fie	identic	pe
		toate	cuțitele.	Diferențele
		între	unghiurile	cuțitului
		cauzează	o	funcționare
		neuniformă	a	lanțului și
		uzarea	accelerată	a
		acestui.	conducând	la
		ruperea	lanțului.	
—	Utilizați	o	pilă	rotundă
		potrivită	pentru	menținerea
		unghiului	corespunzător	
		de	ascuțire	contra
		dinților.		
•	Lama	lanțului	90PX	:
		55°		
•	Lama	lanțului	91PX	:
		55°		
•	Lama	lanțului	25AP:	55°

## Pila și ghidarea pilei

—	Utilizați	pentru	ascuțirea
	lanțului	o	pilă
	rotundă	specială	(accesoriu
	opțional)	pentru	lanțuri
	ferăstrău.	Pilele	rotunde
	normale	nu	sunt
	adecvate.		
—	Diametrul	pilei	rotunde
	fiecare	lanț	de
	este	următorul:	pentru
•	Lama	lanțului	90PX:
	mm		4,5
•	Lama	lanțului	91PX:
	mm		4,0
•	Lama	lanțului	25AP:
	mm		4,0
—	Pila	trebuie	să
		contact	cu
		la	curșa
		Ridicați	pila
		cuțit	de
		la	curșa
		revenire.	
—	Ascuțiți	întâi	cuțitul
	mai	scurt.	Apoi,
	acestui	cel	mai
	cuțit	devine	standard
	toate	celelalte	cuțite
	pe	lanțul	de
	ferăstrău.		
—	Ghidați	pila	după
	se	vede	în
	cum		Pilă
	figură. ►	<b>Fig.27:</b>	de
	<b>2.</b>	Lanț	ferăstrău
—	Pila	poate	fi
		ușor	dacă
		un	suport
		(accesoriu	opțional).
		pilă	dispune
		pentru	unghiul
		ascuțire	de
		marcajele	paralel
		de	ferăstrău)
		adâncimea	de
		de	
		din diametru	al pilei).
►	<b>Fig.28:</b>	<b>1.</b>	Suport
			pilă
—	După	ascuțirea	lanțului,
		indicatorului	verificați
		adâncime	de
		utilizând	instrumentul
		de	etalonare
		(accesoriu	a
		opțional).	lanțului
►	<b>Fig.29</b>		
—	Îndepărtați	orice	proeminență
	de	material,	oricât
	mică,	cu	o
	plată	specială	pilă
	opțional).	(accesoriu	
—	Rotunjiți	din	nou
	frontală	a	muchia
	de	adâncime.	indicatorului

## Curățarea lamei de ghidare

Așchiile și rumegușul se vor acumula în canelura lamei de ghidare. Acestea pot bloca canelura lamei de ghidare și pot periclita debitul de ulei. Eliminați întotdeauna și rumegușul atunci când sau înlocuiți lanțul de ferăstrău. ► **Fig.30**

## Curățarea capacului roții de lanț

Așchiile și rumegușul se vor acumula în interiorul capacului de lanț. Îndepărtați capacul de lanț și lanțul ferăstrăului de pe unealtă, apoi curățați așchiile și rumegușul. ► **Fig.31**

## Curățarea orificiului de evacuare ulei

În timpul funcționării, în orificiul de evacuare a uleiului se pot acumula particulele mici de praf sau impurități. Aceste particule mici de praf sau impurități pot perturba fluxul de uleiului și pot cauza o lubrifiere insuficientă a lanțului de ferăstrău. Dacă întregului lanț de ferăstrău defectuoasă intervine o alimentare defectuoasă cu ulei de lanț în partea superioară a lamei de ghidare, curățați orificiul de evacuare a uleiului după cum

1. Demontați apărătoarea roții de lanț și lanțul de ferăstrău de pe unealtă.
2. Îndepărtați particulele mici sau șurubelniță cu cap crestată sau ceva asemănător. ► **Fig.32:** 1. Șurubelniță cu cap crestată 2. Orificiu de evacuare a uleiului

## Instrucțiuni de întreținere periodică

Pentru a asigura o durată mare de viață, preveni deteriorarea și a asigura funcționarea deplină a dispozitivelor de siguranță, următoarele operații trebuie efectuate cu considerare regulată și corespunzător. Nerespectarea efectuării lucrărilor de întreținere poate duce la accidente! Utilizatorul ferăstrăului cu lanț de întreținere care nu sunt

3. Introduceți în acumulatorului. Trageți butonul declanșator pentru a scurgerea uleiului particulele de impurități de orificiul de uleiului.
4. Scoateți cartușul acumulatorului din unealtă. Reinstalați apărătoarea roții de lanț și lanțul de ferăstrău pe unealtă.

## Înlocuirea roții de lanț

**ATENȚIE:** O roată de lanț uzată va deteriora un lanț de ferăstrău nou. Înlocuiți roata de lanț în acest caz.

Înainte de a instala un lanț de ferăstrău nou, verificați starea roții de lanț. ► **Fig.33:** 1. Roată de lanț 2. Zonele care pot fi uzate

Instalați întotdeauna un lanț de blocare nou atunci când înlocuiți roata de lanț. ► **Fig.34:** 1. Inel de blocare 2. Roată de lanț

**NOTĂ:** Asigurați-vă că roata de lanț este montată după cum este prezentat în figură.

## Depozitarea uneltei

1. Curățați unealta înainte de depozitării. Îndepărtați așchiile și rumegușul de pe unealtă după ce ați demontat apărătoarea roții de lanț.
2. După curățarea uneltei, utilizați mașina în gol pentru a gol pentru a ferăstrău și lubrifia lanțul de ferăstrău și lama de ghidare.
3. Acoperiți lama de ghidare cu apărătoarea pentru lamă de ghidare.
4. Goliți rezervorul de ulei.

instrucțiuni. Orice astfel de lucrări trebuie executate de centrul nostru de service autorizat.

Verificare element/Timp de funcționare		Înainte de operare	Zilnic	Săptămânal	La fiecare 3 luni	Anual	Înainte de depozitare
Ferăstrău cu lanț	Inspecție.	✓	-	-	-	-	-
	Curățarea.	-	✓	-	-	-	-
	Verificați la un centru de service autorizat.	-	-	-	-	✓	✓
Lanț de ferăstrău	Inspecție.	✓	-	-	-	-	-
	Ascuțiți, dacă este necesar.	-	-	-	-	-	✓
Lamă de ghidare	Inspecție.	✓	✓	-	-	-	-
	Înlăturați de pe ferăstrăul cu lanț.	-	-	-	-	-	✓
Frână de lanț	Verificați funcționarea.	✓	-	-	-	-	-
	A se verifica regulat la un atelier de service autorizat.	-	-	-	✓	-	-
Ungerea lanțului	Verificați rata de alimentare cu ulei.	✓	-	-	-	-	-
Buton declanșator	Inspecție.	✓	-	-	-	-	-
Pârghie de blocare	Inspecție.	✓	-	-	-	-	-
Bușon rezervor ulei	Verificați etanșeitatea.	✓	-	-	-	-	-
Opritor de lanț	Inspecție.	-	-	✓	-	-	-
Șuruburi și piulițe	Inspecție.	-	-	✓	-	-	-

## DEPANARE

Înainte de a solicita reparații, efectuați mai întâi propria inspecție. În cazul în care găsiți o problemă care nu este explicată în manual, nu încercați să demontați echipamentul. În schimb, adresați-vă de Centrelor de service autorizate Makita, utilizând întotdeauna piese de schimb Makita pentru reparații.

Stare defecțiune	Cauza	Acțiune
Ferăstrăul cu lanț nu pornește.	Cartușul acumulatorului este montat. nu	Montați un cartuș al acumulatorului încărcat.
	Problemă cu (tensiune acumulatorul scăzută).	Reîncărcați cartușele cu acumulatori. Dacă reîncărcarea nu este eficientă, înlocuiți cartușul acumulatorului.
	Înterupătorul de alimentare este principal oprit.	Ferăstrăul cu lanț este oprit automat dacă nu este utilizat pentru o perioadă de timp. Porniți din nou înterupătorul de alimentare principal.
Lanțul ferăstrăului nu funcționează.	Frâna de lanț este activată.	Eliberați frâna de lanț.
Motorul se oprește după puțin timp.	Nivelul de încărcare al acumulatorului este redus.	Reîncărcați cartușele cu acumulatori. Dacă reîncărcarea nu este eficientă, înlocuiți cartușul acumulatorului.
Nu există ulei pe lanț.	Rezervorul de ulei este gol.	Umpleți rezervorul de ulei.
	Canalul de ghidare a uleiului este murdar.	Curățați canalul.
	Alimentare deficitară cu ulei.	Reglați debitul de ajutor al șurubului de reglare.
Ferăstrăul cu lanț atinge turajul maximă.	Cartușul acumulatorului este instalat necorespunzător.	Montați cartușele cu acumulatori în descrierile din acest manual.
	Puterea acumulatorului se reduce.	Reîncărcați cartușul acumulatorului. Dacă reîncărcarea nu este eficientă, înlocuiți cartușul acumulatorului.

			Sistemul de acționare nu funcționează corect.		Solicitați asistența centrului de servicii regiunea pentru autorizat din dumneavoastră reparații.
Indicatorul de alimentare principal emite o lumină verde intermitentă.	Butonul declanșator este în condiții nefuncționare.	este tras de		Trageți	butonul după întrerupătorului alimentare după frânei lanț. declanșator pomirea de și eliberarea de
Lanțul nu se oprește dacă lanțul este cuplată: <b>Oprți imediat unealta!</b>	Banda de frânare este uzată.			Solicitați	asistența centrului de servicii regiunea pentru autorizat din dumneavoastră reparații.
Vibrații anormale: <b>Oprți imediat unealta!</b>	Slăbiți lama ghidare lanțul de ferăstrău.	de sau de		Ajutați	tensiunea lamei de și de a
	Defect	unealtă.		Solicitați	asistența centrului de servicii regiunea pentru autorizat din dumneavoastră reparații.
Modul Amplificare cuplu nu este disponibil după înlocuirea acumulatorului cu unul complet încărcat.	În funcție de condițiile de utilizare, Amplificare este disponibil după înlocuirea cartușului acumulatorului.	de modul nu		Utilizați	mașina modul până cartușul se apoi cartușul cu complet reîncărcați acumulatorului. în normal când acumulatorului consumă, înlocuiți acumulatorului unul încărcat sau cartușul acumulatorului.
Lanțul de ferăstrău nu poate fi montat.	Combi-nația dintre ferăstrău și roata nu corectă.	lanțul de lanț		Utilizați	combi-nația dintre ferăstrău și roata lanț secțiunea corectă lanțul de și de consultând Specificații.

## ACCESORII OPȚIONALE

**⚠ATENȚIE:** Folosiți accesoriile sau piesele auxiliare recomandate pentru mașina dumneavoastră Makita în acest manual.

Utilizarea oricăror alte accesorii sau piese auxiliare poate prezenta risc de vătămare corporală. Utilizați

accesoriile și piesele auxiliare numai în scopul destinat.

Dacă aveți nevoie de asistență sau de mai multe detalii referitoare la aceste accesorii, adresați-vă centrului local de service Makita.

- Lanț de ferăstrău

- Lamă de ghidare
- Capac lamă de ghidare
- Roată de lanț
- Pilă
- Acumulator și încărcător original Makita

**⚠️ AVERTIZARE:** Dacă achiziționați o lamă de ghidare de lungime diferită față de lama de ghidare standard, achiziționați și o apărătoare corespunzătoare pentru aceasta. Aceasta trebuie să se potrivească și să acopere complet lama de ghidare de pe ferăstrăul cu lanț.

**NOTĂ:** Unele articole din listă pot fi incluse ca accesorii standard în scule. Acestea pot diferi în funcție de țară.

# TECHNISCHE DATEN

Sägekettentyp		91PX				
Anzahl der Antriebsglieder		40	46	52	56	
Schwert	Schwertlänge	mm	mm	mm	mm	
	Schnittlänge	mm	mm	mm	mm	
	Teilung	3/8"				
	Treibgliedstärke	1,3 mm				
	Typ	Umlenksternschwert				
Kettenrad	Zähnezahl	6				
	Teilung	3/8"				
Sägekettentyp		90PX				
Anzahl der Antriebsglieder		40	46	52	56	
Schwert	Schwertlänge	mm	mm	mm	mm	
	Schnittlänge	mm	mm	mm	mm	
	Teilung	3/8"				
	Treibgliedstärke	1,1 mm				
	Typ	Umlenksternschwert				
Kettenrad	Zähnezahl	6				
	Teilung	3/8"				
<b>Modell:</b>		<b>DUC256</b>	<b>DUC306</b>	<b>DUC356</b>	<b>DUC406</b>	<b>DUC256C</b>

Gesamtlänge (ohne Schwert)		270 mm				
Nennspannung		36 V Gleichstrom				
Nettogewicht	*1	4,2 kg				
	*2	4,6 - 4,8 kg	4,7 - 4,9 kg	4,8 - 5,0 kg	4,8 - 5,1 kg	4,6 - 4,7 kg
Standard-Schwertlänge		250 mm	300 mm	350 mm	400 mm	250 mm
Empfohlene Schwertlänge	mit 90PX	250 - 400 mm				-
	mit 91PX	250 - 400 mm				-
	mit 25AP	-				250 mm
Zutreffender Sägekettentyp (siehe die nachstehende Tabelle)		90PX 91PX			25AP	
Standard-Kettenrad	Zähnezahl	6			9	
	Teilung	3/8"			1/4"	
Kettengeschwindigkeit		0 - 20 m/s (0 - 1.200 m/min)				
Kettenöltank-Inhalt		200 cm <sup>3</sup>				

- Wir behalten uns vor, Änderungen der technischen Daten im Zuge der Entwicklung und des technischen Fortschritts ohne vorherige Ankündigung vorzunehmen.
- Die technischen Daten können von Land zu Land unterschiedlich sein.

\*1: Gewicht mit größtem Akku und leerem Öltank, und ohne Schwert und Kette, gemäß EN ISO 11681-2.

\*2: Leichteste und schwerste Gewichtskombination, gemäß EPTA-Verfahren 01/2014. Das Gewicht kann abhängig von dem Aufsatz (den Aufsätzen), einschließlich des Akkus, unterschiedlich sein.

#### Zutreffende Akkus

BL1830 / BL1830B / BL1840 / BL1840B / BL1850 / BL1850B / BL1860B

- Einige der oben aufgelisteten Akkus sind je nach Ihrem Wohngebiet eventuell nicht erhältlich.











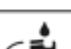

**⚠️ WARNUNG:** Verwenden Sie nur die oben aufgeführten Akkus. Bei Verwendung irgendwelcher anderer Akkus besteht Verletzungs- und/oder Brandgefahr.

#### Sägeketten-, Schwert- und Kettenradkombination

Sägekettentyp		25AP
Anzahl der Antriebsglieder		60
Schwert	Schwertlänge	250 mm
	Schnittlänge	253 mm
	Teilung	1/4"
	Treibgliedstärke	1,3 mm
	Typ	Carving-Schwert
Kettenrad	Zähnezahl	9

## Symbole

Nachfolgend werden die für das Gerät verwendete

	Betriebsanleitung lesen.
	Schutzbrille tragen.
	Einen Gehörschutz tragen.
	Helm, Schutzbrille und Gehörschutz tragen.
	Angemessenen Schutz für Füße/Beine und Hände/Arme verwenden.
	Diese Säge darf nur von fachlich geschulten Personen benutzt werden.
	Keiner Feuchtigkeit aussetzen.
	Höchstzulässige Schnittlänge
	Halten Sie die Kettensäge beim Betrieb immer mit zwei Händen.
	Hüten Sie sich vor Kettensägen-Rückschlag, und vermeiden Sie Kontakt mit der Schwertspitze.
	Kettenumlaufrichtung
	Sägeketten-Öleinstellung

Li-ion  
Werfen Sie Elektrogeräte oder Akkus nicht in den Hausmüll!  
Unter Einhaltung der Europäischen Richtlinie über Elektro- und Elektronik-Altgeräte, Batterien, Akkus sowie verbrauchte Batterien und Akkus und ihre Umsetzung gemäß den Landesgesetzen müssen Elektrogeräte und Batterien bzw. Akkus, die das Ende ihrer Lebensdauer erreicht haben, getrennt gesammelt und einer umweltgerechten Recycling-Einrichtung zugeführt werden.

## Vorgesehene Verwendung

Das Werkzeug ist für das Schneiden von Ästen und Stutzen von Bäumen vorgesehen. Es eignet sich auch für Baumpflege.

## Geräusch

Typischer A-bewerteter Geräuschpegel ermittelt gemäß EN ISO 11681-2:

### Modell DUC256

Schalldruckpegel ( $L_{pA}$ ): 89 dB (A)  
Schalleistungspegel ( $L_{WA}$ ): 103 dB (A)  
Messunsicherheit (K): 3 dB (A)

### Modell DUC306

Schalldruckpegel ( $L_{pA}$ ): 89 dB (A)  
Schalleistungspegel ( $L_{WA}$ ): 103 dB (A)  
Messunsicherheit (K): 3 dB (A)

### Modell DUC356

Schalldruckpegel ( $L_{pA}$ ): 89 dB (A)  
Schalleistungspegel ( $L_{WA}$ ): 103 dB (A)  
Messunsicherheit (K): 3 dB (A)

### Modell DUC406

Schalldruckpegel ( $L_{pA}$ ): 89 dB (A)  
Schalleistungspegel ( $L_{WA}$ ): 103 dB (A)  
Messunsicherheit (K): 3 dB (A)

### Modell DUC256C

Schalldruckpegel ( $L_{pA}$ ): 89 dB (A)  
Schalleistungspegel ( $L_{WA}$ ): 103 dB (A)  
Messunsicherheit (K): 3 dB (A)

	Teilung	1/4"
<b>⚠️ WARNUNG:</b>	Verwenden Sie eine geeignete Kombination von Schwert und Sägekette. Anderenfalls	kommen.



Ni-MH

Nur für

EU-Länder

ten Symbole beschrieben. Machen Sie sich vor der Benutzung mit ihrer Bedeutung vertraut.

**HINWEIS:** Der (Die) angegebene(n) Schallemissionswert(e) wurde(n) im Einklang mit der Standardprüfmethode gemessen und kann (können) für den Vergleich zwischen Werkzeugen herangezogen werden.

**HINWEIS:** Der (Die) angegebene(n) Schallemissionswert(e) kann (können) auch für eine Vorbewertung des Gefährdungsgrads verwendet werden.

**⚠️ WARNUNG:** Einen Gehörschutz tragen.

**⚠️ WARNUNG:** Die Schallemission während der tatsächlichen Benutzung des Elektrowerkzeugs kann je nach der Benutzungsweise des Werkzeugs, und speziell je nach der Art des bearbeiteten Werkstücks, von dem (den) angegebenen Wert(en) abweichen.

**⚠️ WARNUNG:** Identifizieren Sie Sicherheitsmaßnahmen zum Schutz des Benutzers anhand einer Schätzung des Gefährdungsgrads unter den tatsächlichen Benutzungsbedingungen (unter Berücksichtigung aller Phasen des Arbeitszyklus, wie z. B. Ausschalt- und Leerlaufzeiten des Werkzeugs zusätzlich zur Betriebszeit).

### Schwingungen

Schwingungsgesamtwert (Drei-Achsen-Vektorsumme) ermittelt gemäß EN ISO 11681-2:

#### Modell DUC256

Arbeitsmodus: Schneiden von Holz  
Schwingungsemission ( $a_{h,w}$ ): 3,2 m/s<sup>2</sup>  
Messunsicherheit (K): 1,5 m/s<sup>2</sup>

#### Modell DUC306

Arbeitsmodus: Schneiden von Holz  
Schwingungsemission ( $a_{h,w}$ ): 3,2 m/s<sup>2</sup>  
Messunsicherheit (K): 1,5 m/s<sup>2</sup>

#### Modell DUC356

Arbeitsmodus: Schneiden von Holz  
Schwingungsemission ( $a_{h,w}$ ): 3,2 m/s<sup>2</sup>  
Messunsicherheit (K): 1,5 m/s<sup>2</sup>

#### Modell DUC406

Arbeitsmodus: Schneiden von Holz  
Schwingungsemission ( $a_{h,w}$ ): 3,2 m/s<sup>2</sup>  
Messunsicherheit (K): 1,5 m/s<sup>2</sup>

#### Modell DUC256C

Arbeitsmodus: Schneiden von Holz  
Schwingungsemission ( $a_{h,w}$ ): 2,5 m/s<sup>2</sup> oder weniger  
Messunsicherheit (K): 1,5 m/s<sup>2</sup>

**HINWEIS:** Der (Die) angegebene(n) Vibrationsgesamtwert(e) wurde(n) im Einklang mit der Standardprüfmethode gemessen und kann (können) für den Vergleich zwischen Werkzeugen herangezogen werden.

**HINWEIS:** Der (Die) angegebene(n) Vibrationsgesamtwert(e) kann (können) auch für eine

Vorbewertung des Gefährdungsgrads verwendet werden.

**⚠️ WARNUNG:** Die Vibrationsemission während der tatsächlichen Benutzung des Elektrowerkzeugs kann je nach der Benutzungsweise des Werkzeugs, und speziell je nach der Art des bearbeiteten Werkstücks, von dem (den) angegebenen Emissionswert(en) abweichen.

**⚠️ WARNUNG:** Identifizieren Sie Sicherheitsmaßnahmen zum Schutz des Benutzers anhand einer Schätzung des Gefährdungsgrads unter den tatsächlichen Benutzungsbedingungen (unter Berücksichtigung aller Phasen des Arbeitszyklus, wie z. B. Ausschalt- und Leerlaufzeiten des Werkzeugs zusätzlich zur Betriebszeit).

### EG-Konformitätserklärung

#### Nur für europäische Länder

Die EG-Konformitätserklärung ist als Anhang A in dieser Bedienungsanleitung enthalten.

## SICHERHEITSWARNUNG

### EN

### Allgemeine Sicherheitswarnungen für Elektrowerkzeuge

**⚠️ WARNUNG:** Lesen Sie alle mit diesem Elektrowerkzeug gelieferten Sicherheitswarnungen, Anweisungen, Abbildungen und technischen Daten durch. Eine Missachtung der unten aufgeführten Anweisungen kann zu einem elektrischen Schlag, Brand und/oder schweren Verletzungen führen.

### Bewahren Sie alle Warnungen und Anweisungen für spätere Bezugnahme auf.

Der Ausdruck „Elektrowerkzeug“ in den Warnhinweisen bezieht sich auf Ihr mit Netzstrom (mit Kabel) oder Akku (ohne Kabel) betriebenes Elektrowerkzeug.

### Sicherheitswarnungen für Akku-Kettensäge

1. Halten Sie alle Körperteile während des Betriebs der Kettensäge von der Sägekette fern. Vergewissern Sie sich vor dem Einschalten der Kettensäge, dass die Sägekette nicht mit irgendeinem Gegenstand in Berührung ist. Ein

- Augenblick der Unaufmerksamkeit während des Betriebs von Kettensägen führen, dass Ihre Kleidung oder Körperteile von der Sägekette erfasst werden.
2. **Halten Sie die Kettensäge stets mit Ihrer rechten Hand am oberen Handgriff und mit Ihrer linken Hand am vorderen Handgriff.** Das Halten der Kettensäge mit vertauschter Handhaltung führt zu erhöhter Verletzungsgefahr und ist daher unbedingt zu vermeiden.
3. **Das Elektrowerkzeug darf nur an den isolierten Griffflächen gehalten werden, weil die Sägekette verdeckte Leitungen berühren kann.** Bei Kontakt mit einem Strom führenden Kabel können die freiliegenden Metallteile des Elektrowerkzeugs ebenfalls Strom führend werden, so dass der Benutzer einen elektrischen Schlag erleiden kann.
4. **Tragen Sie eine Schutzbrille und einen Gehörschutz.** Zusätzliche Schutzausrüstung für Kopf, Hände, Beine und Füße wird empfohlen. Geeignete Schutzkleidung reduziert die Verletzungsgefahr durch fliegende Trümmer oder versehentlichen Kontakt mit der Sägekette.
5. **Achten Sie stets auf sicheren Stand.**
6. **Wenn Sie einen unter Spannung stehenden Ast abschneiden, achten Sie auf Zurückschnellen.** Wenn sich die Spannung in den Holzfasern entlädt, kann der unter Spannung stehende Ast die Bedienungsperson treffen und/oder die Kettensäge außer Kontrolle bringen.
7. **Lassen Sie beim Schneiden von Gestrüpp und jungen Bäumen äußerste Vorsicht walten.** Die dünnen Äste können an der Sägekette hängen bleiben und gegen Sie geschleudert werden oder Sie aus dem Gleichgewicht bringen.
8. **Tragen Sie die Kettensäge nach dem Ausschalten mit Abstand zu Ihrem Körper am vorderen Handgriff. Bringen Sie zum Transportieren oder Lagern der Kettensäge stets die Schwertschutzhülle an.** Sachgemäße Handhabung der Kettensäge reduziert die Wahrscheinlichkeit einer versehentlichen Berührung der umlaufenden Sägekette.
9. **Befolgen Sie die Anweisungen für die Schmierung, die Kettenspannung und den Austausch von Zubehör.** Eine unsachgemäß gespannte oder geschmierte Kette kann entweder reißen oder die Gefahr von Rückschlägen erhöhen.
10. **Halten Sie die Handgriffe trocken, sauber und frei von Öl und Fett.** Fett- und överschmierte Handgriffe sind schlüpfrig und verursachen den Verlust der Kontrolle.
11. **Schneiden Sie nur Holz. Verwenden Sie die Kettensäge nicht für sachfremde Zwecke.** Zum Beispiel: Verwenden Sie die Kettensäge nicht zum Schneiden von Kunststoff, Mauerwerk oder Nicht-Holz-Baumaterial. Der Gebrauch der Kettensäge für sachfremde Zwecke kann zu einer Gefahrensituation führen.
12. **Ursachen und Verhütung von Rückschlägen:** Rückschläge können auftreten, wenn die Nase oder Spitze des Schwerts ein Objekt berührt, oder wenn sich das Holz schließt und die Sägekette im Schnitt einklemmt. Spitzenkontakt kann in manchen Fällen eine plötzliche Gegenreaktion verursachen, so dass das Schwert nach oben oder hinten zur Bedienungsperson geschleudert wird. Durch Einklemmen der Sägekette entlang dem oberen Lauf des Schwerts kann das Schwert zur Bedienungsperson zurückgeschleudert werden. Jede dieser Reaktionen kann zu einem Verlust der Kontrolle über die Säge und daraus resultierenden schweren Verletzungen führen. Verlassen Sie sich nicht ausschließlich auf Ihre Säge eingebauten Sicherheitsvorrichtungen. Als Kettensägenbenutzer sollten Sie bestimmte Maßnahmen ergreifen, um Ihre Sägearbeiten unfall- und verletzungsfrei zu halten. Rückschlag ist das Resultat falscher Handhabung des Werkzeugs und/oder falscher Arbeitsverfahren oder -bedingungen und kann durch Anwendung der nachstehenden Vorsichtsmaßnahmen vermieden werden:
- Halten Sie die Kettensäge beidhändig mit festem Griff, wobei Ihre Daumen und Finger die Handgriffe umschließen, und positionieren Sie Körper und Arme so, dass Sie Rückschlagkräfte auffangen können. Rückschlagkräfte können durch Treffen geeigneter Vorsichtsmaßnahmen von

der Bedienungsperson kontrolliert werden.

Lassen Sie die Kettensäge los. die nicht

#### ► **Abb.1**

- Übernehmen Sie sich nicht, und schneiden Sie nicht oberhalb der Schulterhöhe. Dies trägt zur Verhütung unbeabsichtigten Spitzenkontakts bei und ermöglicht bessere Kontrolle der Kettensäge in unerwarteten Situationen.
- Verwenden Sie nur vom Hersteller empfohlene Schwerter und Ketten. ungeeignete Schwerter und Ketten können Kettenbruch und/oder Rückschlag verursachen.
- Befolgen Sie die Herstelleranweisungen zum

Schärfen und Warten der Sägekette. Eine Verringerung der Tiefenbegrenzhöhe kann zu vermehrten Rückschlägen führen.

#### 13. Stellen Sie vor Arbeitsbeginn sicher, dass die Kettensäge in einwandfreiem Betriebszustand ist, und dass ihr Zustand den Sicherheitsvorschriften entspricht. Prüfen Sie insbesondere, dass:

- die Kettenbremse einwandfrei funktioniert;
- die Auslaufbremse einwandfrei funktioniert;
- Schwert und Kettenraddeckel korrekt angebracht sind;
- die Kette vorschriftsmäßig geschärft und gespannt worden ist.

#### 14. Schalten Sie die Kettensäge nicht mit noch angebrachtem Kettenschutz ein. Wird die Kettensäge mit noch angebrachtem Kettenschutz eingeschaltet, kann der Kettenschutz nach vorn herausgeschleudert werden, was zu Personenschäden und Beschädigung von Gegenständen im Umfeld des Bedieners führen kann.

#### Zusätzliche Sicherheitswarnungen:

1. Wenn Sie das Werkzeug mit dem Akku-Adapter verwenden, achten Sie darauf, dass Sie während des Betriebs nicht über das Kabel stolpern.
2. Wenn Sie das Werkzeug mit dem Akku-Adapter verwenden, halten Sie das Kabel während des Betriebs von Hindernissen, wie z. B. einem Werkstück oder Ästen, fern. Falls das Kabel an Hindernissen hängen bleibt, kann

es zu ernsthaften Verletzungen kommen.

## Spezielle Sicherheitshinweise für Kettensäge mit oberem Handgriff

1. Diese Kettensäge ist speziell für Baumpfleger und Baumchirurgie vorgesehen. Die Kettensäge darf nur von fachlich geschulten Personen benutzt werden. Befolgen Sie alle Anweisungen, Verfahrensweisen und Empfehlungen der relevanten Berufsgenossenschaft. Anderenfalls können tödliche Unfälle auftreten. Zum Sägen in Bäumen wird stets die Verwendung einer Hebebühne (Hubkorb, Lift) empfohlen. Abseiltechniken sind äußerst gefährlich und erfordern eine spezielle Ausbildung. Die Bedienungspersonen müssen im Gebrauch von Sicherheitsausrüstung und Klettertechniken geschult werden. Beim Arbeiten in Bäumen müssen stets geeignete Gurte, Seile und Karabiner verwendet werden. Benutzen Sie stets Rückhaltevorrichtungen für Bedienungsperson und Säge.
2. Führen Sie Reinigung und Wartung vor der Lagerung gemäß der Bedienungsanleitung durch.
3. Achten Sie beim Kfz-Transport auf sichere Lage der Kettensäge, um Auslaufen von Kraftstoff oder Kettenöl, Beschädigung des Werkzeugs und Personenschaden zu vermeiden.
4. Überprüfen Sie die Funktionsfähigkeit der Kettenbremse regelmäßig.
5. Füllen Sie Kettenöl nicht in der Nähe von Feuer ein. Rauchen Sie auf keinen Fall beim Einfüllen von Kettenöl.
6. Der Gebrauch der Kettensäge kann durch Vorschriften des jeweiligen Landes eingeschränkt sein.
7. Falls das Gerät einen schweren Aufprall oder Sturz erleidet, überprüfen Sie seinen Zustand, bevor Sie die Arbeit fortsetzen. Überprüfen Sie die Bedienelemente und Sicherheitsvorrichtungen auf Fehlfunktionen. Falls Sie einen Schaden feststellen oder Zweifel haben, wenden Sie sich bezüglich einer Inspektion und Reparatur an unser autorisiertes Service-Center.
8. Aktivieren Sie stets die Kettenbremse, bevor Sie die Kettensäge starten.
9. Halten Sie die Säge sicher in Position, um Abgleiten (Rutschbewegung) oder Springen der Säge am Anfang eines Schnitts zu vermeiden.
10. Achten Sie am Ende des Schnitts darauf, dass Sie wegen des „Abfalls“ nicht die Balance verlieren.
11. Windrichtung und -geschwindigkeit müssen ebenfalls berücksichtigt werden. Vermeiden Sie Sägemehl und Kettenölnebel.

#### Schutzsicherung

1. **Um Verletzungen von Kopf, Augen, Händen oder Füßen sowie Gehörschäden zu vermeiden, müssen die folgenden Schutzvorrichtungen während der Arbeit mit der Kettensäge verwendet werden:**

- Die Kleidung soll zweckmäßig, d. h. eng anliegend, aber nicht hinderlich sein. Tragen Sie keine Schmuckgegenstände oder Kleidung, die sich an Buschwerk oder Ästen verfangen können. Wenn Sie langes Haar haben, sollten Sie unbedingt ein Haarnetz tragen!
- Bei allen Arbeiten mit der Kettensäge ist das Tragen eines Schutzhelms notwendig. Der **Schutzhelm** muss in regelmäßigen Abständen auf Beschädigung hin überprüft und spätestens nach 5 Jahren ausgewechselt werden. Verwenden Sie nur geprüfte Schutzhelme.
- Der **Gesichtsschutz** des Schutzhelms (oder eine Schutzbrille) schützt vor Sägemehl und Holzsplittern. Tragen Sie beim Arbeiten mit der Kettensäge stets eine Schutzbrille oder einen Gesichtsschutz, um Augenverletzungen zu verhüten.
- Tragen Sie geeignete **Schallschutzausrüstung** (Kapselgehörschützer, Ohrstöpsel usw.).
- Die **Schutzjacke** besteht aus 22 Nylongewebelagen und schützt die Bedienungsperson vor Schnitten. Sie ist bei Arbeiten auf Hochbühnen (Hubkorb, Lift), leitermontierten Plattformen oder beim Klettern mit Seilen stets zu tragen.
- **Schutzgurt und Latzhose** bestehen aus 22 Nylongewebelagen und schützen vor Schnitten. Ihre Verwendung wird dringend empfohlen.

- **Schutzhandschuhe** aus dickem Leder gehören zur vorschriftsmäßigen Ausrüstung und sind beim Arbeiten mit der Kettensäge immer zu tragen.
- **Sicherheitschuhe** oder **Sicherheitsstiefel** mit rutschfester Sohle, Stahlkappen und Beinschutz sind beim Arbeiten mit der Kettensäge stets zu tragen. Mit einer Schutzeinlage versehene Sicherheitsschuhe bieten Schutz gegen Schnitte und gewährleisten einen sicheren Stand. Bei Arbeiten in Bäumen müssen die Sicherheitsstiefel für Klettertechniken geeignet sein.

**Vibrationen**

1. Personen mit Kreislaufstörungen, die starken Vibrationen ausgesetzt werden, können Schädigungen der Blutgefäße oder des Nervensystems erleiden. Folgende Symptome können durch Schwingungen an Fingern, Händen oder Handgelenken auftreten: „Einschlafen“ (Taubheit) von Körperteilen, Kribbeln, Schmerz, Stechen, Veränderung von Hautfarbe oder Haut. **Falls eines dieser Symptome auftritt, suchen Sie einen Arzt auf!** Um das Risiko der „Weißfingerkrankheit“ zu verringern, halten Sie Ihre Hände während der Arbeit warm, und warten und pflegen Sie Gerät und Zubehörteile gut.

**DIESE ANWEISUNGEN AUFBEWAHREN.**

**⚠️ WARNUNG:** Lassen Sie sich **NICHT** durch **Bequemlichkeit oder Vertrautheit mit dem Produkt (durch wiederholten Gebrauch erworben) von der strikten Einhaltung der Sicherheitsregeln für das vorliegende Produkt abhalten. MISSBRAUCH oder Missachtung der Sicherheitsvorschriften in dieser Anleitung können schwere Verletzungen verursachen.**

**Wichtige Sicherheitsanweisungen für Akku**

1. **Lesen Sie vor der Benutzung des Akkus alle Anweisungen und Warnhinweise, die an (1) Ladegerät, (2) Akku und (3) Akkuwerkzeug angebracht sind.**

2. **Unterlassen Sie ein Zerlegen des Akkus.** Hitzebildung, einer Explosion  
oder Auslaufen von Elektrolyt  
führen.
3. **Falls die Betriebszeit beträchtlich kürzer geworden ist, stellen Sie den Betrieb sofort ein. Anderenfalls besteht die Gefahr von Überhitzung, möglichen Verbrennungen und sogar einer Explosion.**
4. **Falls Elektrolyt in Ihre Augen gelangt, waschen Sie sie mit sauberem Wasser aus, und begeben Sie sich unverzüglich in ärztliche Behandlung. Anderenfalls können Sie Ihre Sehkraft verlieren.**
5. **Der Akku darf nicht kurzgeschlossen werden:**
- (1) **Die Kontakte dürfen nicht mit leitfähigem Material berührt werden.**
  - (2) **Lagern Sie den Akku nicht in einem Behälter zusammen mit anderen Metallgegenständen, wie z. B. Nägel, Münzen usw.**
  - (3) **Setzen Sie den Akku weder Wasser noch Regen aus.**

Ein Kurzschluss des Akkus verursacht starken Stromfluss, der Überhitzung, mögliche Verbrennungen und einen Defekt zur Folge haben kann.

6. **Lagern Sie das Werkzeug und den Akku nicht an Orten, an denen die Temperatur 50 °C erreichen oder überschreiten kann.**
7. **Versuchen Sie niemals, den Akku zu verbrennen, selbst wenn er stark beschädigt oder vollkommen verbraucht ist. Der Akku kann im Feuer explodieren.**
8. **Achten Sie darauf, dass der Akku nicht fallen gelassen oder Stößen ausgesetzt wird.**
9. **Benutzen Sie keine beschädigten Akkus.**
10. **Die enthaltenen Lithium-Ionen-Akkus unterliegen den Anforderungen der Gefahrgutgesetzgebung.**  
Für kommerzielle Transporte, z. B. durch Dritte oder Spediteure, müssen besondere Anforderungen zu Verpackung und Etikettierung beachtet werden.  
Zur Vorbereitung des zu transportierenden Artikels ist eine Beratung durch einen Experten für Gefahrgut erforderlich.  
Bitte beachten Sie möglicherweise ausführlichere nationale Vorschriften. Überkleben oder verdecken Sie offene Kontakte, und verpacken Sie den Akku so, dass er sich in der Verpackung nicht umher bewegen kann.
11. **Entfernen Sie den Akku zum Entsorgen vom Werkzeug, und entsorgen Sie ihn an einem sicheren Ort. Befolgen Sie die örtlichen Vorschriften bezüglich der Entsorgung von Akkus.**
12. **Verwenden Sie die Akkus nur mit den von Makita angegebenen Produkten.** Das Einsetzen der Akkus in nicht konforme Produkte kann zu einem Brand, übermäßiger

## DIESE ANWEISUNGEN AUFBEWAHREN.

**⚠ VORSICHT:** Verwenden Sie nur Original-Makita-Akkus. Die Verwendung von Nicht-OriginalMakita-Akkus oder von Akkus, die abgeändert worden sind, kann zum Bersten des Akkus und daraus resultierenden Bränden, Personenschäden und Beschädigung führen. Außerdem wird dadurch die Makita-Garantie für das Makita-Werkzeug und -Ladegerät ungültig.

## Hinweise zur Aufrechterhaltung der maximalen Akku-Nutzungsdauer

1. **Laden Sie den Akku, bevor er vollkommen erschöpft ist. Schalten Sie das Werkzeug stets aus, und laden Sie den Akku, wenn Sie ein Nachlassen der Werkzeugleistung feststellen.**
2. **Unterlassen Sie erneutes Laden eines voll aufgeladenen Akkus. Überladen führt zu einer Verkürzung der Nutzungsdauer des Akkus.**
3. **Laden Sie den Akku bei Raumtemperatur zwischen 10 – 40 °C. Lassen Sie einen heißen Akku abkühlen, bevor Sie ihn laden.**
4. **Der Akku muss geladen werden, wenn er lange Zeit (länger als sechs Monate) nicht benutzt wird.**

# BEZEICHNUNG DER TEILE

Abb.2

1	Akku-Anzeige	2	Prüftaste	3	Auslöseschalter
4	Oberer Handgriff	5	Einschaltsperrhebel	6	Vorderer Handschutz
7	Schwert	8	Sägekette	9	Kettenfänger
10	Sicherungsmutter	11	Ketten-Einstellschraube	12	Akku
13	Hauptbetriebslampe	14	Betriebsart-Anzeige	15	Hauptbetriebsschalter
16	Kappe	17	Einstellschraube (für Ölpumpe)	18	Karabiner
19	Vorderer Handgriff	20	Öltankverschluss	21	Krallenanschlag
22	Schwertschutzhülle	-	-	-	-

## FUNKTIONSBESCHREIBUNG

**⚠ VORSICHT:** Vergewissern Sie sich vor der Durchführung von Einstellungen oder Funktionsprüfungen des Werkzeugs stets, dass das Werkzeug ausgeschaltet und der Akku abgenommen ist.

### Anbringen und Abnehmen des Akkus

**⚠ VORSICHT:** Schalten Sie das Werkzeug stets aus, bevor Sie den Akku anbringen oder abnehmen.

**⚠ VORSICHT:** Halten Sie das Werkzeug und den Akku beim Anbringen oder Abnehmen des Akkus sicher fest. Wenn Sie das Werkzeug und den Akku nicht sicher festhalten, können sie Ihnen aus der Hand rutschen, was zu einer Beschädigung des Werkzeugs und des Akkus und zu Körperverletzungen führen kann.

Abb.3: 1. Rote Anzeige 2. Knopf 3. Akku

Ziehen Sie den Akku zum Abnehmen vom Werkzeug ab, während Sie den Knopf an der Vorderseite des Akkus verschieben.

Richten Sie zum Anbringen des Akkus dessen Führungsfeder auf die Nut im Gehäuse aus, und schieben Sie den Akku hinein. Schieben Sie ihn vollständig ein, bis er mit einem hörbaren Klicken einrastet. Falls die rote Anzeige an der Oberseite des Knopfes sichtbar ist, ist der Akku nicht vollständig verriegelt.

**⚠ VORSICHT:** Schieben Sie den Akku stets bis zum Anschlag ein, bis die rote Anzeige nicht mehr sichtbar ist. Anderenfalls kann er aus dem Werkzeug herausfallen und Sie oder umstehende Personen verletzen.

**⚠ VORSICHT:** Unterlassen Sie Gewaltanwendung beim Anbringen des Akkus. Falls der Akku nicht reibungslos hineingleitet, ist er nicht richtig ausgerichtet.

### Anzeigen der Akku-Restkapazität

Abb.4: 1. Akku-Anzeige 2. Prüftaste  
Drücken Sie die Prüftaste, um die Akku-Restkapazität anzuzeigen. Jedem Akku sind eigene Akku-Anzeigen zugeordnet.

Status der Akku-Anzeige			Akku-Restkapazität
Ein	Aus	Blinkend	
			50% bis 100%
			20% bis 50%
			0% bis 20%
			Akku aufladen

### Anzeigen der Akku-Restkapazität

Nur für Akkus mit Anzeige

Abb.5: 1. Anzeigelampen 2. Prüftaste  
Drücken Sie die Prüftaste am Akku, um die AkkuRestkapazität anzuzeigen. Die Anzeigelampen leuchten wenige Sekunden lang auf.

Anzeigelampen			Restkapazität
Erleuchtet	Aus	Blinkend	
■	□	▧	75% bis 100%
■ ■ ■ ■			
■ ■ ■ □			
■ ■ □ □			
■ □ □ □			
▧ □ □ □			Den Akku aufladen.
Anzeigelampen			Restkapazität
Erleuchtet	Aus	Blinkend	
■	□	▧	Möglicherweise liegt eine Funktionsstörung im Akku vor.
■ ■ □ □	□ □ ■ ■		

**HINWEIS:** Abhängig von den Benutzungsbedingungen und der Umgebungstemperatur kann die Anzeige geringfügig von der tatsächlichen Kapazität abweichen.

## Werkzeug/Akku-Schutzsystem

Das Werkzeug ist mit einem Werkzeug/Akku-Schutzsystem ausgestattet. Dieses System schaltet die Stromversorgung des Motors automatisch ab, um die Lebensdauer von Werkzeug und Akku zu verlängern. Das Werkzeug bleibt während des Betriebs automatisch stehen, wenn das Werkzeug oder der Akku einer der folgenden Bedingungen unterliegt:

### Überlastschutz

Wird der Akku auf eine Weise benutzt, die eine ungewöhnlich hohe Stromaufnahme bewirkt, bleibt das Werkzeug automatisch stehen, und die Hauptbetriebslampe blinkt in Grün. Schalten Sie in dieser Situation das Werkzeug aus, und brechen Sie die Arbeit ab, die eine Überlastung des Werkzeugs verursacht hat. Schalten Sie dann das Werkzeug wieder ein, um die Arbeit fortzusetzen.

### Überhitzungsschutz

Wenn das Werkzeug oder der Akku überhitzt wird, bleibt das Werkzeug automatisch stehen, und die Hauptbetriebslampe leuchtet in Rot auf. Lassen Sie das

Werkzeug und den Akku in diesem Fall abkühlen, bevor Sie das Werkzeug wieder einschalten.

**HINWEIS:** Bei hohen Umgebungstemperaturen neigt der Überhitzungsschutz zum Aktivieren, so dass das Werkzeug automatisch stehen bleibt.

## Überentladungsschutz

Wenn die Akkukapazität nicht ausreicht, bleibt das Werkzeug automatisch stehen, und die Hauptbetriebslampe blinkt in Rot. Nehmen Sie in diesem Fall den Akku vom Werkzeug ab, und laden Sie ihn auf.

## Hauptbetriebsschalter

**⚠ WARNUNG:** Schalten Sie den Hauptbetriebsschalter stets aus, wenn das Werkzeug nicht benutzt wird.

Um das Werkzeug einzuschalten, drücken Sie den Hauptbetriebsschalter, bis die Hauptbetriebslampe in Grün aufleuchtet. Zum Ausschalten des Werkzeugs drücken Sie den Hauptbetriebsschalter erneut. ► **Abb.6: 1.** Hauptbetriebslampe **2.** Betriebsart-Anzeige **3.** Hauptbetriebsschalter

**HINWEIS:** Die Hauptbetriebslampe blinkt in Grün, wenn der Auslöseschalter unter betriebsunfähigen Bedingungen betätigt wird. Die Lampe blinkt unter einer der folgenden Bedingungen.

- Wenn Sie den Hauptbetriebsschalter einschalten, während Sie den Einschaltsperrhebel und den Auslöseschalter gedrückt halten.
- Wenn Sie den Auslöseschalter angezogener betätigen, bei Kettenbremse
- Wenn Sie die Kettenbremse lösen, während Sie den Einschaltsperrhebel gedrückt halten und den Auslöseschalter betätigen.

**HINWEIS:** Dieses Werkzeug verwendet die Abschaltautomatik. Um unbeabsichtigtes Anlaufen zu vermeiden, wird der Hauptbetriebsschalter automatisch abgeschaltet, wenn der Auslöseschalter eine bestimmte Zeitlang nach dem Einschalten des Hauptbetriebsschalters nicht betätigt wird.

Sie können das Werkzeug im Drehmoment/Verstärkungsmodus benutzen, um dicke oder harte Äste zu

schneiden. Um das Werkzeug im Drehmoment-Verstärkungsmodus zu benutzen, drücken Sie den Hauptbetriebsschalter bei ausgeschaltetem Werkzeug ein paar Sekunden lang, bis die Betriebsart-Anzeige in Grün aufleuchtet.

**HINWEIS:** Sie können das Werkzeug bis zu 60 Sekunden lang im Drehmoment-Verstärkungsmodus benutzen. Abhängig von den Benutzungsbedingungen wechselt dieser Modus nach weniger als 60 Sekunden wieder in den Normalmodus.

**HINWEIS:** Falls die Betriebsart-Anzeige in Grün blinkt, wenn Sie den Hauptbetriebsschalter ein paar Sekunden lang drücken, ist der Drehmoment-Verstärkungsmodus nicht verfügbar. Befolgen Sie in diesem Fall die nachstehenden Schritte.

- Der Drehmoment-Verstärkungsmodus ist unmittelbar nach dem Schneidbetrieb nicht verfügbar. Warten Sie länger als 10 Sekunden, bevor Sie den Hauptbetriebsschalter erneut drücken.
- Falls Sie den Drehmoment-Verstärkungsmodus mehrmals benutzen, wird der Gebrauch des Drehmoment-Verstärkungsmodus zum Schutz des Akkus eingeschränkt. Falls der Drehmoment-Verstärkungsmodus nach einer Wartezeit von mehr als 10 Sekunden nicht verfügbar ist, ersetzen Sie den Akku durch einen voll aufgeladenen, oder laden Sie den Akku auf.

**HINWEIS:** Falls die Hauptbetriebslampe in Rot aufleuchtet oder in Rot oder Grün blinkt, nehmen Sie auf die Anweisungen für das Werkzeug/Akku-Schutzsystem Bezug.

**⚠️ WARNUNG:** Aus Sicherheitsgründen ist dieses Werkzeug mit einem Einschaltsperrhebel ausgestattet, der versehentliches Einschalten des Werkzeugs verhindert. Benutzen Sie das Werkzeug NIEMALS, wenn es durch einfache Betätigung des Auslöseschalters eingeschaltet werden kann, ohne den Einschaltsperrhebel zu drücken. Lassen Sie das Werkzeug von einem unserer autorisierten Service-Center ordnungsgemäß reparieren, BEVOR Sie es weiter benutzen.

**⚠️ WARNUNG:** Der Einschaltsperrhebel darf NIEMALS festgeklebt oder funktionsunfähig gemacht werden.

**⚠️ VORSICHT:** Vergewissern Sie sich vor dem Einsetzen des Akkus in das Werkzeug stets, dass der Ein-Aus-Schalter ordnungsgemäß funktioniert und beim Loslassen in die AUS-Stellung zurückkehrt.

**ANMERKUNG:** Betätigen Sie den Ein-Aus-Schalter nicht gewaltsam, ohne den Einschaltsperrhebel zu drücken. Dies kann zu Beschädigung des Schalters führen.

Um versehentliche Betätigung des Auslöseschalters zu verhindern, ist das Werkzeug mit einem Einschaltsperrhebel ausgestattet. Zum Starten des Werkzeugs drücken Sie erst den Einschaltsperrhebel und betätigen dann den Auslöseschalter. Die Drehzahl erhöht sich durch verstärkte Druckausübung auf den Auslöseschalter. Zum Anhalten lassen Sie den Auslöseschalter los.

► **Abb.7:** 1. Auslöseschalter 2. Einschaltsperrhebel

## Überprüfen der Kettenbremse

**⚠️ VORSICHT:** Halten Sie die Kettensäge beim Einschalten mit beiden Händen. Halten Sie den oberen Handgriff mit der rechten, und den Frontgriff mit der linken Hand. Dabei dürfen Schwert und Kette mit keinem Gegenstand in Berührung sein.

**⚠️ VORSICHT:** Sollte die Sägekette bei der Durchführung dieser Prüfung nicht sofort anhalten, darf die Säge unter keinen Umständen benutzt werden. Konsultieren Sie unser autorisiertes Service-Center.

1. Drücken Sie den Einschaltsperrhebel, und betätigen Sie dann den Auslöseschalter. Die Sägekette läuft sofort an.
  2. Schieben Sie den vorderen Handschutz mit dem Handrücken vorwärts. Vergewissern Sie sich, dass die Kettensäge zum Stillstand kommt. unverzüglich den Stillstand kommt.
- **Abb.8:** 1. Vorderer Handschutz 2. Position 3. Verriegelte Position

**⚠️ VORSICHT:** Falls die Sägekette bei dieser Prüfung nicht innerhalb von zwei Sekunden stehen bleibt, benutzen Sie die Kettensäge nicht weiter, und konsultieren Sie unser autorisiertes Service-Center.

## Schalterfunktion

Lassen Sie die Kettensäge laufen, und geben Sie dann den Auslöseschalter vollkommen frei. Die Sägekette muss innerhalb von zwei Sekunden zum Stillstand kommen.

## Einstellen der Kettenschmierung

Die Ölpumpen-Fördermenge kann durch Drehen der Einstellschraube mit dem Universalschlüssel reguliert werden. Die Ölmenge kann in 3 Schritten eingestellt werden. Öffnen Sie die Kappe, um die Einstellschraube einzustellen.

► **Abb.9:** 1. Kappe 2. Einstellschraube

## Karabiner (Seilbefestigungspunkt)

Sie können das Werkzeug aufhängen, indem Sie das Seil am Karabiner anbringen. Ziehen Sie den Karabiner hoch, und binden Sie ihn dann mit dem Seil fest.

► **Abb.10:** 1. Karabiner

## Krallenschlag

Dieses Werkzeug ist standardmäßig mit einem Krallenschlag ausgestattet. Wenden Sie sich bezüglich eines Austauschs des Krallenschlags an ein autorisiertes Makita-Servicecenter. Bringen Sie den Krallenschlag zum Durchführen eines Schneidvorgangs mit dem Stamm in Eingriff, und verwenden Sie ihn als Hebel.

## Elektronikfunktionen

Das Werkzeug ist für komfortablen Betrieb mit Elektronikfunktionen ausgestattet.

- Konstantdrehzahlregelung  
Die Drehzahlregelung liefert eine konstante Drehzahl ungeachtet der Lastbedingungen.

## MONTAGE

**⚠VORSICHT:** Vergewissern Sie sich vor der Ausführung von Arbeiten am Werkzeug stets, dass das Werkzeug ausgeschaltet und der Akku abgenommen ist.

**⚠VORSICHT:** Berühren Sie die Sägekette nicht mit bloßen Händen. Tragen Sie stets Handschuhe bei der Handhabung der Sägekette.

## Demontieren oder Montieren der Sägekette

## Überprüfen der Auslaufbremse

**⚠VORSICHT:** Sägekette und Schwert sind unmittelbar nach dem Betrieb noch heiß. Lassen Sie die Teile ausreichend abkühlen, bevor Sie irgendwelche Arbeiten am Werkzeug ausführen.

**⚠VORSICHT:** Führen Sie die Montage oder Demontage der Sägekette an einem sauberen Ort aus, der frei von Sägemehl und dergleichen ist.

Zum Abnehmen der Sägekette müssen die folgenden Schritte ausgeführt werden:

1. Lösen Sie die Kettenbremse, indem Sie den vorderen Handschutz ziehen.
2. Lösen Sie die Ketten-Einstellschraube, dann die Sicherungsmutter.

► **Abb.11:** 1. Ketten-Einstellschraube  
2. Sicherungsmutter

3. Den Kettenraddeckel entfernen, und dann die Sägekette und das Schwert vom Kettensägen-Hauptteil abnehmen.

Zum Anbringen der Sägekette müssen die folgenden Schritte ausgeführt werden:

1. Überprüfen Sie die Laufrichtung der Sägekette.  
Passen Sie die Laufrichtung der Sägekette an die Richtung der Markierung am Kettensägegehäuse an.

2. Legen Sie ein Ende der Sägekette auf die Oberseite des Schwerts.
3. Legen Sie das andere Ende der Sägekette um das Kettenrad, und bringen Sie dann das Schwert am Kettensägegehäuse an, wobei Sie das Loch im Schwert auf den Stift am Kettensägegehäuse ausrichten.

► **Abb.12:** 1. Kettenrad 2. Loch

4. Führen Sie den Vorsprung und den Stift am Kettenraddeckel in das Kettensägegehäuse ein, und schließen Sie dann den Deckel, so dass die Schraube und der Stift am Kettensägegehäuse auf ihre Gegenstücke ausgerichtet sind.

► **Abb.13:** 1. Vorsprung 2. Kettenraddeckel  
3. Schraube 4. Stift

5. Ziehen Sie die Sicherungsmutter an, um den Kettenraddeckel zu sichern, und

lösen Sie sie dann  
ein wenig für die  
Spannungseinstellung. ► **Abb.14:**

### 1. Sicherungsmutter

► **Abb.17:** 1. Sicherungsmutter

## Einstellen der Sägekettenspannung

**⚠ VORSICHT:** Straffen Sie die Sägekette nicht zu sehr. Eine übermäßige hohe Spannung der Sägekette kann zu einem Bruch der Sägekette und Verschleiß des Schwerts führen.

**VORSICHT:** Eine zu lockere Kette kann vom Schwert springen und stellt somit eine Verletzungsgefahr dar.

Die Sägekette kann sich nach vielen Betriebsstunden lockern. Überprüfen Sie daher die Sägekettenspannung von Zeit zu Zeit vor dem Gebrauch.

1. Lösen Sie die Kettenbremse, indem Sie den vorderen Handschutz ziehen.

2. Lösen Sie die Sicherungsmutter ein wenig, um den Kettenraddeckel geringfügig zu lösen. ► **Abb.15:** 1. Sicherungsmutter

3. Heben Sie die Schwertschraube leicht an, und stellen Sie die Kettenspannung ein. Drehen Sie die KettenEinstellschraube zum Anziehen im Uhrzeigersinn, und zum Lösen entgegen dem Uhrzeigersinn.

### Für Kettenblatt 90PX und 91PX:

Straffen Sie die Sägekette, bis ihr unterer Abschnitt wie abgebildet in der Schwertschiene ruht. ► **Abb.16:** 1. Schwert 2. Sägekette

3. Ketten-Einstellschraube

### Für Kettenblatt 25AP:

Straffen Sie die Sägekette, so dass der Abstand zwischen der Mitte der Unterseite des Schwerts und der Sägekette ca. 1 mm bis 2 mm beträgt.

4. Das Schwert leicht festhalten, und den Kettenraddeckel festziehen.

### Für Kettenblatt 90PX und 91PX:

Sicherstellen, dass sich der untere Abschnitt der Sägekette nicht lockert.

### Für Kettenblatt 25AP:

Vergewissern Sie sich, dass der Abstand zwischen der Mitte der Unterseite des Schwerts und der Sägekette ca. 1 mm bis 2 mm beträgt.

5. Ziehen Sie die Sicherungsmutter an, um den Kettenraddeckel zu sichern.

## BETRIEB

### Schmierung

Die Sägekette wird während des Betriebs des Werkzeugs automatisch geschmiert. Überprüfen Sie die im Öltank verbleibende Ölmenge durch das Ölstand-Prüfenster. Zum Auffüllen des Öltanks legen Sie die Kettensäge auf ihre Seite, drücken Sie auf den Öltankverschluss, und entfernen Sie dann den Öltankverschluss. Die korrekte Ölmenge beträgt 200 ml. Vergewissern Sie sich nach dem Auffüllen des Öltanks, dass der Öltankverschluss sicher festgezogen ist.

► **Abb.18:** 1. Öltankverschluss 2. Ölstand-Prüfenster

Halten Sie die Kettensäge nach dem Auffüllen vom Baum abgewandt. Starten Sie die Säge, und warten Sie, bis eine angemessene Schmierung der Sägekette erreicht ist. ► **Abb.19**

**ANMERKUNG:** Wenn Sie das Kettenöl zum ersten Mal einfüllen oder den völlig leeren Öltank auffüllen, füllen Sie Öl bis zur Unterkante des Einfüllstutzens ein. Anderenfalls kann die Ölzuführung beeinträchtigt werden.

**ANMERKUNG:** Verwenden Sie exklusives Sägekettenöl für Makita-Kettensägen oder auf dem Markt erhältliches gleichwertiges Öl.

**ANMERKUNG:** Verwenden Sie keinesfalls Öl, das Staub und Fremdkörper enthält, oder leichtflüchtiges Öl.

**ANMERKUNG:** Verwenden Sie zum Beschneiden von Bäumen botanisches Öl. Mineralöl kann Bäume schädigen.

**ANMERKUNG:** Vergewissern Sie sich vor der Schneidarbeit, dass der mitgelieferte Öltankverschluss angebracht ist.

## ARBEITEN MIT DER KETTENSÄGE

**⚠ VORSICHT:** Führen Sie die Kettensäge so, dass sich kein Körperteil im verlängerten Schwenkbereich der Sägekette befindet.

**⚠ VORSICHT:** Bei jeder Arbeit ist die Kettensäge mit beiden Händen festzuhalten, nur so kann sie jederzeit sicher geführt werden.

**⚠ VORSICHT:** Beugen Sie sich beim Betrieb nicht zu weit vor. Achten Sie bei der Arbeit stets auf sicheren Stand.

**ANMERKUNG:** Hinwerfen oder Fallenlassen des Werkzeugs sind unbedingt zu vermeiden.

**ANMERKUNG:** Verdecken Sie nicht die Lüftungsöffnungen des Werkzeugs.

## Stutzen von Bäumen

Bringen Sie das Kettensägegehäuse vor dem Einschalten mit dem zu schneidenden Ast in Berührung. Anderenfalls kann das Schwert ins Flattern geraten, was zu einer Verletzung der Bedienungsperson kann. Sägen Sie das zu schneidende Holz, indem Sie die Kettensäge durch ihr Eigengewicht sinken lassen. ► **Abb.20**

Wenn das Holz nicht in einem Arbeitsgang gesägt werden kann:

Üben Sie leichten Druck auf den Handgriff aus, während Sie den Sägebetrieb fortsetzen und die Kettensäge ein wenig zurückziehen.

► **Abb.21**

Um dicke Äste zu schneiden, machen Sie zuerst einen flachen Unterschnitt und dann den Endschnitt von oben. ► **Abb.22**

Falls Sie versuchen, dicke Äste von unten abzuschneiden, kann sich der Ast senken und die Sägekette im Schnitt einklemmen. Falls Sie versuchen, dicke Äste ohne flachen Unterschnitt von oben abzuschneiden, kann der Ast splintern. ► **Abb.23**

## Tragen des Werkzeugs

Ziehen Sie vor dem Tragen des Werkzeugs immer die Kettenbremse an, und nehmen Sie die Akkus vom Werkzeug ab. Bringen Sie dann die Schwertschutzhülle an. Decken Sie außerdem den Akku mit der Akkuabdeckung ab.

► **Abb.24:** 1. Schwertschutzhülle

2. Akkuabdeckung

## WARTUNG

**⚠ VORSICHT:** Vergewissern Sie sich vor der Durchführung von Inspektions- oder Wartungsarbeiten stets, dass das Werkzeug ausgeschaltet und der Akku abgenommen ist.

**⚠ VORSICHT:** Tragen Sie beim Ausführen von Überprüfungs- und Instandhaltungsarbeiten unbedingt Arbeitshandschuhe.

**ANMERKUNG:** Verwenden Sie auf keinen Fall Benzin, Waschbenzin, Verdünnern, Alkohol oder dergleichen. Solche Mittel können Verfärbung, Verformung oder Rissbildung verursachen.

Um die SICHERHEIT und ZUVERLÄSSIGKEIT dieses Produkts zu gewährleisten, sollten Reparaturen und andere Wartungs- oder Einstellarbeiten nur von Makita-Vertragswerkstätten oder Makita-Kundendienstzentren unter ausschließlicher Verwendung von Makita-Originalersatzteilen ausgeführt werden.

## Schärfen der Sägekette

**Schärfen Sie die Sägekette, wenn:**

- beim Schneiden von feuchtem Holz mehliges Sägemehl erzeugt wird;
- die Kette selbst bei Ausübung starken Drucks nur schwach in das Holz eindringt;
- die Schneidzahnkante sichtbar beschädigt ist;
- die Säge im Holz nach links oder rechts zieht. (Der Grund für dieses Verhalten ist ungleichmäßige Schärfung der Sägekette, oder einseitige Beschädigung.)

Schärfen Sie die Sägekette häufig, aber tragen Sie jedes Mal nur wenig Material ab. Zwei bis drei Hiebe mit einer Feile sind gewöhnlich für eine routinemäßige Nachschärfung ausreichend. Wenn die Sägekette mehrmals nachgeschärft worden ist, lassen Sie sie in unserem autorisierten Service-Center schärfen.

**Schärfungskriterien:**

**⚠ WARNUNG:** Ein übermäßig großer Abstand zwischen der Schneidzahnkante und dem Tiefenbegrenzer erhöht die Rückschlaggefahr.

- **Abb.25:** 1. Schneidzahnlänge  
2. Abstand zwischen Schneidzahnkante und Tiefenbegrenzer  
3. Minimale Schneidzahnlänge (3 mm)

- Alle Schneidzahn­längen müssen gleich sein. Unterschiedliche Schneidzahn­längen verhindern reibungslosen Lauf der Sägekette und Bruch der Sägekette verursachen.
- Schärfen Sie die Kette nicht weiter, wenn eine Schneidzahn­länge von 3 mm oder weniger erreicht ist. Die Kette muss durch eine neue ersetzt werden.
- Die Spandicke wird durch den Abstand zwischen dem Tiefenbegrenzer (runde Nase) und der Schneidzahn­kante bestimmt.
- Die besten Schneid­er­geb­nis­se werden mit folgendem Abstand zwischen Schneidzahn­kante und Tiefenbegrenzer erzielt.

- Kettenblatt 90PX: 0,65 mm
- Kettenblatt 91PX: 0,65 mm
- Kettenblatt 25AP: 0,65 mm

► **Abb.26**

- Der Schärfungswinkel von 30° muss bei allen Schneidgliedern gleich sein. Unterschiedliche Schneidgliedwinkel verursachen rauhen und ungleichmäßigen Kettenlauf, beschleunigen den Verschleiß und führen zu Kettenbruch.
- Verwenden Sie eine geeignete Rundfeile, so dass der korrekte Schärfungswinkel zu den Zähnen eingehalten wird.
- Kettenblatt 90PX: 55°
- Kettenblatt 91PX: 55°
- Kettenblatt 25AP: 55°

**Feile und Feilenführung**

- Verwenden Sie eine spezielle Rundfeile (Sonderzubehör) für Sägeketten zum Schärfen der Kette. Normale Rundfeilen sind ungeeignet.
  - Der Durchmesser der Rundfeile für die jeweilige Sägekette ist wie folgt:
    - Kettenblatt 90PX: 4,5 mm
    - Kettenblatt 91PX: 4,0 mm
    - Kettenblatt 25AP: 4,0 mm
  - Nur beim Vorwärtshub der Feile sollte Material abgetragen werden. Heben Sie die Feile beim Rückwärtshub vom Schneidglied ab.
  - Schärfen Sie das kürzeste Schneidglied zuerst. Die Länge dieses kürzesten Schneidglieds dient dann als Sollmaß für alle übrigen Schneidglieder der Sägekette.
  - Führen Sie die Feile in der Abbildung gezeigt.
- **Abb.27:** 1. Feile 2. Sägekette

- Die Feile kann leichter geführt werden, wenn ein Feilenhalter (Sonderzubehör) verwendet wird. Der Feilenhalter weist Markierungen für den korrekten Schärfungswinkel von 30° auf (die Markierungen parallel zur Sägekette ausrichten) und begrenzt die Eindringtiefe (auf 4/5 des Feilendurchmessers).

► **Abb.28:** 1. Feilenhalter

- Überprüfen Sie Sie nach dem Schärfen der Kette die Höhe des Tiefenbegrenzers mithilfe der Kettenmesslehre (Sonderzubehör).

► **Abb.29**

- Entfernen Sie etwaige Rauigkeiten, wie klein auch immer, mit einer speziellen Flachfeile (Sonderzubehör).
- Runden Sie die Vorderkante des Tiefenbegrenzers erneut ab.

**Reinigen des Schwerts**

Späne und Sägemehl sammeln sich in der Führungsnut des Schwerts an. Der Führungsnut des Schwerts wird dadurch zugesetzt und der Ölfluss wird behindert. Entfernen Sie Späne und Sägemehl jedes Mal, wenn Sie die Sägekette schärfen oder auswechseln.

► **Abb.30**

**Reinigen des Kettenraddeckels**

Späne und Sägemehl sammeln sich im Kettenraddeckel an. Entfernen Sie den Kettenraddeckel und die Sägekette vom Werkzeug, und beseitigen Sie dann Späne und Sägemehl.

► **Abb.31**

**Reinigen der Ölauslassöffnung**

Kleine Staubpartikel oder Fremdkörper können sich während des Betriebs in der Ölauslassöffnung ansammeln. Diese können den Ölfluss behindern und unzureichende Schmierung auf der ganzen Sägekette verursachen. Wenn schlechte Ölzufuhr an der Oberseite des Schwerts auftritt, reinigen Sie die Ölauslassöffnung wie folgt.

1. Entfernen Sie den Kettenraddeckel und die Sägekette vom Werkzeug.
2. Entfernen Sie kleine Staubkörner oder Partikel

mit einem Schlitzschraubendreher oder dergleichen.

- **Abb.32:** 1. Schlitzschraubendreher  
2. Ölauslassöffnung

3. Setzen Sie den Akku in das Werkzeug ein. Betätigen Sie den Auslöseschalter, um abgelagerte Staubpartikel oder Fremdkörper durch Ablassen des Kettenöls aus der Ölauslassöffnung auszuschwemmen.

4. Nehmen Sie den Akku vom Werkzeug ab. Montieren Sie den Kettenraddeckel und die Sägekette wieder am Werkzeug.

## Auswechseln des Kettenrads

**⚠ VORSICHT:** Ein verschlissenes Kettenrad beschädigt eine neue Sägekette. Wechseln Sie in diesem Fall das Kettenrad aus.

Bevor Sie eine neue Sägekette anbringen, überprüfen Sie den Zustand des Kettenrads.

## ► **Abb.33:** 1. Kettenrad 2.

Abnutzungsbereiche

Bringen Sie beim Auswechseln des Kettenrads stets einen neuen Sicherungsring an. ►

**Abb.34:** 1. Sicherungsring 2. Kettenrad

**ANMERKUNG:** Vergewissern Sie sich, dass das Kettenrad so montiert wird, wie in der Abbildung gezeigt.

## Lagern des Werkzeugs

- Reinigen Sie das Werkzeug vor der Lagerung. Entfernen Sie etwaige Späne und Sägemehl vom Werkzeug, nachdem Sie den Kettenraddeckel abmontiert haben.
- Lassen Sie das Werkzeug nach der Reinigung unter Nulllast laufen, um die Sägekette und das Schwert zu schmieren.
- Schützen Sie das Schwert mit der Schwertschutzhülle.
- Entleeren Sie den Öltank.

## Anweisungen für regelmäßige Wartung

Um eine lange Lebensdauer zu gewährleisten, Schäden zu verhüten und die volle Funktion der Sicherheitseinrichtungen regelmäßig durchgeführt werden. Garantiensprüche werden wenn diese Arbeiten regelmäßig und ordnungsgemäß ausgeführt werden. Eine Vernachlässigung der vorgeschriebenen Wartungsarbeiten kann zu Unfällen führen! Der Benutzer der Kettensäge darf nur Wartungsarbeiten durchführen, die in dieser Bedienungsanleitung beschrieben sind. Darüber hinausgehende Arbeiten müssen von unserem autorisierten Service-Center ausgeführt werden.

Prüfpunkt/Betriebszeit		Vor dem Betrieb	Täglich	Wöchentlich	Alle 3 Monate	Jährlich	Vor der Lagerung
Kettensäge	Überprüfung.	✓	-	-	-	-	-
	Reinigung.	-	✓	-	-	-	-
	Von autorisiertem ServiceCenter prüfen lassen.	-	-	-	-	✓	✓
Sägekette	Überprüfung.	✓	-	-	-	-	-
	Nötigenfalls schärfen.	-	-	-	-	-	✓
Schwert	Überprüfung.	✓	✓	-	-	-	-
	Von der Kettensäge abnehmen.	-	-	-	-	-	✓
Kettenbremse	Funktion überprüfen.	✓	-	-	-	-	-

	Regelmäßig von autorisiertem ServiceCenter überprüfen lassen.	-	-	-	✓	-	-
Kettenschmierung	Ölfördermenge überprüfen.	✓	-	-	-	-	-
Auslöseschalter	Überprüfung.	✓	-	-	-	-	-
Einschaltsperrhebel	Überprüfung.	✓	-	-	-	-	-
Öltankverschluss	Festigkeit überprüfen.	✓	-	-	-	-	-
Kettenfänger	Überprüfung.	-	-	✓	-	-	-
Schrauben und Muttern	Überprüfung.	-	-	✓	-	-	-

## FEHLERSUCHE

Bevor Sie den Reparaturdienst anrufen, führen Sie zunächst Ihre eigene Inspektion durch. Falls Sie ein Problem finden, das nicht in der Anleitung erläutert wird, versuchen Sie nicht, das Werkzeug zu zerlegen. Wenden Sie sich stattdessen an autorisierte Makita-Kundendienstzentren, und achten Sie darauf, dass stets Makita-Ersatzteile für Reparaturen verwendet werden.

Störungszustand	Ursache	Abhilfemaßnahme
Die Kettensäge läuft nicht an.	Der Akku ist nicht eingesetzt.	Setzen Sie einen geladenen Akku ein.
	Akkustörung (niedrige Spannung).	Laden Sie die Akkus auf. Falls Laden unwirksam ist, tauschen Sie den Akku aus.
	Hauptbetriebsschalter ist ausgeschaltet.	Die Kettensäge schaltet sich automatisch aus, wenn sie eine bestimmte Zeitlang unbenutzt bleibt. Schalten Sie den Hauptbetriebsschalter wieder ein.
Die Sägekette läuft nicht.	Kettenbremse aktiviert.	Kettenbremse lösen.
Der Motor bleibt nach kurzer Zeit stehen.	Der Ladestand des Akkus ist niedrig.	Laden Sie die Akkus auf. Falls Laden unwirksam ist, tauschen Sie den Akku aus.
Kein Öl auf der Kette.	Der Öltank ist leer.	Öltank füllen.
	Die Ölführungsnut ist verschmutzt.	Nut reinigen.
	Schlechte Ölförderung.	Stellen Sie die Ölfördermenge mit der Einstellschraube ein.

Die Kettensäge erreicht die Maximaldrehzahl nicht.	Der Akku ist falsch eingesetzt.	Setzen Sie die Akkus gemäß der Beschreibung in dieser Anleitung ein.
	Die Akkuleistung lässt nach.	Laden Sie den Akku auf. Falls Laden unwirksam ist, tauschen Sie den Akku aus.
	Das Antriebssystem funktioniert nicht korrekt.	Wenden Sie sich bezüglich einer Reparatur an ein autorisiertes Service-Center in Ihrer Region.
Die Hauptbetriebslampe blinkt in Grün.	Der Auslöseschalter wird unter einer betriebsunfähigen Bedingung betätigt.	Betätigen Sie den Auslöseschalter erst, nachdem Sie den Hauptbetriebsschalter eingeschaltet und die Kettenbremse gelöst haben.
Die Kette bleibt trotz Aktivierung der Kettenbremse nicht stehen: <b>Die Maschine unverzüglich stoppen!</b>	Das Bremsband ist abgenutzt.	Wenden Sie sich bezüglich einer Reparatur an ein autorisiertes Service-Center in Ihrer Region.
Ungewöhnliche Vibration: <b>Die Maschine unverzüglich stoppen!</b>	Schwert oder Sägekette ist locker.	Schwert und Sägekettenspannung einstellen.
	Fehlfunktion des Werkzeugs.	Wenden Sie sich bezüglich einer Reparatur an ein autorisiertes Service-Center in Ihrer Region.
Der Drehmoment-Verstärkungsmodus ist nicht verfügbar, nachdem der Akku durch einen voll aufgeladenen ersetzt worden ist.	Abhängig von den Benutzungsbedingungen der Verstärkungsmodus ist dem Austausch des Akkus nicht verfügbar.	Benutzen Sie das Werkzeug im Normalmodus, bis der eingesetzte Akku leer wird, und ersetzen Sie dann den Akku durch einen voll aufgeladenen, oder laden Sie den Akku auf.
Die Sägekette kann nicht montiert werden.	Die Kombination von Sägekette und Kettenrad ist nicht korrekt.	Verwenden Sie die korrekte Kombination von Sägekette und Kettenrad, indem Sie den Abschnitt für Spezifikationen Bezug nehmen.

## SONDERZUBEHÖR

**⚠ VORSICHT:** Die folgenden Zubehörteile oder Vorrichtungen werden für den Einsatz mit dem in dieser

**Anleitung beschriebenen Makita-Werkzeug empfohlen.** Die Verwendung anderer Zubehörteile oder Vorrichtungen kann eine Verletzungsgefahr darstellen. Verwenden Sie Zubehörteile oder Vorrichtungen nur für ihren vorgesehenen Zweck.

Wenn Sie weitere Einzelheiten bezüglich dieser Zubehörteile benötigen, wenden Sie sich bitte an Ihre Makita-Kundendienststelle.

- Sägekette
- Schwert
- Schwertschutzhülle
- Kettenrad
- Feile
- Original-Makita-Akku und -Ladegerät

**⚠ WARNUNG:** Wenn Sie ein Schwert kaufen, dessen Länge von der des Standardschwerts abweicht, kaufen Sie gleichzeitig auch eine passende Schwertschutzhülle. Die Schwertschutzhülle muss passen und das Schwert an der Kettensäge vollständig abdecken.

**HINWEIS:** Manche Teile in der Liste können als Standardzubehör im Werkzeugsatz enthalten sein. Sie können von Land zu Land unterschiedlich sein.

114 115 **Makita Europe N.V.** Jan-Baptist Vinkstraat 2,  
3070 Kortenberg, Belgium

**Makita Corporation** 3-11-8, Sumiyoshi-cho,



Anjo, Aichi 446-8502 Japan

EN, PL, HU, SK,  
CS, UK, RO, DE  
20190827

[www.makita.com](http://www.makita.com)