

Host-controlled Multi-chemistry Battery Charger with System Power Selector, AC Over-Power Protection, and Programmable OVP

FEATURES

- **NMOS-NMOS Synchronous Buck Converter with 300 kHz Frequency and >95% Efficiency**
- **30-ns Minimum Driver Dead-time and 99.5% Maximum Effective Duty Cycle**
- **High-Accuracy Voltage and Current Regulation**
 - $\pm 0.5\%$ Charge Voltage Accuracy
 - $\pm 3\%$ Charge Current Accuracy
 - $\pm 3\%$ Adapter Current Accuracy
 - $\pm 2\%$ Input Current Sense Amp Accuracy
- **Integration**
 - Automatic System Power Selection From AC/DC Adapter or Battery
 - Internal Loop Compensation
 - Internal Soft Start
- **Safety**
 - Programmable Input Overvoltage Protection (OVP)
 - Dynamic Power Management (DPM) with Status Indicator
 - Programmable Inrush Adapter Power (ACOP) and Overcurrent (ACOC) Limits
 - Reverse-Conduction Protection Input FET
- **Supports Two, Three, or Four Li+ Cells**
- **5 – 24 V AC/DC-Adapter Operating Range**
- **Analog Inputs with Ratiometric Programming via Resistors or DAC/GPIO Host Control**
 - Charge Voltage (4-4.512 V/cell)
 - Charge Current (up to 10 A, with 10-m Ω sense resistor)
 - Adapter Current Limit (DPM)
- **Status and Monitoring Outputs**
 - AC/DC Adapter Present with Programmable Voltage Threshold
 - Current Drawn from Input Source
- **Battery Learn Cycle Control**
- **Supports Any Battery Chemistry: Li+, NiCd, NiMH, Lead Acid, etc.**
- **Charge Enable**

- **10- μ A Off-State Current**
- **28-pin, 5x5-mm QFN package**

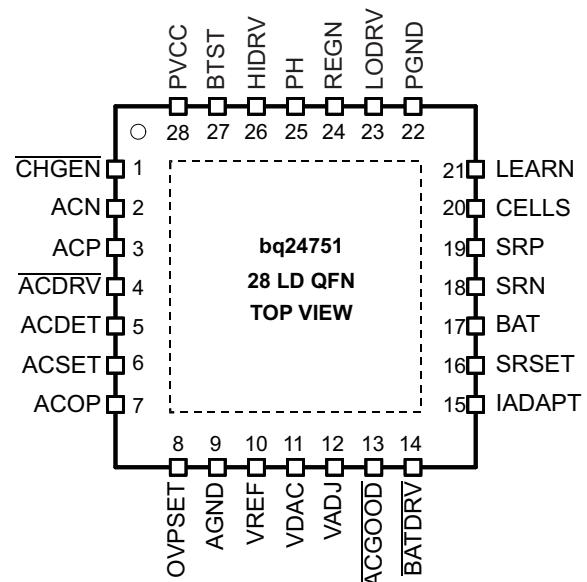
APPLICATIONS

- **Notebook and Ultra-Mobile Computers**
- **Portable Data Capture Terminals**
- **Portable Printers**
- **Medical Diagnostics Equipment**
- **Battery Bay Chargers**
- **Battery Back-up Systems**

DESCRIPTION

The bq24751 is a high-efficiency, synchronous battery charger with integrated compensation and system power selector logic, offering low component count for space-constrained multi-chemistry battery charging applications. Ratiometric charge current and voltage programming allows very high regulation accuracies, and can be either hardwired with resistors or programmed by the system power-management microcontroller using a DAC or GPIOs.

The bq24751 charges two, three, or four series Li+ cells, supporting up to 10 A of charge current, and is available in a 28-pin, 5x5-mm thin QFN package.



Please be aware that an important notice concerning availability, standard warranty, and use in critical applications of Texas Instruments semiconductor products and disclaimers thereto appears at the end of this data sheet.



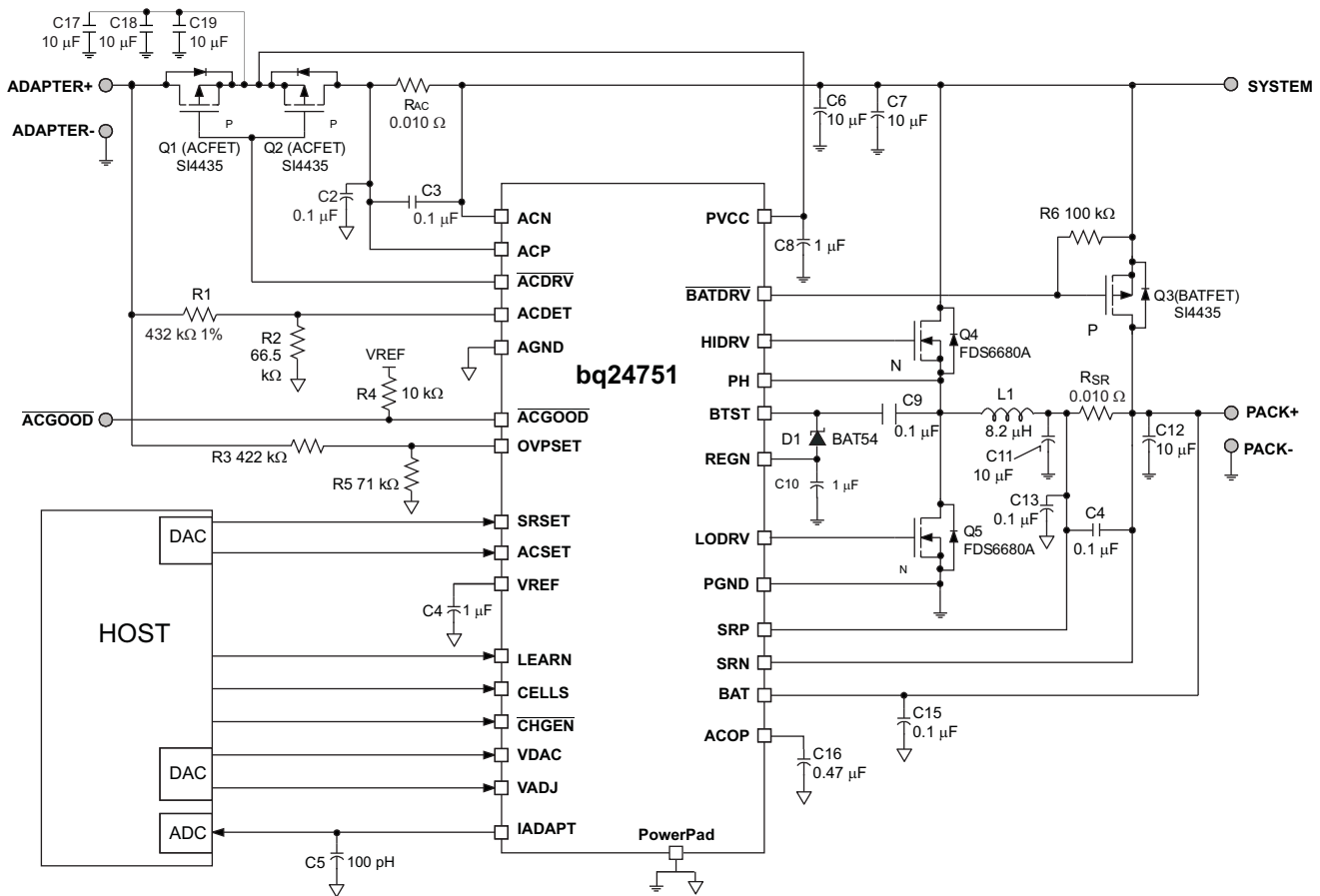
These devices have limited built-in ESD protection. The leads should be shorted together or the device placed in conductive foam during storage or handling to prevent electrostatic damage to the MOS gates.

DESCRIPTION (CONTINUED)

The bq24751 controls external switches to prevent battery discharge back to the input, connect the adapter to the system, and to connect the battery to the system using 6-V gate drives for better system efficiency. For maximum system safety, inrush-power limiting provides instantaneous response to high input voltage multiplied by current. This AC Over-Power protection (ACOP) feature limits the input-switch power to the programmed level on the ACOP pin, and latches off if the high-power condition persists to prevent overheating.

The bq24751 features Dynamic Power Management (DPM) and input power limiting. These features reduce battery charge current when the input power limit is reached to avoid overloading the AC adapter when supplying the load and the battery charger simultaneously. A highly-accurate current-sense amplifier enables precise measurement of input current from the AC adapter to monitor the overall system power.

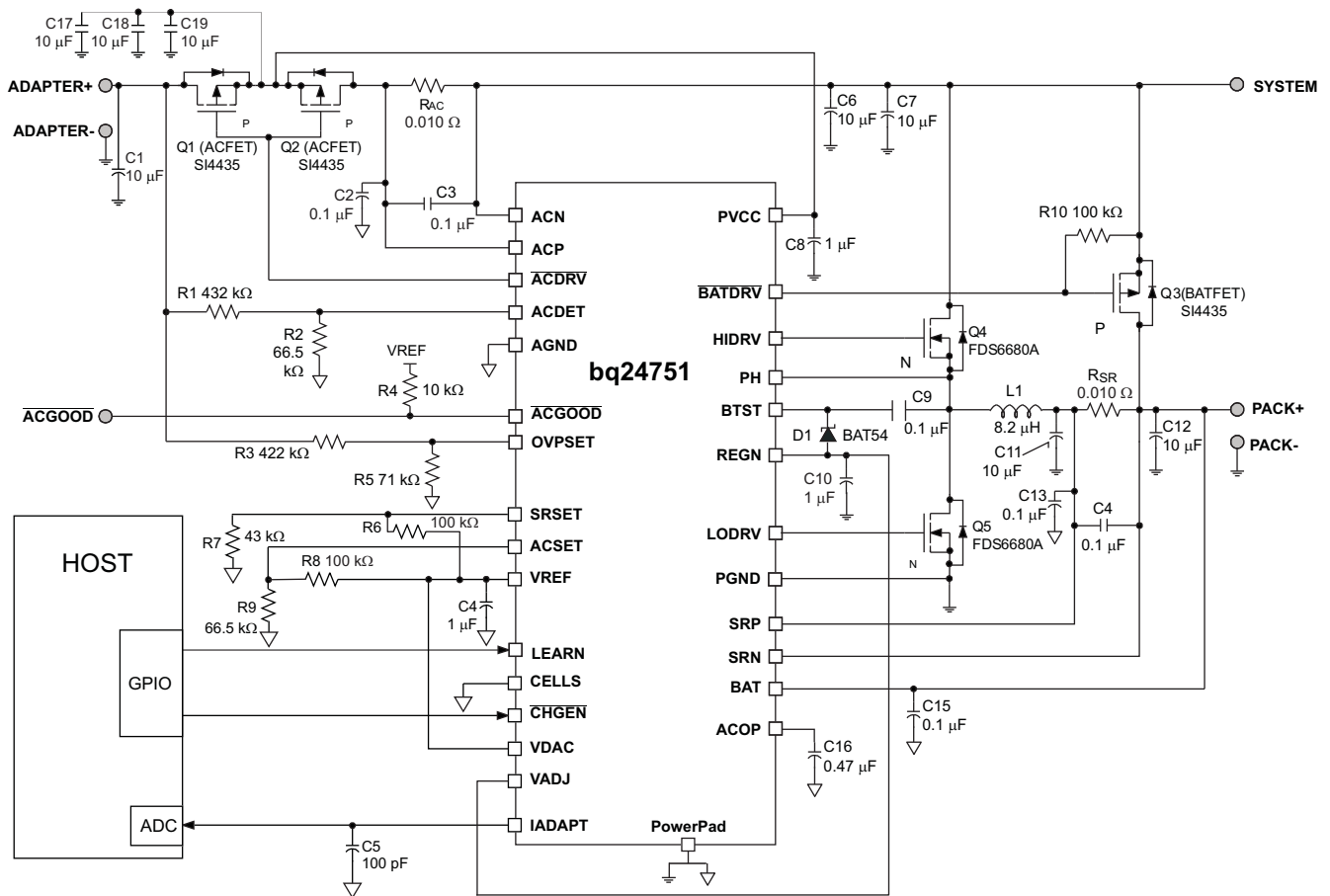
TYPICAL APPLICATION



- (1) Pull-up rail could be either VREF or other system rail .
- (2) SRSET/ACSET could come from either DAC or resistor dividers .

$$V_{IN} = 20 \text{ V}, V_{BAT} = 3\text{-cell Li-Ion}, I_{charge} = 3 \text{ A}, I_{adapter_limit} = 4 \text{ A}$$

Figure 1. Typical System Schematic, Voltage and Current Programmed by DAC



- (1) Pull-up rail could be either VREF or other system rail .
 (2) SRSET/ACSET could come from either DAC or resistor dividers .

$$V_{IN} = 20 \text{ V}, V_{BAT} = 3\text{-cell Li-Ion}, I_{charge} = 3 \text{ A}, I_{adapter_limit} = 4 \text{ A}$$

Figure 2. Typical System Schematic, Voltage and Current Programmed by Resistor

ORDERING INFORMATION

| Part number | Package | Ordering Number (Tape and Reel) | Quantity |
|-------------|---------------------|---------------------------------|----------|
| bq24751 | 28-PIN 5 x 5 mm QFN | bq24751RHDR | 3000 |
| | | bq24751RHDT | 250 |

PACKAGE THERMAL DATA

| PACKAGE | θ_{JA} | $T_A = 70^\circ\text{C}$ POWER RATING | DERATING FACTOR ABOVE $T_A = 25^\circ\text{C}$ |
|-----------------------------|---------------|---------------------------------------|--|
| QFN – RHD ⁽¹⁾⁽²⁾ | 39°C/W | 2.36 W | 0.028 W/°C |

- (1) For the most current package and ordering information, see the Package Option Addendum at the end of this document, or see the TI Web site at www.ti.com.
 (2) This data is based on using the JEDEC High-K board and the exposed die pad is connected to a Cu pad on the board. This is connected to the ground plane by a 2x3 via matrix.

Table 1. TERMINAL FUNCTIONS – 28-PIN QFN

| TERMINAL | | DESCRIPTION |
|----------------------------|-----|---|
| NAME | NO. | |
| CHGEN | 1 | Charge enable active-low logic input. LO enables charge. HI disables charge. |
| ACN | 2 | Adapter current sense resistor, negative input. An optional 0.1- μ F ceramic capacitor is placed from ACN pin to AGND for common-mode filtering. An optional 0.1- μ F ceramic capacitor is placed from ACN to ACP to provide differential-mode filtering. |
| ACP | 3 | Adapter current sense resistor, positive input. (See comments with ACN description) |
| $\overline{\text{ACDRV}}$ | 4 | AC adapter to system-switch driver output. Connect directly to the gate of the ACFET P-channel power MOSFET and the reverse conduction blocking P-channel power MOSFET. Connect both FETs as common-source. Connect the ACFET drain to the system-load side. The PVCC should be connected to the common-source node to ensure that the driver logic is always active when needed. If needed, an optional capacitor from gate to source of the ACFET is used to slow down the ON and OFF times. The internal gate drive is asymmetrical, allowing a quick turn-off and slower turn-on in addition to the internal break-before-make logic with respect to the BATDRV. The output goes into linear regulation mode when the input sensed current exceeds the ACOC threshold. $\overline{\text{ACDRV}}$ is latched off after ACOP voltage exceeds 2 V, to protect the charging system from an ACFET-overpower condition. |
| ACDET | 5 | Adapter detected voltage set input. Program the adapter detect threshold by connecting a resistor divider from adapter input to ACDET pin to AGND pin. Adapter voltage is detected if ACDET-pin voltage is greater than 2.4 V. The I _{ADAPT} current sense amplifier is active when the ACDET pin voltage is greater than 0.6 V. |
| ACSET | 6 | Adapter current set input. The voltage ratio of ACSET voltage versus VDAC voltage programs the input current regulation set-point during Dynamic Power Management (DPM). Program by connecting a resistor divider from VDAC to ACSET to AGND; or by connecting the output of an external DAC to the ACSET pin and connect the DAC supply to the VDAC pin. |
| ACOP | 7 | Input power limit set input. Program the input over-power time constant by placing a ceramic capacitor from ACOP to AGND. The capacitor sets the time that the input current limit, ACOC, can be sustained before exceeding the power-MOSFET power limit. When the ACOP voltage exceeds 2 V, then the $\overline{\text{ACDRV}}$ latches off to protect the charge system from an over-power condition, ACOP. Reset latch by toggling ACDET or PVCC_UVLO. |
| OVPSET | 8 | Set input over voltage protection threshold. Charge is disabled and $\overline{\text{ACDRV}}$ is turned off if adapter input voltage is higher than the OVPSET programmed threshold. Input overvoltage, ACOV, disables charge and $\overline{\text{ACDRV}}$ when OVPSET > 3.1 V. ACOV does not latch. Program the overvoltage protection threshold by connecting a resistor divider from adapter input to OVPSET pin to AGND pin. |
| AGND | 9 | Analog ground. On PCB layout, connect to the analog ground plane, and only connect to PGND through the power pad underneath the IC. |
| VREF | 10 | 3.3-V regulated voltage output. Place a 1- μ F ceramic capacitor from VREF to AGND pin close to the IC. This voltage could be used for ratiometric programming of voltage and current regulation. |
| VDAC | 11 | Charge voltage set reference input. Connect the VREF or external DAC voltage source to the VDAC pin. Battery voltage, charge current, and input current are programmed as a ratio of the VDAC pin voltage versus the VADJ, SRSET, and ACSET pin voltages, respectively. Place resistor dividers from VDAC to VADJ, SRSET, and ACSET pins to AGND for programming. A DAC could be used by connecting the DAC supply to VDAC and connecting the output to VADJ, SRSET, or ACSET. |
| VADJ | 12 | Charge voltage set input. The voltage ratio of VADJ voltage versus VDAC voltage programs the battery voltage regulation set-point. Program by connecting a resistor divider from VDAC to VADJ, to AGND; or, by connecting the output of an external DAC to VADJ, and connect the DAC supply to VDAC. VADJ connected to REGN programs the default of 4.2 V per cell. |
| $\overline{\text{ACGOOD}}$ | 13 | Valid adapter active-low detect logic open-drain output. Pulled low when Input voltage is above programmed ACDET. Connect a 10-k Ω pullup resistor from $\overline{\text{ACGOOD}}$ to VREF, or to a different pullup-supply rail. |
| $\overline{\text{BATDRV}}$ | 14 | Battery to system switch driver output. Gate drive for the battery to system load BAT PMOS power FET to isolate the system from the battery to prevent current flow from the system to the battery, while allowing a low impedance path from battery to system and while discharging the battery pack to the system load. Connect this pin directly to the gate of the input BAT P-channel power MOSFET. Connect the source of the FET to the system load voltage node. Connect the drain of the FET to the battery pack positive node. An optional capacitor is placed from the gate to the source to slow down the switching times. The internal gate drive is asymmetrical to allow a quick turn-off and slower turn-on, in addition to the internal break-before-make logic with respect to $\overline{\text{ACDRV}}$. |
| IADAPT | 15 | Adapter current sense amplifier output. IADAPT voltage is 20 times the differential voltage across ACP-ACN. Place a 100-pF or less ceramic decoupling capacitor from IADAPT to AGND. |
| SRSET | 16 | Charge current set input. The voltage ratio of SRSET voltage versus VDAC voltage programs the charge current regulation set-point. Program by connecting a resistor divider from VDAC to SRSET to AGND; or by connecting the output of an external DAC to SRSET pin and connect the DAC supply to VDAC pin. |
| BAT | 17 | Battery voltage remote sense. Directly connect a kelvin sense trace from the battery pack positive terminal to the BAT pin to accurately sense the battery pack voltage. Place a 0.1- μ F capacitor from BAT to AGND close to the IC to filter high-frequency noise. |

Table 1. TERMINAL FUNCTIONS – 28-PIN QFN (continued)

| TERMINAL | | DESCRIPTION |
|----------|-----|---|
| NAME | NO. | |
| SRN | 18 | Charge current sense resistor, negative input. An optional 0.1- μ F ceramic capacitor is placed from SRN pin to AGND for common-mode filtering. An optional 0.1- μ F ceramic capacitor is placed from SRN to SRP to provide differential-mode filtering. |
| SRP | 19 | Charge current sense resistor, positive input. (See comments for SRN.) |
| CELLS | 20 | 2, 3 or 4 cells selection logic input. Logic low programs 3 cell. Logic high programs 4 cell. Floating programs 2 cell. |
| LEARN | 21 | Learn mode logic input control pin — logic high to override system selector when adapter is present, the battery is discharged to recalibrate the battery-pack gas gauge. When adapter is present and LEARN is high, battery charging is disabled, the adapter is disconnected ($\overline{\text{ACDRV}}$ is off), and the battery is connected to system ($\overline{\text{BATDRV}}$ is on). Ssystem selector automatically switches to adapter if battery is discharged below LOWBAT (3 V). When adapter is present and LEARN is low, the adapter is connected to system in normal selector logic ($\overline{\text{ACDRV}}$ is on and $\overline{\text{BATDRV}}$ is off), allowing battery charging. If adapter is not present, the battery is always connected to the system ($\overline{\text{ACDRV}}$ is off and $\overline{\text{BATDRV}}$ is on). |
| PGND | 22 | Power ground. On PCB layout, connect directly to source of low-side power MOSFET, to ground connection of input and output capacitors of the charger. Only connect to AGND through the power pad underneath the IC. |
| LODRVV | 23 | PWM low side driver output. Connect to the gate of the low-side power MOSFET with a short trace. |
| REGN | 24 | PWM low side driver positive 6-V supply output. Connect a 1- μ F ceramic capacitor from REGN to PGND, close to the IC. Use for high-side driver bootstrap voltage by connecting a small-signal Schottky diode from REGN to BTST. |
| PH | 25 | PWM high side driver negative supply. Connect to the phase switching node (junction of the low-side power MOSFET drain, high-side power MOSFET source, and output inductor). Connect the 0.1- μ F bootstrap capacitor from from PH to BTST. |
| HIDRV | 26 | PWM high side driver output. Connect to the gate of the high-side power MOSFET with a short trace. |
| BTST | 27 | PWM high side driver positive supply. Connect a 0.1- μ F bootstrap ceramic capacitor from BTST to PH. Connect a small bootstrap Schottky diode from REGN to BTST. |
| PVCC | 28 | IC power positive supply. Connect to the common-source (diode-OR) point: source of high-side P-channel MOSFET and source of reverse-blocking power P-channel MOSFET. Place a 1- μ F ceramic capacitor from PVCC to PGND pin close to the IC. |

ABSOLUTE MAXIMUM RATINGS

over operating free-air temperature range (unless otherwise noted)⁽¹⁾⁽²⁾

| | | VALUE | UNIT |
|----------------------------|---|-------------|------|
| Voltage range | PVCC, ACP, ACN, SRP, SRN, BAT, $\overline{\text{BATDRV}}$, $\overline{\text{ACDRV}}$ | -0.3 to 30 | V |
| | PH | -1 to 30 | |
| | REGN, LODRV, VREF, VDAC, VADJ, ACSET, SRSET, ACDET, ACOP, CHGEN, CELLS, STAT, ACGOOD, LEARN, OVPSET | -0.3 to 7 | |
| | VREF, IADAPT | -0.3 to 3.6 | |
| | BTST, HIDRV with respect to AGND and PGND | -0.3 to 36 | |
| Maximum difference voltage | ACP-ACN, SRP-SRN, AGND-PGND | -0.5 to 0.5 | |
| Junction temperature range | | -40 to 155 | °C |
| Storage temperature range | | -55 to 155 | °C |

- (1) Stresses beyond those listed under *absolute maximum ratings* may cause permanent damage to the device. These are stress ratings only, and functional operation of the device at these or any other conditions beyond those indicated under *recommended operating conditions* is not implied. Exposure to absolute-maximum-rated conditions for extended periods may affect device reliability.
- (2) All voltages are with respect to GND if not specified. Currents are positive into, negative out of the specified terminal. Consult Packaging Section of the data book for thermal limitations and considerations of packages.

RECOMMENDED OPERATING CONDITIONS

over operating free-air temperature range (unless otherwise noted)

| | | MIN | NOM | MAX | UNIT |
|--|--|------|-----|-----|------|
| Voltage range | PH | -1 | | 24 | V |
| | PVCC, ACP, ACN, SRP, SRN, BAT, BATDRV, ACDRV | 0 | | 24 | V |
| | REGN, LODRV | 0 | | 6.5 | V |
| | VDAC, IADAPT | 0 | | 3.6 | |
| | VREF | | 3.3 | | |
| | ACSET, SRSET, TS, ACDET, ACOP, CHGEN, CELLS, ACGOOD, LEARN, OVPSET | 0 | | 5.5 | V |
| | VADJ | 0 | | 6.5 | |
| | BTST, HIDRV with respect to AGND and PGND | 0 | | 30 | V |
| | AGND, PGND | -0.3 | | 0.3 | V |
| Maximum difference voltage: ACP–ACN, SRP–SRN | | -0.3 | | 0.3 | V |
| Junction temperature range | | -40 | | 125 | °C |
| Storage temperature range | | -55 | | 150 | °C |

PACKAGE THERMAL DATA

| PACKAGE | θ_{JA} | $T_A = 70^\circ\text{C}$ POWER RATING | DERATING FACTOR ABOVE $T_A = 25^\circ\text{C}$ |
|--------------------------|---------------|---------------------------------------|--|
| QFN – RHD ⁽¹⁾ | 39°C/W | 2.36 W | 0.028 W/°C |

(1) This data is based on using the JEDEC High-K board and the exposed die pad is connected to a Cu pad on the board. This is connected to the ground plane by a 2x3 via matrix.

ELECTRICAL CHARACTERISTICS

$7.0\text{ V} \leq V_{PVCC} \leq 24\text{ V}$, $0^\circ\text{C} < T_J < +125^\circ\text{C}$, typical values are at $T_A = 25^\circ\text{C}$, with respect to AGND (unless otherwise noted)

| PARAMETER | | TEST CONDITIONS | MIN | TYP | MAX | UNIT |
|----------------------------------|--|---|------|-----|--------|------|
| OPERATING CONDITIONS | | | | | | |
| V_{PVCC_OP} | PVCC Input voltage operating range | | 5.0 | | 24.0 | V |
| CHARGE VOLTAGE REGULATION | | | | | | |
| $V_{BAT_REG_RNG}$ | BAT voltage regulation range | 4-4.512 V per cell, times 2,3,4 cells | 8 | | 18.048 | V |
| V_{VDAC_OP} | VDAC reference voltage range | | 2.6 | | 3.6 | V |
| V_{ADJ_OP} | VADJ voltage range | | 0 | | REGN | V |
| | Charge voltage regulation accuracy | 8 V, 8.4 V, 9.024 V | -0.5 | | 0.5 | % |
| | | 12 V, 12.6 V, 13.536 V | -0.5 | | 0.5 | |
| | | 16 V, 16.8 V, 18.048 V | -0.5 | | 0.5 | |
| | Charge voltage regulation set to default to 4.2 V per cell | VADJ connected to REGN, 8.4 V, 12.6 V, 16.8 V | -0.5 | | 0.5 | % |
| CHARGE CURRENT REGULATION | | | | | | |
| V_{IREG_CHG} | Charge current regulation differential voltage range | $V_{IREG_CHG} = V_{SRP} - V_{SRN}$ | 0 | | 100 | mV |
| V_{SRSET_OP} | SRSET voltage range | | 0 | | VDAC | V |
| | Charge current regulation accuracy | $V_{IREG_CHG} = 40\text{--}100\text{ mV}$ | -3 | | 3 | % |
| | | $V_{IREG_CHG} = 20\text{ mV}$ | -5 | | 5 | |
| | | $V_{IREG_CHG} = 5\text{ mV}$ | -25 | | 25 | |
| | | $V_{IREG_CHG} = 1.5\text{ mV}$ | -33 | | 33 | |

ELECTRICAL CHARACTERISTICS (continued)

7.0 V ≤ V_{PVCC} ≤ 24 V, 0°C < T_J < +125°C, typical values are at T_A = 25°C, with respect to AGND (unless otherwise noted)

| PARAMETER | | TEST CONDITIONS | MIN | TYP | MAX | UNIT |
|---|---|--|-------|------|-------|------|
| INPUT CURRENT REGULATION | | | | | | |
| V _{I_{REG_DPM}} | Adapter current regulation differential voltage range | V _{I_{REG_DPM}} = V _{ACP} - V _{ACN} | 0 | | 100 | mV |
| V _{ACSET_OP} | ACSET voltage range | | 0 | | VDAC | V |
| | Input current regulation accuracy | V _{I_{REG_DPM}} = 40–100 mV | -3 | | 3 | % |
| | | V _{I_{REG_DPM}} = 20 mV | -5 | | 5 | |
| | | V _{I_{REG_DPM}} = 5 mV | -25 | | 25 | |
| | | V _{I_{REG_DPM}} = 1.5 mV | -33 | | 33 | |
| VREF REGULATOR | | | | | | |
| V _{VREF_REG} | VREF regulator voltage | V _{ACDET} > 0.6 V, 0-30 mA | 3.267 | 3.3 | 3.333 | V |
| I _{VREF_LIM} | VREF current limit | V _{VREF} = 0 V, V _{ACDET} > 0.6 V | 35 | | 75 | mA |
| REGN REGULATOR | | | | | | |
| V _{REGN_REG} | REGN regulator voltage | V _{ACDET} > 0.6 V, 0-75 mA, PVCC > 10 V | 5.6 | 5.9 | 6.2 | V |
| I _{REGN_LIM} | REGN current limit | V _{REGN} = 0 V, V _{ACDET} > 0.6 V | 90 | | 135 | mA |
| ADAPTER CURRENT SENSE AMPLIFIER | | | | | | |
| V _{ACP/N_OP} | Input common mode range | Voltage on ACP/ACN | 0 | | 24 | V |
| V _{IADAPT} | IADAPT output voltage range | | 0 | | 2 | |
| I _{IADAPT} | IADAPT output current | | 0 | | 1 | mA |
| A _{IADAPT} | Current sense amplifier voltage gain | A _{IADAPT} = V _{IADAPT} / V _{I_{REG_DPM}} | | 20 | | V/V |
| | Adapter current sense accuracy | V _{I_{REG_DPM}} = 40–100 mV | -2 | | 2 | % |
| | | V _{I_{REG_DPM}} = 20 mV | -3 | | 3 | |
| | | V _{I_{REG_DPM}} = 5 mV | -25 | | 25 | |
| | | V _{I_{REG_DPM}} = 1.5 mV | -33 | | 33 | |
| I _{IADAPT_LIM} | Output current limit | V _{IADAPT} = 0 V | 1 | | | mA |
| C _{IADAPT_MAX} | Maximum output load capacitance | For stability with 0 mA to 1 mA load | | | 100 | pF |
| ACDET COMPARATOR | | | | | | |
| V _{ACDET_CHG} | ACDET adapter-detect rising threshold | Min voltage to enable charging, V _{ACDET} rising | 2.376 | 2.40 | 2.424 | V |
| V _{ACDET_CHG_HYS} | ACDET falling hysteresis | V _{ACDET} falling | | 40 | | mV |
| | ACDET rising deglitch | V _{ACDET} rising | 518 | 700 | 908 | ms |
| | ACDET falling deglitch | V _{ACDET} falling | | 10 | | µs |
| V _{ACDET_BIAS} | ACDET enable-bias rising threshold | Min voltage to enable all bias, V _{ACDET} rising | 0.56 | 0.62 | 0.68 | V |
| V _{ACDET_BIAS_HYS} | Adapter present falling hysteresis | V _{ACDET} falling | | 20 | | mV |
| | ACDET rising deglitch | V _{ACDET} rising | | 10 | | µs |
| | ACDET falling deglitch | V _{ACDET} falling | | 10 | | µs |
| PVCC / BAT COMPARATOR (REVERSE DISCHARGING PROTECTION) | | | | | | |
| V _{PVCC-BAT_OP} | Differential Voltage from PVCC to BAT | | -20 | | 24 | V |
| V _{PVCC-BAT_FALL} | PVCC to BAT falling threshold | V _{PVCC} - V _{BAT} to turn off ACFET | 140 | 185 | 240 | mV |
| V _{PVCC-BAT_HYS} | PVCC to BAT hysteresis | | | 50 | | mV |
| | PVCC to BAT Rising Deglitch | V _{PVCC} - V _{BAT} > V _{PVCC-BAT_RISE} | | 10 | | µs |
| | PVCC to BAT Falling Deglitch | V _{PVCC} - V _{BAT} < V _{PVCC-BAT_FALL} | | 6 | | µs |
| INPUT UNDERVOLTAGE LOCK-OUT COMPARATOR (UVLO) | | | | | | |
| V _{UVLO} | AC Under-voltage rising threshold | Measured on PVCC | 3.5 | 4 | 4.5 | V |
| V _{UVLO_HYS} | AC Under-voltage hysteresis, falling | | | 260 | | mV |

ELECTRICAL CHARACTERISTICS (continued)

7.0 V ≤ V_{PVCC} ≤ 24 V, 0°C < T_J < +125°C, typical values are at T_A = 25°C, with respect to AGND (unless otherwise noted)

| PARAMETER | | TEST CONDITIONS | MIN | TYP | MAX | UNIT |
|---|---|---|-------|-----|-------|---------------------------------------|
| ACN / BAT COMPARATOR | | | | | | |
| V _{ACN-BAT_FALL} | ACN to BAT falling threshold | V _{ACN} - V _{BAT} to turn on $\overline{\text{BATDRV}}$ | 175 | 285 | 340 | mV |
| V _{ACN-BAT_HYS} | ACN to BAT hysteresis | | | 50 | | mV |
| | ACN to BAT rising deglitch | V _{ACN} - V _{BAT} > V _{ACN-BAT_RISE} | | 20 | | μs |
| | ACN to BAT falling deglitch | V _{ACN} - V _{BAT} < V _{ACN-BAT_FALL} | | 6 | | μs |
| BAT OVERVOLTAGE COMPARATOR | | | | | | |
| V _{OV_RISE} | Overvoltage rising threshold | As percentage of V _{BAT_REG} | | 104 | | % |
| V _{OV_FALL} | Overvoltage falling threshold | As percentage of V _{BAT_REG} | | 102 | | |
| BAT SHORT (UNDERVOLTAGE) COMPARATOR | | | | | | |
| V _{BAT_SHORT_FALL} | BAT short falling threshold | | 2.755 | 2.9 | 3.045 | V/cell |
| V _{BAT_SHORT_HYS} | BAT short hysteresis | | | 250 | | mV/cell |
| | BAT short rising deglitch | V _{BAT} > V _{BAT_SHORT} + V _{BAT_SHORT_HYS} Detection delay | | 1.5 | | s |
| | BAT short falling deglitch | V _{BAT} < V _{BAT_SHORT} | | 1.5 | | |
| CHARGE OVERCURRENT COMPARATOR | | | | | | |
| V _{OC} | Charge over-current falling threshold | As percentage of I _{REG_CHG} | | 145 | | % |
| | Minimum Current Limit (SRP-SRN) | | | 50 | | mV |
| CHARGE UNDERCURRENT COMPARATOR (SYNCHRONOUS TO NON-SYNCHRONOUS TRANSITION) | | | | | | |
| V _{ISYNSET_FALL} | Charge undercurrent falling threshold | Changing from synchronous to non-synchronous | 9.75 | 13 | 16.25 | mV |
| V _{ISYNSET_HYS} | Charge undercurrent rising hysteresis | | | 8 | | mV |
| | Charge undercurrent, falling-current deglitch | V _{I_{REG}_DPM} < V _{ISYNSET} | | 20 | | μs |
| | Charge undercurrent, rising-current deglitch | | | 640 | | |
| INPUT OVER-POWER COMPARATOR (ACOP) | | | | | | |
| V _{ACOC} | ACOC Gain for initial ACOC current limit (Percentage of programmed V _{I_{REG}_DPM}) | Begins 700 ms after ACDET Input current limited to this threshold for fault protection | | 150 | | % V _{I_{REG}_DPM} |
| V _{ACOC_CEILING} | Maximum ACOC input current limit (V _{ACP} - V _{ACN}) _{max} | Internally limited ceiling V _{ACOC_MAX} = (V _{ACP} - V _{ACN}) _{max} | | 100 | | mV |
| | ACOP Latch Blankout Time with ACOC active (begins 500 ms after ACDET) | Begins 700 ms after ACDET (does not allow ACOP latch-off, and no ACOP source current) | | 2 | | ms |
| V _{ACOP} | ACOP pin latch-off threshold voltage (See ACOP in Terminal Functions table) | | 1.95 | 2 | 2.05 | V |
| K _{ACOP} | Gain for ACOP Source Current when in ACOC | Current source on when in ACOC limit. Function of voltage across power FET I _{ACOP_SOURCE} = K _{ACOP} × (V _{PVCC} - V _{ACP}) | | 18 | | μA / V |
| I _{ACOP_SINK} | ACOP Sink Current when not in ACOC ACOP Latch is reset by going below ACDET or UVLO | Current sink on when not in ACOC | | 5 | | μA |

ELECTRICAL CHARACTERISTICS (continued)

7.0 V ≤ V_{PVCC} ≤ 24 V, 0°C < T_J < +125°C, typical values are at T_A = 25°C, with respect to AGND (unless otherwise noted)

| PARAMETER | | TEST CONDITIONS | MIN | TYP | MAX | UNIT |
|--|---|---|-------|-----|-------|-------|
| INPUT OVERVOLTAGE COMPARATOR (ACOV) | | | | | | |
| V _{ACOV} | AC Overvoltage rising threshold on OVPSET (See OVPSET in Table 1) | Measured on OVPSET | 3.007 | 3.1 | 3.193 | V |
| V _{ACOV_HYS} | AC Over-voltage rising deglitch | | | 1.3 | | ms |
| | AC Over-voltage falling deglitch | | | 1.3 | | |
| THERMAL SHUTDOWN COMPARATOR | | | | | | |
| T _{SHUT} | Thermal shutdown rising temperature | Temperature Increasing | | 155 | | °C |
| T _{SHUT_HYS} | Thermal shutdown hysteresis, falling | | | 20 | | °C |
| BATTERY SWITCH (BATDRV) DRIVER | | | | | | |
| R _{DS_BAT_OFF} | BATFET Turn-off resistance | V _{PVCC} > 5 V | | | 160 | Ω |
| R _{DS_BAT_ON} | BATFET Turn-on resistance | V _{PVCC} > 5 V | | | 3 | kΩ |
| V _{BATDRV_REG} | BATFET drive voltage | V _{BATDRV_REG} = V _{PVCC} - V _{BATDRV} when V _{PVCC} > 5 V and BATFET is on | | 6.5 | | V |
| | BATFET Power-up delay | Delay to turn off BATFET after adapter is detected (after ACDET > 2.4) | 518 | 700 | 908 | ms |
| AC SWITCH (ACDRV) DRIVER | | | | | | |
| R _{DS_AC_OFF} | ACFET turn-off resistance | V _{PVCC} > 5 V | | | 80 | Ω |
| R _{DS_AC_ON} | ACFET turn-on resistance | V _{PVCC} > 5 V | | | 2.5 | kΩ |
| V _{ACDRV_REG} | ACFET drive voltage | V _{ACDRV_REG} = V _{PVCC} - V _{ACDRV} when V _{PVCC} > 5 V and ACFET is on | | 6.5 | | V |
| | ACFET Power-up Delay | Delay to turn on ACFET after adapter is detected (after ACDET > 2.4) | 518 | 700 | 908 | ms |
| AC / BAT MOSFET DRIVERS TIMING | | | | | | |
| | Driver dead time | Dead time when switching between ACDRV and BATDRV | | 10 | | μs |
| PWM HIGH SIDE DRIVER (HIDRV) | | | | | | |
| R _{DS_HI_ON} | High side driver turn-on resistance | V _{BTST} - V _{PH} = 5.5 V, tested at 100 mA | | 3 | 6 | Ω |
| R _{DS_HI_OFF} | High side driver turn-off resistance | V _{BTST} - V _{PH} = 5.5 V, tested at 100 mA | | 0.7 | 1.4 | Ω |
| V _{BTST_REFRESH} | Bootstrap refresh comparator threshold voltage | V _{BTST} - V _{PH} when low side refresh pulse is requested | | 4 | | V |
| PWM LOW SIDE DRIVER (LODRV) | | | | | | |
| R _{DS_LO_ON} | Low side driver turn-on resistance | REGN = 6 V, tested at 100 mA | | 3 | 6 | Ω |
| R _{DS_LO_OFF} | Low side driver turn-off resistance | REGN = 6 V, tested at 100 mA | | 0.6 | 1.2 | Ω |
| PWM DRIVERS TIMING | | | | | | |
| | Driver Dead Time — Dead time when switching between LODRV and HIDRV. No load at LODRV and HIDRV | | | 30 | | ns |
| PWM OSCILLATOR | | | | | | |
| F _{SW} | PWM switching frequency | | 240 | | 360 | kHz |
| V _{RAMP_HEIGHT} | PWM ramp height | As percentage of PVCC | | 6.6 | | %PVCC |

ELECTRICAL CHARACTERISTICS (continued)

7.0 V ≤ V_{PVCC} ≤ 24 V, 0°C < T_J < +125°C, typical values are at T_A = 25°C, with respect to AGND (unless otherwise noted)

| PARAMETER | | TEST CONDITIONS | MIN | TYP | MAX | UNIT |
|---|---|--|-----|-----|-----|------|
| QUIESCENT CURRENT | | | | | | |
| I _{OFF_STATE} | Total off-state battery current from SRP, SRN, BAT, VCC, BTST, PH, etc. | V _{BAT} = 16.8 V, V _{ACDET} < 0.6 V, V _{PVCC} > 5 V, T _J = 0 to 85°C | | 7 | 10 | μA |
| I _{BAT_ON} | Battery on-state quiescent current | V _{BAT} = 16.8 V, 0.6V < V _{ACDET} < 2.4 V, V _{PVCC} > 5V | | 1 | | mA |
| I _{BAT_LOAD_CD} | Internal battery load current, charge disabled | Charge is disabled: V _{BAT} = 16.8 V, V _{ACDET} > 2.4 V, V _{PVCC} > 5 V | | 3 | 5 | mA |
| I _{BAT_LOAD_CE} | Internal battery load current, charge enabled | Charge is enabled: V _{BAT} = 16.8 V, V _{ACDET} > 2.4 V, V _{PVCC} > 5 V | 6 | 10 | 12 | mA |
| I _{AC} | Adapter quiescent current | V _{PVCC} = 20 V, charge disabled | | 2.8 | 4 | mA |
| I _{AC_SWITCH} | Adapter switching quiescent current | V _{PVCC} = 20 V, Charge enabled, converter running, total gate charge = 2 × 10 nC | | 25 | | mA |
| INTERNAL SOFT START (8 steps to regulation current) | | | | | | |
| | Soft start steps | | | 8 | | step |
| | Soft start step time | | | 1.7 | | ms |
| CHARGER SECTION POWER-UP SEQUENCING | | | | | | |
| | Charge-enable delay after power-up | Delay from when adapter is detected to when the charger is allowed to turn on | 518 | 700 | 908 | ms |
| LOGIC INPUT PIN CHARACTERISTICS (CHGEN, LEARN) | | | | | | |
| V _{IN_LO} | Input low threshold voltage | | | | 0.8 | V |
| V _{IN_HI} | Input high threshold voltage | | 2.1 | | | |
| V _{BIAS} | Input bias current | V _{CHGEN} = 0 to V _{REGN} | | | 1 | μA |
| LOGIC INPUT PIN CHARACTERISTICS (CELLS) | | | | | | |
| V _{IN_LO} | Input low threshold voltage, 3 cells | CELLS voltage falling edge | | | 0.5 | V |
| V _{IN_MID} | Input mid threshold voltage, 2 cells | CELLS voltage rising for MIN, CELLS voltage falling for MAX | 0.8 | | 1.8 | |
| V _{IN_HI} | Input high threshold voltage, 4 cells | CELLS voltage rising | 2.5 | | | |
| I _{BIAS_FLOAT} | Input bias float current for 2-cell selection | V _{CHGEN} = 0 to V _{REGN} | -1 | | 1 | μA |
| OPEN-DRAIN LOGIC OUTPUT PIN CHARACTERISTICS (ACGOOD) | | | | | | |
| V _{OUT_LO} | Output low saturation voltage | Sink Current = 5 mA | | | 0.5 | V |
| | Delay, \overline{ACGOOD} falling | | 518 | 700 | 908 | ms |
| | Delay, \overline{ACGOOD} rising | | | 10 | | ms |

TYPICAL CHARACTERISTICS

Table of Graphs⁽¹⁾

| Y | X | Figure |
|---|---------------------------|---------------------------|
| VREF Load and Line Regulation | vs Load Current | Figure 3 |
| REGN Load and Line Regulation | vs Load Current | Figure 4 |
| BAT Voltage | vs VADJ/VDAC Ratio | Figure 5 |
| Charge Current | vs SRSET/VDAC Ratio | Figure 6 |
| Input Current | vs ACSET/VDAC Ratio | Figure 7 |
| BAT Voltage Regulation Accuracy | vs Charge Current | Figure 8 |
| BAT Voltage Regulation Accuracy | | Figure 9 |
| Charge Current Regulation Accuracy | | Figure 10 |
| Input Current Regulation (DPM) Accuracy | | Figure 11 |
| V _{IADAPT} Input Current Sense Amplifier Accuracy | | Figure 12 |
| Input Regulation Current (DPM), and Charge Current | vs System Current | Figure 13 |
| Transient System Load (DPM) Response | | Figure 14 |
| Charge Current Regulation | vs BAT Voltage | Figure 15 |
| Efficiency | vs Battery Charge Current | Figure 16 |
| Battery Removal (from Constant Current Mode) | | Figure 17 |
| ACDRV and BATDRV Startup | | Figure 18 |
| REF and REGN Startup | | Figure 19 |
| System Selector on Adapter Insertion with 390-μF SYS-to-PGND System Capacitor | | Figure 20 |
| System Selector on Adapter Removal with 390-μF SYS-to-PGND System Capacitor | | Figure 21 |
| System Selector LEARN Turn-On with 390-μF SYS-to-PGND System Capacitor | | Figure 22 |
| System Selector LEARN Turn-Off with 390-μF SYS-to-PGND System Capacitor | | Figure 23 |
| System Selector on Adapter Insertion | | Figure 24 |
| Selector Gate Drive Voltages, 700 ms delay after ACDET | | Figure 25 |
| System Selector when Adapter Removed | | Figure 26 |
| Charge Enable / Disable and Current Soft-Start | | Figure 27 |
| Nonsynchronous to Synchronous Transition | | Figure 28 |
| Synchronous to Nonsynchronous Transition | | Figure 29 |
| Near 100% Duty Cycle Bootstrap Recharge Pulse | | Figure 30 |
| Battery Shorted Charger Response, Over Current Protection (OCP) and Charge Current Regulation | | Figure 31 |
| Continuous Conduction Mode (CCM) Switching Waveforms | | Figure 32 |
| Discontinuous Conduction Mode (DCM) Switching Waveforms | | Figure 33 |

(1) Test results based on [Figure 2](#) application schematic. $V_{IN} = 20\text{ V}$, $V_{BAT} = 3\text{-cell Lilon}$, $I_{CHG} = 3\text{ A}$, $I_{ADAPTER_LIMIT} = 4\text{ A}$, $T_A = 25^\circ\text{C}$, unless otherwise specified.

VREF LOAD AND LINE REGULATION
VS
Load Current

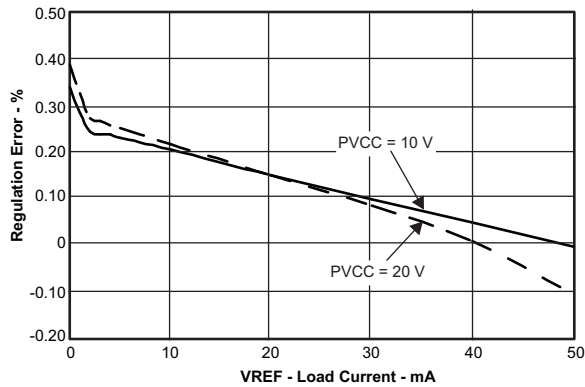


Figure 3.

REGN LOAD AND LINE REGULATION
VS
LOAD CURRENT

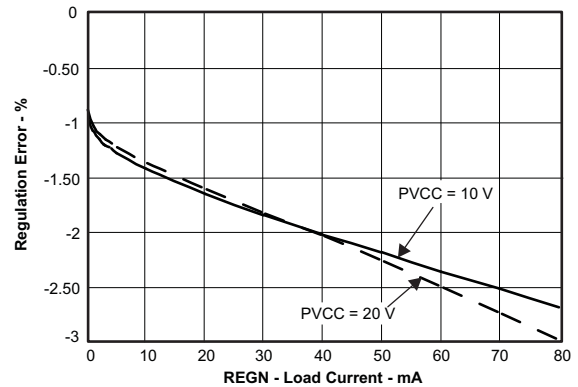


Figure 4.

BAT VOLTAGE
VS
VADJ/VDAC RATIO

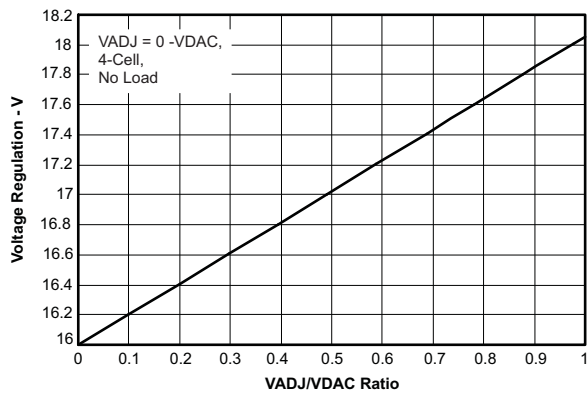


Figure 5.

CHARGE CURRENT
VS
SRSET/VDAC RATIO

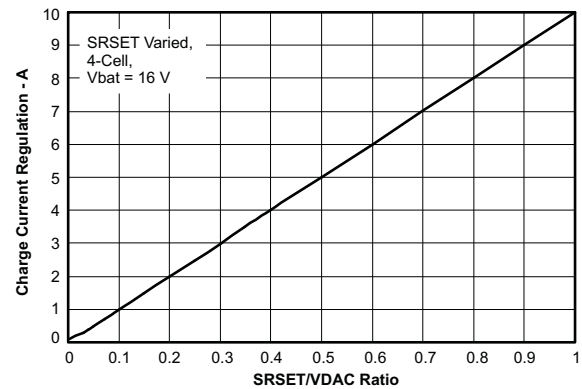


Figure 6.

INPUT CURRENT
VS
ACSET/VDAC RATIO

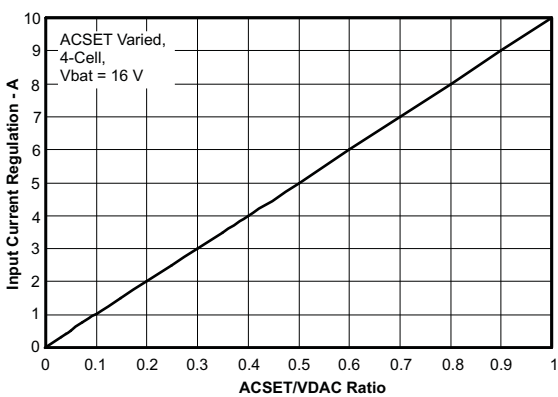


Figure 7.

BAT VOLTAGE REGULATION ACCURACY
VS
CHARGE CURRENT

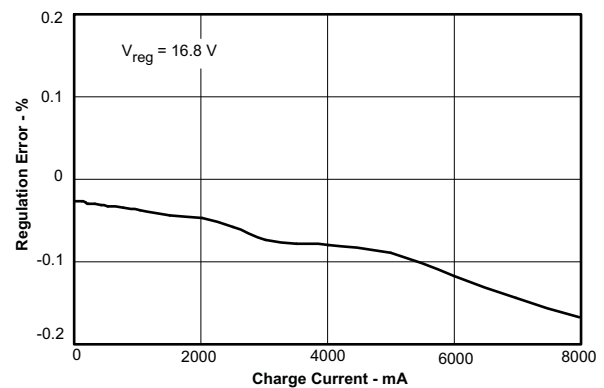


Figure 8.

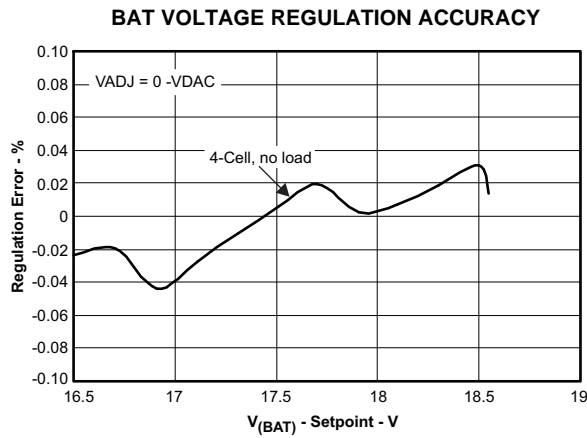


Figure 9.

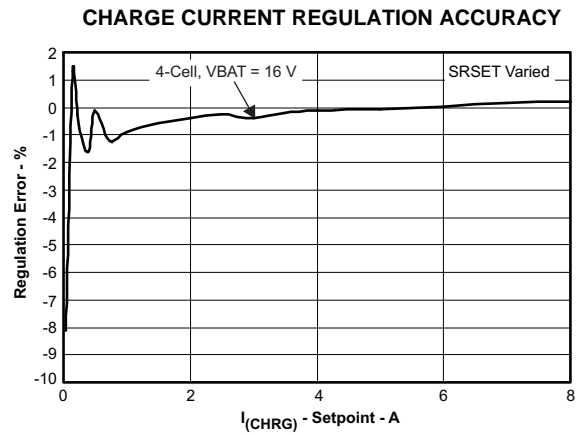


Figure 10.

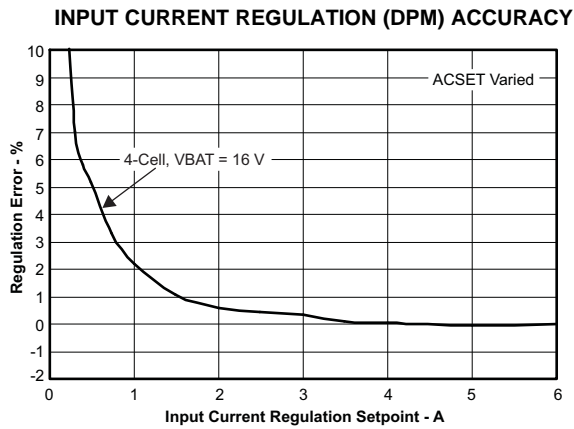


Figure 11.

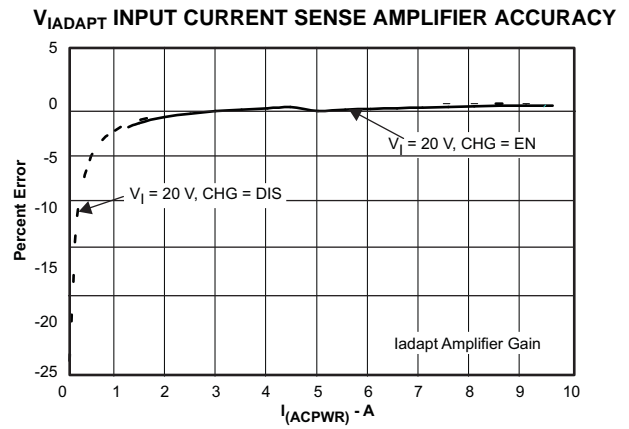


Figure 12.

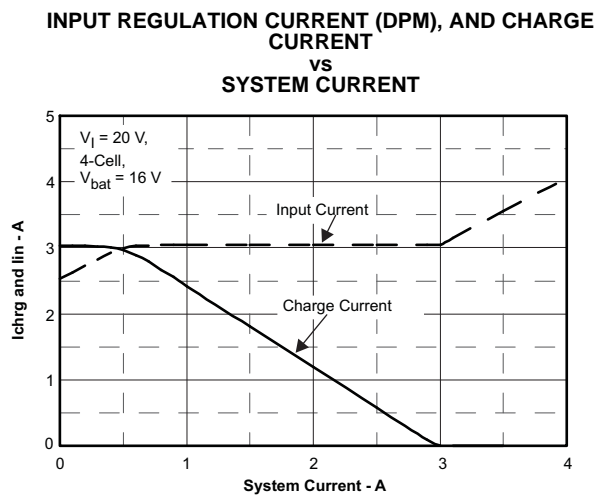


Figure 13.

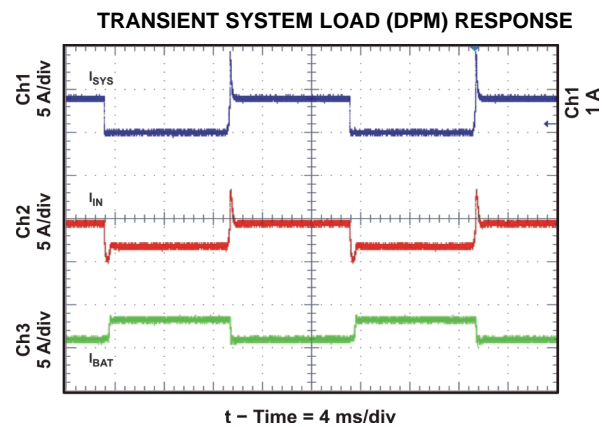


Figure 14.

**CHARGE CURRENT REGULATION
VS
BAT VOLTAGE**

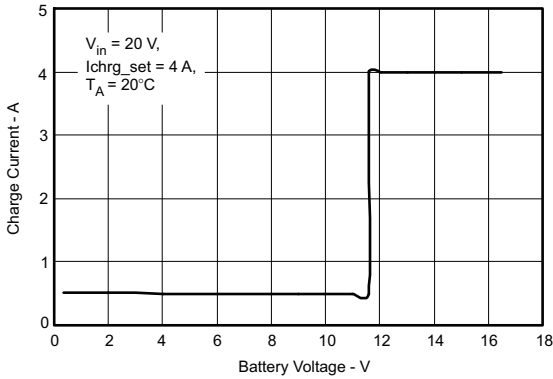


Figure 15.

**EFFICIENCY
VS
BATTERY CHARGE CURRENT**

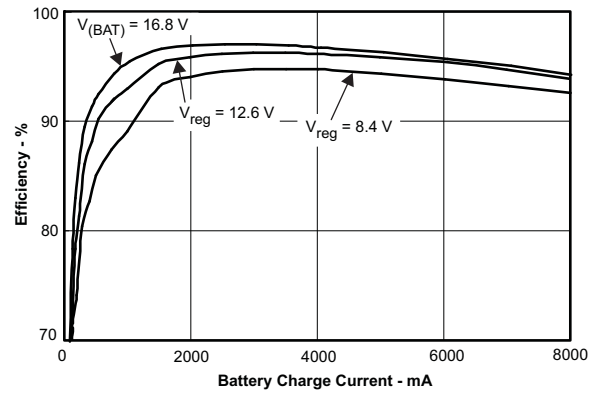


Figure 16.

BATTERY REMOVAL

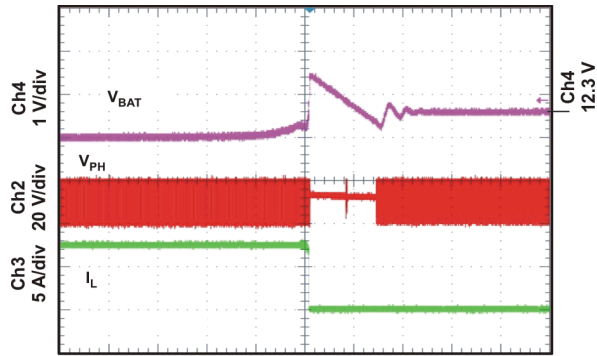


Figure 17.

ACDRV AND BATDRV STARTUP

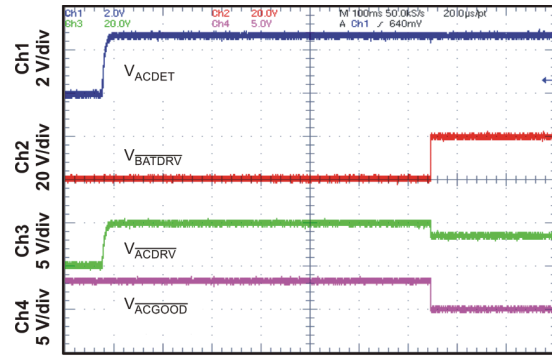


Figure 18.

REF AND REGN STARTUP

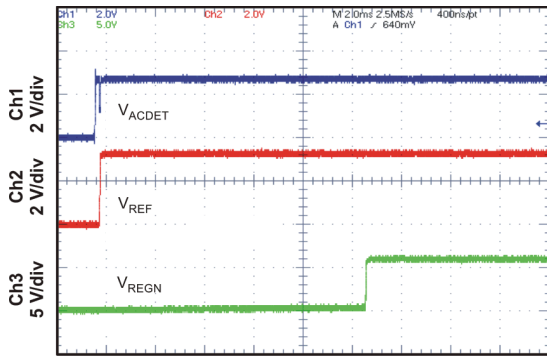


Figure 19.

**SYSTEM SELECTOR ON ADAPTER INSERTION WITH
390 μF SYS-TO-PGND SYSTEM CAPACITOR**

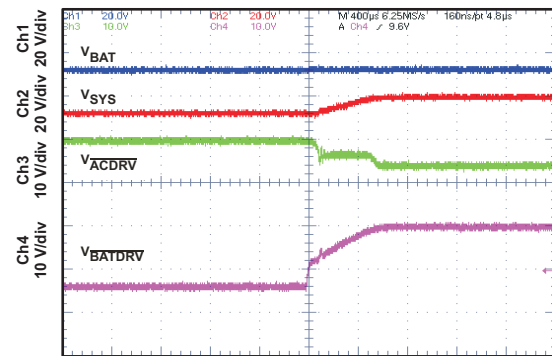


Figure 20.

SYSTEM SELECTOR ON ADAPTER REMOVAL WITH 390 μ F SYS-TO-PGND SYSTEM CAPACITOR

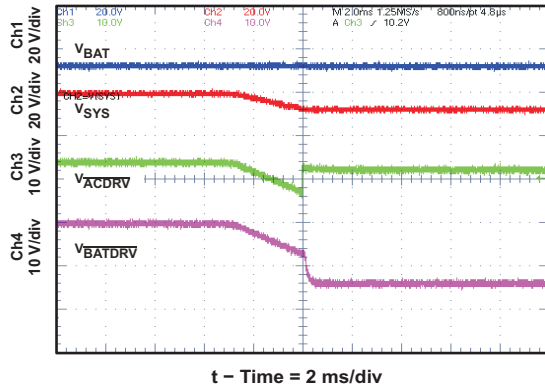


Figure 21.

SYSTEM SELECTOR LEARN TURN-ON WITH 390 μ F SYS-TO-PGND SYSTEM CAPACITOR

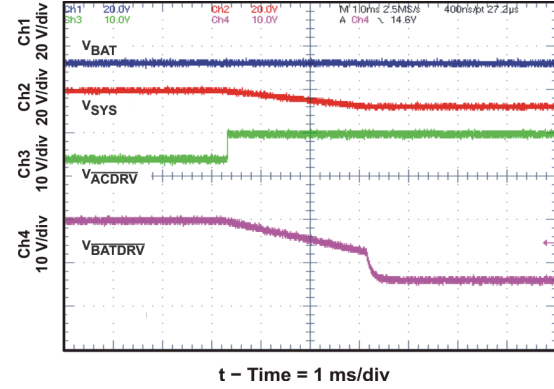


Figure 22.

SYSTEM SELECTOR LEARN TURN-OFF WITH 390 μ F SYS-TO-PGND SYSTEM CAPACITOR

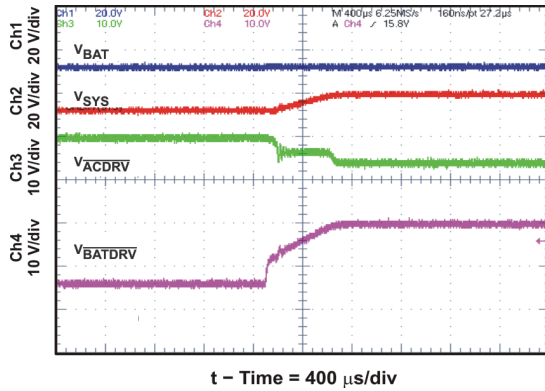


Figure 23.

SYSTEM SELECTOR ON ADAPTER INSERTION

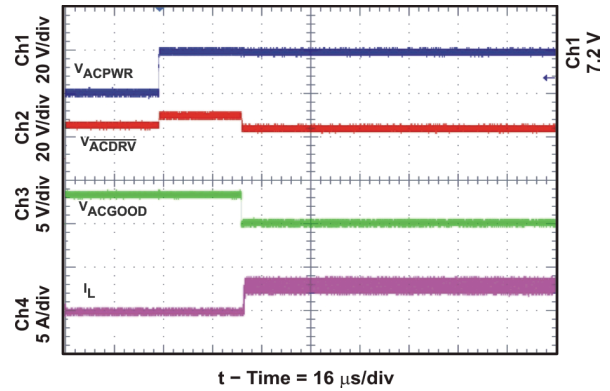


Figure 24.

SELECTOR GATE DRIVE VOLTAGES, 700 MS DELAY AFTER ACDET

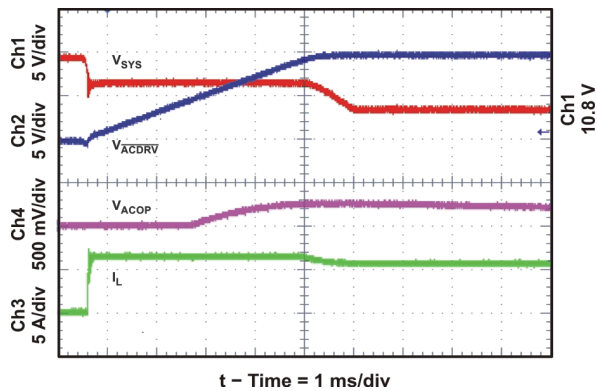


Figure 25.

SYSTEM SELECTOR ON ADAPTER REMOVAL

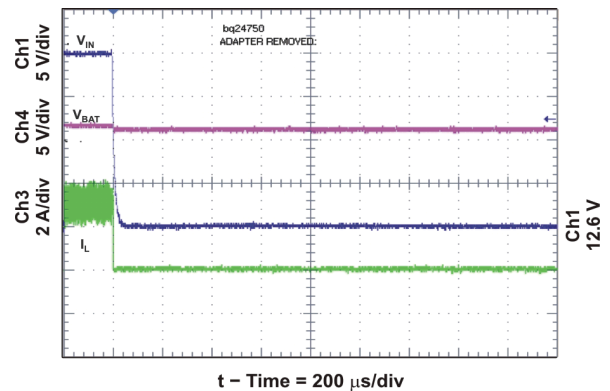


Figure 26.

CHARGE ENABLE / DISABLE AND CURRENT SOFT-START

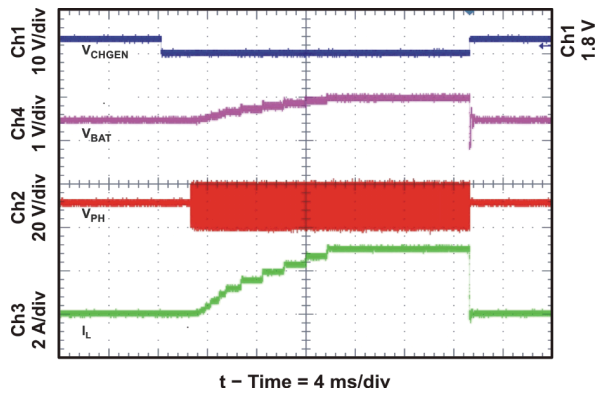


Figure 27.

NONSYNCHRONOUS TO SYNCHRONOUS TRANSITION

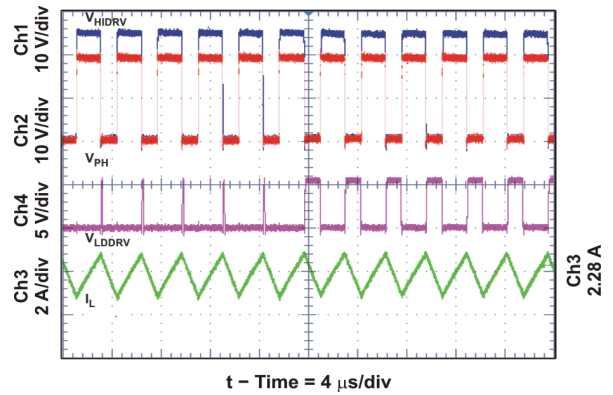


Figure 28.

SYNCHRONOUS TO NONSYNCHRONOUS TRANSITION

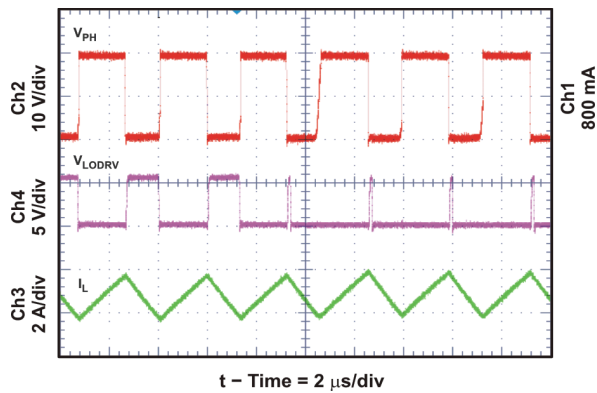


Figure 29.

NEAR 100% DUTY CYCLE BOOTSTRAP RECHARGE PULSE

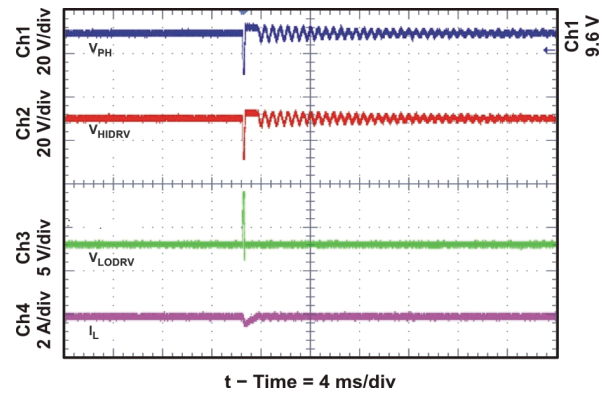


Figure 30.

BATTERY SHORTED CHARGER RESPONSE, OVERCURRENT PROTECTION (OCP) AND CHARGE CURRENT REGULATION

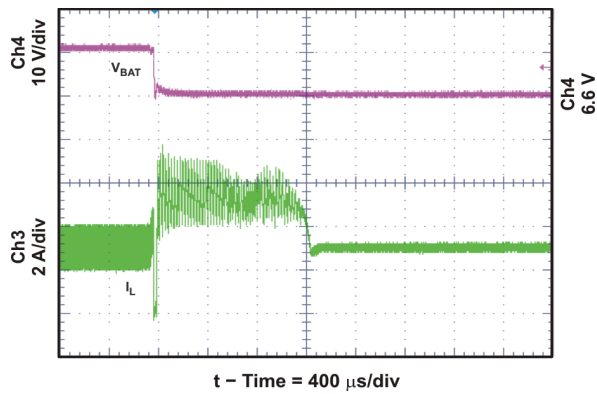


Figure 31.

CONTINUOUS CONDUCTION MODE (CCM) SWITCHING WAVEFORMS

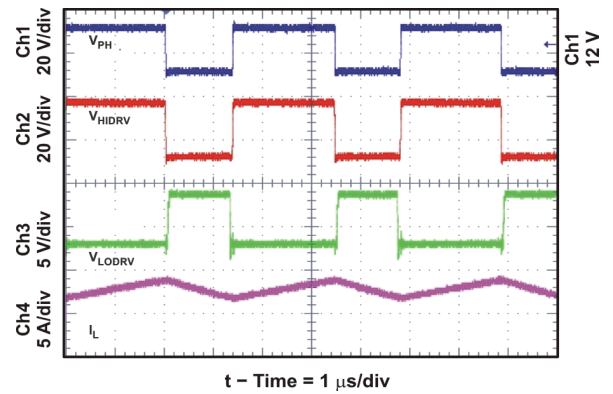


Figure 32.

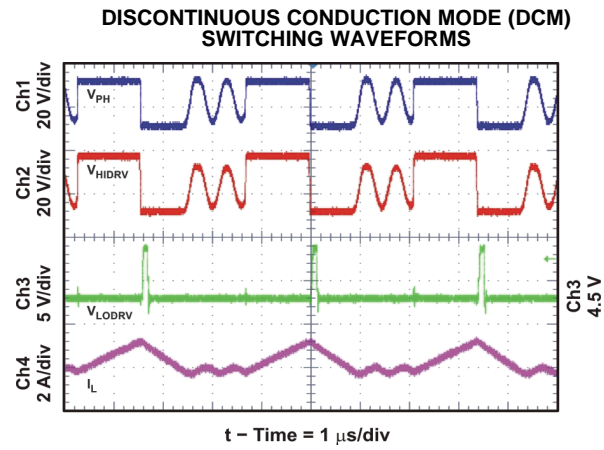
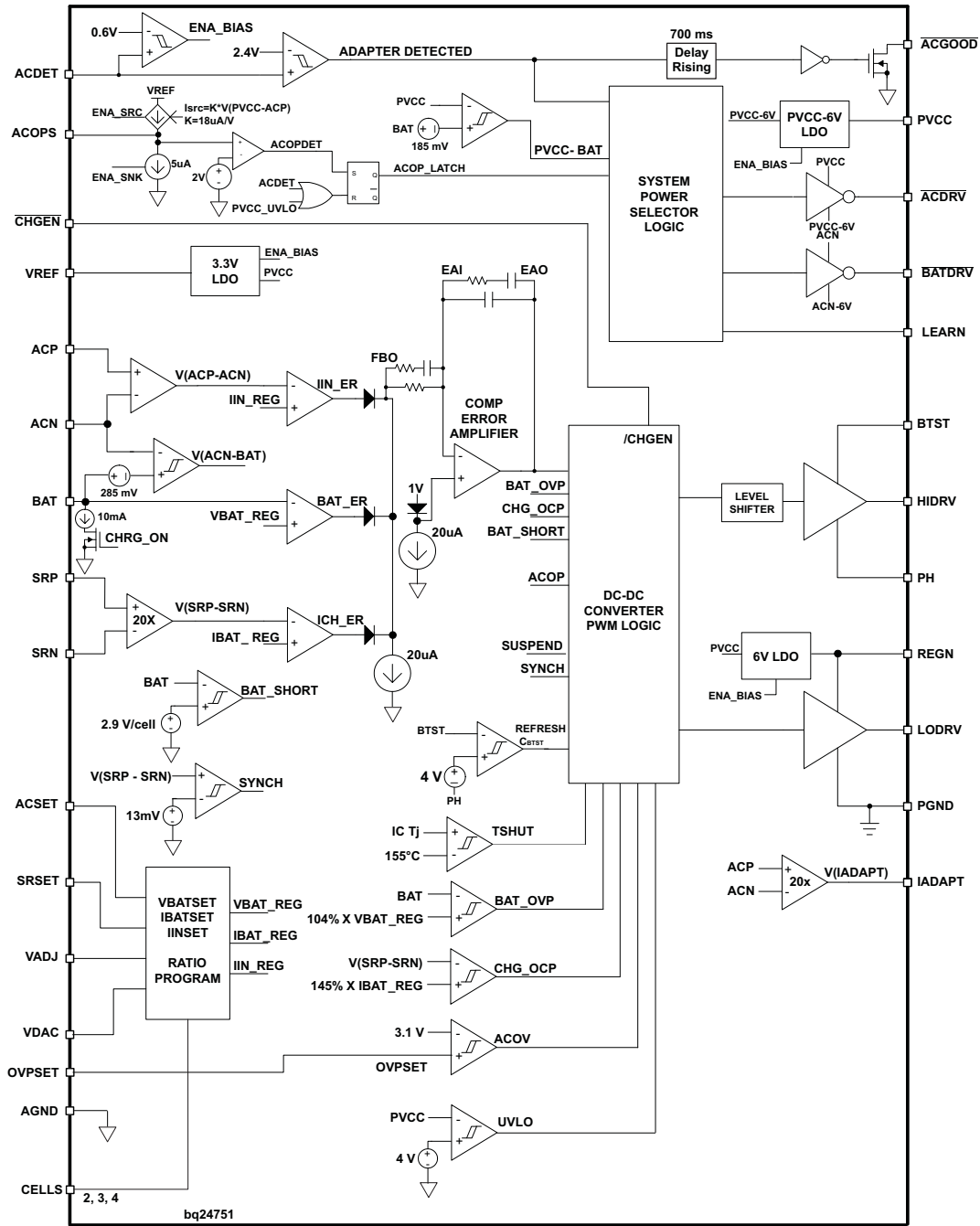


Figure 33.

FUNCTIONAL BLOCK DIAGRAM



DETAILED DESCRIPTION

Battery Voltage Regulation

The bq24751 uses a high-accuracy voltage regulator for charging voltage. Internal default battery voltage setting $V_{BATT} = 4.2 \text{ V} \times \text{cell count}$. The regulation voltage is ratiometric with respect to VDAC. The ratio of VADJ and VDAC provides extra 12.5% adjust range on V_{BATT} regulation voltage. By limiting the adjust range to 12.5% of the regulation voltage, the external resistor mismatch error is reduced from $\pm 1\%$ to $\pm 0.1\%$. Therefore, an overall voltage accuracy as good as 0.5% is maintained, while using 1% mismatched resistors. Ratiometric conversion also allows compatibility with D/As or microcontrollers (μC). The battery voltage is programmed through VADJ and VDAC using [Equation 1](#).

$$V_{BATT} = \text{cell count} \times \left[4\text{V} + \left(0.5 \times \frac{V_{VADJ}}{V_{VDAC}} \right) \right] \quad (1)$$

The input voltage range of VDAC is between 2.6 V and 3.6 V. VADJ is set between 0 and VDAC. V_{BATT} defaults to $4.2 \text{ V} \times \text{cell count}$ when VADJ is connected to REGN.

The CELLS pin is the logic input for selecting the cell count. Connect CELLS to the appropriate voltage level to charge 2,3, or 4 Li+ cells, as shown in [Table 2](#). When charging other cell chemistries, use CELLS to select an output voltage range for the charger.

Table 2. Cell-Count Selection

| CELLS | CELL COUNT |
|-------|------------|
| Float | 2 |
| AGND | 3 |
| VREF | 4 |

The per-cell charge-termination voltage is a function of the battery chemistry. Consult the battery manufacturer to determine this voltage.

The BAT pin is used to sense the battery voltage for voltage regulation and should be connected as close to the battery as possible, or directly on the output capacitor. A 0.1- μF ceramic capacitor from BAT to AGND is recommended to be as close to the BAT pin as possible to decouple high-frequency noise.

Battery Current Regulation

The SRSET input sets the maximum charge current. Battery current is sensed by resistor R_{SR} connected between SRP and SRN. The full-scale differential voltage between SRP and SRN is 100 mV. Thus, for a 0.010- Ω sense resistor, the maximum charging current is 10 A. SRSET is ratiometric with respect to VDAC using [Equation 2](#):

$$I_{CHARGE} = \frac{V_{SRSET}}{V_{VDAC}} \times \frac{0.10}{R_{SR}} \quad (2)$$

The input voltage range of SRSET is between 0 and V_{DAC} , up to 3.6 V.

The SRP and SRN pins are used to sense across R_{SR} , with a default value of 10 m Ω . However, resistors of other values can also be used. A larger sense-resistor value yields a larger sense voltage, and a higher regulation accuracy. However, this is at the expense of a higher conduction loss.

Input Adapter Current Regulation

The total input current from an AC adapter or other DC sources is a function of the system supply current and the battery charging current. System current normally fluctuates as portions of the systems are powered up or down. Without Dynamic Power Management (DPM), the source must be able to supply the maximum system current and the maximum charger input current simultaneously. By using DPM, the input current regulator reduces the charging current when the input current exceeds the input current limit set by ACSET. The current capacity of the AC adapter can be lowered, reducing system cost.

Similar to setting battery-regulation current, adapter current is sensed by resistor R_{AC} connected between ACP and ACN. Its maximum value is set by ACSET, which is ratiometric with respect to VDACC, using [Equation 3](#).

$$I_{ADAPTER} = \frac{V_{ACSET}}{V_{VDACC}} \times \frac{0.10}{R_{AC}} \quad (3)$$

The input voltage range of ACSET is between 0 and V_{VDACC} , up to 3.6 V.

The ACP and ACN pins are used to sense R_{AC} with a default value of 10 m Ω . However, resistors of other values can also be used. A larger sense-resistor value yields a larger sense voltage, and a higher regulation accuracy. However, this is at the expense of a higher conduction loss.

Adapter Detect and Power Up

An external resistor voltage divider attenuates the adapter voltage to the ACDET pin. The adapter detect threshold should typically be programmed to a value greater than the maximum battery voltage and lower than the minimum-allowed adapter voltage. The ACDET divider should be placed before the ACFET in order to sense the true adapter input voltage whether the ACFET is on or off. Before the adapter is detected, BATFET stays on and ACFET turns off.

If PVCC is below 5 V, the device is disabled, and both ACFET and BATFET turn off.

If ACDET is below 0.6 V but PVCC is above 5 V, part of the bias is enabled, including a crude bandgap reference, ACFET drive and BATFET drive. IADAPT is disabled and pulled down to GND. The total quiescent current is less than 10 μ A.

When ACDET rises above 0.6 V and PVCC is above 5 V, all the bias circuits are enabled and the REGN output rises to 6 V and VREF rises to 3.3 V. IADAPT becomes valid to proportionally reflect the adapter current.

When ACDET keeps rising and passes 2.4 V, a valid AC adapter is present. 500 ms later, the following occurs:

- \overline{ACGOOD} is pulled high through the external pull-up resistor to the host digital voltage rail;
- ACFET is allowed to turn on and BATFET turns off consequently; (refer to [System Power Selector](#))
- Charging begins if all the conditions are satisfied and STAT becomes valid. (refer to [Enable and Disable Charging](#))

Enable and Disable Charging

The following conditions must be valid before the charge function is enabled:

- \overline{CHGEN} is LOW
- $PVCC > UVLO$, $UVLO = 4$ V
- Adapter is detected
- Adapter voltage is higher than $BAT + 250$ mV
- Adapter is not over voltage (ACOV)
- 700 ms delay is complete after the adapter is detected plus 10 ms ACOC time
- Regulators are at 80% of final voltage
- Thermal Shut (TSHUT) is not valid
- TS is within the temperature qualification window
- $VDACC > 2.4$ V
- LEARN is low

System Power Selector

The bq24750 automatically switches between connecting the adapter or battery power to the system load. By default, the battery is connected to the system during power up or when a valid adapter is not present. When the adapter is detected, the battery is first disconnected from the system, then the adapter is connected. An automatic break-before-make algorithm prevents shoot-through currents when the selector transistors switch.

The \overline{ACDRV} signal drives a pair of back-to-back p-channel power MOSFETs (with sources connected together and to PVCC) connected between the adapter and ACP. The FET connected to the adapter prevents reverse

discharge from the battery to the adapter when it is turned off. The p-channel FET with the drain connected to the adapter input provides reverse battery discharge protection when off; and also minimizes system power dissipation, with its low R_{dson} , compared to a Schottky diode. The other p-channel FET connected to ACP separates the battery from the adapter, and provides both ACOC current limit and ACOP power limit to the system. The $\overline{\text{BATDRV}}$ signal controls a p-channel power MOSFET placed between BAT and the system.

When the adapter is not detected, the $\overline{\text{ACDRV}}$ output is pulled to PVCC to turn off the ACFET, disconnecting the adapter from system. $\overline{\text{BATDRV}}$ stays at ACN – 6 V to connect the battery to system.

At 700 ms after adapter is detected, the system begins to switch from the battery to the adapter. The PVCC voltage must be 250 mV above BAT to enable the switching. The break-before-make logic turns off both ACFET and BATFET for 10 μ s before ACFET turns on. This isolates the battery from shoot-through current or any large discharging current. The $\overline{\text{BATDRV}}$ output is pulled up to ACN and the $\overline{\text{ACDRV}}$ pin is set to PVCC – 6 V by an internal regulator to turn on the p-channel ACFET, connecting the adapter to the system.

When the adapter is removed, the system waits till PVCC drops back to within 250 mV above BAT to switch from the adapter back to the battery. The break-before-make logic ensures a 10- μ s dead time. The $\overline{\text{ACDRV}}$ output is pulled up to PVCC and the $\overline{\text{BATDRV}}$ pin is set to ACN – 6 V by an internal regulator to turn on the p-channel BATFET, connecting the battery to the system.

Asymmetrical gate drive for the $\overline{\text{ACDRV}}$ and $\overline{\text{BATDRV}}$ drivers provides fast turn-off and slow turn-on of the ACFET and BATFET to help the break-before-make logic and to allow a soft-start at turn-on of either FET. The soft-start time can be further increased, by putting a capacitor from gate to source of the p-channel power MOSFETs.

Battery Learn Cycles

A battery Learn cycle can be implemented using the LEARN pin. A logic low on LEARN keeps the system power selector logic in its default states dependant on the adapter. If adapter is not detected, then; the ACFET is kept off, and the BATFET is kept on. If the adapter is detected, the BATFET is kept off, and the ACFET is kept on.

When the LEARN pin is at logic high, the system power selector logic is overridden, keeping the ACFET off and the BATFET on when the adapter is present. This is used to allow the battery to discharge in order to calibrate the battery gas gauge over a complete discharge/charge cycle. Charge turns off when LEARN is high. The controller automatically exits the learn cycle when BAT < 2.9 V per cell. $\overline{\text{BATDRV}}$ turns off and $\overline{\text{ACDRV}}$ turns on.

Automatic Internal Soft-Start Charger Current

The charger automatically soft-starts the charger regulation current every time the charger is enabled to ensure there is no overshoot or stress on the output capacitors or the power converter. The soft-start consists of stepping-up the charge regulation current into 8 evenly-divided steps up to the programmed charge current. Each step lasts approximately 1 ms, for a typical rise time of 8 ms. No external components are needed for this function.

Converter Operation

The synchronous-buck PWM converter uses a fixed-frequency (300 kHz) voltage mode with a feed-forward control scheme. A Type-III compensation network allows the use of ceramic capacitors at the output of the converter. The compensation input stage is internally connected between the feedback output (FBO) and the error-amplifier input (EAI). The feedback compensation stage is connected between the error amplifier input (EAI) and error amplifier output (EAO). The LC output filter is selected for a nominal resonant frequency of 8 kHz–12.5 kHz.

$$f_o = \frac{1}{2\pi\sqrt{L_o C_o}}$$

The resonant frequency, f_o , is given by: where (from [Figure 1](#) schematic)

- $C_o = C11 + C12$
- $L_o = L1$

An internal sawtooth ramp is compared to the internal EAO error-control signal to vary the duty cycle of the converter. The ramp height is one-fifteenth of the input adapter voltage, making it always directly proportional to the input adapter voltage. This cancels out any loop-gain variation due to a change in input voltage, and simplifies the loop compensation. The ramp is offset by 300 mV in order to allow a 0% duty cycle when the EAO signal is below the ramp. The EAO signal is also allowed to exceed the sawtooth ramp signal in order to operate

with a 100% duty-cycle PWM request. Internal gate-drive logic allows a 99.98% duty-cycle while ensuring that the N-channel upper device always has enough voltage to stay fully on. If the BTST-to-PH voltage falls below 4 V for more than 3 cycles, the high-side N-channel power MOSFET is turned off and the low-side N-channel power MOSFET is turned on to pull the PH node down and recharge the BTST capacitor. Then the high-side driver returns to 100% duty-cycle operation until the (BTST-PH) voltage is detected falling low again due to leakage current discharging the BTST capacitor below 4 V, and the reset pulse is reissued.

The 300-kHz fixed-frequency oscillator tightly controls the switching frequency under all conditions of input voltage, battery voltage, charge current, and temperature. This simplifies output-filter design, and keeps it out of the audible noise region. The charge-current sense resistor R_{SR} should be designed with at least half or more of the total output capacitance placed before the sense resistor, contacting both sense resistor and the output inductor; and the other half, or remaining capacitance placed after the sense resistor. The output capacitance should be divided and placed on both sides of the charge-current sense resistor. A ratio of 50:50 percent gives the best performance; but the node in which the output inductor and sense resistor connect should have a minimum of 50% of the total capacitance. This capacitance provides sufficient filtering to remove the switching noise and give better current-sense accuracy. The Type-III compensation provides phase boost near the cross-over frequency, giving sufficient phase margin.

Synchronous and Non-Synchronous Operation

The charger operates in non-synchronous mode when the sensed charge current is below the ISYNSET value. Otherwise, the charger operates in synchronous mode.

During synchronous mode, the low-side N-channel power MOSFET is on when the high-side N-channel power MOSFET is off. The internal gate-drive logic uses break-before-make switching to prevent shoot-through currents. During the 30-ns dead time where both FETs are off, the back-diode of the low-side power MOSFET conducts the inductor current. Having the low-side FET turn-on keeps the power dissipation low, and allows safe charging at high currents. During synchronous mode, the inductor current always flows, and the device operates in Continuous Conduction Mode (CCM), creating a fixed two-pole system.

During non-synchronous operation, after the high-side n-channel power MOSFET turns off, and after the break-before-make dead-time, the low-side n-channel power MOSFET turns on for approximately 80 ns, then the low-side power MOSFET turns off and stays off until the beginning of the next cycle, when the high-side power MOSFET is turned on again. The 80-ns low-side MOSFET on-time is required to ensure that the bootstrap capacitor is always recharged and able to keep the high-side power MOSFET on during the next cycle. This is important for battery chargers, where unlike regular dc-dc converters, there is a battery load that maintains a voltage and can both source and sink current. The 80-ns low-side pulse pulls the PH node (connection between high and low-side MOSFET) down, allowing the bootstrap capacitor to recharge up to the REGN LDO value. After the 80 ns, the low-side MOSFET is kept off to prevent negative inductor current from flowing. The inductor current is blocked by the turned-off low-side MOSFET, and the inductor current becomes discontinuous. This mode is called Discontinuous Conduction Mode (DCM).

During the DCM mode, the loop response automatically changes and has a single-pole system at which the pole is proportional to the load current, because the converter does not sink current, and only the load provides a current sink. This means that at very low currents, the loop response is slower, because there is less sinking current available to discharge the output voltage. At very low currents during non-synchronous operation, there may be a small amount of negative inductor current during the 80-ns recharge pulse. The charge should be low enough to be absorbed by the input capacitance.

Whenever the converter goes into 0% duty-cycle mode, and $BTST - PH < 4 V$, the 80-ns recharge pulse occurs on LODRV, the high-side MOSFET does not turn on, and the low-side MOSFET does not turn on (no 80-ns recharge pulse), and there is no discharge from the battery.

In the bq24751, ISYN is internally set as the charge-current threshold at which the charger changes from non-synchronous operation to synchronous operation. The low-side driver turns on for only 80 ns to charge the boost capacitor. This is important to prevent negative inductor current, which may cause a boost effect in which the input voltage increases as power is transferred from the battery to the input capacitors. This can lead to an over-voltage on the PVCC node and potentially damage the system. This programmable value allows setting the current threshold for any inductor ripple current, and avoiding negative inductor current. The minimum synchronous threshold should be set within a range from 1/2 the inductor-current ripple to the full ripple current, where the inductor ripple current is given by

$$\frac{I_{\text{RIPPLE_MAX}}}{2} \leq I_{\text{SYN}} \leq I_{\text{RIPPLE_MAX}}$$

$$\text{and } I_{\text{RIPPLE_MAX}} = \frac{(V_{\text{IN_MAX}} - V_{\text{BAT_MIN}}) \times \left(\frac{V_{\text{BAT_MIN}}}{V_{\text{IN_MAX}}}\right) \times \left(\frac{1}{f_s}\right)}{L_{\text{MIN}}} \quad (4)$$

where

$V_{\text{IN_MAX}}$: maximum adapter voltage

$V_{\text{BAT_MIN}}$: minimum BAT voltage

f_s : switching frequency

L_{MIN} : minimum output inductor

The ISYNSET comparator, or charge undercurrent comparator, compares the voltage between SRP-BAT and the internal threshold on the cycle-to-cycle base. The threshold is set to 13 mV on the falling edge with an 8-mV hysteresis on the rising edge with a 10% variation.

High Accuracy IADAPT Using Current Sense Amplifier (CSA)

An industry-standard, high-accuracy current sense amplifier (CSA) is used by the host or some discrete logic to monitor the input current through the analog voltage output of the IADAPT pin. The CSA amplifies the sensed input voltage of ACP – ACN by 20x through the IADAPT pin. The IADAPT output is a voltage source 20 times the input differential voltage. When PVCC is above 5 V and ACDET is above 0.6 V, IADAPT no longer stays at ground, but becomes active. If the user wants to lower the voltage, they can use a resistor divider from IOUT to AGND, and still achieve accuracy over temperature as the resistors can be matched according to their thermal coefficients.

A 200-pF capacitor connected on the output is recommended for decoupling high-frequency noise. An additional RC filter is optional, after the 200-pF capacitor, if additional filtering is desired. Note that adding filtering also adds additional response delay.

Input Overvoltage Protection (ACOV)

ACOV provides protection to prevent system damage due to high input voltage. Once the adapter voltage is above the programmable OVPSET voltage (3.1 V), charge is disabled, the adapter is disconnected from the system by turning off $\overline{\text{ACDRV}}$, and the battery is connected to the system by turning on $\overline{\text{BATDRV}}$. ACOV is not latched—normal operation resumes when the OVPSET voltage returns below 3.1 V.

Input Undervoltage Lock Out (UVLO)

The system must have 5 V minimum of PVCC voltage for proper operation. This PVCC voltage can come from either the input adapter or the battery, using a diode-OR input. When the PVCC voltage is below 5 V, the bias circuits REGN, VREF, and the gate drive bias to ACFET and BATFET stay inactive, even with ACDET above 0.6 V.

Battery Overvoltage Protection

The converter stops switching when BAT voltage goes above 104% of the regulation voltage. The converter will not allow the high-side FET to turn on until the BAT voltage goes below 102% of the regulation voltage. This allows one-cycle response to an overvoltage condition, such as when the load is removed or the battery is disconnected. A 10-mA current sink from BAT to PGND is on only during charge, and allows discharging the stored output-inductor energy into the output capacitors.

Battery Shorted (Battery Undervoltage) Protection

The bq24751 has a BAT SHORT comparator monitoring the output battery voltage (BAT). If the voltage falls below 2.9 V per cell (5.8 V for 2 cells, 8.7 V for 3 cells, 11.6 V for 4 cells), a battery-short status is detected. Below the BAT_SHORT threshold, the charger reduces the charge current to 1/8th of the programmed charging current ($0.1 \times \text{SRSET}/\text{VDAC}$)/8 = C/8 down to zero volts on BAT pin.. This lower current is used as a pre-charge current for over-discharged battery packs. Above the BAT_SHORT threshold (plus hysteresis, the charge current resumes at the programmed value ($0.1 \times \text{SRSET}/\text{VDAC}$)).

The BAT_SHORT comparator also serves as a depleted-battery alarm during a LEARN cycle. If the selector is in a LEARN cycle, and the battery voltage falls below the BAT_SHORT threshold, the selector disconnects the battery from the system and connects the adapter to the system in order to protect the battery pack. If battery voltage increases, and LEARN is still logic high, then the selector disconnects the adapter from the system and reconnects the battery to the system.

Charge Overcurrent Protection

The charger has a secondary overcurrent protection feature. It monitors the charge current, and prevents the current from exceeding 145% of regulated charge current. The high-side gate drive turns off when the overcurrent is detected, and automatically resumes when the current falls below the overcurrent threshold.

Thermal Shutdown Protection

The QFN package has low thermal impedance, which provides good thermal conduction from the silicon to the ambient, to keep junction temperatures low. As an added level of protection, the charger converter turns off and self-protects when the junction temperature exceeds the TSHUT threshold of 155°C. The charger stays off until the junction temperature falls below 135°C.

Adapter Detected Status Register ($\overline{\text{ACGOOD}}$ Pin)

One status output is available, and it requires an external pullup resistor to pull the pin to the system digital rail for a high level.

$\overline{\text{ACGOOD}}$ goes low when ACDET is above 2.4 V and the 500-ms delay time is over. It indicates that the adapter voltage is high enough for normal operation.

Input Over-Power Protection (ACOP)

The ACOC/ACOP circuit provides a reliable layer of safety protection that can complement other safety measures. ACOC/ACOP helps to protect from input current surge due to various conditions including:

- Adapter insertion and system selector connecting adapter to system where system capacitors need to charge
- Learn mode exit when adapter is reconnected to the system; system load over-current surge
- System shorted to ground
- Battery shorted to ground
- Phase shorted to ground
- High-side FET shorted from drain to source (SYSTEM shorted to PH)
- BATFET shorted from drain to source (SYSTEM shorted to BAT)

Several examples of the circuit protecting from these fault conditions are shown below.

For designs using the selector functions, an input overcurrent (ACOC) and input over-power protection function (ACOP) is provided. The threshold is set by an external capacitor from the ACOP pin to AGND. After the adapter is detected (ACDET pin > 2.4V), there is a 700-ms delay before $\overline{\text{ACGOOD}}$ is asserted low, and Q3 (BATFET) is turned-off. Then Q1/Q2 (ACFET) are turned on by the $\overline{\text{ACDRV}}$ pin. When Q1/Q2 (ACFET) are turned on, the ACFET allows operation in linear-regulation mode to limit the maximum input current, ACOC, to a safe level. The ACOC current limit is 1.5 times the programmed DPM input current limit set by the ratio of SRSET/VDAC. The maximum allowable current limit is 100 mA across ACP – ACN (10 A for a 10-mΩ sense resistor).

The first 2 ms after the $\overline{\text{ACDRV}}$ signal begins to turn on, ACOC may limit the current; but the controller is not allowed to latch off in order to allow a reasonable time for the system voltage to rise.

After 2 ms, ACOP is enabled. ACOP allows the ACFET to latch off before the ACFET can be damaged by excessive thermal dissipation. The controller only latches if the ACOP pin voltage exceeds 2 V with respect to AGND. In ACOP, a current source begins to charge the ACOP capacitor when the input current is being limited by ACOC. This current source is proportional to the voltage across the source-drain of the ACFET ($V_{PVCC-ACP}$) by an 18- $\mu\text{A}/\text{V}$ ratio. This dependency allows faster capacitor charging if the voltage is larger (more power dissipation). It allows the time to be programmed by the ACOP capacitor selected. If the controller is not limiting current, a fixed 5- μA sink current into the ACOP pin to discharge the ACOP capacitor. This charge and discharge effect depends on whether there is a current-limit condition, and has a memory effect that averages the power over time, protecting the system from potentially hazardous repetitive faults. Whenever the ACOP threshold is exceeded, the charge is disabled and the adapter is disconnected from the system to protect the ACFET and the whole system. If the ACFET is latched off, the BATFET is turned on to connect the battery to the system.

The capacitor provides a predictable time to limit the power dissipation of the ACFET. Since the input current is constant at the ACOC current limit, the designer can calculate the power dissipation on the ACFET.

The ACOC current Limit threshold is equal to $\text{Power} = I_d \cdot V_{sd} = I_{ACOC_LIM} \cdot V(PVCC - ACP)$.

The time it takes to charge to 2V can be calculated from

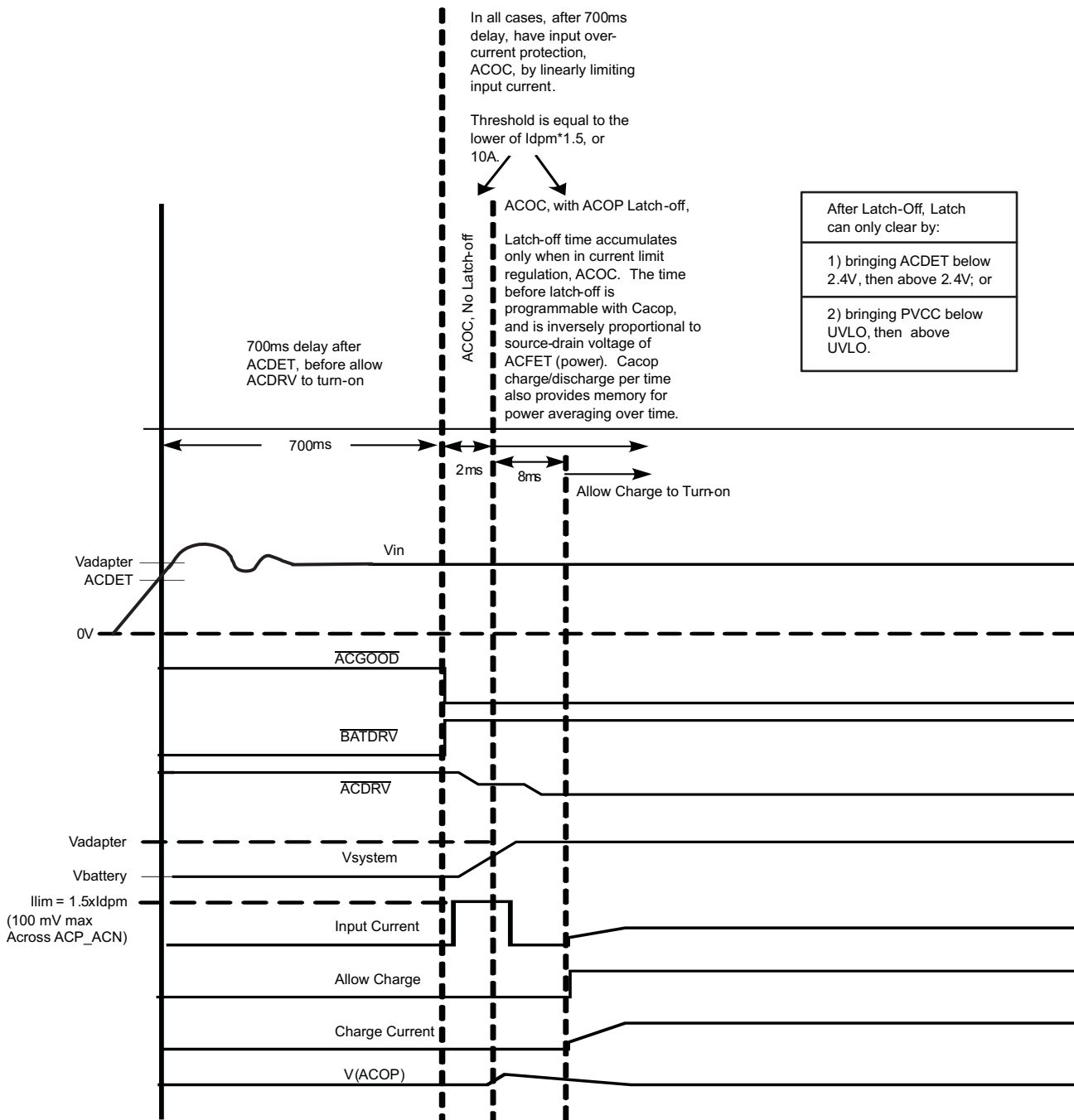
$$\Delta t = \frac{C_{ACOP} \cdot \Delta V_{ACOP}}{I_{ACOP}} = \frac{C_{ACOP} \cdot 2V}{18\mu\text{A}/\text{V} \cdot V(PVCC - ACP)} \quad (5)$$

An ACOP fault latch off can only be cleared by bringing the ACDET pin voltage below 2.4 V, then above 2.4 V (i.e. remove adapter and reinsert), or by reducing the PVCC voltage below the UVLO threshold and raising it.

Conditions for ACOP Latch Off:

702ms after ACDET (adapter detected), and

- a. ACOP voltage > 2V. The ACOP pin charges the ceramic capacitor when in an ACOC current-limit condition. The ACOP pin discharges the capacitor when not in ACOC current-limit.
- b. ACOP protects from a single-pulse ACOC condition depending on duration and source-drain voltage of ACFET. Larger voltage across ACFET creates more power dissipation so latch-off protection occurs faster, by increasing the current source out of ACOP pin.
- c. Memory effect (capacitor charging and discharging) allows protection from repetitive ACOC conditions, depending on duration and frequency. (Figure 35)
- d. In short conditions when the system is shorted to ground ($ACN < 2.4 \text{ V}$)



A. ACFET overpower protection; initial current limit allows safe soft-start without system voltage droop.

Figure 34. ACOC Protection During Adapter Insertion

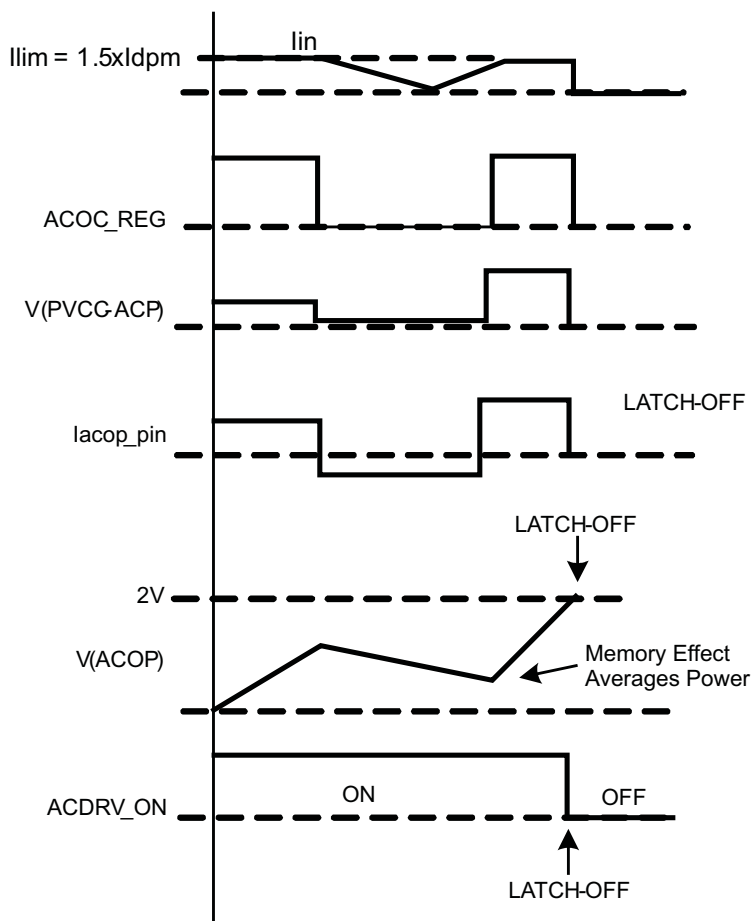


Figure 35. ACOC Protection and ACOP Latch Off with Memory Effect Example

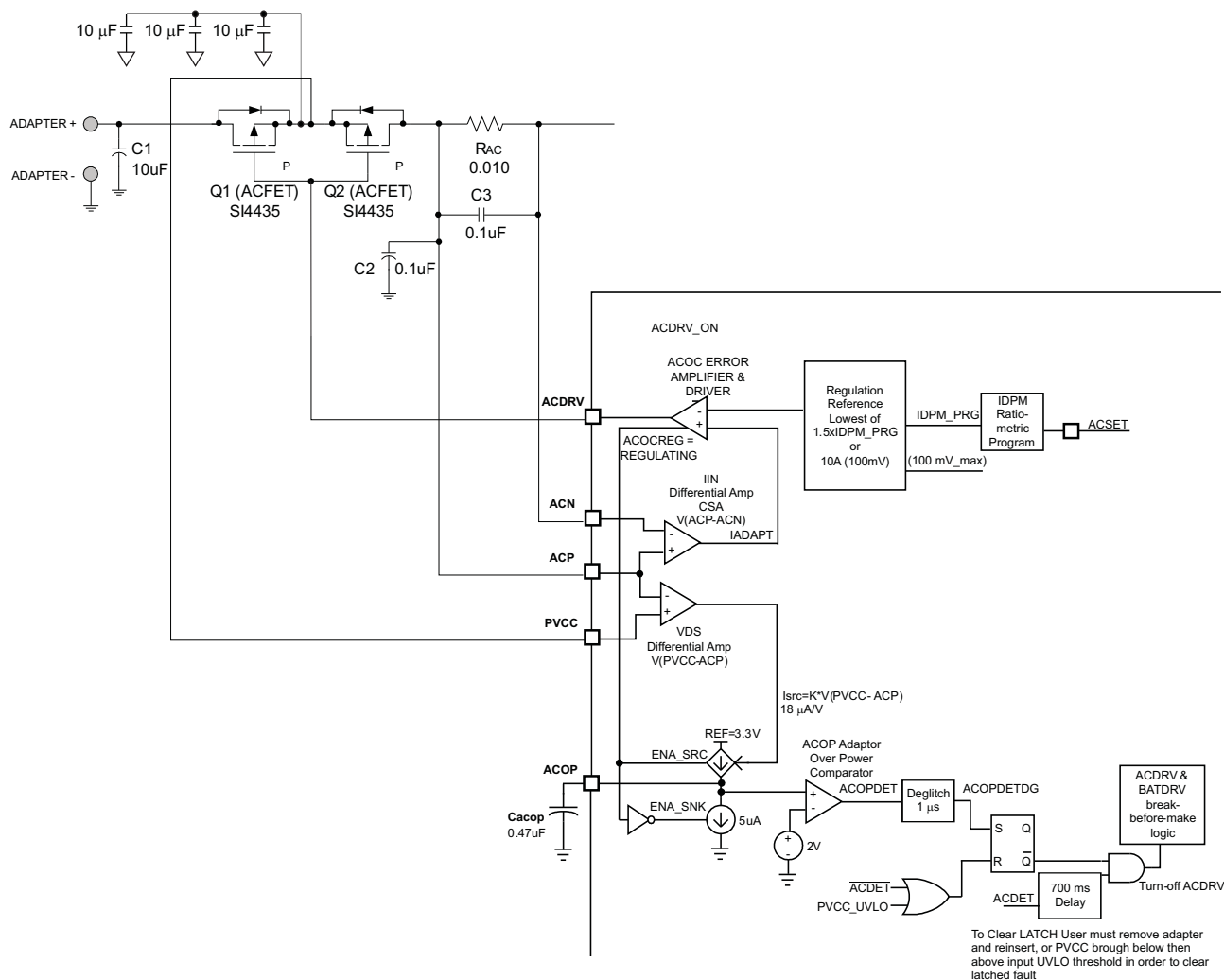


Figure 36. ACOC / ACOP Circuit Functional Block Diagram

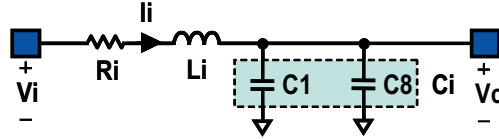
Table 3. Component List for Typical System Circuit of Figure 1

| PART DESIGNATOR | QTY | DESCRIPTION |
|-----------------------------------|-----|---|
| Q1, Q2, Q3 | 3 | P-channel MOSFET, -30 V, -6 A, SO-8, Vishay-Siliconix, Si4435 |
| Q4, Q2 | 2 | N-channel MOSFET, 30 V, 12.5 A, SO-8, Fairchild, FDS6680A |
| D1 | 1 | Diode, Dual Schottky, 30 V, 200 mA, SOT23, Fairchild, BAT54C |
| R _{AC} , R _{SR} | 2 | Sense Resistor, 10 mΩ, 1%, 1 W, 2010, Vishay-Dale, WSL2010R0100F |
| L1 | 1 | Inductor, 10 μH, 7 A, 31 mΩ, Vishay-Dale, IHLP5050FD-01 |
| C1, C6, C7, C11, C12 | 5 | Capacitor, Ceramic, 10 μF, 35 V, 20%, X5R, 1206, Panasonic, ECJ-3YB1E106M |
| C4, C8, C10 | 3 | Capacitor, Ceramic, 1 μF, 25 V, 10%, X7R, 2012, TDK, C2012X7R1E105K |
| C2, C3, C9, C13, C14, C15 | 6 | Capacitor, Ceramic, 0.1 μF, 50 V, 10%, X7R, 0805, Kemet, C0805C104K5RACTU |
| C5 | 1 | Capacitor, Ceramic, 100 pF, 25 V, 10%, X7R, 0805, Kemet |
| C16 | 1 | Capacitor, Ceramic, 0.47 μF, 25 V, 10%, X7R, 0805, Kemet |
| R1 | 1 | Resistor, Chip, 422 kΩ, 1/16 W, 1%, 0402 |
| R2 | 1 | Resistor, Chip, 4.64 kΩ, 1/16 W, 1%, 0402 |
| R3 | 1 | Resistor, Chip, 66.5 kΩ, 1/16 W, 1%, 0402 |
| R4 | 1 | Resistor, Chip, 10 kΩ, 1/16 W, 5%, 0402 |

APPLICATION INFORMATION

Input Capacitance Calculation

During the adapter hot plug-in, the $\overline{\text{ACDRV}}$ has not been enabled. The AC switch is off and the simplified equivalent circuit of the input is shown in [Figure 37](#).



- A. R_i and L_i are the equivalent input inductance and resistance. C_1 and C_8 are the input capacitance.

Figure 37. Simplified Equivalent Circuit During Adapter Insertion

The voltage on the input capacitor(s) is given by:

$$V_C(t) = V_C(0) + \frac{V_i \cdot \omega}{Z_0 \cdot C_i \cdot \omega_0^2} + \frac{V_i}{Z_0 \cdot C_i \cdot \omega_0^2} e^{-\frac{R_i t}{2L_i}} \left(-\frac{R_i}{2L_i} \sin \omega t - \omega \cdot \cos \omega t \right) \quad (6)$$

where $Z_0 = \sqrt{\frac{L_i}{C_i}}$, $\omega = \sqrt{\frac{1}{L_i C_i} - \left(\frac{R_i}{2L_i}\right)^2}$, and $\omega_0 = \sqrt{\frac{1}{L_i C_i}}$

APPLICATION INFORMATION (continued)

For a typical notebook charger application, the total stray inductance of the adapter output wire and the PCB connections is normally 5–12 μH , and the total effective resistance of the input connections is 0.15–0.5 Ω . Figure 38(a) demonstrates that a higher C_i helps to damp the voltage spike. Figure 38(b) demonstrates the effect of the input stray inductance L_i on the input voltage spike. The dashed curve in Figure 38(b) represents the worst case for $C_i=40\ \mu\text{F}$. Figure 38(c) shows how the resistance helps to suppress the input voltage spike.

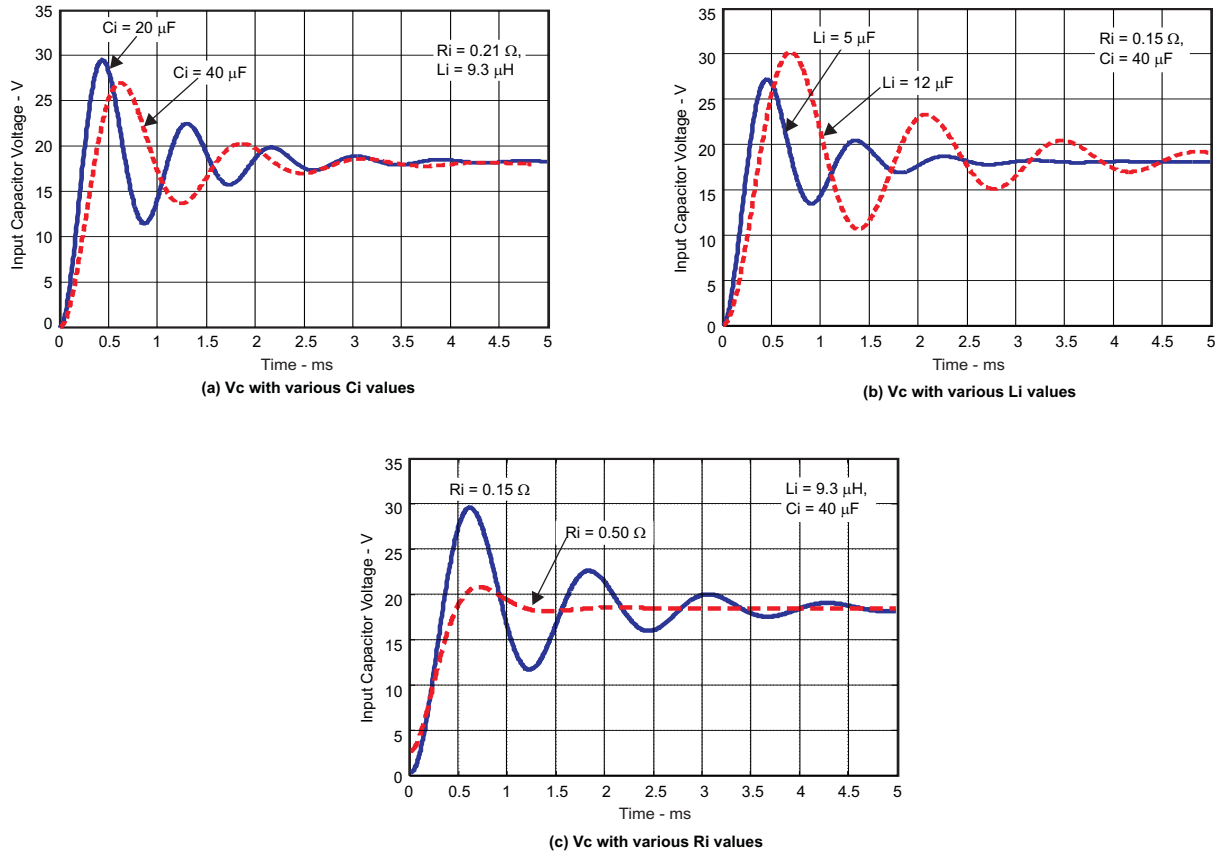


Figure 38. Parametric Study Of The Input Voltage

Minimizing the input stray inductance, increasing the input capacitance and using high-ESR input capacitors helps to suppress the input voltage spike.

APPLICATION INFORMATION (continued)

Figure 39 shows the measured input voltages and currents with different input capacitances. The voltage spike drops by about 5 V after increasing C_i from 20 μF to 40 μF . The input voltage spike has been dramatically damped by using a 47 F electrolytic capacitor.

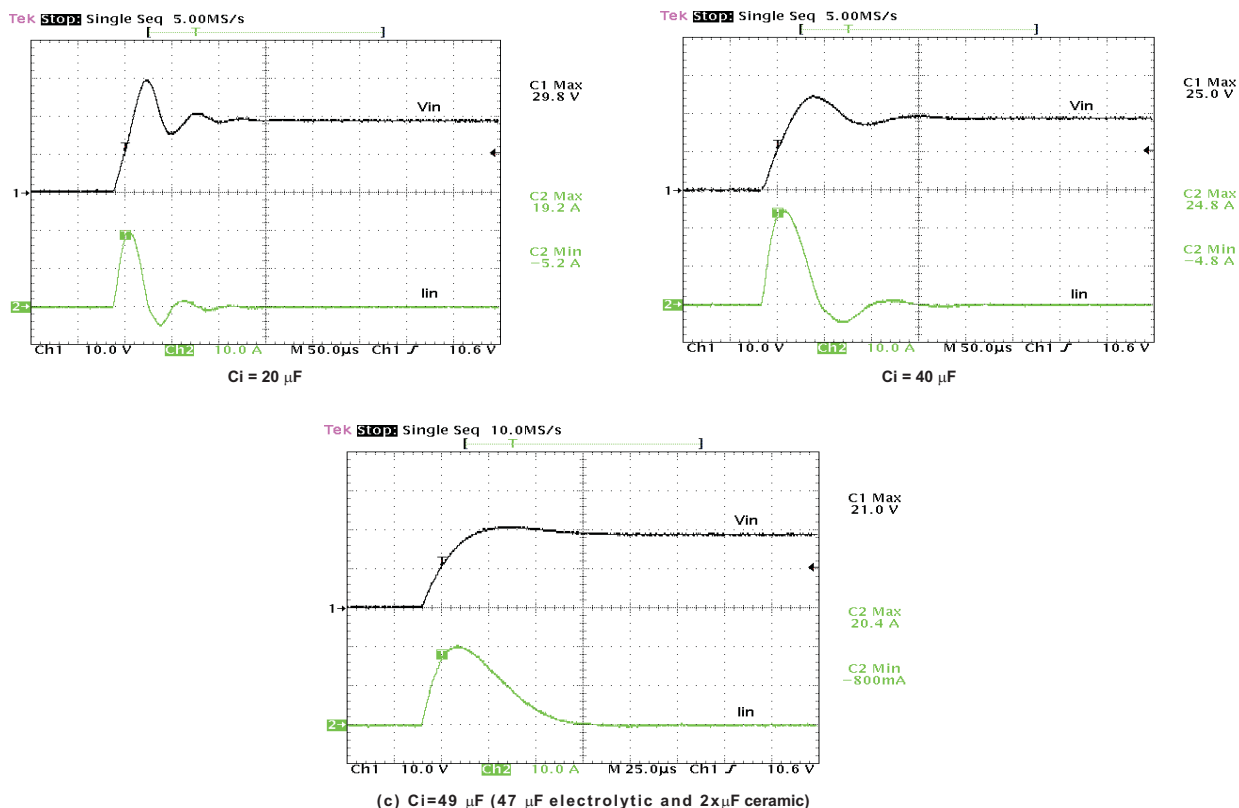


Figure 39. Adapter DC Side Hot Plug-In With Various Input Capacitances

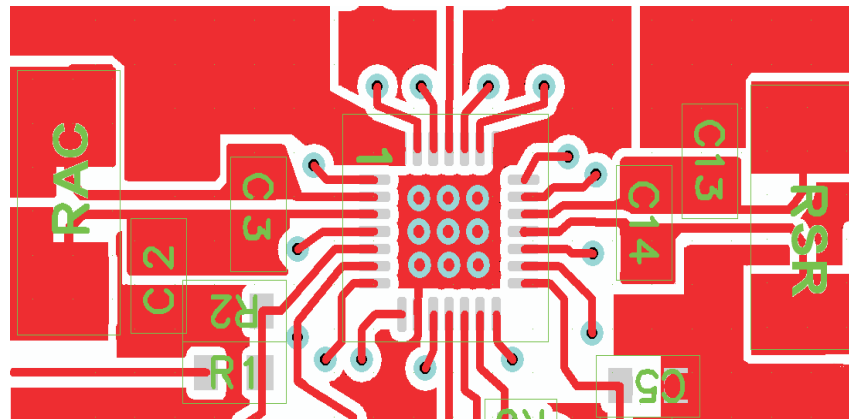
Since the input voltage to the IC is PVCC which is 0.7 V (diode voltage drop) lower than V_c during the adapter insertion, a 40- μF input capacitance is normally adequate to keep the PVCC voltage well below the maximum voltage rating under normal conditions. In case of a higher input stray inductance, the input capacitance may be increased accordingly. An electrolytic capacitor will help reduce the input voltage spike due to its high ESR.

APPLICATION INFORMATION (continued)

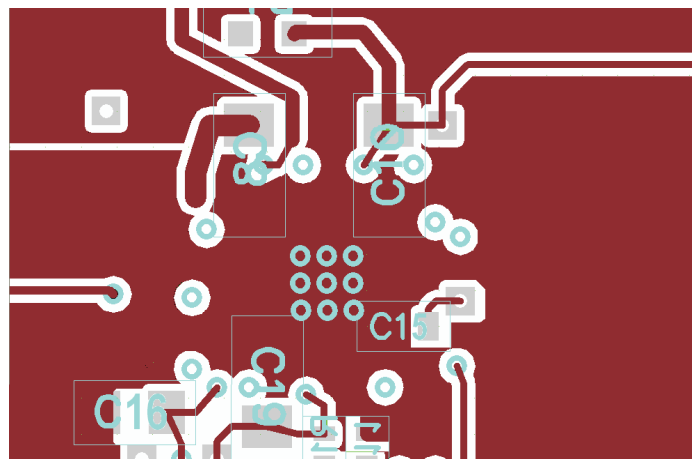
PCB Layout Design Guideline

1. It is critical that the exposed power pad on the backside of the IC package be soldered to the PCB ground. Ensure that there are sufficient thermal vias directly under the IC, connecting to the ground plane on the other layers.
2. The control stage and the power stage should be routed separately. At each layer, the signal ground and the power ground are connected only at the power pad.
3. The AC current-sense resistor must be connected to ACP (pin 3) and ACN (pin 2) with a Kelvin contact. The area of this loop must be minimized. The decoupling capacitors for these pins should be placed as close to the IC as possible.
4. The charge-current sense resistor must be connected to SRP (pin 19), SRN (pin 18) with a Kelvin contact. The area of this loop must be minimized. The decoupling capacitors for these pins should be placed as close to the IC as possible.
5. Decoupling capacitors for PVCC (pin 28), VREF (pin 10), REGN (pin 24) should be placed underneath the IC (on the bottom layer) with the interconnections to the IC as short as possible.
6. Decoupling capacitors for BAT (pin 17), IADAPT (pin 15) must be placed close to the corresponding IC pins with the interconnections to the IC as short as possible.
7. Decoupling capacitor CX for the charger input must be placed very close to the Q4 drain and Q5 source.

Figure 40 shows the recommended component placement with trace and via locations.



(a) Top Layer



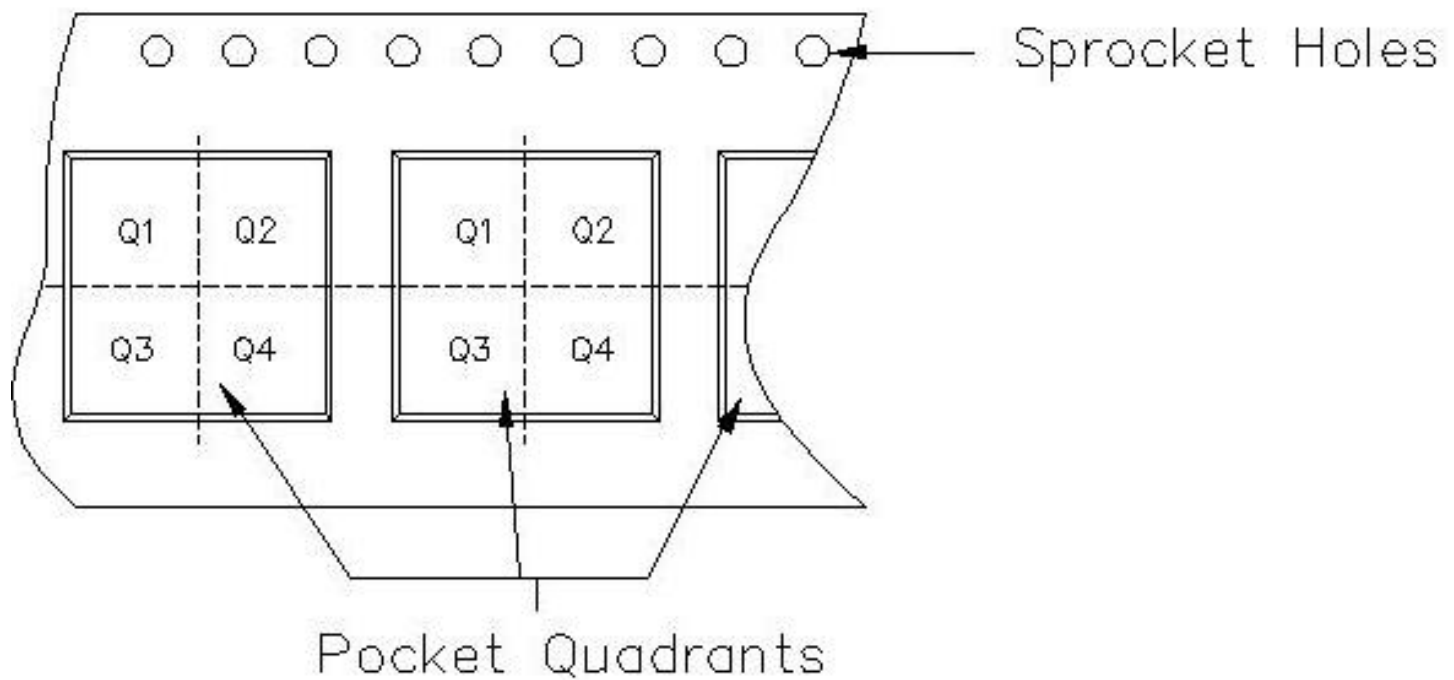
(b) Bottom Layer

Figure 40. Layout Example



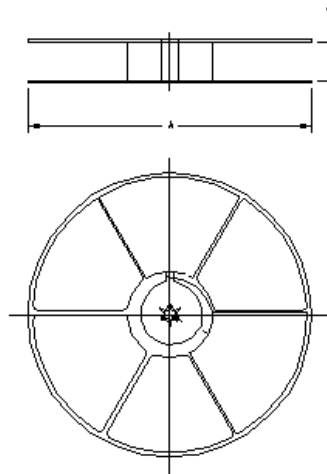
Carrier tape design is defined largely by the component length, width, and thickness.

| |
|--|
| A_o = Dimension designed to accommodate the component width. |
| B_o = Dimension designed to accommodate the component length. |
| K_o = Dimension designed to accommodate the component thickness. |
| W = Overall width of the carrier tape. |
| P = Pitch between successive cavity centers. |



TAPE AND REEL INFORMATION

| Device | Package | Pins | Site | Reel Diameter (mm) | Reel Width (mm) | A0 (mm) | B0 (mm) | K0 (mm) | P1 (mm) | W (mm) | Pin1 Quadrant |
|-------------|---------|------|------|--------------------|-----------------|---------|---------|---------|---------|--------|------------------------|
| BQ24751RHDR | RHD | 28 | MLA | 330 | 12 | 5.3 | 5.3 | 1.5 | 8 | 12 | PKGORN T2TR-MS P |
| BQ24751RHDT | RHD | 28 | MLA | 180 | 12 | 5.3 | 5.3 | 1.5 | 8 | 12 | PKGORN T2TR-MS P |



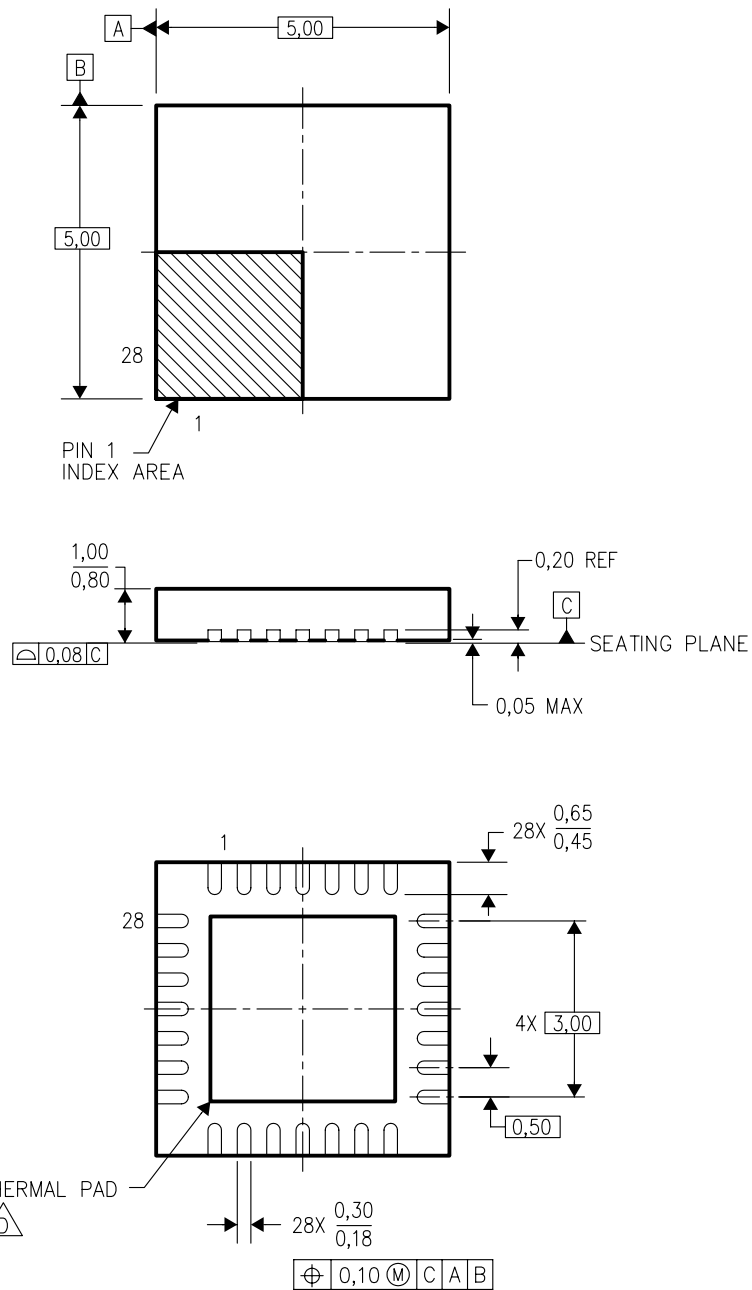
TAPE AND REEL BOX INFORMATION

| Device | Package | Pins | Site | Length (mm) | Width (mm) | Height (mm) |
|-------------|---------|------|------|-------------|------------|-------------|
| BQ24751RHDR | RHD | 28 | MLA | 346.0 | 346.0 | 29.0 |
| BQ24751RHDT | RHD | 28 | MLA | 190.0 | 212.7 | 31.75 |



RHD (S-PQFP-N28)

PLASTIC QUAD FLATPACK



4204400/B 11/04

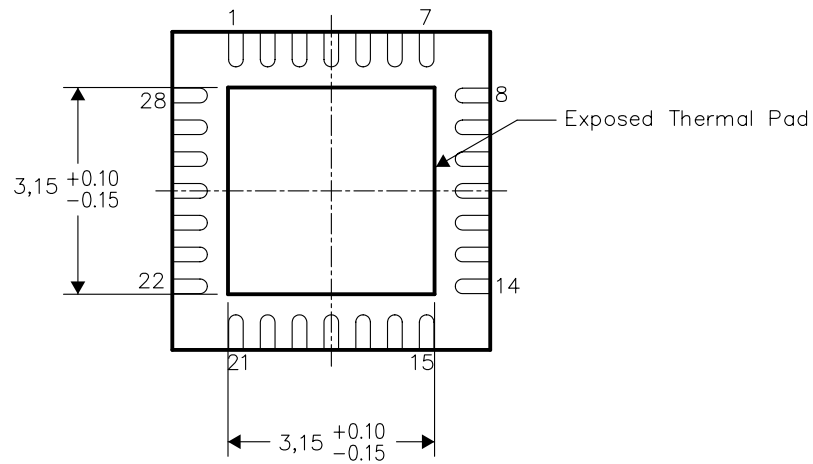
- NOTES:
- A. All linear dimensions are in millimeters. Dimensioning and tolerancing per ASME Y14.5M-1994.
 - B. This drawing is subject to change without notice.
 - C. QFN (Quad Flatpack No-Lead) Package configuration.
 - D. The package thermal pad must be soldered to the board for thermal and mechanical performance. See the Product Data Sheet for details regarding the exposed thermal pad dimensions.
 - E. Falls within JEDEC MO-220.

THERMAL INFORMATION

This package incorporates an exposed thermal pad that is designed to be attached directly to an external heatsink. The thermal pad must be soldered directly to the printed circuit board (PCB), the PCB can be used as a heatsink. In addition, through the use of thermal vias, the thermal pad can be attached directly to a ground plane or special heatsink structure designed into the PCB. This design optimizes the heat transfer from the integrated circuit (IC).

For information on the Quad Flatpack No-Lead (QFN) package and its advantages, refer to Application Report, Quad Flatpack No-Lead Logic Packages, Texas Instruments Literature No. SCBA017. This document is available at www.ti.com.

The exposed thermal pad dimensions for this package are shown in the following illustration.



Bottom View

NOTE: All linear dimensions are in millimeters

Exposed Thermal Pad Dimensions

IMPORTANT NOTICE

Texas Instruments Incorporated and its subsidiaries (TI) reserve the right to make corrections, modifications, enhancements, improvements, and other changes to its products and services at any time and to discontinue any product or service without notice. Customers should obtain the latest relevant information before placing orders and should verify that such information is current and complete. All products are sold subject to TI's terms and conditions of sale supplied at the time of order acknowledgment.

TI warrants performance of its hardware products to the specifications applicable at the time of sale in accordance with TI's standard warranty. Testing and other quality control techniques are used to the extent TI deems necessary to support this warranty. Except where mandated by government requirements, testing of all parameters of each product is not necessarily performed.

TI assumes no liability for applications assistance or customer product design. Customers are responsible for their products and applications using TI components. To minimize the risks associated with customer products and applications, customers should provide adequate design and operating safeguards.

TI does not warrant or represent that any license, either express or implied, is granted under any TI patent right, copyright, mask work right, or other TI intellectual property right relating to any combination, machine, or process in which TI products or services are used. Information published by TI regarding third-party products or services does not constitute a license from TI to use such products or services or a warranty or endorsement thereof. Use of such information may require a license from a third party under the patents or other intellectual property of the third party, or a license from TI under the patents or other intellectual property of TI.

Reproduction of information in TI data books or data sheets is permissible only if reproduction is without alteration and is accompanied by all associated warranties, conditions, limitations, and notices. Reproduction of this information with alteration is an unfair and deceptive business practice. TI is not responsible or liable for such altered documentation.

Resale of TI products or services with statements different from or beyond the parameters stated by TI for that product or service voids all express and any implied warranties for the associated TI product or service and is an unfair and deceptive business practice. TI is not responsible or liable for any such statements.

TI products are not authorized for use in safety-critical applications (such as life support) where a failure of the TI product would reasonably be expected to cause severe personal injury or death, unless officers of the parties have executed an agreement specifically governing such use. Buyers represent that they have all necessary expertise in the safety and regulatory ramifications of their applications, and acknowledge and agree that they are solely responsible for all legal, regulatory and safety-related requirements concerning their products and any use of TI products in such safety-critical applications, notwithstanding any applications-related information or support that may be provided by TI. Further, Buyers must fully indemnify TI and its representatives against any damages arising out of the use of TI products in such safety-critical applications.

TI products are neither designed nor intended for use in military/aerospace applications or environments unless the TI products are specifically designated by TI as military-grade or "enhanced plastic." Only products designated by TI as military-grade meet military specifications. Buyers acknowledge and agree that any such use of TI products which TI has not designated as military-grade is solely at the Buyer's risk, and that they are solely responsible for compliance with all legal and regulatory requirements in connection with such use.

TI products are neither designed nor intended for use in automotive applications or environments unless the specific TI products are designated by TI as compliant with ISO/TS 16949 requirements. Buyers acknowledge and agree that, if they use any non-designated products in automotive applications, TI will not be responsible for any failure to meet such requirements.

Following are URLs where you can obtain information on other Texas Instruments products and application solutions:

| Products | | Applications | |
|-----------------------|--|---------------------|--|
| Amplifiers | amplifier.ti.com | Audio | www.ti.com/audio |
| Data Converters | dataconverter.ti.com | Automotive | www.ti.com/automotive |
| DSP | dsp.ti.com | Broadband | www.ti.com/broadband |
| Interface | interface.ti.com | Digital Control | www.ti.com/digitalcontrol |
| Logic | logic.ti.com | Military | www.ti.com/military |
| Power Mgmt | power.ti.com | Optical Networking | www.ti.com/opticalnetwork |
| Microcontrollers | microcontroller.ti.com | Security | www.ti.com/security |
| RFID | www.ti-rfid.com | Telephony | www.ti.com/telephony |
| Low Power Wireless | www.ti.com/lpw | Video & Imaging | www.ti.com/video |
| | | Wireless | www.ti.com/wireless |

Mailing Address: Texas Instruments, Post Office Box 655303, Dallas, Texas 75265
Copyright © 2007, Texas Instruments Incorporated