



Tangential-flow hollow cone nozzles

Series 373 »Ramp Bottom«/309



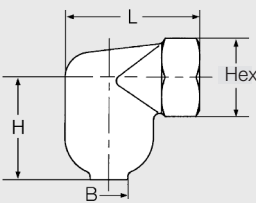
Fine, uniform hollow cone spray, also at low pressures.

Applications:
cooling and cleaning of gas,
water re-cooling, dust control,
chemical process engineering.



Sectional view of a series 373 »Ramp Bottom« nozzle

»Ramp Bottom« design offering a longer service life, due to the patented »sloping« bottom of mixing chamber.

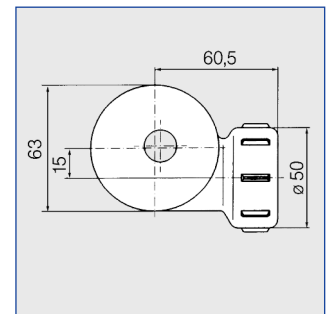
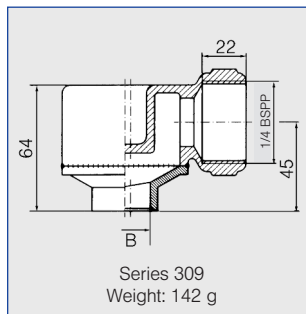


Dimensions

BSPP	L [mm]	D [mm]	H [mm]	E [mm]	Hex	Weight bronze [g]
1"	67	45	52	6,3	41	300
1 1/4"	77	51	65	7,9	48	600
1 1/2"	97	65	81	7,9	58	950

Series 373 »Ramp Bottom«

Less expensive plastic version, with low requirements on temperature and scuff resistance.



★ Spray angle	Ordering no.						B ∅ [mm]	V̇ [l/min]						Spray diameter D at p = 2 bar	
	Type	Mat. no.		Code		p [bar]						H			
		32 Bronze	17 1.4571/316 SS	1" BSPP	1 1/4" BSPP	1 1/2" BSPP		0,3	0,5	1,0	2,0	5,0	10,0	500 mm	1000 mm
70°	373. 115	○	○	AN	-	-	11,40	24,40	31,50	44,5	63,00	99,60	141,00	650	1300
	373. 175	○	○	AN	-	-	12,90	31,00	40,00	56,60	80,00	126,00	179,00	800	1550
80°	373. 235	○	○	-	AQ	-	16,20	45,70	59,00	83,40	118,00	187,00	264,00	700	1350
	373. 285	○	○	-	AQ	-	20,50	62,00	80,00	113,00	160,00	253,00	358,00	800	1550
	373. 325	○	○	-	-	AS	22,20	77,50	100,00	141,00	200,00	316,00	447,00	800	1550
	373. 365	○	○	-	-	AS	23,60	67,90	114,00	161,00	227,00	359,00	508,00	700	1400

Plastic version:

90°	309. 236. 5E	(Material PVDF)	20,00	45,70	59,00	83,40	118,00	187,00	264,00	850	1500
	309. 286. 5E	(Material PVDF)	24,00	62,00	80,00	113,00	160,00	253,00	358,00	750	1400

B = bore diameter

Example for ordering: Type + Material no. + Code = Ordering no.
373. 115 + 32 + AN = 373. 115. 32. AN

Conversion formula for the above series: $\dot{V}_2 = \dot{V}_1 * \sqrt{\frac{p_2}{p_1}}$

