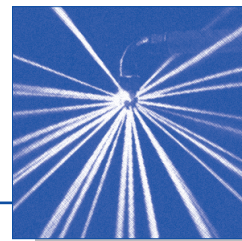




Static spray balls

Series 540 / 541 / 591



Series 540

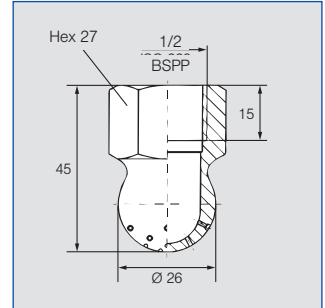
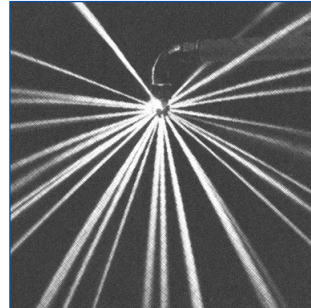
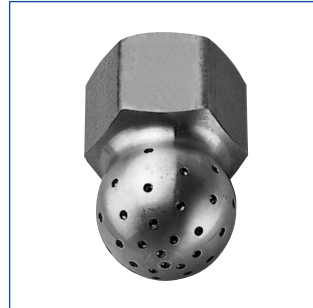
- Very compact static spray ball
- Sharp solids jets, excellent for rinsing small drums
- Also to use with saturated steam
- Nozzles 120° on request



Max. tank diameter:
1 – 3 m

Operating pressure:
1 – 3 bar

Max. Temperature:
200 °C

Materials:
Stainless steel AISI 303



Spray angle 	Ordering no. Type	B Ø [mm]	Flow rate [l/min] Δ p [bar]			
			0,5	2	5	40 psi [US gal./min]
	540.909.16	0,8	9,0	18,0	28,5	5,6
	540.989.16	1,0	14,0	28,0	44,3	8,7
	541.109.16	1,5	28,5	57,0	90,1	17,7
	541.189.16	2,0	45,0	90,0	142,3	27,9
	541.239.16	2,3	59,0	118,0	186,6	36,6

B = Bore diameter · NPT on request.

Series 591

- Popular sprayball design
- For higher flow rates
- corrosion resistant material
- Available in different sizes
- All materials are FDA-conform

Max. tank diameter:
1 – 5 m

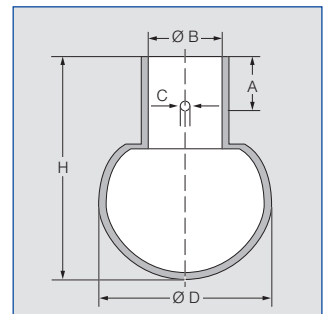
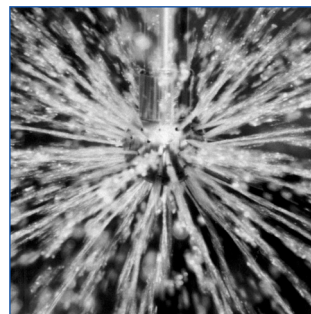
Operating pressure:
1 – 3 bar




Max. Temperature:
200 °C

Materials:

- Stainless steel AISI 316Ti
- Pin: Stainless steel AISI 316L

For additional spray angles and nozzle sizes please refer to our brochure »Tank Cleaning Nozzles«.



Spray angle 	Ordering no. Type	E Ø [mm]	Effective cleaning Ø [m]	Flow rate [l/min] Δ p [bar] (Δ p _{max} = 5 bar)					Dimensions approx. [mm]					
				0,5 bar	1,0 bar	2,0 bar	3,0 bar	40 psi [US gal./min]	Ø D	Length H	Con- nection B	Slip-on C	A	
	591.X11.17.00	1,2	0,5-1,0	25	35	49	61	15	24	37,5	12,2	DN10	2,2	9,0
	591.Y11.17.00	1,2	1-1,5	49	70	99	121	31	30	42	18,2	DN15	2,2	9,0
	591.A21.17.00	2,0	2-2,5	91	128	181	222	56	40	53	22,2	DN20	2,5	9,0
	591.B31.17.00	2,1	2,0-3,0	130	183	259	318	80	64	90	28,2	DN25	2,8	18,0
	591.B51.17.00	3,0	3,0-4,0	206	292	412	505	128	64	90	28,2	DN25	2,8	18,0
	591.A23.17.00	2,0	2,0-2,5	74	105	148	182	46	40	53	22,2	DN20	2,5	9,0
	591.B53.17.00	3,0	3,0-4,0	146	207	292	358	91	64	90	28,2	DN25	2,8	18,0
	591.B32.17.00	2,1	2,5-3,0	103	145	205	251	64	64	90	28,2	DN25	2,8	18,0
	591.D42.17.00	2,2	4,0-4,5	230	325	460	563	142	90	122	52,3	DN50	3,3	25,0

E = narrowest free cross section.

Higher pressure generally means higher wear and smaller droplets. This might have adverse effects on the cleaning result.

