



# Multi-channel flat fan nozzles

Series 600. 130 / 600. 484 / 600. 283 / 600. 493

Particularly silent !



600. 130. 56 (POM)



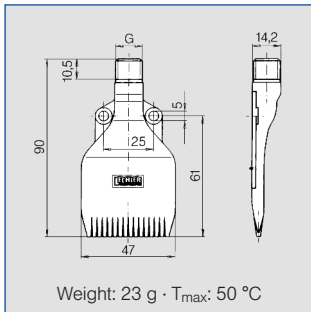
600. 484. 56 (POM)



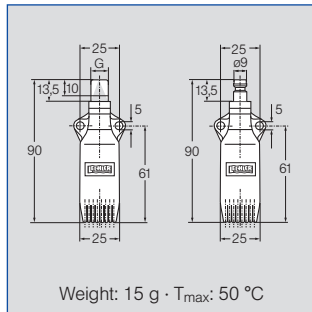
600. 283. 42 (AL)



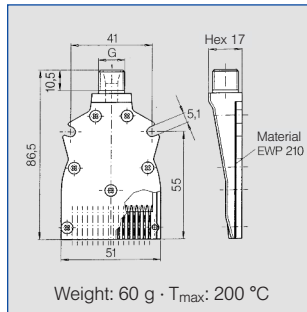
600. 493. 1Y (Stainless steel 316L)



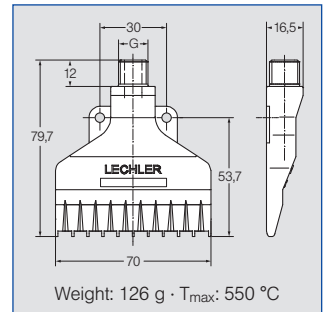
Weight: 23 g · T<sub>max</sub>: 50 °C



Weight: 15 g · T<sub>max</sub>: 50 °C



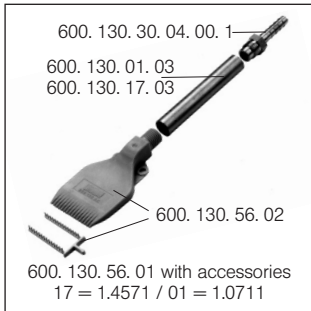
Weight: 60 g · T<sub>max</sub>: 200 °C



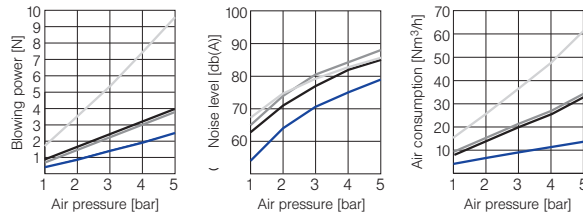
Weight: 126 g · T<sub>max</sub>: 550 °C

**Highly efficient air stream, acting upon areas. Reduced noise levels. Low air consumption.**

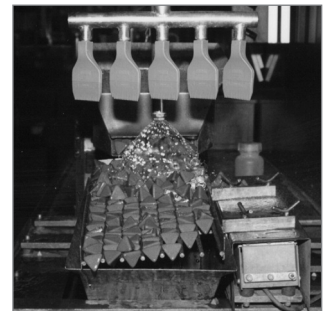
Applications:  
Blowing off and blowing out, cleaning, drying, cooling, conveying with air.



### Technical data



— Type 600. 130 — Type 600. 283 — Type 600. 484 — Type 600. 493



Ordering no.		Connection thread G	Accessories
Type	Code		
<b>600. 130. 56</b> (Material: POM)	AC	1/4" BSPP	
	02	1/4" BSPP	Plug
	01	1/4" BSPP	Plug Hose barb (D = 8 mm), Extension tube, steel (L = 85 mm)
<b>600. 484. 56</b> (Material: POM)	AC	1/4" BSPP	
	HG	M12 X 1,25	
	00	Quick release coupling	
<b>600. 283. 42</b> (Material: Aluminium)	AC	1/4" BSPP	
<b>600. 493. 1Y</b> (Material: Stainless steel 316L)	AC	1/4" BSPP	



For more information please ask for our special brochure »Nozzles and Accessories for Compressed Air«.

Example for ordering:	Type	+	Code	=	Ordering no.
	600. 130. 56	+	AC	=	600. 130. 56. AC

