

xFUME VAC ADVANCED

Powerful extraction system for up to two manual welding workstations.

Ideally suited for RAB GRIP HE fume extraction torches.

In combination with ABICOR BINZEL fume extraction torches, the mobile extraction system xFUME VAC ADVANCED extracts welding fumes directly where they arise.

- Particularly powerful thanks to high-vacuum technology with more than 16,000 PA negative pressure
- Adjustable air flow
- Two connections for extraction hoses
- For flexible and comfortable working at up to two workstations with one system
- Automatic filter cleaning by compressed air impulse
- Highly efficient thanks to the cartridge filter, which filters out up to 99.95 % of all dust > 0.1 µm
- Automatic start/stop via current clamp for reduced operating costs and less wear and tear
- Compact and robust design with castors for mobile use and easy transport



Technical details

Technical data

Description	Value
Engine performance	2 x 0,8 kW
Voltage	115 V 50 / 60 Hz 230 V 50 / 60 Hz
115 V	without plug
230 V	plug included
Cable length	5 m
Max. air flow	~ 340 m ³ /h
Max. vacuum	~ 16 000 PA
Noise level	68 dB (A)
Weight	40 kg

Filter

Type	Material	Surface	Filtermaterial classification	Efficiency
Cartridge filter	HISTec >> PTFE coated	2 x 0,8 m ²	H13	99,95%



xFUME VAC ADVANCED

Detail

Order information

Extraction unit xFUME VAC ADVANCED

Voltage	Order no.
230V 50/60Hz	601.0099.1
115V 50/60Hz	601.0100.1

Filter

Type	Order no.
Cartridge filter	601.0111.1

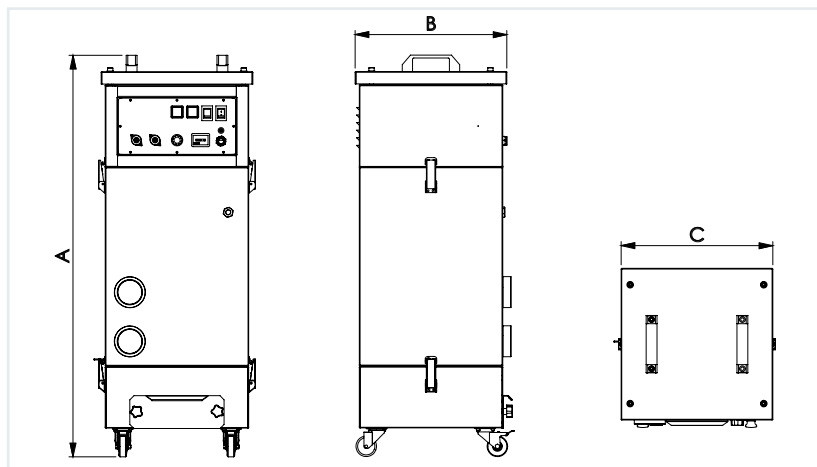
Engine

Voltage	Order no.
230 V	601.0109.1
115 V	601.0110.1

Carbon brush

Voltage	Order no.
230 V	601.0108.1
115 V	601.0118.1

Dimensions



Dimensions

Side	Size
A	940 mm
B	370 mm
C	370 mm

Further information



Explainer Video
now on YouTube.
Take a look!

ABICOR
BINZEL 



Alexander Binzel Schweisstechnik GmbH & Co. KG
Kiesacker · 35418 Buseck · GERMANY
T +49 64 08 / 59-0
F +49 64 08 / 59-191
info@binzel-abicor.com

www.binzel-abicor.com