

## FLEXEM——Resistive HMI 4000 Series

### Module: FE4043C

#### Overview

- Plastic enclosure, low cost, high reliability.
- The main board is treated with a special coating (three anti-paint) to adapt to harsh environment.
- High resolution, high brightness, LED backlight, more energy saving and environmental protection.
- The USB host port supports U disk to storage and download data.
- 2-way serial port, more powerful expansion function.
- New configuration software, rich library, powerful features.


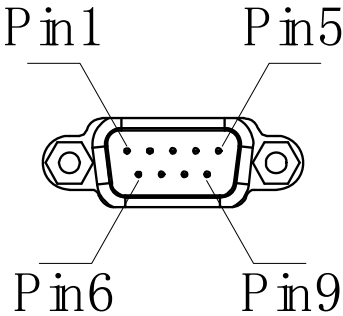


#### Appearance



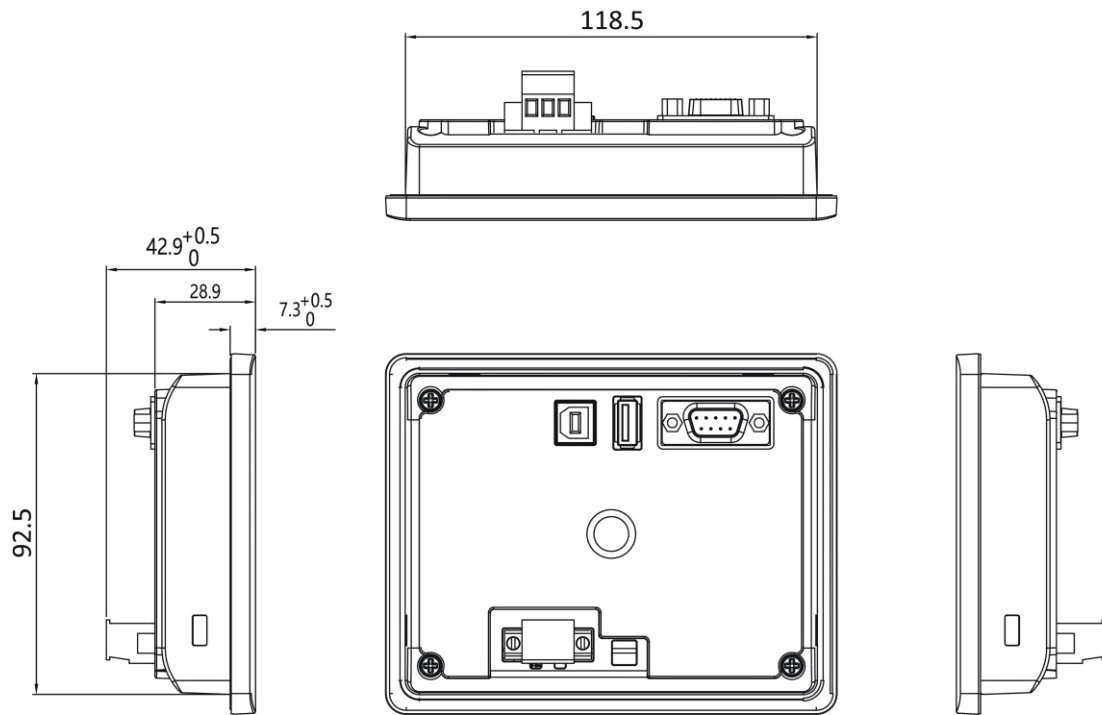
**Specifications**

Hardware Parameter	Display	4.3" 16:9 TFT LCD
	Resolution(WxH)	480×272
	Colors	24-bit
	Brightness	360 cd/m <sup>2</sup>
	Backlight	LED
	LCD Life	50000 hours
	Touch Panel	4 wires resistive touch screen
	CPU	600MHz ARM Cortex-A8
	Memory	128M Flash + 128M DDR3
	RTC	Built in
	Ethernet	NA
	USB Port	USB Slave 2.0 Port*1,USB Host 2.0 Port*1
	Download Project	USB Slave Port/U-disk
	COM Port	COM1: RS232/RS485/RS422 COM3: RS232
LCD viewing angle (T/B/L/R)	50'/70'/70'/70'	
Electrical Specifications	Power Consumption	< 5W
	Input Power	DC24V, Working range DC 9V~28V
	Power Protection	Protected from thunderstrike and surging
	Power Down Allowed	< 5mS
	CE & RoHS	Complied with EN61000-6-2:2005, N61000-6-4:2007, RoHS, Surge Immunity:±1KV, EFT:±2KV, ESD:4KV, Air:8KV
Environmental Specifications	Operating Temperature	0~50°C
	Storage Temperature	-20~60°C
	Anti-UV	Not suitable to work in strong ultraviolet light (such as direct sunlight)
	Operating Humidity	10~90%RH(no condensate)
	Vibration Endurance	10~25Hz (X,Y,Z direction 2G/30 minutes)
	Cooling	Natural air cooling
Mechanical Index	Degree of Protection	Front IP65 (with NEMA panel, Back IP20)
	Enclosure	Engineering plastic
	Panel Cutout	120mm×93mm
	Dimension	128mm×102mm×32mm
	Weight	About 300g

## Wiring definition

Power Terminal (Pin1~Pin3 from left to right)		
	Pin1	FG
	Pin2	0V
	Pin3	DC24V
DB9 Serial Terminal (Pin1~Pin9 from left to right)		
	Pin1	Rx-(B)
	Pin2	RxD (COM1 RS232)
	Pin3	TxD (COM1 RS232)
	Pin4	Tx-
	Pin5	GND
	Pin6	Rx+(A)
	Pin7	RxD (COM3 RS232)
	Pin8	TxD (COM3 RS232)
	Pin9	Tx+
USB Host		
	USB Type A	Used to connect U disk, scan code gun and other peripherals
USB Slave		
	Micro USB	Used to download programs and debug

Size FE4043C



Panel Cutout (W\*H):  
120.0mm\*93.0mm(+1.0mm/-0.0mm)

## Contact Us

---

### Shanghai (R&D Center)

Address Floor 11, Block B, INNO Center,  
No.298, Guoxia Road,  
Yangpu District, Shanghai

Telephone +86-21-68683993

Fax +86-21-65107569

### Suzhou

Address Room 915, Ricky Building  
No.668, Yuting Avenue,  
Suzhou Industrial Park

Telephone +86-512-69833996

### Shenzhen (Factory)

Address 5 th Floor, NO.2 Building, Lanyun  
Science Park, Tangtou Road,  
Shiyan Town, Baoan District,  
Shenzhen, China

Telephone +86-755-27610682

Fax +86-755-27629895

### Wuxi

Address Room 1603, Taihu Mingzhu  
Development Building, NO.1890  
Taihu West Road, Binhu Distric,  
Wuxi City

Telephone +86-18505101982

### Beijing

Address Room 2008, Building 1,NO.93  
Jianguo Road,  
Chaoyang District,  
Beijing (Wanda Plaza),China

Telephone +86-10-58204608

Fax +86-10-58204608

### Hangzhou

Address Floor 1, Unit LEO, Block ,  
Singapore Science Park,  
Road 6th, Xiasha Economic  
DevelopmentZone, Hangzhou